



US00D987742S

(12) **United States Design Patent** (10) **Patent No.:** **US D987,742 S**
Sun (45) **Date of Patent:** **** May 30, 2023**

(54) **DANCE BAR ASSEMBLY**

(71) Applicant: **Joy Sun**, Irvine, CA (US)

(72) Inventor: **Joy Sun**, Irvine, CA (US)

(**) Term: **15 Years**

(21) Appl. No.: **29/795,080**

(22) Filed: **Jun. 16, 2021**

(51) **LOC (14) Cl.** **21-02**

(52) **U.S. Cl.**
USPC **D21/679**

(58) **Field of Classification Search**
USPC D21/662, 679, 686, 691, 797, 800;

D25/65, 66, 68, 119, 126-129;
D6/300-304, 310, 312, 314, 664.1, 568;
D12/42, 49, 414

CPC . A63B 1/00; A63B 21/068; A63B 2208/0204;
A63B 23/1209; A63B 23/1218; A63B
23/1236; A63B 2210/50

See application file for complete search history.

(56) **References Cited**

U.S. PATENT DOCUMENTS

- 2,932,510 A * 4/1960 Kravitz A63B 3/00
482/17
- 3,323,767 A * 6/1967 Nissen A63B 71/0036
248/165
- 4,164,288 A * 8/1979 Okazaki F16B 7/1436
403/109.5
- D288,755 S * 3/1987 Schoenig D6/681.1
- D301,361 S * 5/1989 Harlan D21/691
- D346,081 S * 4/1994 Turner D6/681.1
- 5,536,222 A * 7/1996 Banda A63B 21/078
482/148
- D381,715 S * 7/1997 Reeder D21/691
- D387,180 S * 12/1997 Meadows D25/66
- D487,124 S * 2/2004 Toniolo D21/691
- D495,524 S * 9/2004 Harwanko D6/681.1
- 7,198,273 B1 * 4/2007 Advocate A63B 43/007
273/343

- D623,707 S * 9/2010 Ritchie D21/691
- D667,904 S * 9/2012 DeFrancisci D21/691
- 8,959,813 B2 * 2/2015 Denby G09F 15/0068
40/606.03
- D875,266 S * 2/2020 Qiu D24/213
- D961,025 S * 8/2022 Chen D21/691
- 2006/0100075 A1 * 5/2006 Harsh A63B 23/0405
482/142

(Continued)

FOREIGN PATENT DOCUMENTS

EM 000014246-0001 * 8/2003

OTHER PUBLICATIONS

Umeken Ballet Barre Portable Bar. Online, published date Dec. 17, 2019. Retrieved on Jan. 4, 2023 from URL: <https://www.amazon.com/dp/B082WVC5TF/>.*

(Continued)

Primary Examiner — Omeed Agilee

Assistant Examiner — David Truong

(74) *Attorney, Agent, or Firm* — Tommy S F Wang;
Wang IP Law Group, P.C.

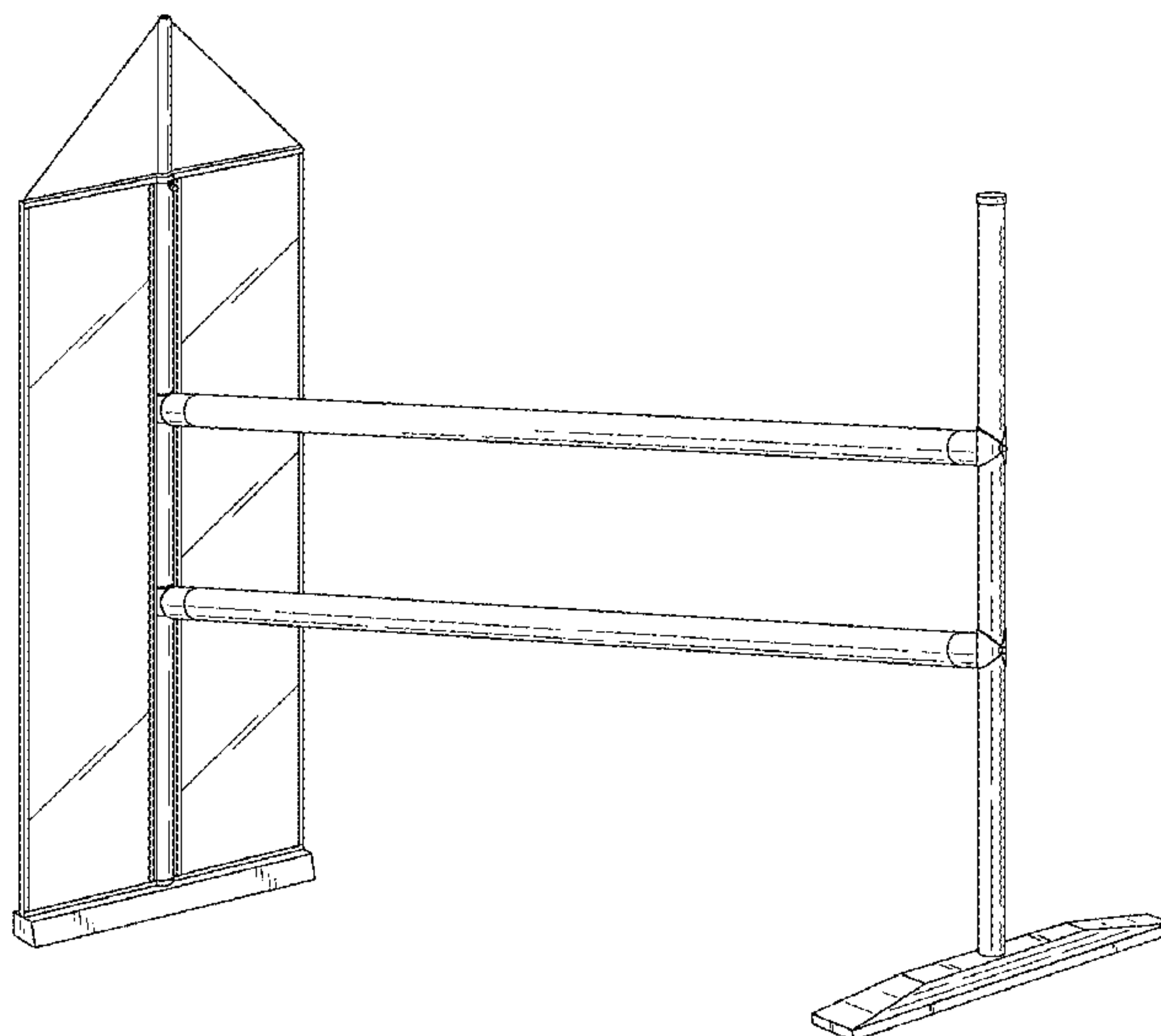
(57) **CLAIM**

The ornamental design for a dance bar assembly, as shown and described.

DESCRIPTION

FIG. 1 is a perspective view of a dance bar assembly showing my new design;
FIG. 2 is a front view thereof;
FIG. 3 is a rear view thereof;
FIG. 4 is a left side view thereof;
FIG. 5 is a right side view thereof;
FIG. 6 is a top view thereof; and,
FIG. 7 is a bottom view thereof.

1 Claim, 6 Drawing Sheets



(56)

References Cited

U.S. PATENT DOCUMENTS

2009/0023566 A1* 1/2009 Florczak A63B 21/4035
482/142

OTHER PUBLICATIONS

Umeken Ballet Barre Portable Bar. Online, published date May 13, 2019. Retrieved on Jan. 4, 2023 from URL: <https://www.amazon.com/ZELUS-Portable-Freestanding-Adjustable-Stretching/dp/B07RQKJ64R/>.*

* cited by examiner

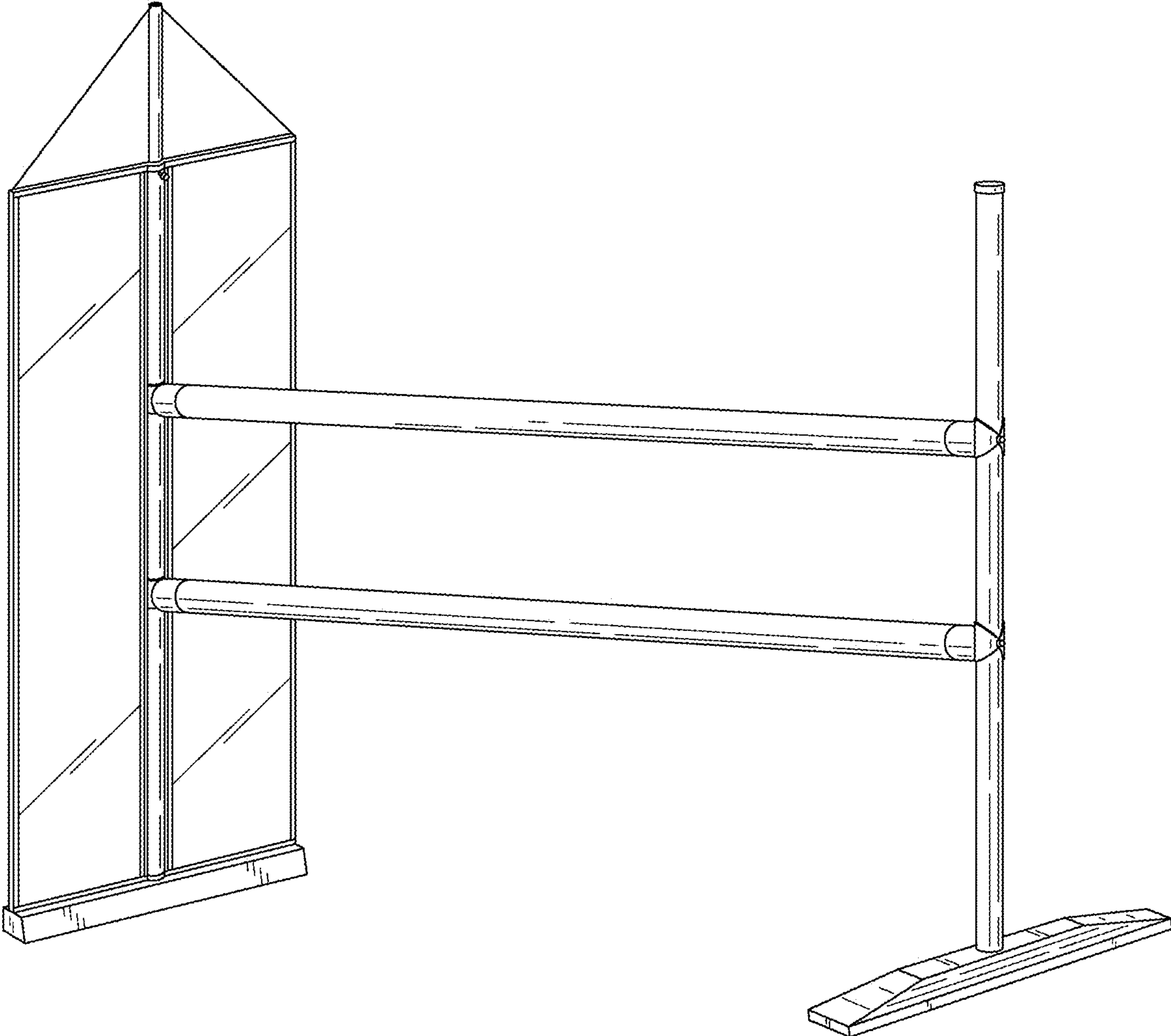


FIG. 1

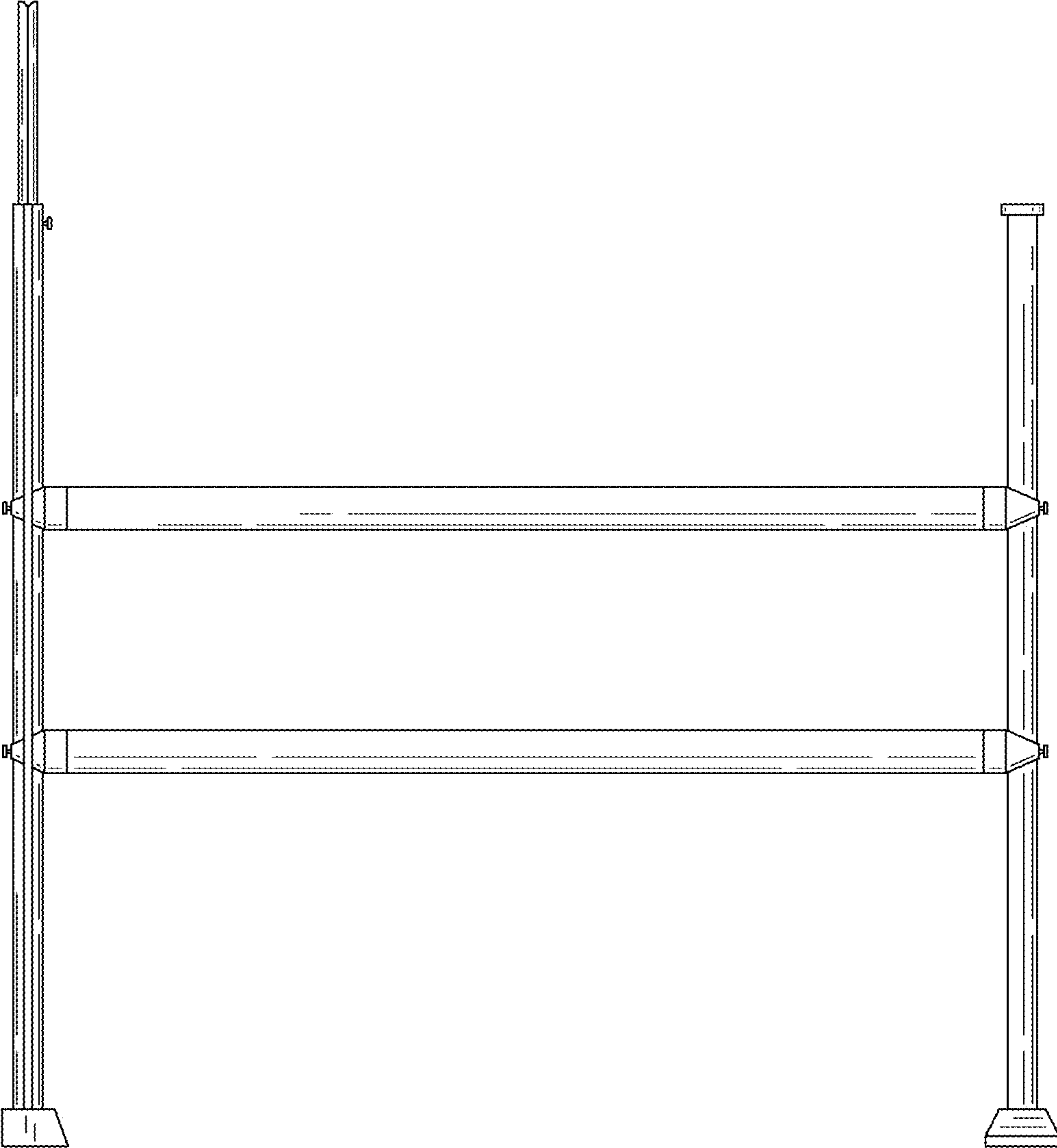


FIG. 2

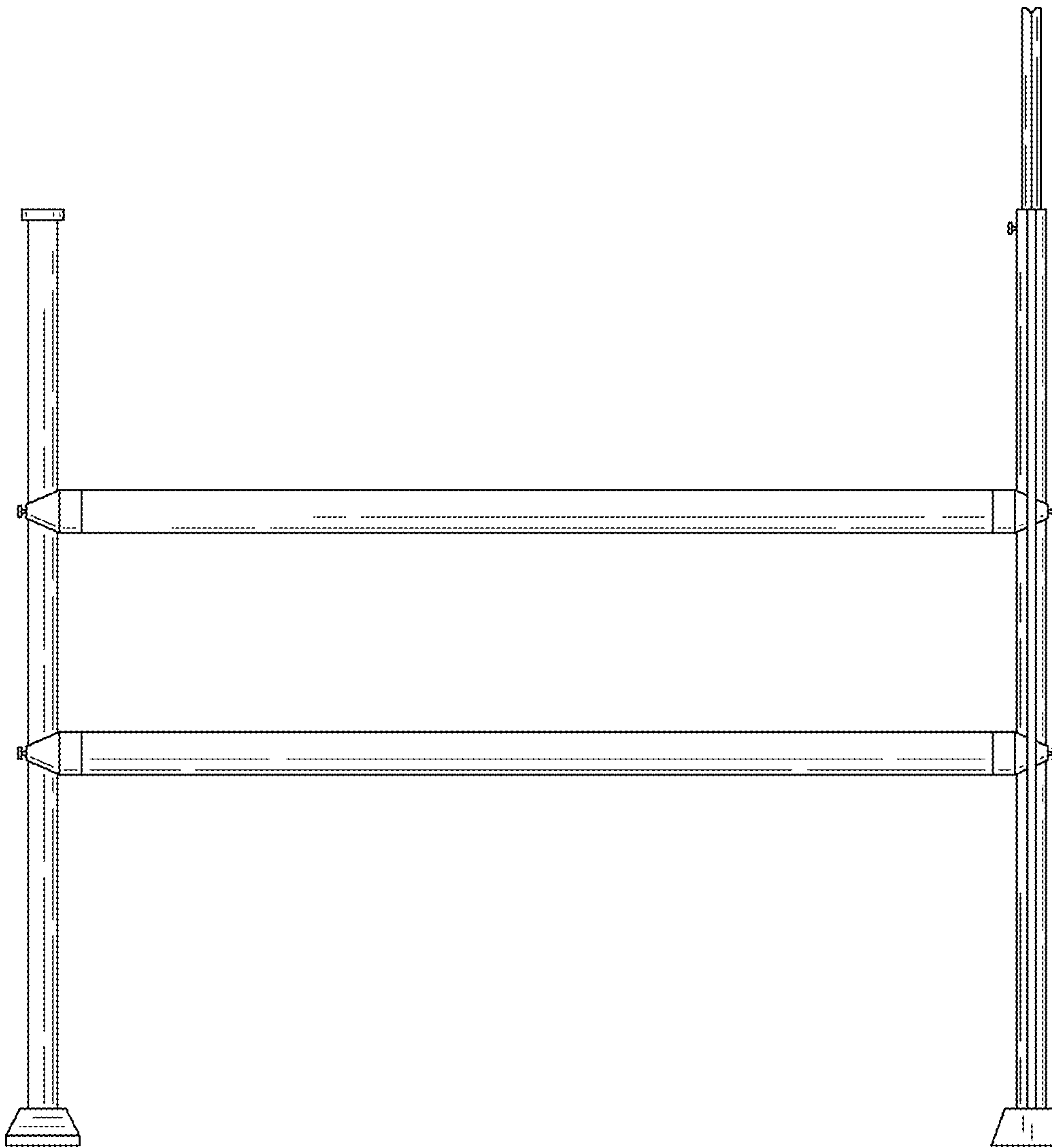


FIG. 3

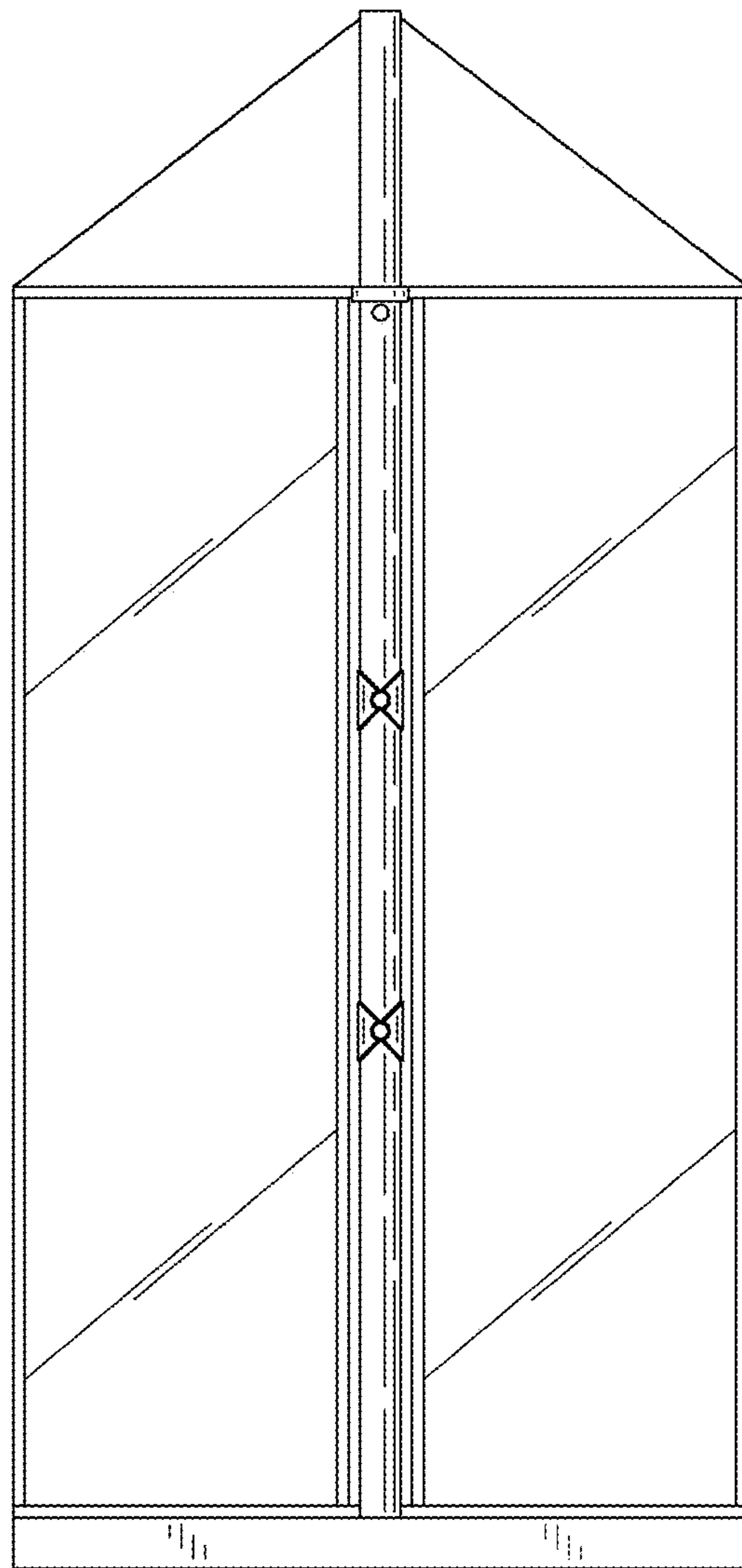


FIG. 4

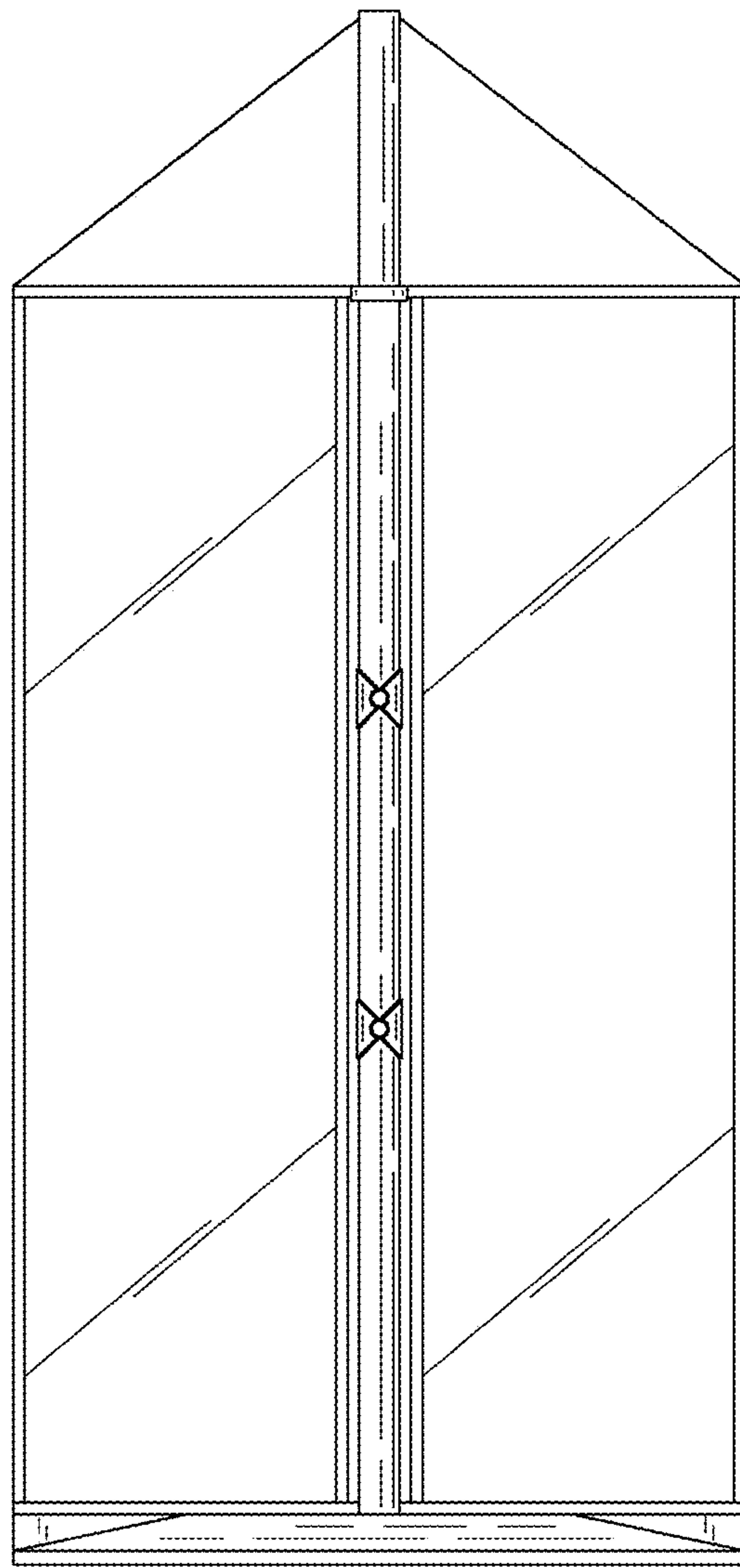


FIG. 5

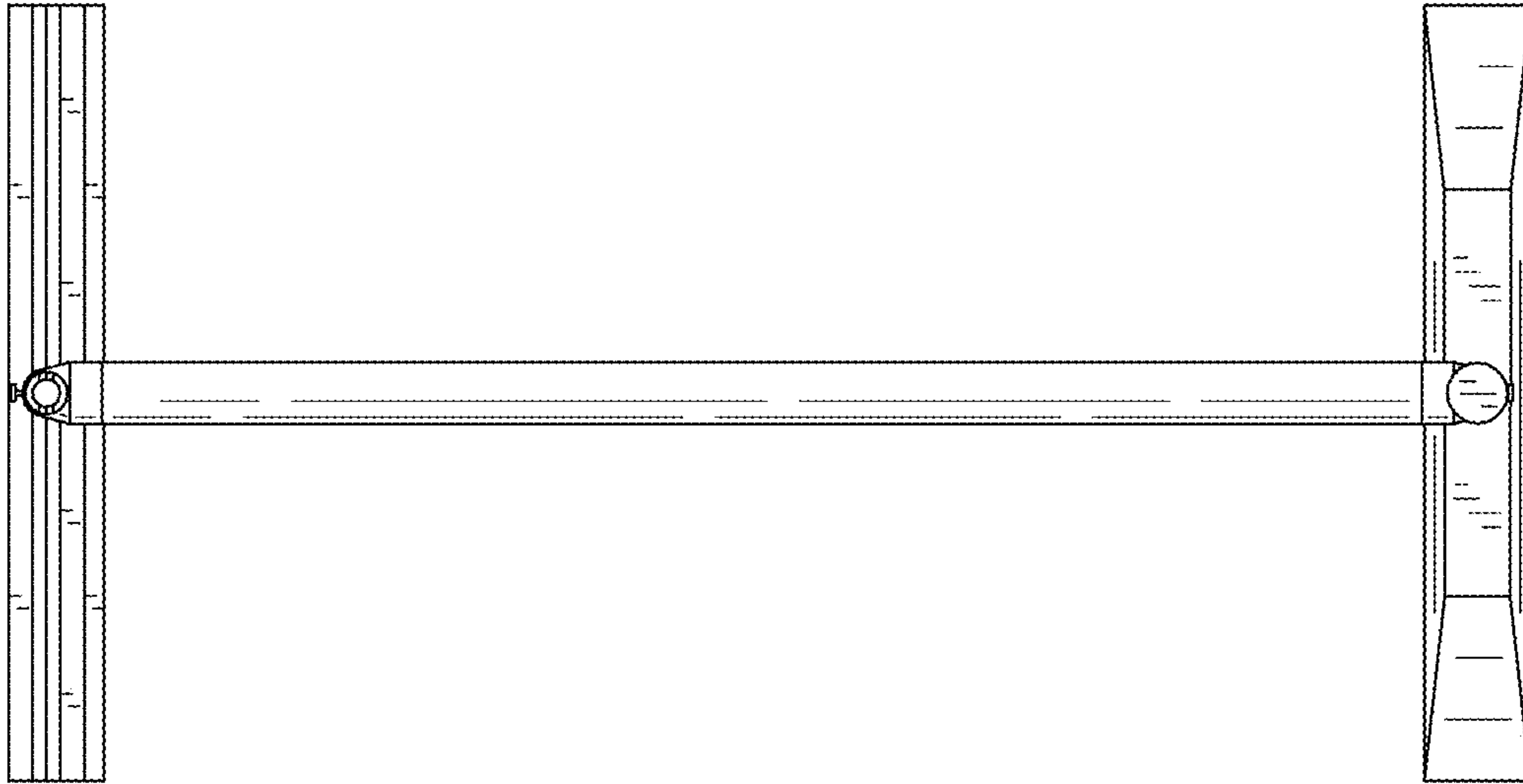


FIG. 6

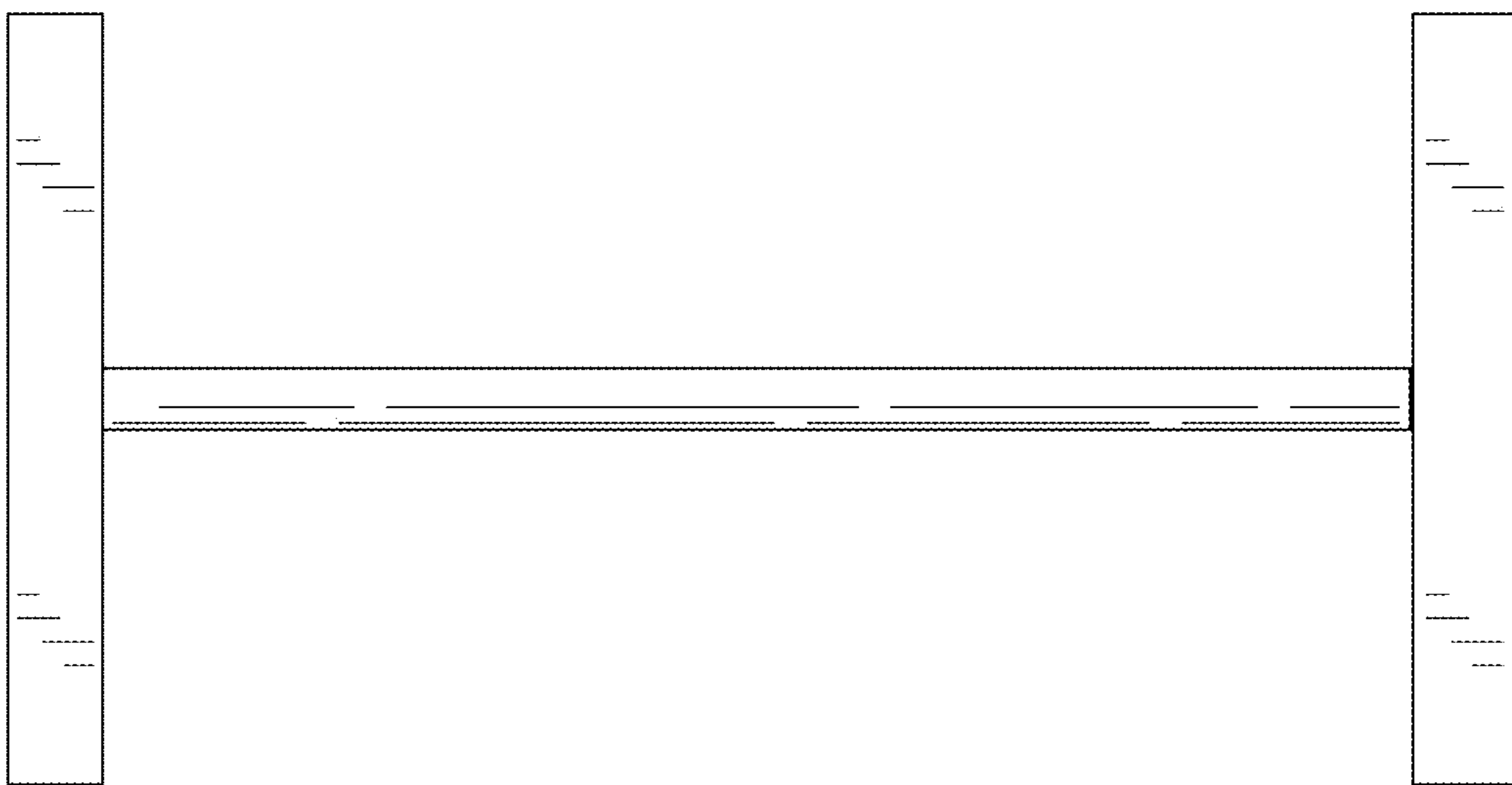


FIG. 7