



US00D987735S

(12) **United States Design Patent** (10) **Patent No.:** **US D987,735 S**
Dong (45) **Date of Patent:** **** May 30, 2023**

(54) **TOY GUN**

OTHER PUBLICATIONS

(71) Applicant: **Shenzhen Juhuo Trading Co., Ltd.**,
Guangdong (CN)

Amazon Website, Electric Gel Ball Blaster, Earliest comment date:
May 17, 2021, [Website Visited on Sep. 16, 2022], Available on the
internet URL <https://www.amazon.com/Electric-Blaster-Magazines-Automatic-Manual/dp/B09ZP6KQ75/?th=1> (Year: 2021).*

(72) Inventor: **Jiangbin Dong**, Fujian (CN)

(Continued)

(**) Term: **15 Years**

Primary Examiner — S. Bryan Reinholdt, Jr.

(21) Appl. No.: **29/839,886**

Assistant Examiner — James T Tyree

(22) Filed: **May 24, 2022**

(74) *Attorney, Agent, or Firm* — Che-Yang Chen; Law
Office of Michael Chen

(51) **LOC (14) Cl.** **21-01**

(52) **U.S. Cl.**

USPC **D21/573**; D21/572; D21/574; D21/575

(58) **Field of Classification Search**

USPC D21/572, 573, 574, 567, 333, 570, 401;
D14/418; D22/100, 103, 104

CPC A63H 5/04; F41B 7/003; F41B 11/00

See application file for complete search history.

(57) **CLAIM**

The ornamental design for a toy gun, as shown and
described.

(56) **References Cited**

DESCRIPTION

U.S. PATENT DOCUMENTS

D418,896 S *	1/2000	Shipley	D22/100
D667,072 S *	9/2012	Kriegleder	D22/103
D738,965 S *	9/2015	Yang	D21/570
D739,479 S *	9/2015	Yang	D21/570
D864,336 S *	10/2019	Simek	D21/573
D868,190 S *	11/2019	Laney	D21/573
D903,032 S *	11/2020	Swoboda	D21/573
D916,224 S *	4/2021	Laney	D21/573
D947,291 S	3/2022	Wu		
D948,634 S	4/2022	Lin		
2008/0187888 A1 *	8/2008	Jones	F41A 33/02 434/21
2014/0096757 A1 *	4/2014	Larmer	F41B 11/00 124/73
2018/0202753 A1 *	7/2018	Willson	F41B 11/55

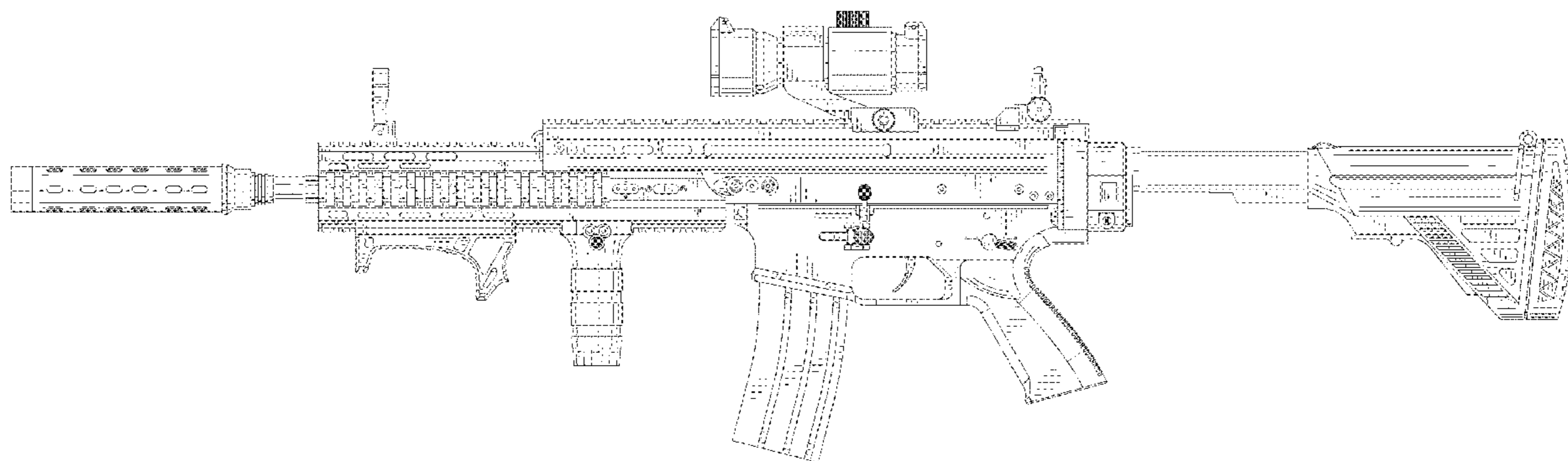
FOREIGN PATENT DOCUMENTS

CN	301982256	*	7/2012
CN	303533125	*	12/2015

FIG. 1 is a perspective view of the toy gun showing my new
design;
FIG. 2 is a perspective view thereof from another angle;
FIG. 3 is a front elevational view thereof;
FIG. 4 is a rear elevational view thereof;
FIG. 5 is a left side elevational view thereof;
FIG. 6 is a right side elevational view thereof;
FIG. 7 is a top plan view thereof;
FIG. 8 is a bottom plan view thereof;
FIG. 9 is an enlarged view of a portion indicated with
numeric 9 in FIG. 1; and,
FIG. 10 is an enlarged view of a portion indicated with
numeric 10 in FIG. 1.

The evenly spaced broken lines depict portions of the toy
gun that form no part of the claimed design. The dot dash dot
broken lines depict the boundaries of the detailed enlarge-
ments that form no part of the claimed design.

1 Claim, 10 Drawing Sheets



(56)

References Cited

OTHER PUBLICATIONS

Amazon Website, Bubble Gun, Earliest comment date: May 28, 2021, [Website Visited on Sep. 16, 2022], Available on the internet URL <https://www.amazon.com/JOYIN-Blaster-Solution-Batteries-Activity/dp/B08TM1B4PL/> (Year: 2021).*

Amazon Website, Toy Gun, Earliest comment date: Nov. 10, 2021, [Website Visited on Sep. 16, 2022], Available on the internet URL <https://www.amazon.com/Introducing-Shooting-Customized-Magazines-Automatic/dp/B09GXTFB18/> (Year: 2021).*

* cited by examiner

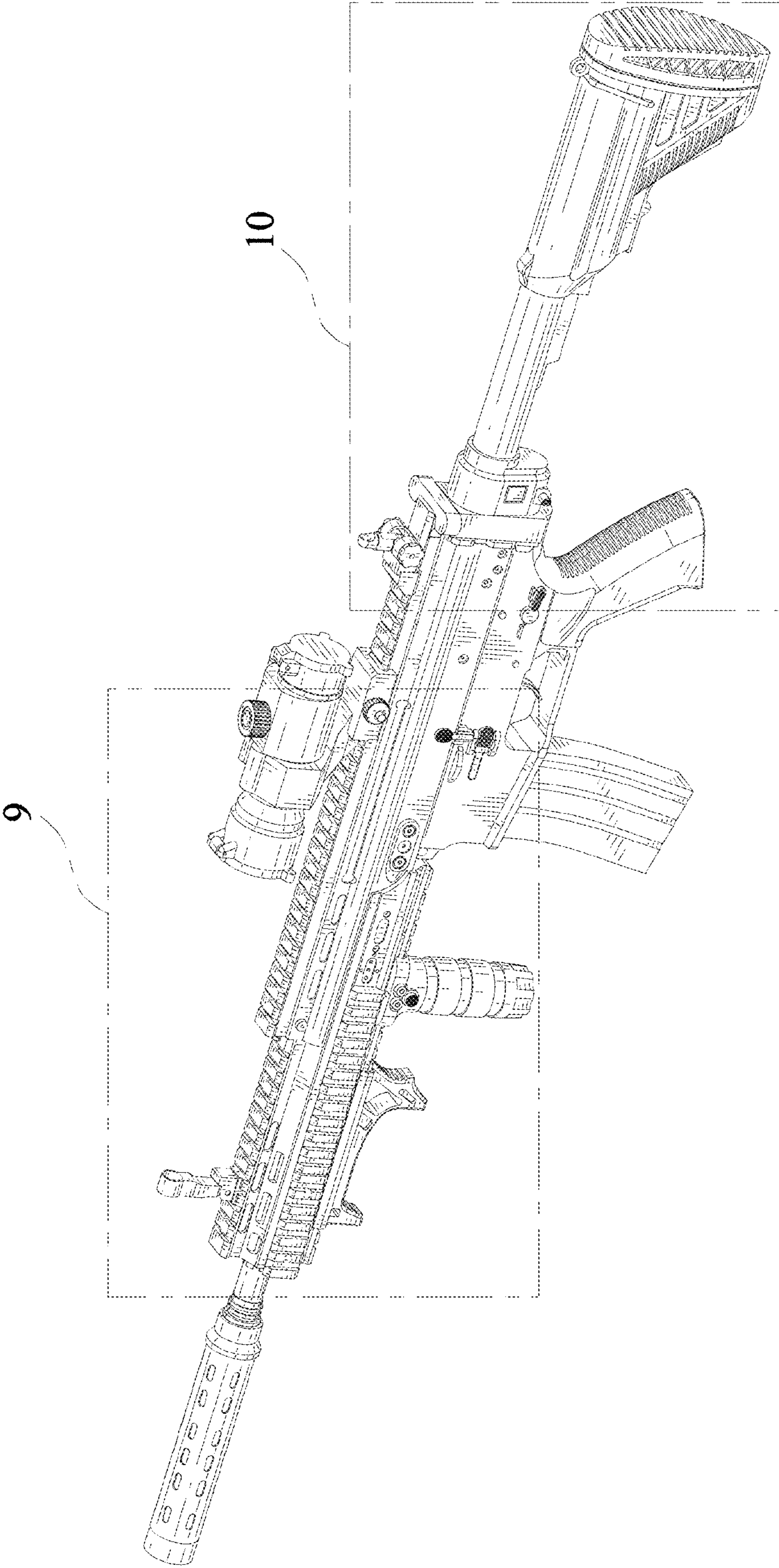


FIG. 1

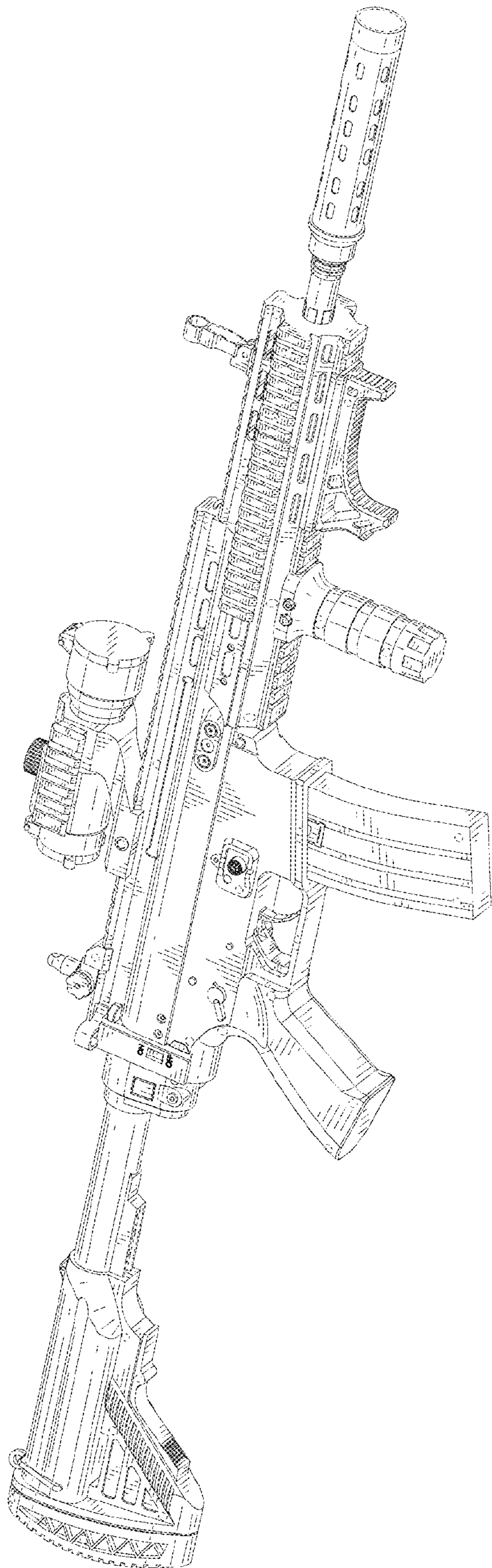


FIG. 2

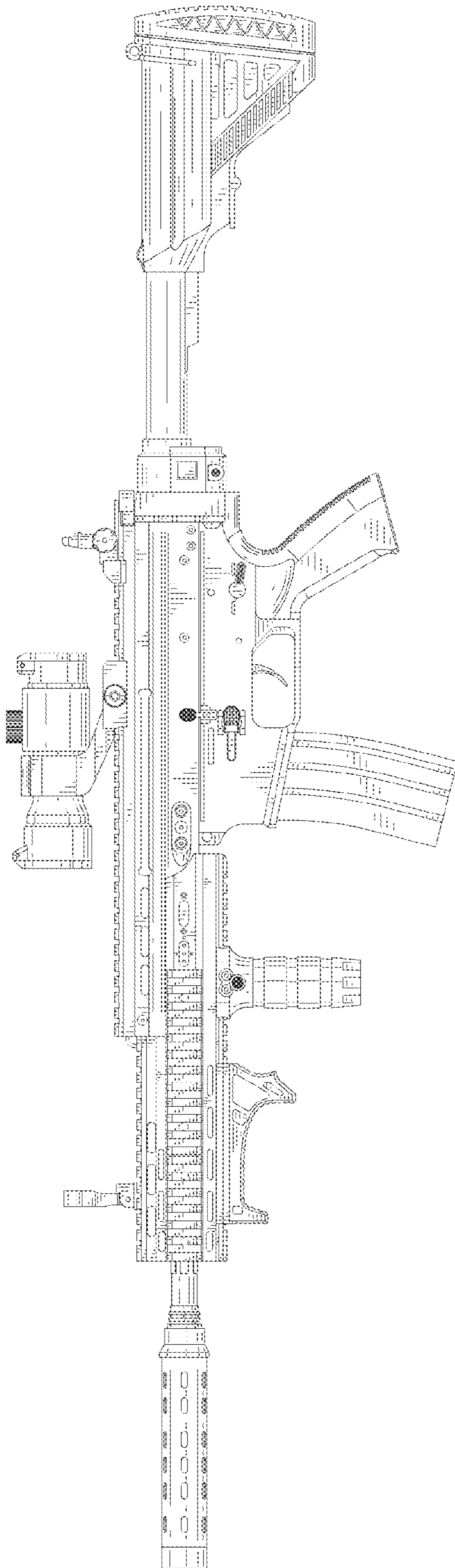


FIG. 3

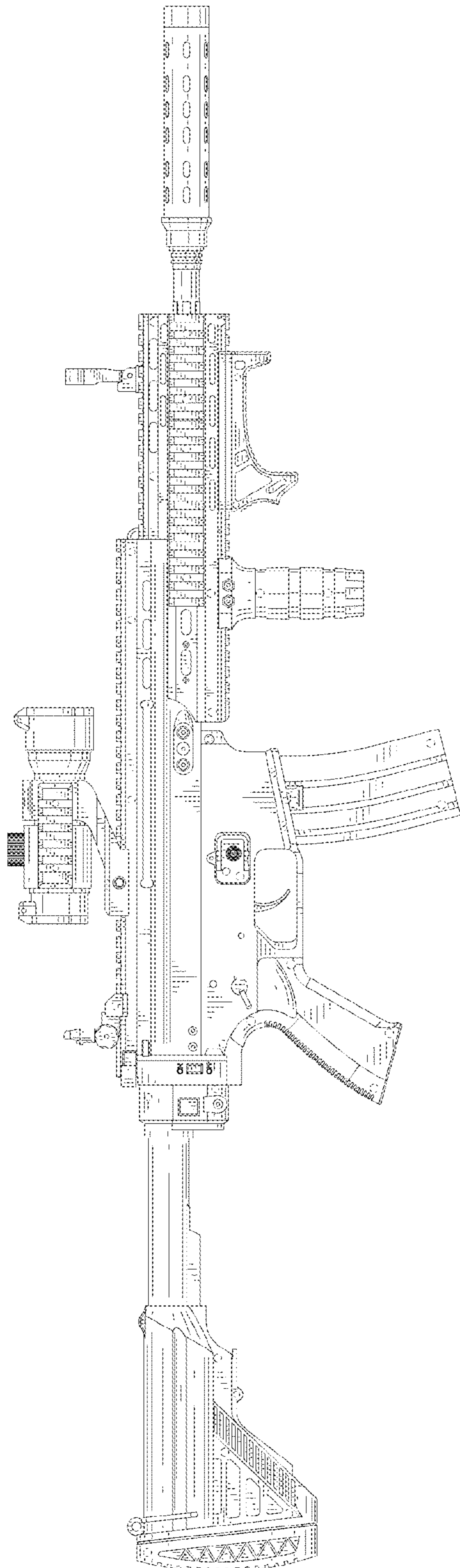


FIG. 4

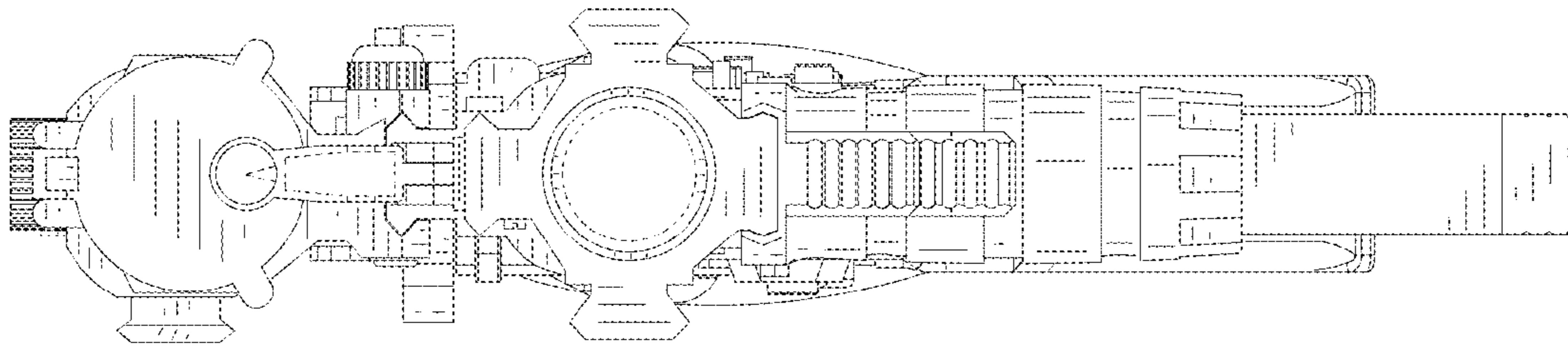


FIG. 5

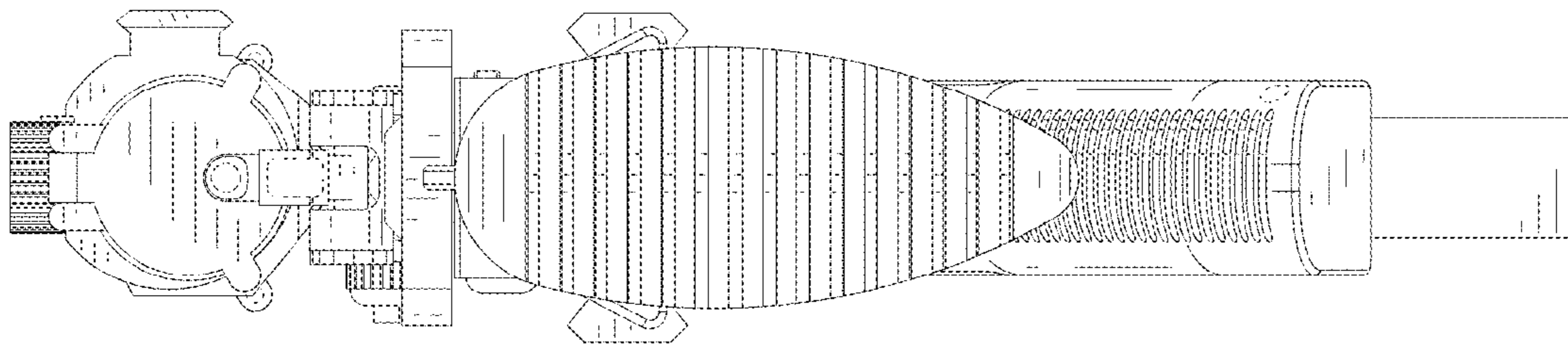


FIG. 6

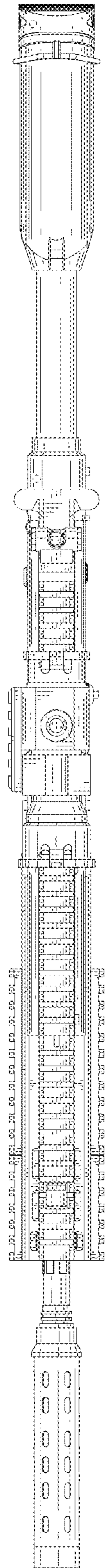


FIG. 7

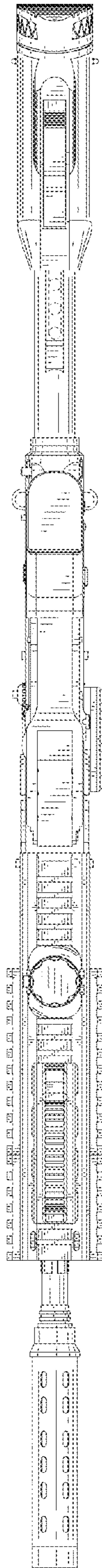


FIG. 8

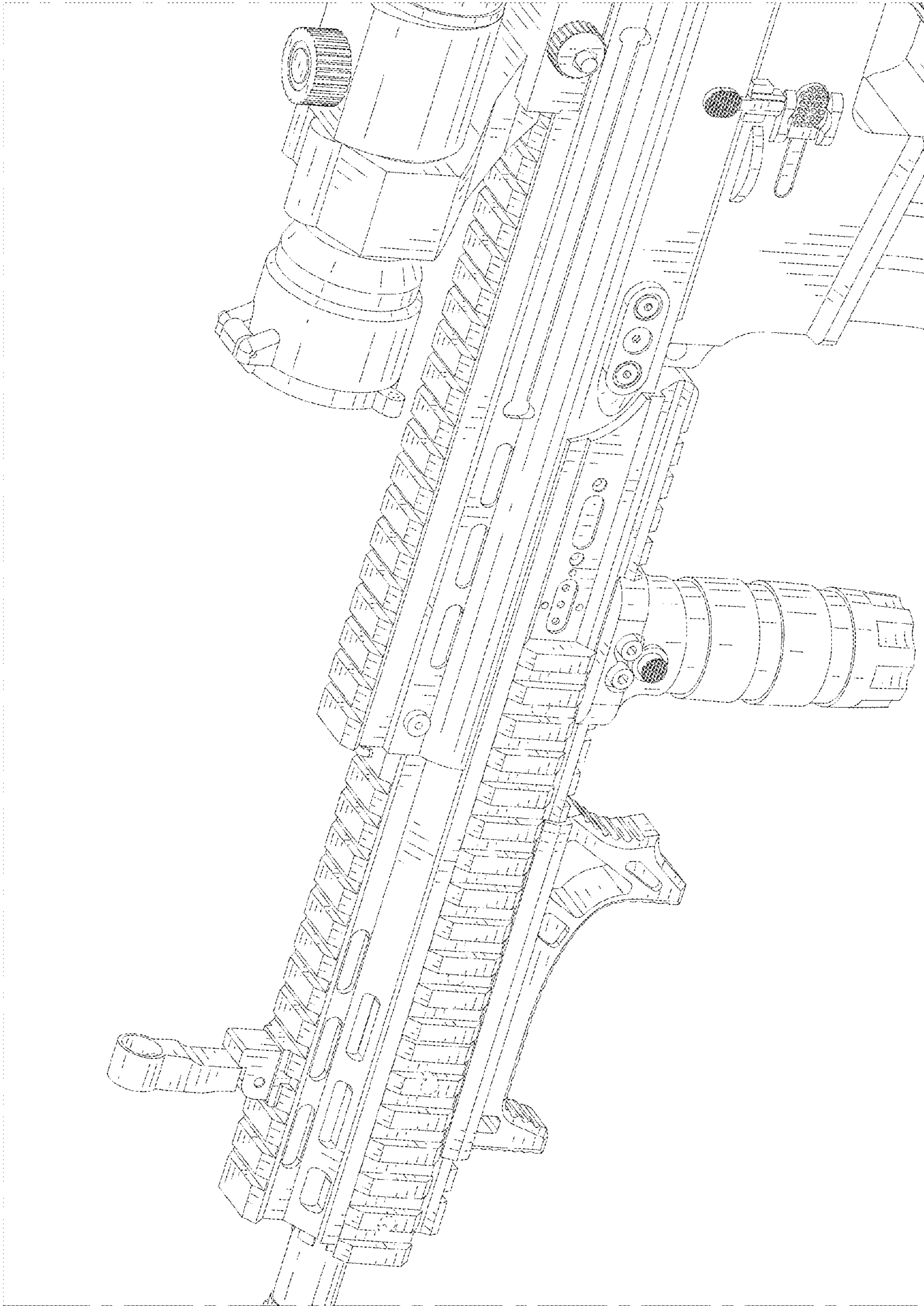


FIG. 9

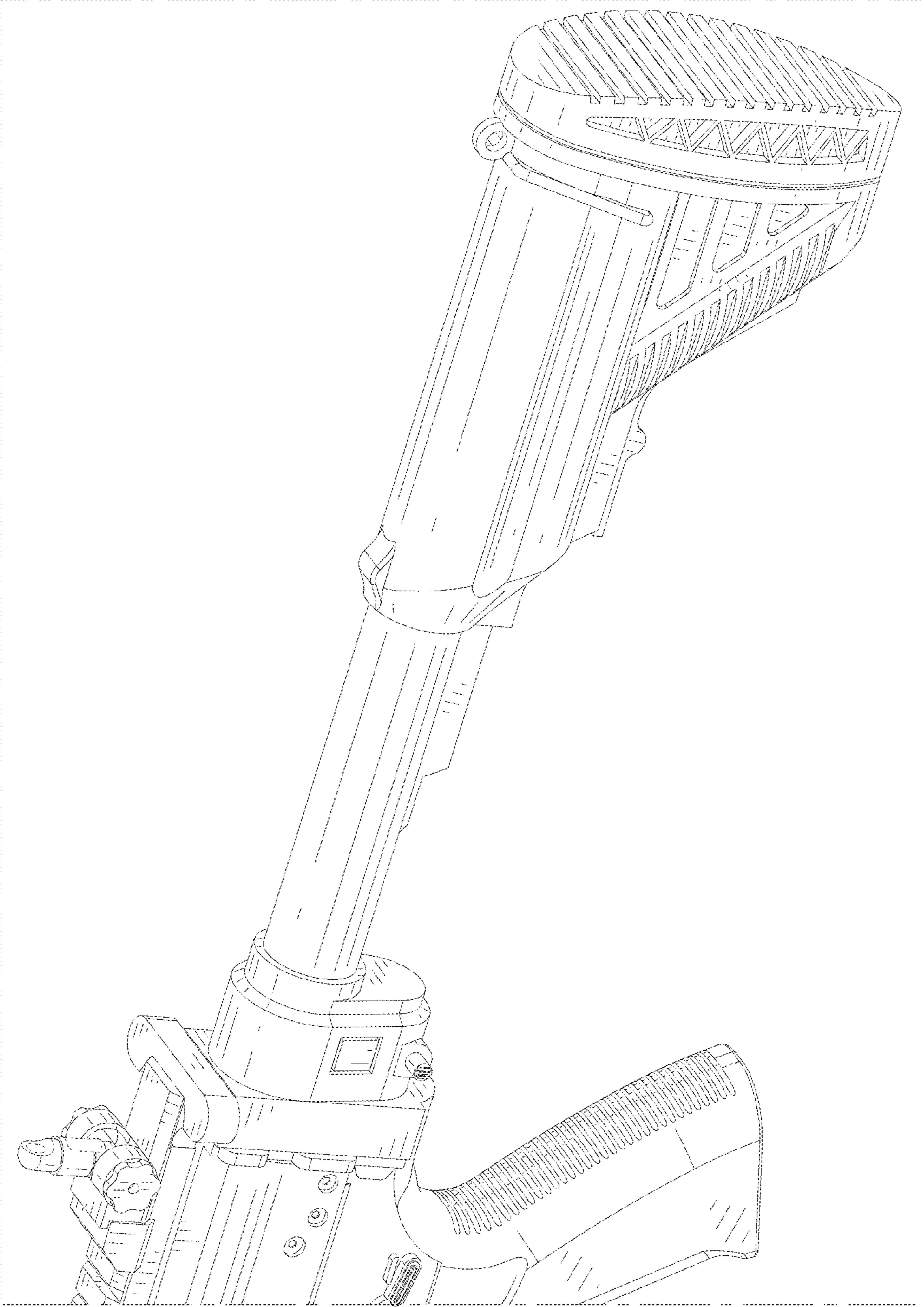


FIG. 10