



US00D987734S

(12) **United States Design Patent**  
**Liao**

(10) **Patent No.:** **US D987,734 S**

(45) **Date of Patent:** **\*\* May 30, 2023**

(54) **LIGHT SABER TOY**

(71) Applicant: **Guosheng Liao**, Shenzhen (CN)

(72) Inventor: **Guosheng Liao**, Shenzhen (CN)

(\*\*) Term: **15 Years**

(21) Appl. No.: **29/796,813**

(22) Filed: **Jun. 28, 2021**

(51) **LOC (14) Cl.** ..... **21-01**

(52) **U.S. Cl.**

USPC ..... **D21/567**; D21/568

(58) **Field of Classification Search**

USPC .... D21/568, 567, 483, 725; D26/43, 32, 42;  
D22/118, 117

CPC ..... A63H 37/00; A63H 33/009; A63H 33/02

See application file for complete search history.

(56) **References Cited**

**U.S. PATENT DOCUMENTS**

D255,590 S *	6/1980	Berling	.....	D24/119
D256,485 S *	8/1980	McQuarrie	.....	D21/568
D332,296 S *	1/1993	Siddle	.....	D22/117
D425,144 S *	5/2000	McGaffigan	.....	D21/567
D521,168 S *	5/2006	Waters	.....	D26/42
7,261,456 B2 *	8/2007	Liu	.....	F21L 4/00
				362/555
D603,464 S *	11/2009	Roos	.....	D21/567
11,484,810 B2 *	11/2022	Faivre	.....	A63H 33/22

(Continued)

**FOREIGN PATENT DOCUMENTS**

CN	303979799	*	12/2016
CN	305716937	*	4/2020
CN	307671515	*	11/2022

**OTHER PUBLICATIONS**

Amazon Website, Kenpora Light Saber, Earliest Comment Date: Jan. 31, 2022[Website Visited Dec. 9, 2022], Available on the Internet URL <https://www.amazon.com/Expandable-Halloween-Christmas-Fighters-Warriors/dp/B09P8HG5GG/> (Year: 2022).\*

(Continued)

*Primary Examiner* — S. Bryan Reinholdt, Jr.

*Assistant Examiner* — James T Tyree

(57) **CLAIM**

The ornamental design for a light saber toy, as shown and described.

**DESCRIPTION**

FIG. 1 is a first perspective view of a light saber toy showing the claimed design in accordance with the present disclosure;

FIG. 2 is a second perspective view thereof;

FIG. 3 is a front elevational view thereof;

FIG. 4 is a rear elevational view thereof;

FIG. 5 is a left side elevational view thereof;

FIG. 6 is a right side elevational view thereof;

FIG. 7 is a top plan view thereof;

FIG. 8 is a bottom plan view thereof;

FIG. 9 is an enlarged view of FIG. 7;

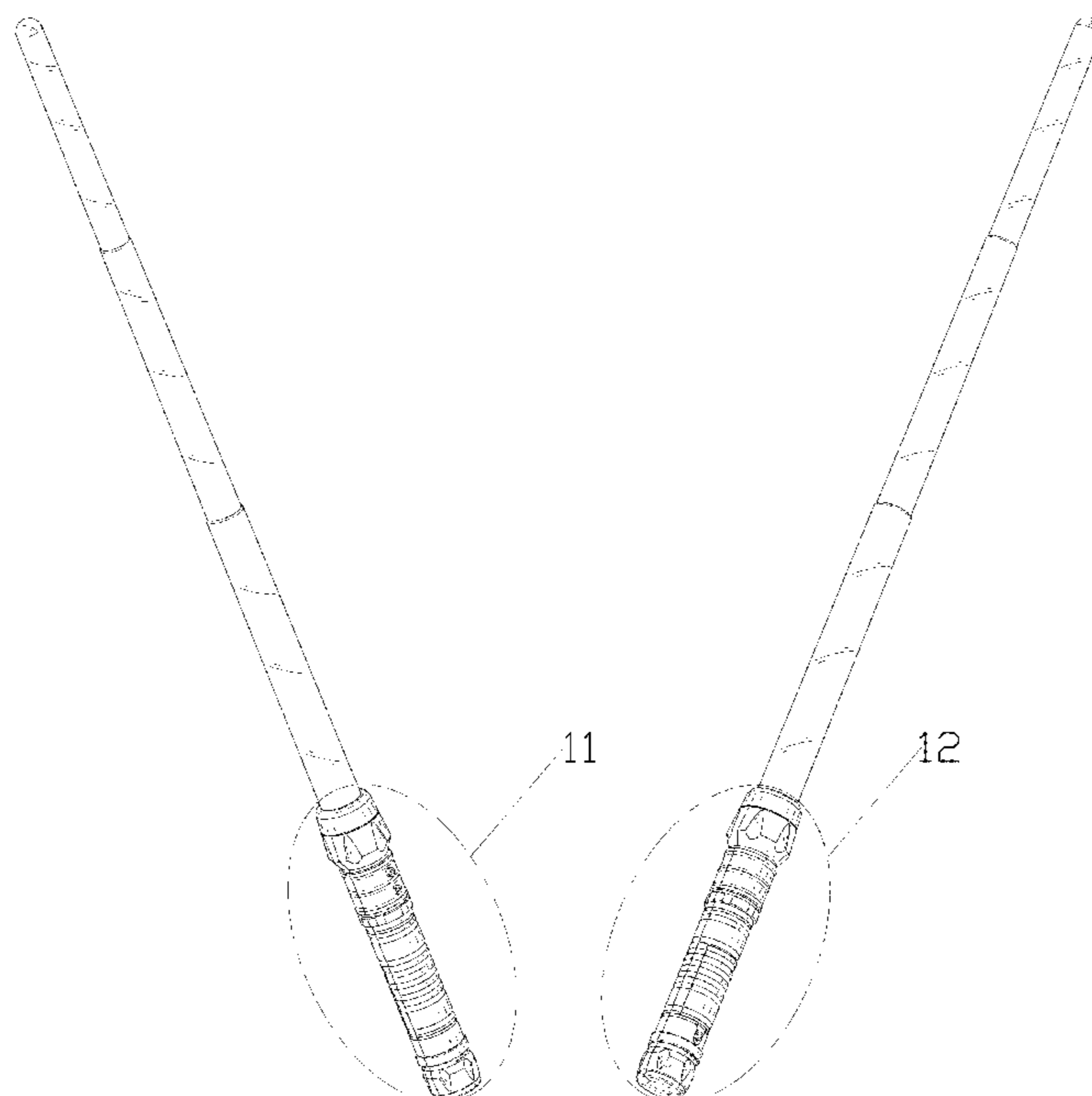
FIG. 10 is an enlarged view of FIG. 8;

FIG. 11 is an enlarged view of an encircle portion 11 in FIG. 1; and,

FIG. 12 is an enlarged view of an encircle portion 12 in FIG. 2.

The broken lines in the Figures are for the purpose of illustrating portions of the article that form no part of the claimed design. The dash-broken lines encircling portions of the claimed design that are illustrated in enlargements form no part of the claimed design.

**1 Claim, 12 Drawing Sheets**



(56)

**References Cited**

U.S. PATENT DOCUMENTS

2001/0024973 A1\* 9/2001 Meredith ..... A63F 13/245  
463/36  
2007/0270077 A1\* 11/2007 Woodhouse ..... A63H 33/009  
446/473  
2008/0016699 A1\* 1/2008 Chang ..... F41B 13/04  
30/151  
2022/0001291 A1\* 1/2022 Faivre ..... A63H 33/009

OTHER PUBLICATIONS

Amazon Website, Feroxo Light Sabers For Kids, Earliest Comment Date: Sep. 10, 2019 [Website Visited Dec. 9, 2022], Available on the Internet URL <https://us.amazon.com/Sensitive-Realistic-Expandable-Halloween-Fighters/dp/B07V7DHB64/> (Year: 2022).\*

Amazon Website, Solizan Light Up Saber, Earliest Comment Date: Dec. 9, 2021 [Website Visited Dec. 9, 2022], Available on the Internet URL <https://www.amazon.com/Realistic-Expandable-Fighters-Warriors-Halloween/dp/B09LTWKVSR/> (Year: 2021).\*

\* cited by examiner

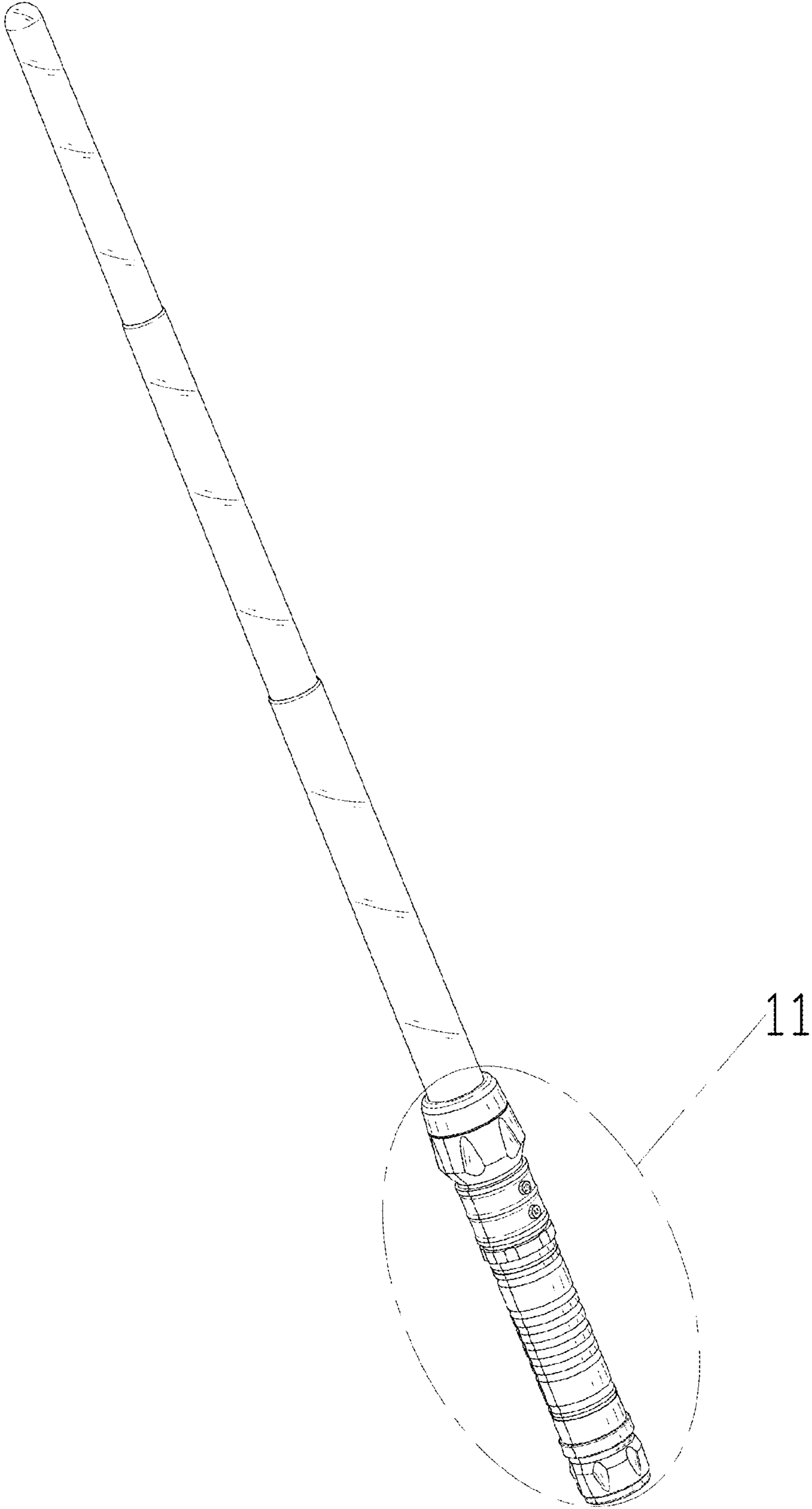


FIG. 1

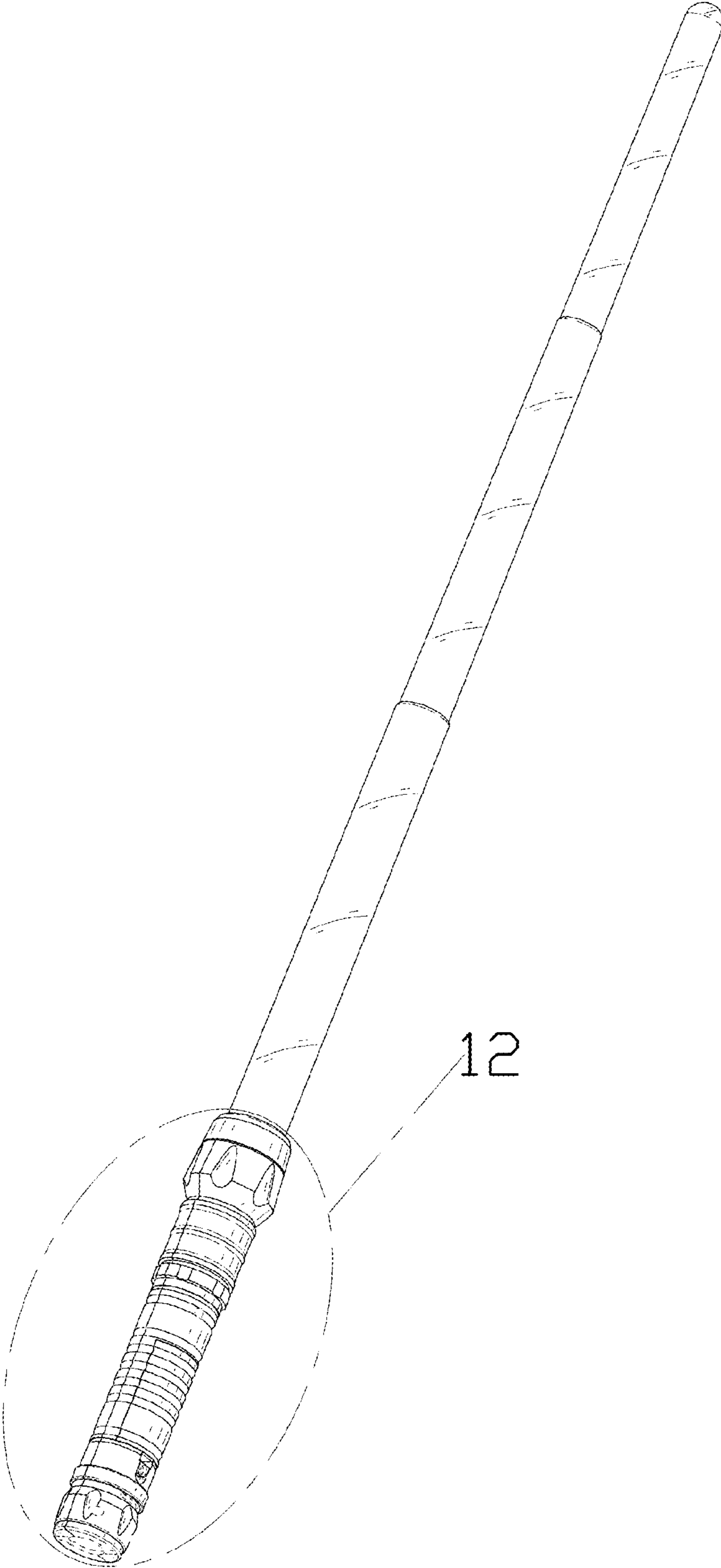


FIG. 2

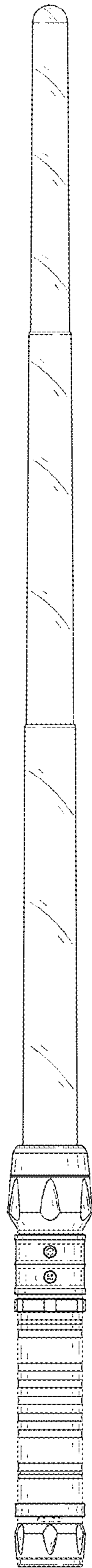


FIG. 3



FIG. 4

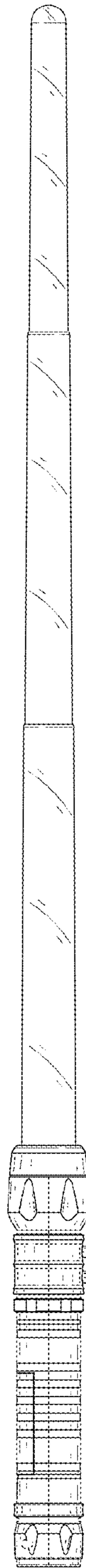


FIG. 5

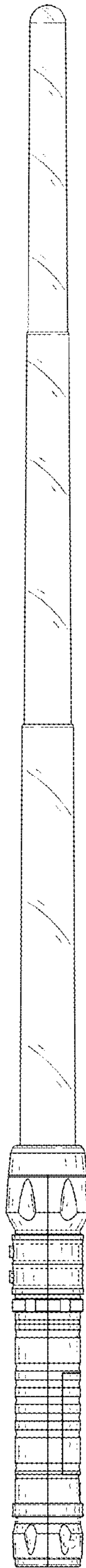


FIG. 6



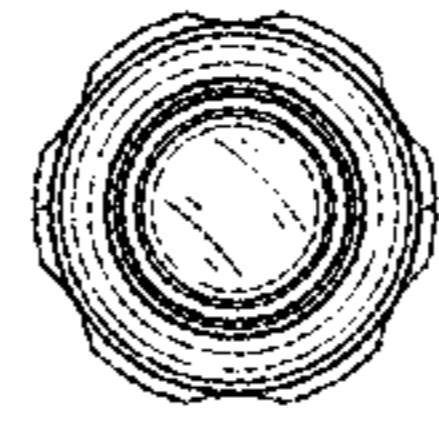


FIG. 7

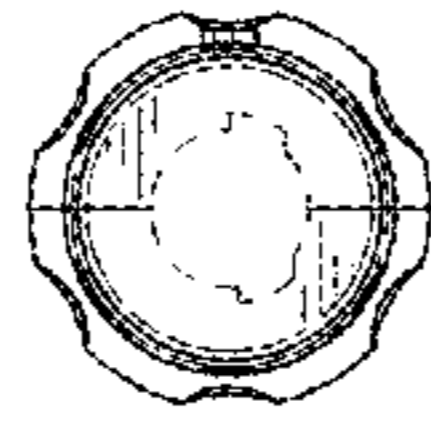


FIG. 8

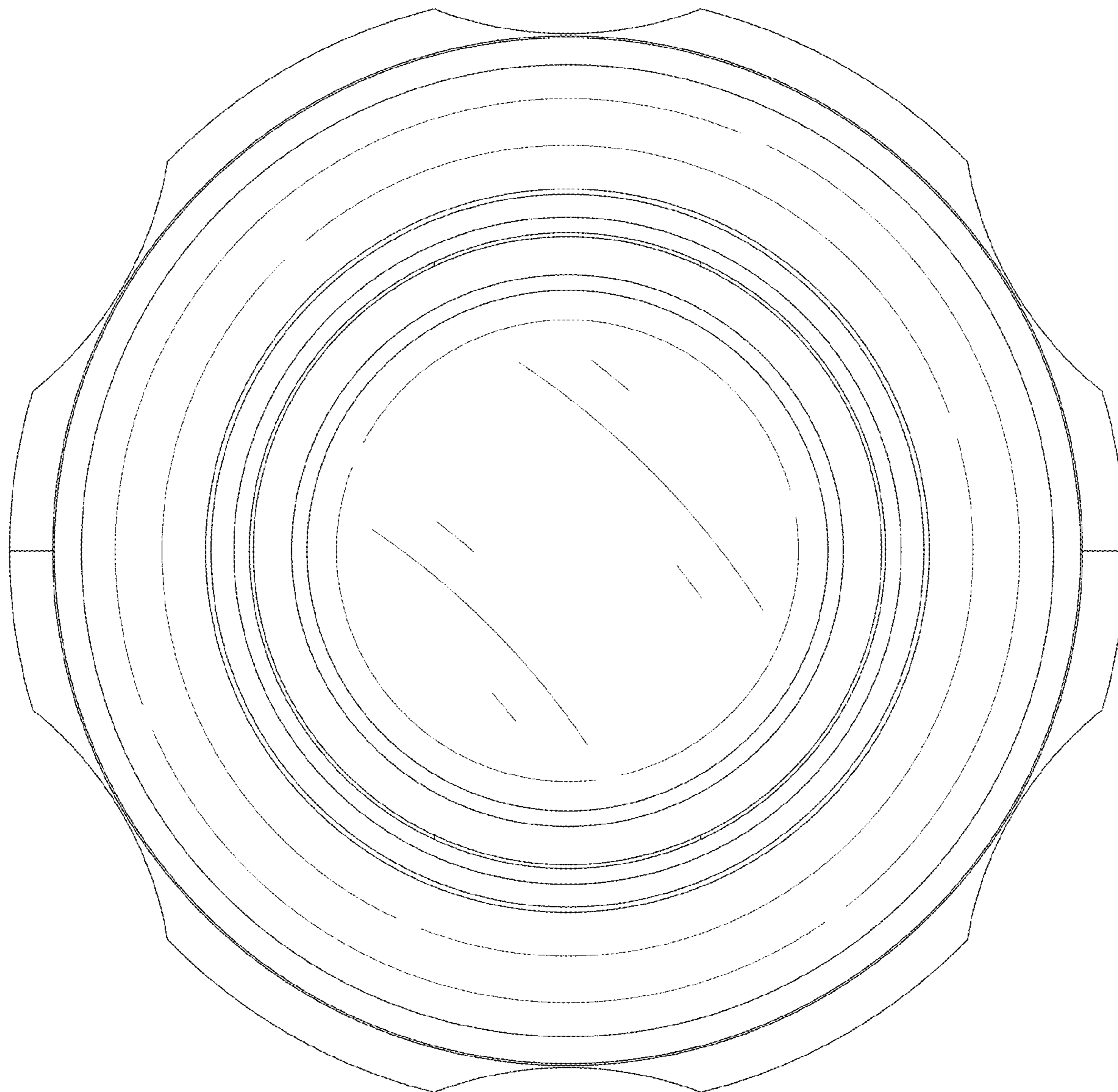


FIG. 9

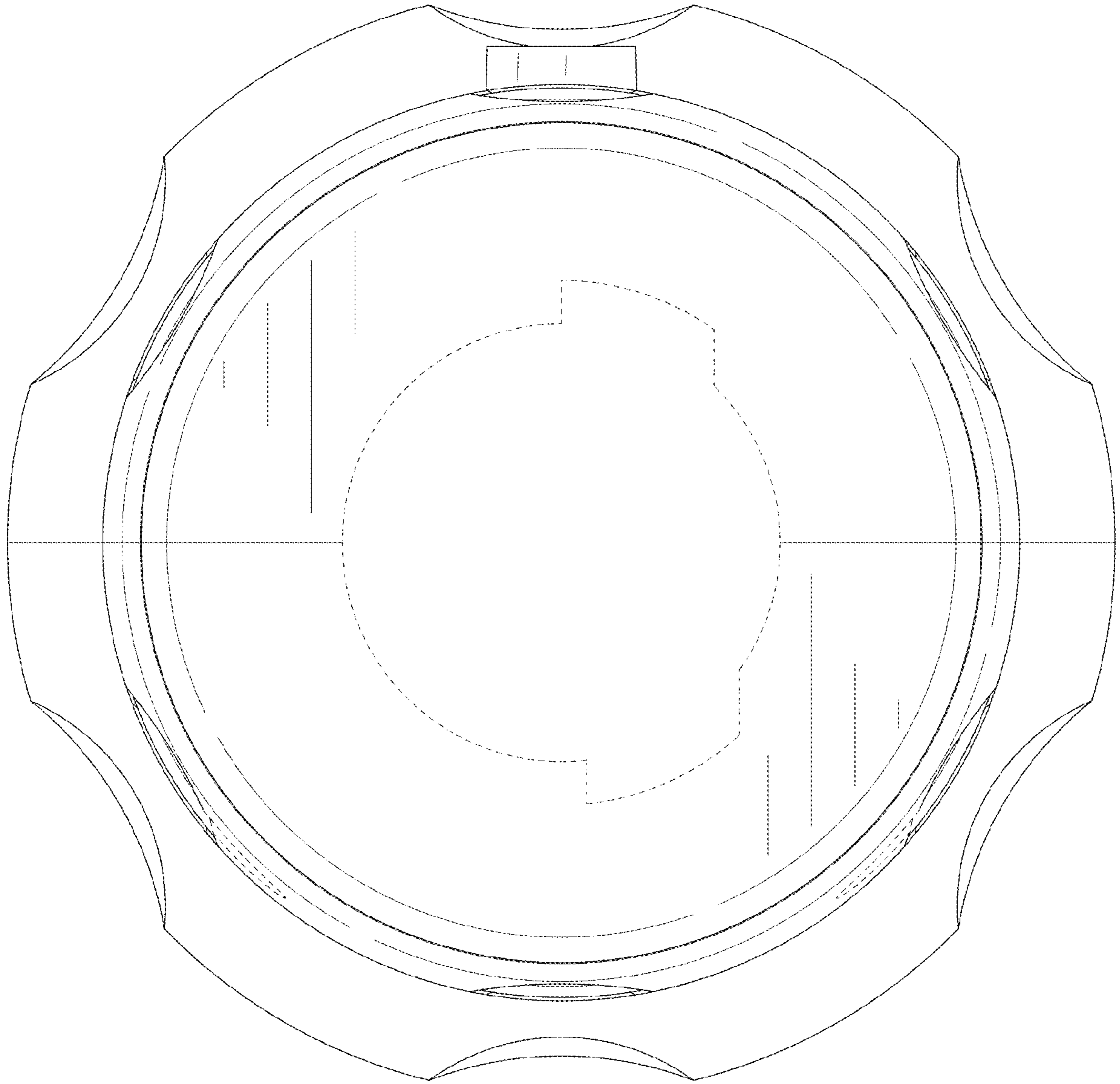


FIG. 10

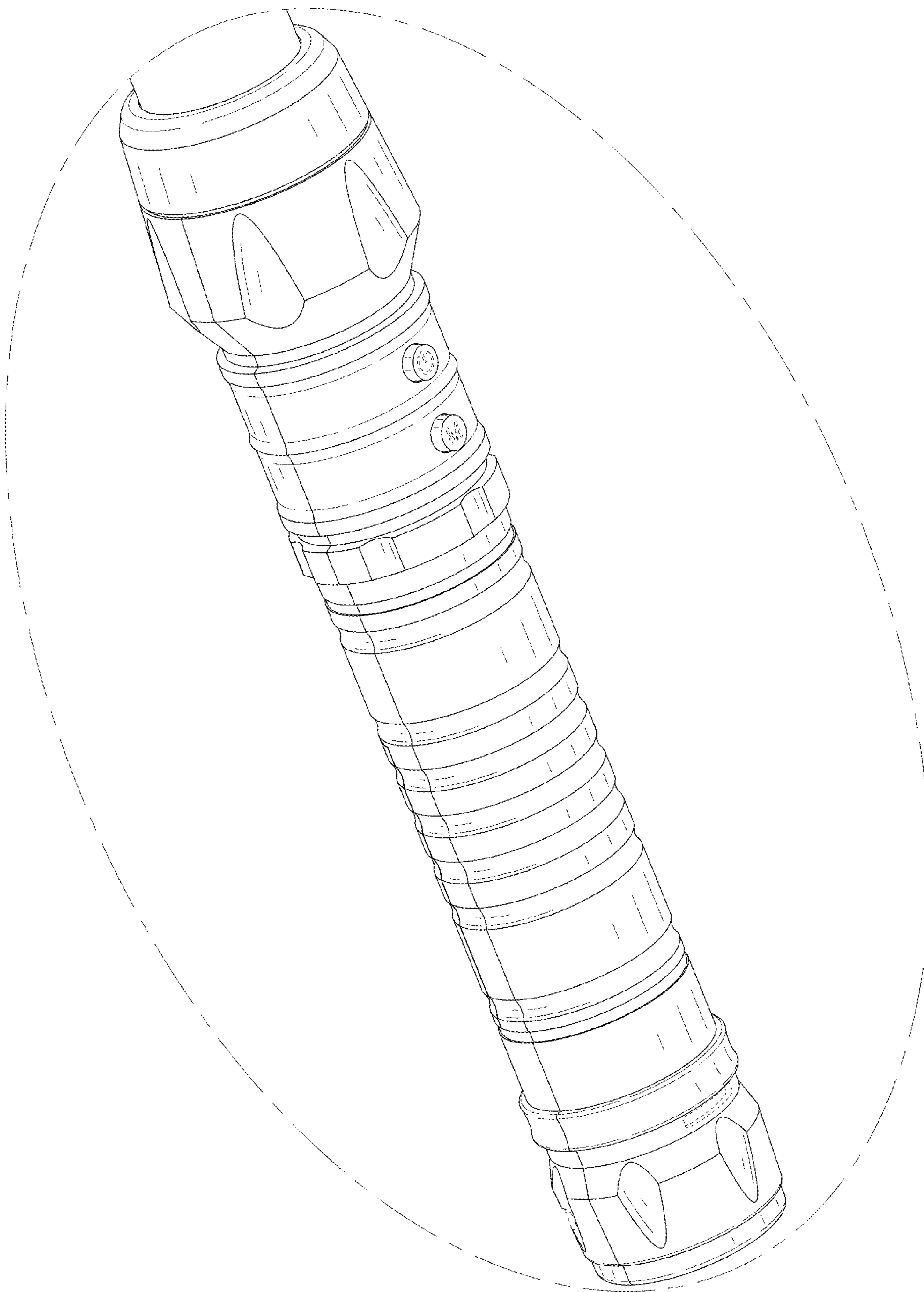


FIG. 11

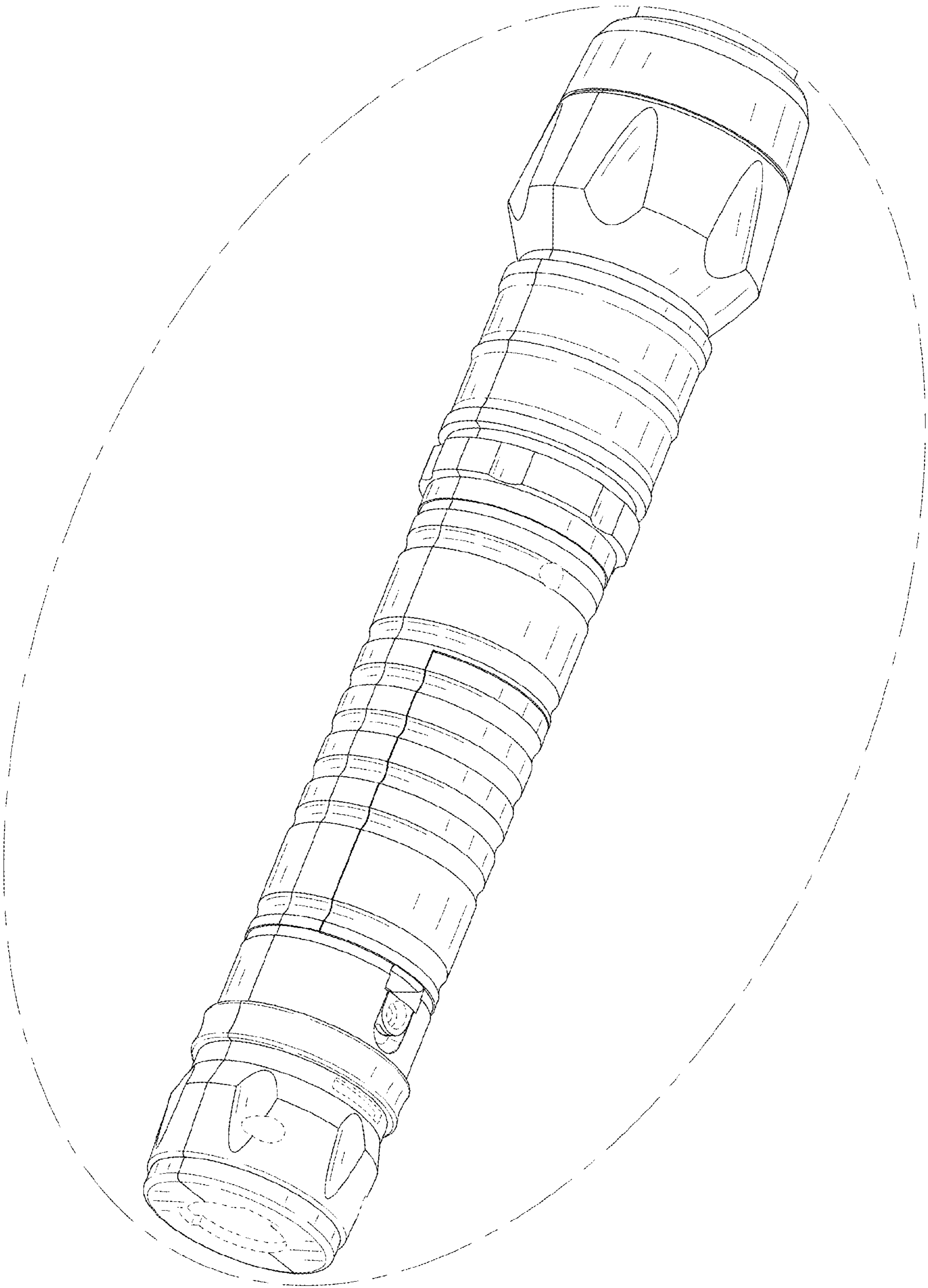


FIG. 12