



US00D987733S

(12) **United States Design Patent** (10) **Patent No.:** **US D987,733 S**
Lin (45) **Date of Patent:** **** May 30, 2023**

(54) **BUILDING BLOCK**

(56) **References Cited**

(71) Applicant: **EDX EDUCATION CO., LTD.**, Taipei (TW)

U.S. PATENT DOCUMENTS

(72) Inventor: **Bo-Yi Lin**, Taipei (TW)

9,914,067 B2 * 3/2018 Sufer A63H 33/046
10,507,401 B1 * 12/2019 Tong A63H 33/062
D936,751 S * 11/2021 Sisamos D21/492

(73) Assignee: **EDX EDUCATION CO., LTD.**, Taipei (TW)

* cited by examiner

(**) Term: **15 Years**

Primary Examiner — Cynthia M. Chin

(21) Appl. No.: **29/782,796**

(57) **CLAIM**

The ornamental design for a building block, as shown and described.

(22) Filed: **May 10, 2021**

DESCRIPTION

(51) **LOC (14) Cl.** **21-01**

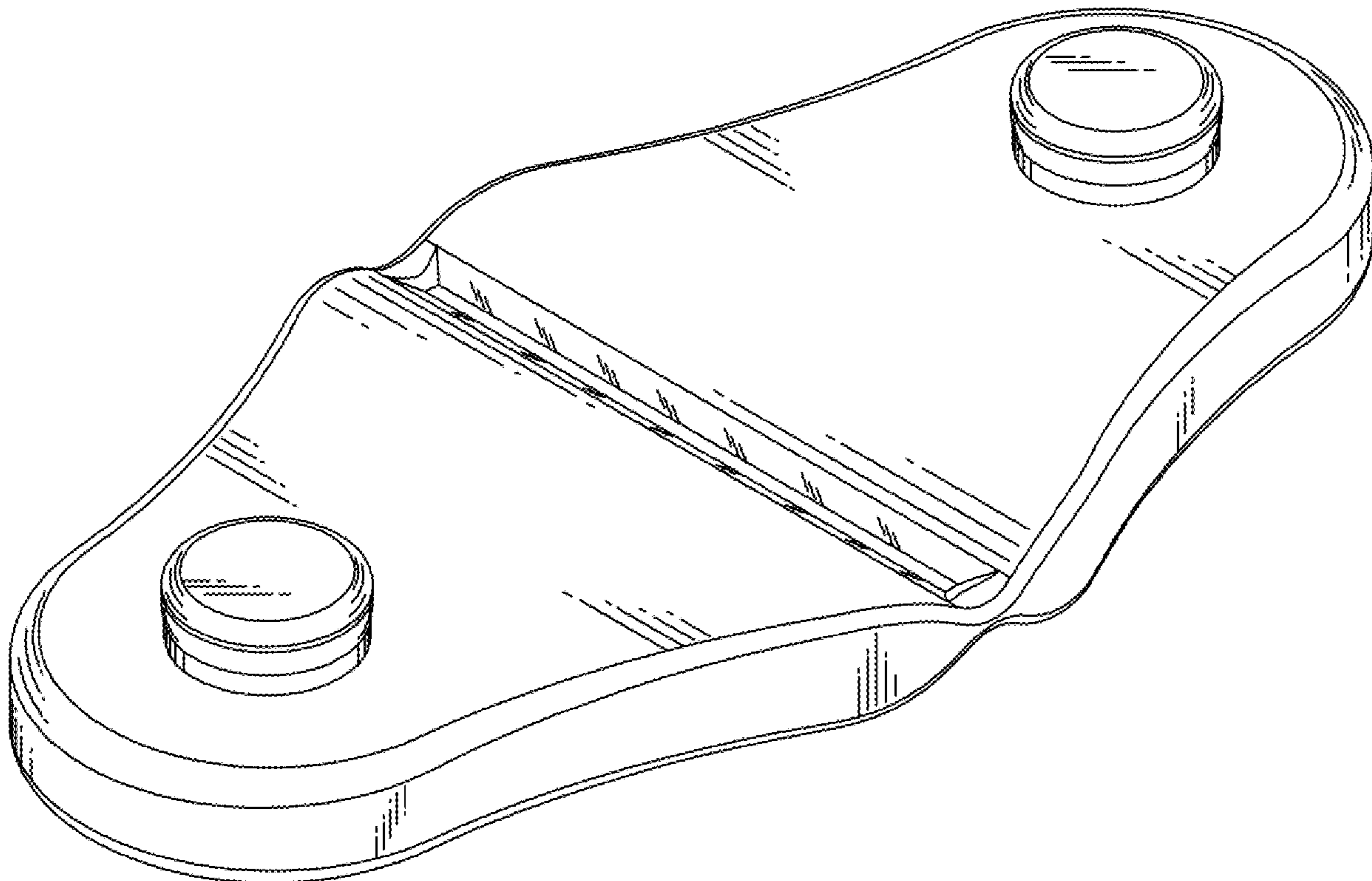
(52) **U.S. Cl.**
USPC **D21/492**

(58) **Field of Classification Search**
USPC D21/468, 484–505
CPC A63H 33/00; A63H 33/04; A63H 33/06;
A63H 33/062; A63H 33/08; A63H
33/084; A63H 33/088; A63H 33/101;
A63H 33/108; A63H 33/12

FIG. 1 is a perspective view of a building block showing my new design;
FIG. 2 is a front elevation view thereof;
FIG. 3 is a rear elevation view thereof;
FIG. 4 is a left side elevation view thereof;
FIG. 5 is a right side elevation view thereof;
FIG. 6 is a top plan view thereof; and,
FIG. 7 is a bottom plan view thereof.

See application file for complete search history.

1 Claim, 4 Drawing Sheets



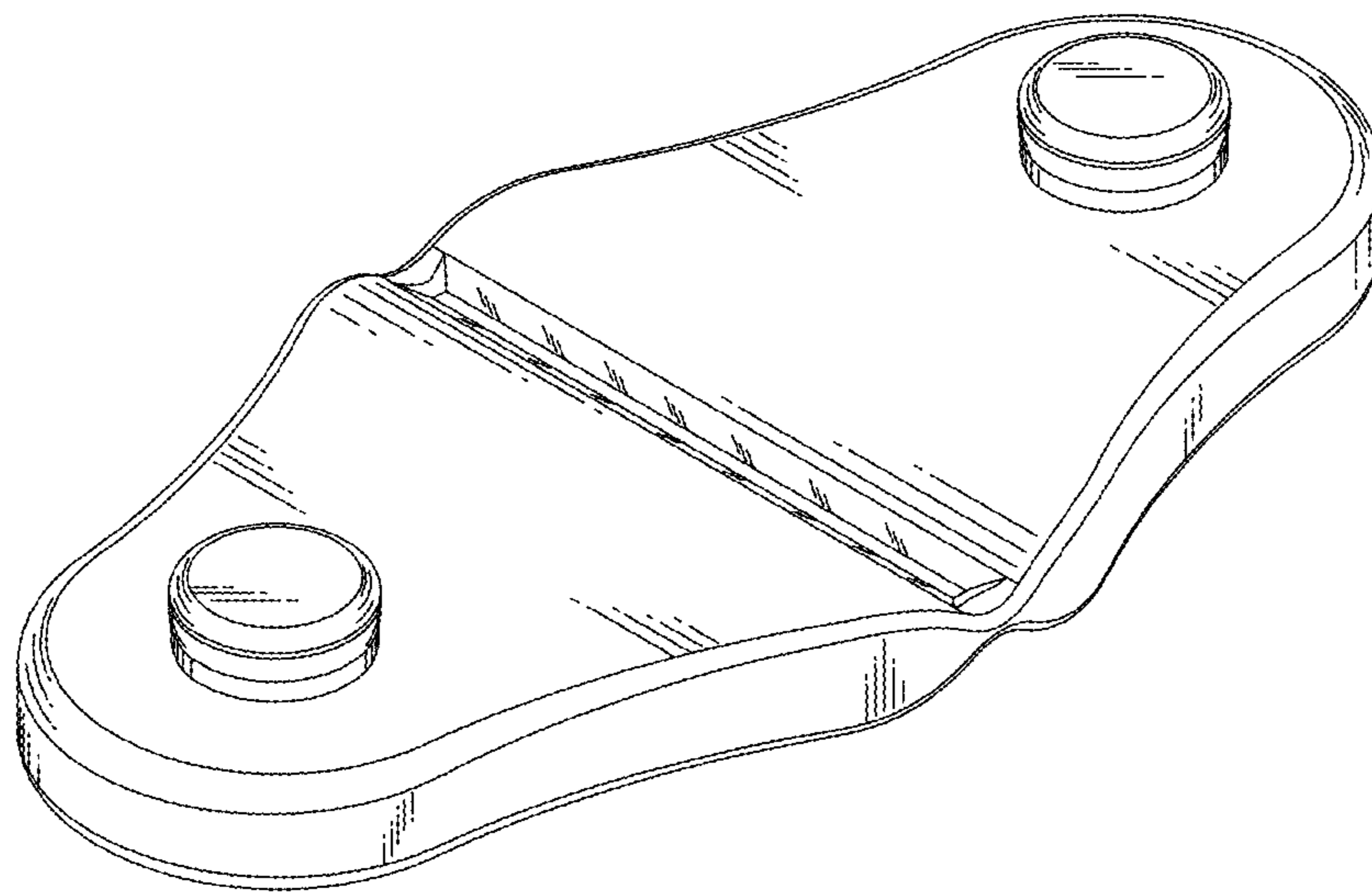


FIG.1

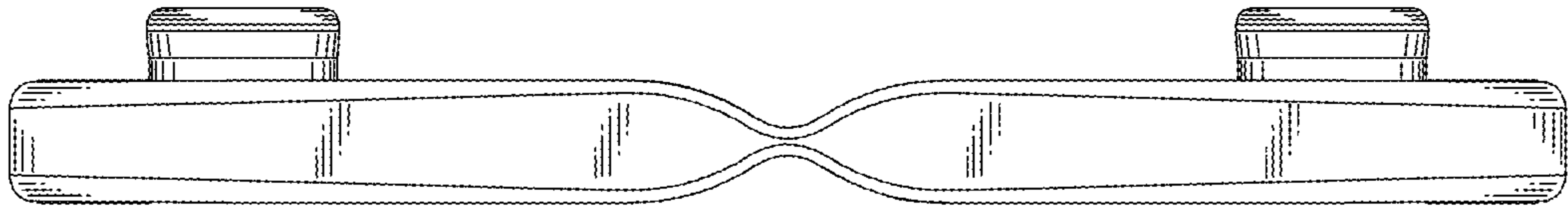


FIG. 2

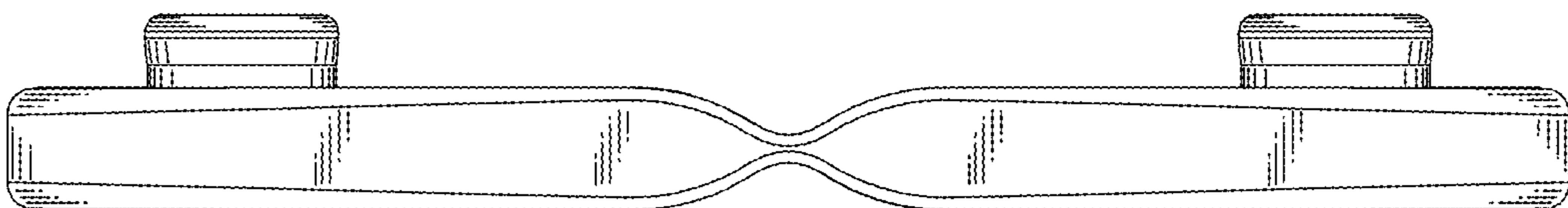


FIG. 3

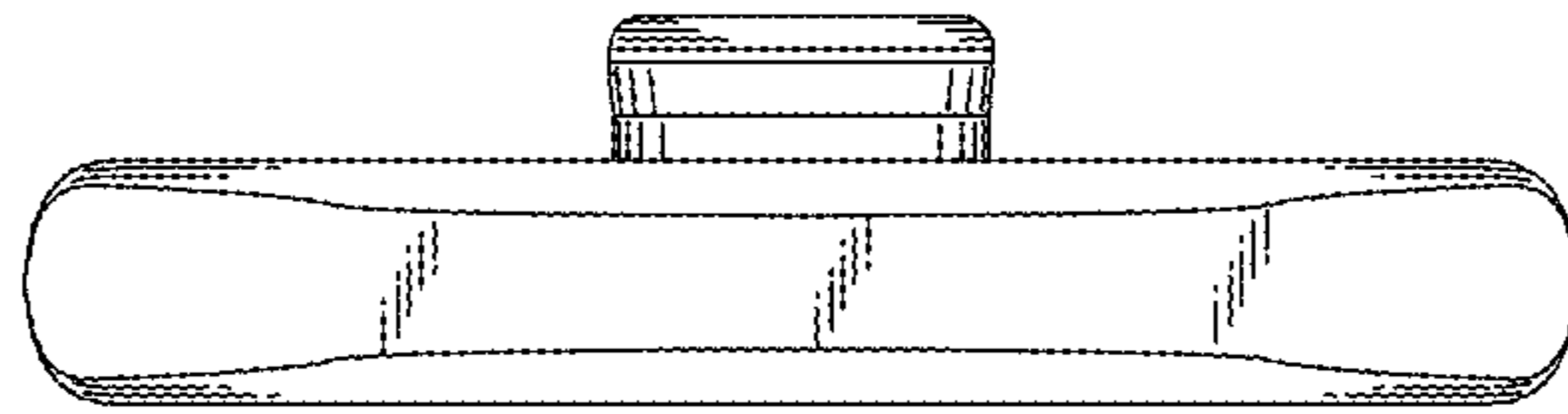


FIG.4

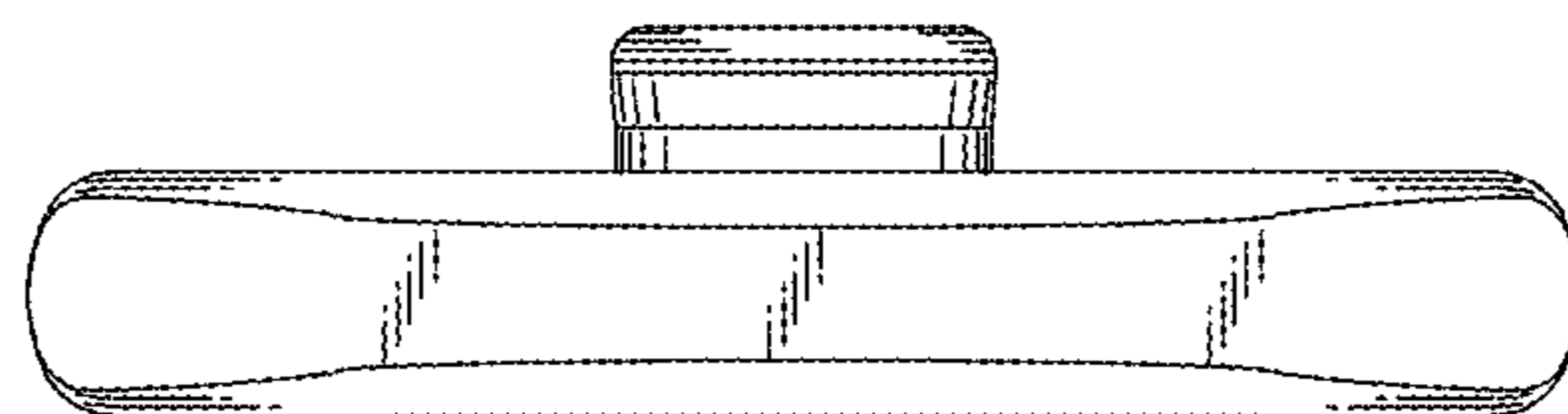


FIG.5

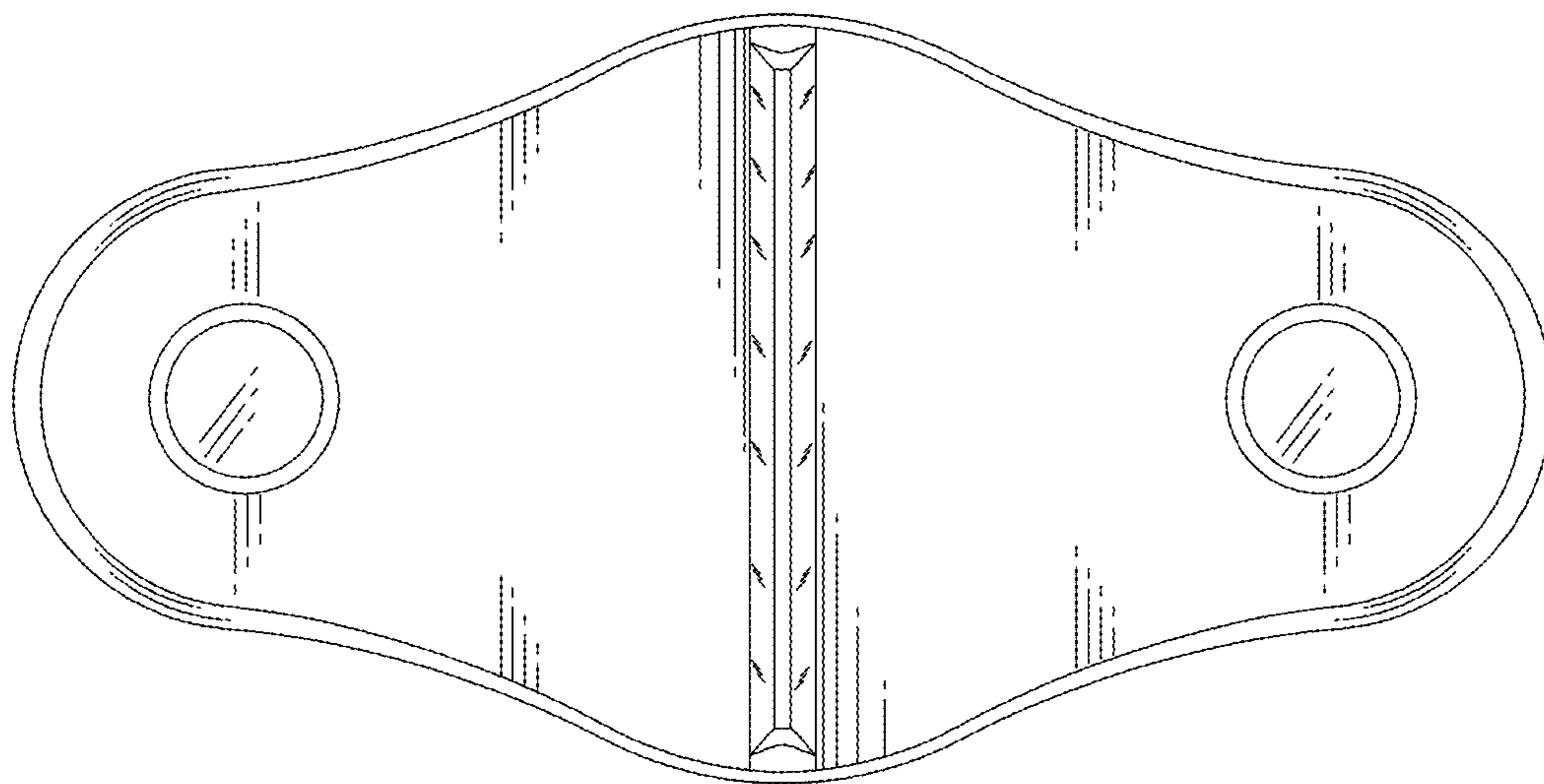


FIG. 6

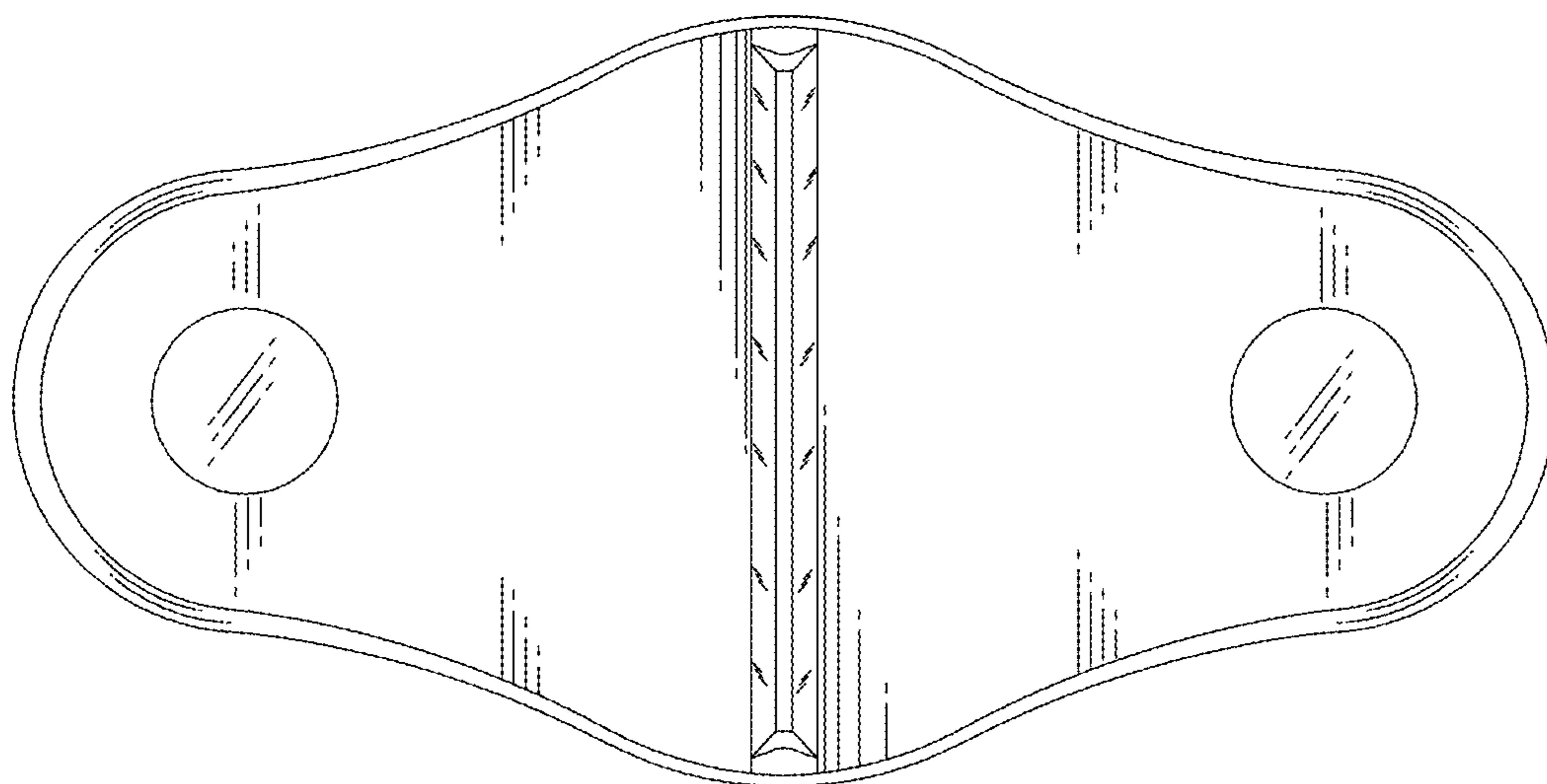


FIG. 7