



US00D987732S

(12) **United States Design Patent** (10) **Patent No.:** **US D987,732 S**
Lin (45) **Date of Patent:** **** May 30, 2023**

(54) **BUILDING BLOCK**
(71) Applicant: **EDX EDUCATION CO., LTD.**, Taipei (TW)
(72) Inventor: **Bo-Yi Lin**, Taipei (TW)
(73) Assignee: **EDX EDUCATION CO., LTD.**, Taipei (TW)
(**) Term: **15 Years**
(21) Appl. No.: **29/759,119**

D363,512 S * 10/1995 Bluff D21/503
5,704,186 A * 1/1998 Alcalay A63H 33/062
446/124
D393,417 S * 4/1998 Glickman D8/382
D546,900 S * 7/2007 Sorensen D21/484
D708,680 S * 7/2014 Norman D21/503
D711,972 S * 8/2014 Norman D21/487
D712,487 S * 9/2014 Strand D21/502
D755,902 S * 5/2016 Chen D21/484
9,573,074 B2 * 2/2017 Ryaa A63H 33/04
D859,538 S * 9/2019 Stockwell D21/500
D877,263 S * 3/2020 Cochella D21/484
D931,947 S * 9/2021 Wang D21/487
D936,752 S * 11/2021 Sisamos D21/503
D937,360 S * 11/2021 Sisamos D21/487

(22) Filed: **Nov. 20, 2020**
(51) **LOC (14) Cl.** **21-01**
(52) **U.S. Cl.**
USPC **D21/488**
(58) **Field of Classification Search**
USPC D21/468, 484-505
CPC A63H 33/00; A63H 33/04; A63H 33/06;
A63H 33/062; A63H 33/065; A63H
33/08; A63H 33/084; A63H 33/088;
A63H 33/101; A63H 33/102; A63H
33/108; A63H 33/12
See application file for complete search history.

* cited by examiner

Primary Examiner — Cynthia M. Chin

(57) **CLAIM**

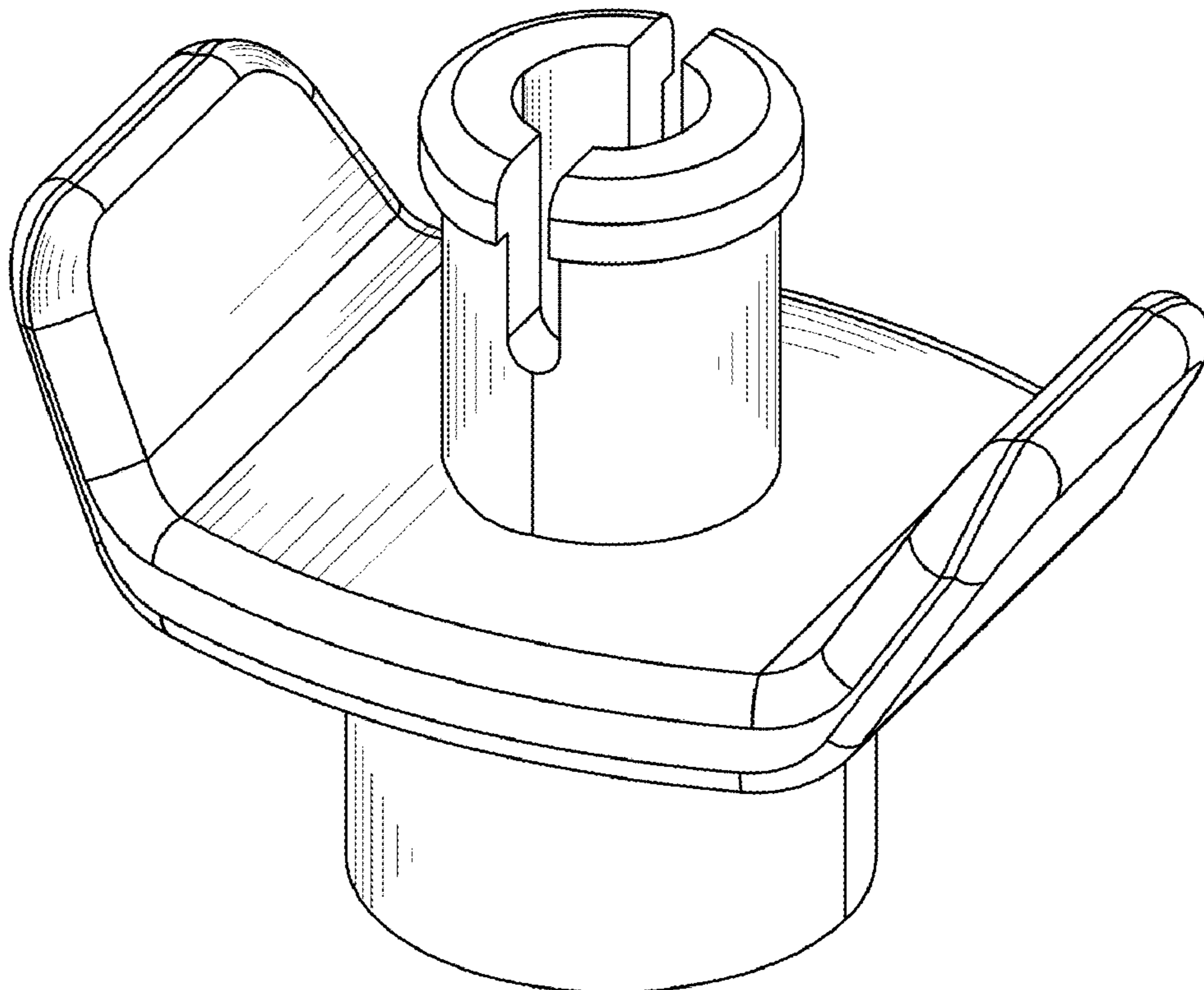
The ornamental design for a building block, as shown and described.

DESCRIPTION

FIG. 1 is a perspective view of a building block showing my new design;
FIG. 2 is a front elevation view thereof;
FIG. 3 is a rear elevation view thereof;
FIG. 4 is a left side elevation view thereof;
FIG. 5 is a right side elevation view thereof;
FIG. 6 is a top plan view thereof; and,
FIG. 7 is a bottom plan view thereof.

(56) **References Cited**
U.S. PATENT DOCUMENTS
3,415,155 A * 12/1968 Riddell F16C 33/20
411/548
D343,429 S * 1/1994 Sorensen D21/502

1 Claim, 7 Drawing Sheets



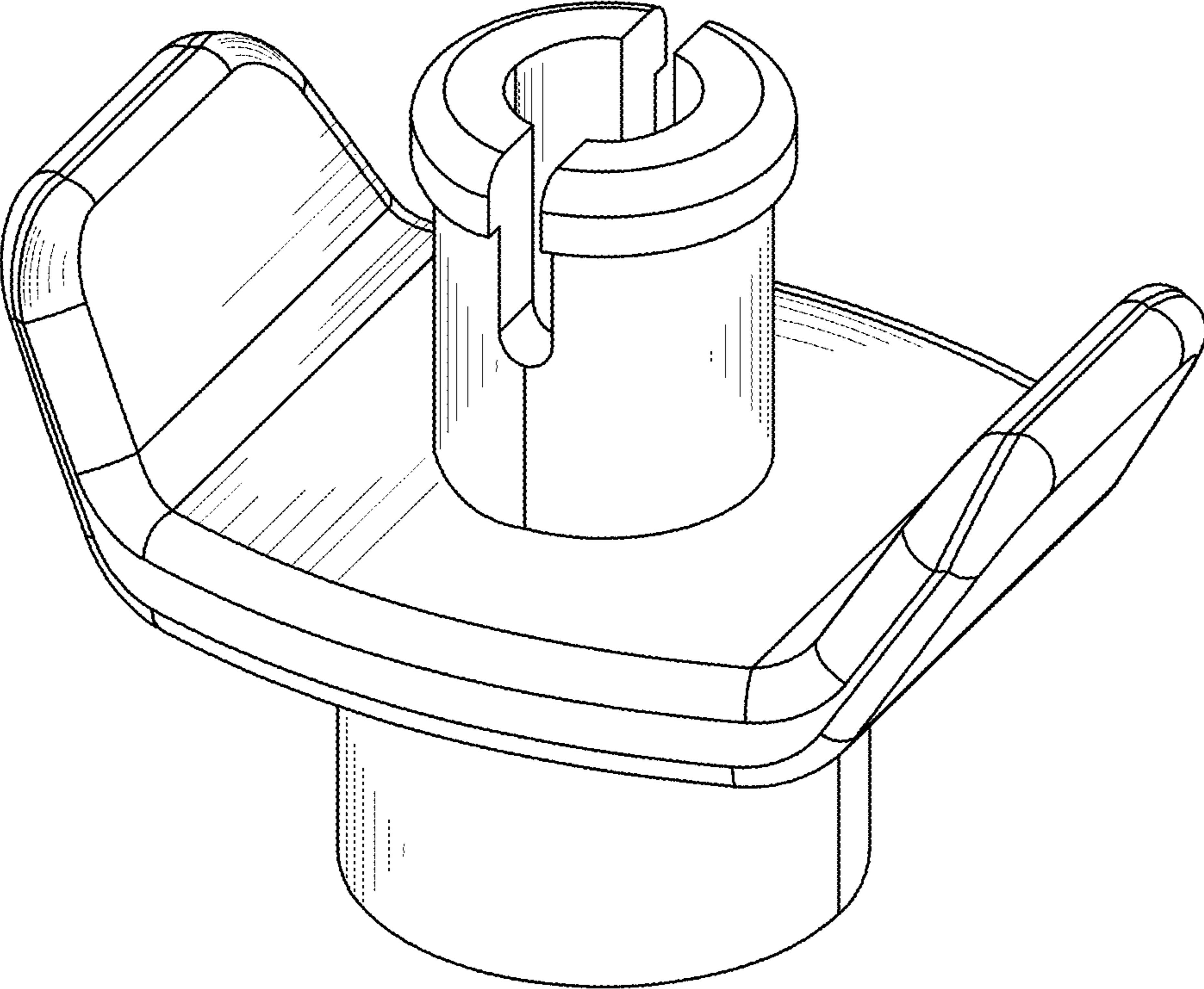


FIG. 1

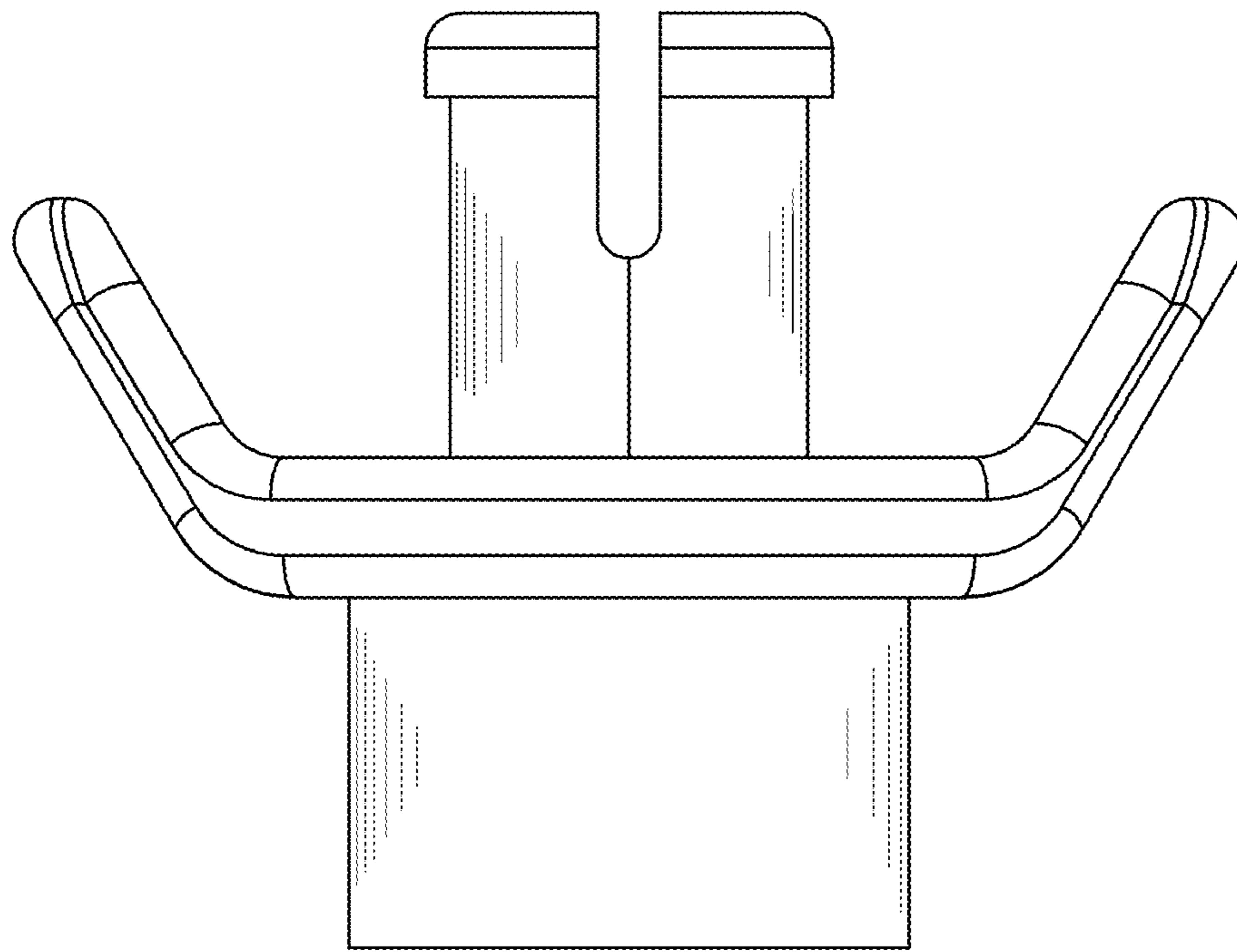


FIG. 2

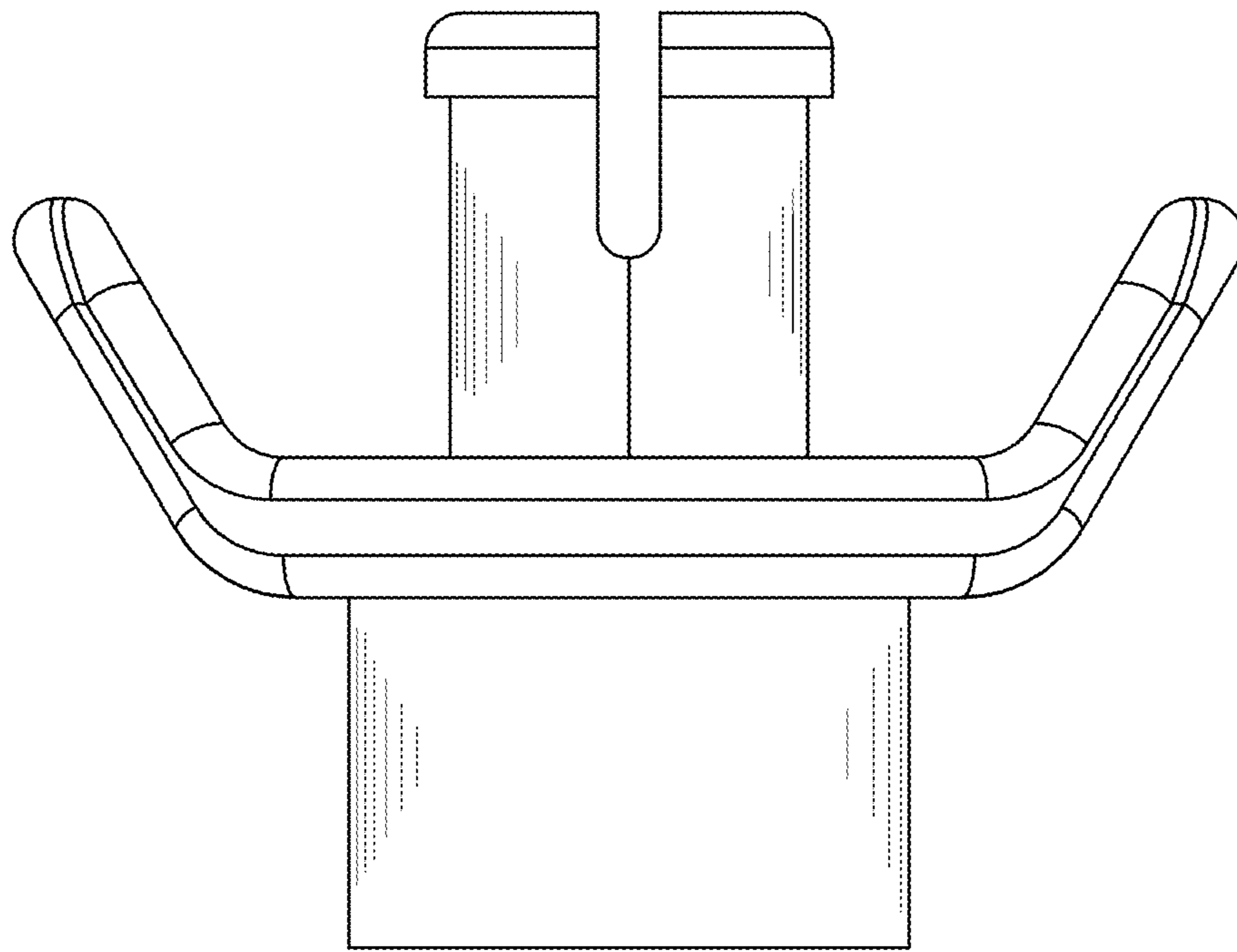


FIG. 3

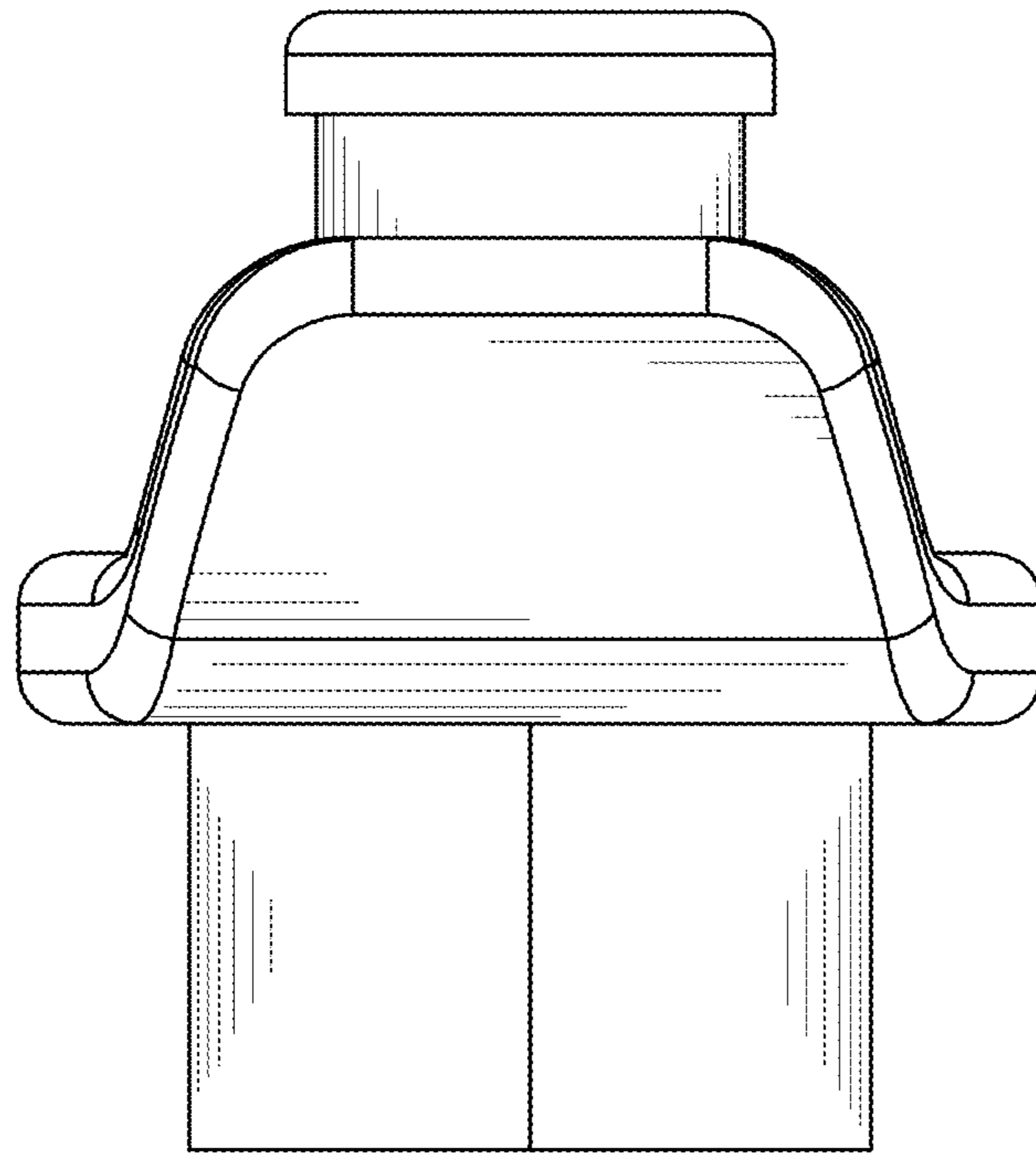


FIG. 4

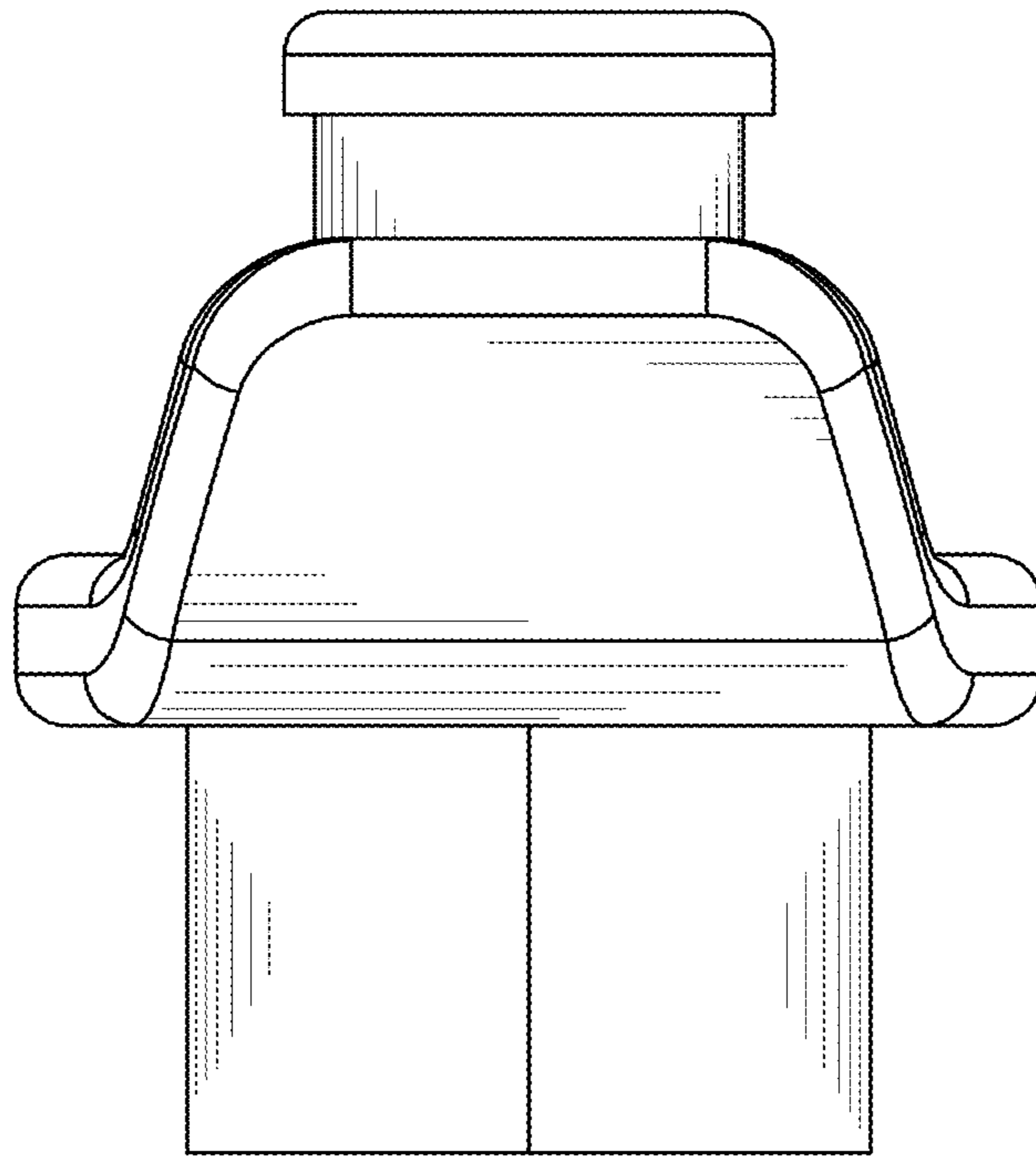


FIG. 5

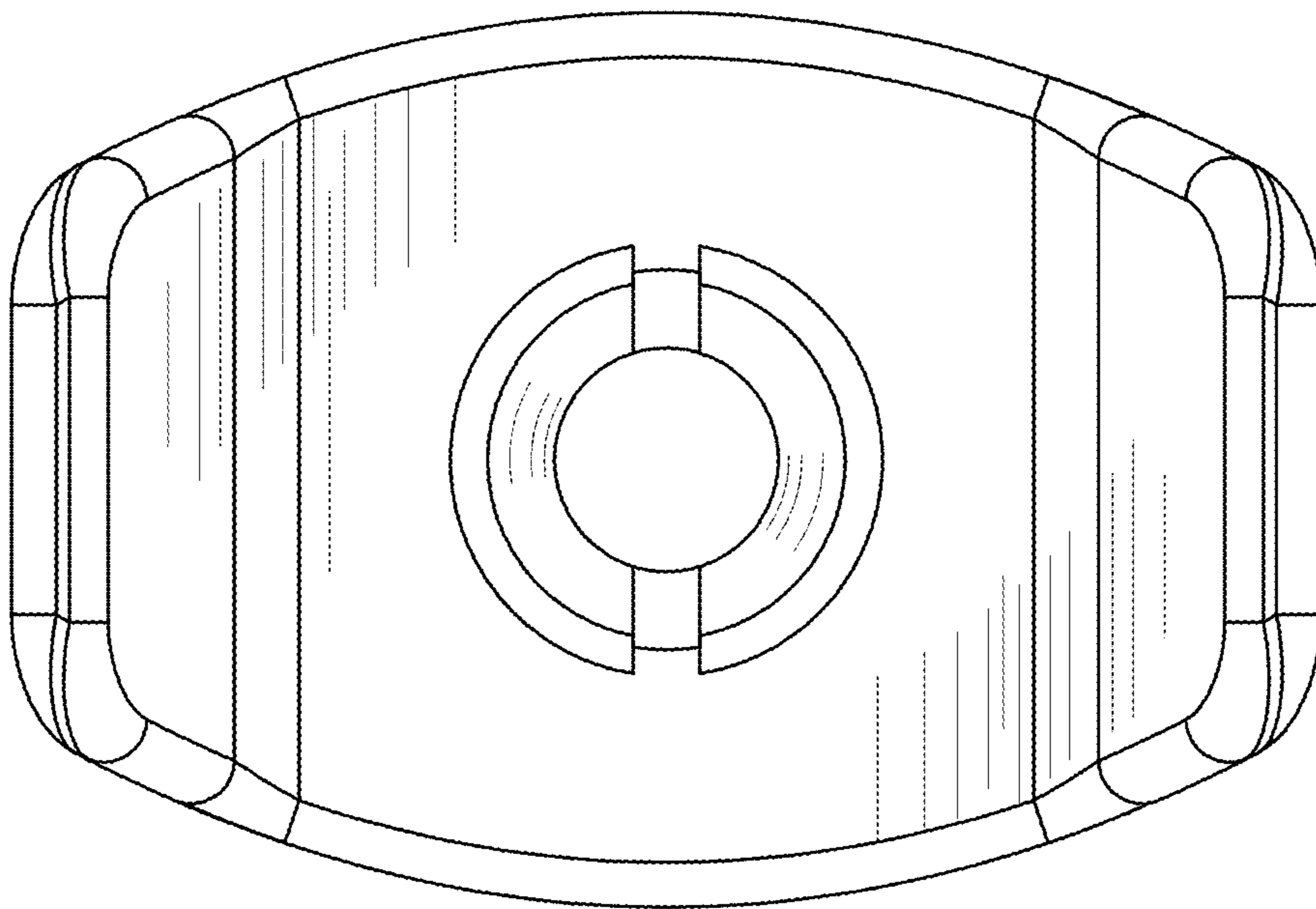


FIG. 6

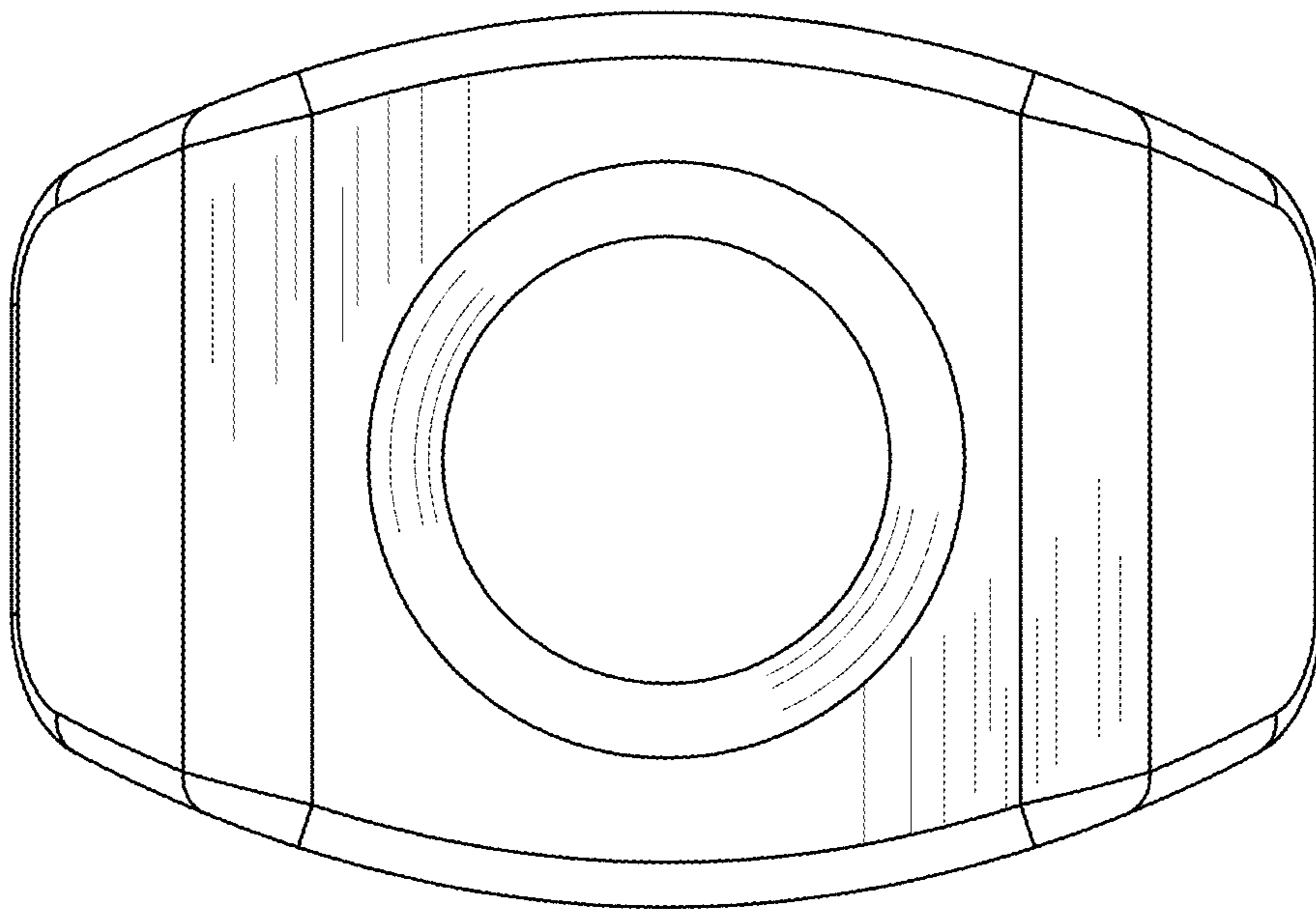


FIG. 7