



US00D987731S

(12) **United States Design Patent** (10) **Patent No.:** **US D987,731 S**
Wang (45) **Date of Patent:** **** May 30, 2023**

(54) **EDUCATIONAL TOY**

(74) *Attorney, Agent, or Firm* — Runit Ranjit Kanakia

(71) Applicant: **Linshuang Wang**, Shenzhen (CN)

(57) **CLAIM**

(72) Inventor: **Linshuang Wang**, Shenzhen (CN)

The ornamental design for an educational toy, as shown and described.

(**) Term: **15 Years**

DESCRIPTION

(21) Appl. No.: **29/791,001**

(22) Filed: **Dec. 23, 2021**

(30) **Foreign Application Priority Data**

Jun. 23, 2021 (CN) 202130389707.7

(51) **LOC (14) Cl.** **21-01**

(52) **U.S. Cl.**
USPC **D21/468**

(58) **Field of Classification Search**
USPC D21/334, 338-346, 350, 377, 385, 473,
D21/475, 491, 512, 406, 444, 338-346,
(Continued)

(56) **References Cited**

U.S. PATENT DOCUMENTS

2,900,190 A * 8/1959 Pestieau A63F 9/10
273/157 R
D375,761 S * 11/1996 Cone, Jr. D21/341
(Continued)

FOREIGN PATENT DOCUMENTS

CN 306841071 * 6/2021

OTHER PUBLICATIONS

“Pop It Fidget Tetris Jigsaw Puzzle Toy”, Jul. 8, 2021, Youtube, site visited Sep. 14, 2022: <https://www.youtube.com/watch?v=R4c63XPe2p4> (Year: 2021).*

(Continued)

Primary Examiner — Jack Reickel
Assistant Examiner — Salamah Jordan

FIG. 1 is a first perspective view of an educational toy showing my new design;
 FIG. 2 is a second perspective view thereof;
 FIG. 3 is a first perspective view of a first element of an educational toy shown in isolation, with three identical such elements included in the claimed design;
 FIG. 4 is a second perspective view of the first element thereof;
 FIG. 5 is a front view of the first element thereof;
 FIG. 6 is a back view of the first element thereof;
 FIG. 7 is a left side view of the first element thereof;
 FIG. 8 is a right side view of the first element thereof;
 FIG. 9 is a top view of the first element thereof;
 FIG. 10 is a bottom view of the first element thereof;
 FIG. 11 is a first perspective view of a second element of an educational toy shown in isolation, with five identical such elements included in the claimed design;
 FIG. 12 is a second perspective view of the second element thereof;
 FIG. 13 is a front view of the second element thereof;
 FIG. 14 is a back view of the second element thereof;
 FIG. 15 is a left side view of the second element thereof;
 FIG. 16 is a right side view of the second element thereof;
 FIG. 17 is a top view of the second element thereof;
 FIG. 18 is a bottom view of the second element thereof;
 FIG. 19 is a first perspective view of a third element of an educational toy shown in isolation, with four identical such elements included in the claimed design;
 FIG. 20 is a second perspective view of the third element thereof;
 FIG. 21 is a front view of the third element thereof;
 FIG. 22 is a back view of the third element thereof;
 FIG. 23 is a left side view of the third element thereof;
 FIG. 24 is a right side view of the third element thereof;
 FIG. 25 is a top view of the third element thereof;

(Continued)

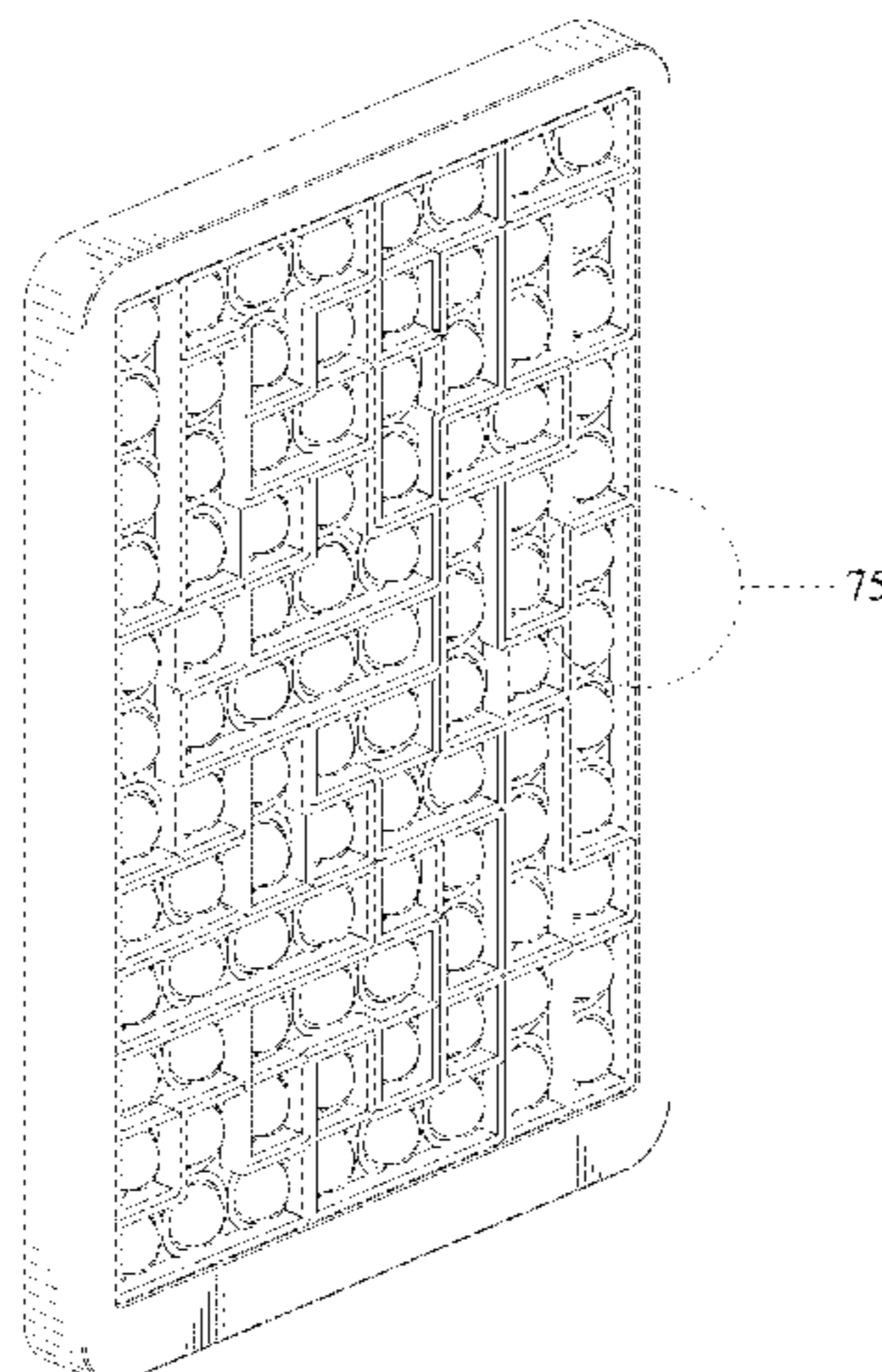


FIG. 26 is a bottom view of the third element thereof;
 FIG. 27 is a first perspective view of a fourth element of an educational toy shown in isolation, with three identical such elements included in the claimed design;
 FIG. 28 is a second perspective view of the fourth element thereof;
 FIG. 29 is a front view of the fourth element thereof;
 FIG. 30 is a back view of the fourth element thereof;
 FIG. 31 is a left side view of the fourth element thereof;
 FIG. 32 is a right side view of the fourth element thereof;
 FIG. 33 is a top view of the fourth element thereof;
 FIG. 34 is a bottom view of the fourth element thereof;
 FIG. 35 is a first perspective view of a fifth element of an educational toy shown in isolation, with three identical such elements included in the claimed design;
 FIG. 36 is a second perspective view of the fifth element thereof;
 FIG. 37 is a front view of the fifth element thereof;
 FIG. 38 is a back view of the fifth element thereof;
 FIG. 39 is a left side view of the fifth element thereof;
 FIG. 40 is a right side view of the fifth element thereof;
 FIG. 41 is a top view of the fifth element thereof;
 FIG. 42 is a bottom view of the fifth element thereof;
 FIG. 43 is a first perspective view of a sixth element of an educational toy shown in isolation, with three identical such elements included in the claimed design;
 FIG. 44 is a second perspective view of the sixth element thereof;
 FIG. 45 is a front view of the sixth element thereof;
 FIG. 46 is a back view of the sixth element thereof;
 FIG. 47 is a left side view of the sixth element thereof;
 FIG. 48 is a right side view of the sixth element thereof;
 FIG. 49 is a top view of the sixth element thereof;
 FIG. 50 is a bottom view of the sixth element thereof;
 FIG. 51 is a first perspective view of a seventh element of an educational toy shown in isolation, with three identical such elements included in the claimed design;
 FIG. 52 is a second perspective view of the seventh element thereof;
 FIG. 53 is a front view of the seventh element thereof;
 FIG. 54 is a back view of the seventh element thereof;
 FIG. 55 is a left side view of the seventh element thereof;
 FIG. 56 is a right side view of the seventh element thereof;
 FIG. 57 is a top view of the seventh element thereof;
 FIG. 58 is a bottom view of the seventh element thereof;
 FIG. 59 is a first perspective view of an eighth element of an educational toy shown in isolation, with two identical such elements included in the claimed design;
 FIG. 60 is a second perspective view of the eighth element thereof;
 FIG. 61 is a front view of the eighth element thereof;
 FIG. 62 is a back view of the eighth element thereof;
 FIG. 63 is a left side view of the eighth element thereof;
 FIG. 64 is a right side view of the eighth element thereof;
 FIG. 65 is a top view of the eighth element thereof;
 FIG. 66 is a bottom view of the eighth element thereof;
 FIG. 67 is a first perspective view of a ninth element of an educational toy shown in isolation;
 FIG. 68 is a second perspective view of the ninth element thereof;
 FIG. 69 is a front view of the ninth element thereof;
 FIG. 70 is a back view of the ninth element thereof;
 FIG. 71 is a left side view of the ninth element thereof;
 FIG. 72 is a right side view of the ninth element thereof;
 FIG. 73 is a top view of the ninth element thereof;

FIG. 74 is a bottom view of the ninth element thereof; and, FIG. 75 is an enlarged view of the selected portion in FIG. 1.

The broken lines shown in the drawings depict portions of the educational toy in which the design is embodied that form no part of the claimed design.

1 Claim, 75 Drawing Sheets

(58) **Field of Classification Search**

USPC D21/468, 478–480; D19/686, 687, 662, D19/797, 688, 484, 671, 690, 792, 780, D19/698, 500, 501, 499; D7/550.1, D7/553.4, 553.5, 553.7, 553.8, 555–557, D7/611, 701, 702, 708, 624.1, 357, 359, D7/672, 675, 677, 388, 409, 410; D9/758
 CPC A63B 21/078; A63H 5/00; A63H 33/00; A63H 33/001; A63F 3/00214; A63F 3/00533; A63F 3/00574; A63F 3/00697; A63F 3/0415; A63F 3/06; A63F 3/062; A63F 3/0625; A63F 3/0635; A63F 3/0695; A63F 2003/00258; A63F 2003/00394; A63F 2003/00397; A63F 2003/004; A63F 2003/00457; A63F 2003/00504; A63F 2003/0418

See application file for complete search history.

(56) **References Cited**

U.S. PATENT DOCUMENTS

D397,378	S	*	8/1998	Lennon	D21/479
5,868,388	A	*	2/1999	Wood	A63F 3/0023 273/157 R
D538,346	S		3/2007	Harvey		
D613,330	S	*	4/2010	Ho	D18/6
D656,558	S	*	3/2012	Fuchs	D21/337
D800,833	S	*	10/2017	Kalia	D21/478
D892,231	S		8/2020	Jung et al.		
D903,778	S	*	12/2020	Nevgi	A63F 9/0669 D21/479
D938,526	S		12/2021	Zhang		
D944,329	S	*	2/2022	Deng	D21/468
D947,953	S	*	4/2022	Cui	D21/468
D953,440	S	*	5/2022	Li	D21/468
D961,004	S	*	8/2022	Zeng	D21/468
D965,072	S	*	9/2022	Zhao	D21/468
D965,073	S	*	9/2022	Liu	D21/468
D965,074	S	*	9/2022	Zheng	D21/468
D967,281	S	*	10/2022	Wang	D21/468
D967,283	S	*	10/2022	Wan	D21/480
D969,226	S	*	11/2022	Peng	D21/468
D969,229	S	*	11/2022	Chen	D21/468
D974,488	S	*	1/2023	Yin	D21/468
2008/0160875	A1	*	7/2008	Leicht	A63F 9/12 446/124

OTHER PUBLICATIONS

“Pop It Tetris” Sep. 5, 2022, Youtube, site visited Sep. 14, 2022: <https://www.youtube.com/watch?v=WvKk8RncnFc> (Year: 2022).*
 “Tetris Cardboard Game” Jul. 23, 2018, Youtube, site visited Jan. 11, 2023: <https://www.youtube.com/watch?v=hnt4YH7hjjg> (Year: 2018).*
 “Pop It Challenge” Jul. 11, 2021, Youtube, site visited Jan. 11, 2023: <https://www.youtube.com/watch?v=sG9z0Lmsh6Q> (Year: 2021).*

* cited by examiner

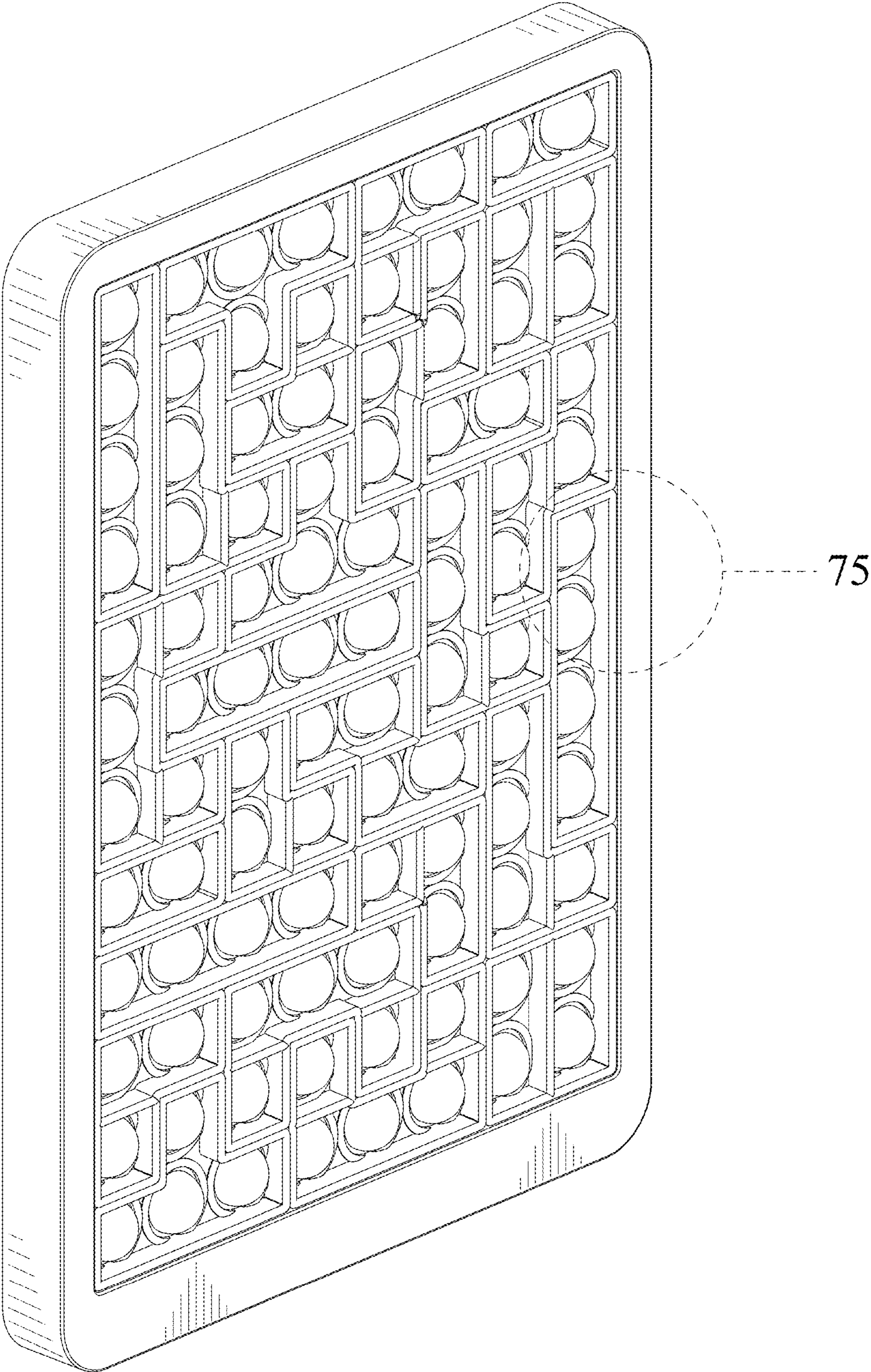


FIG.1

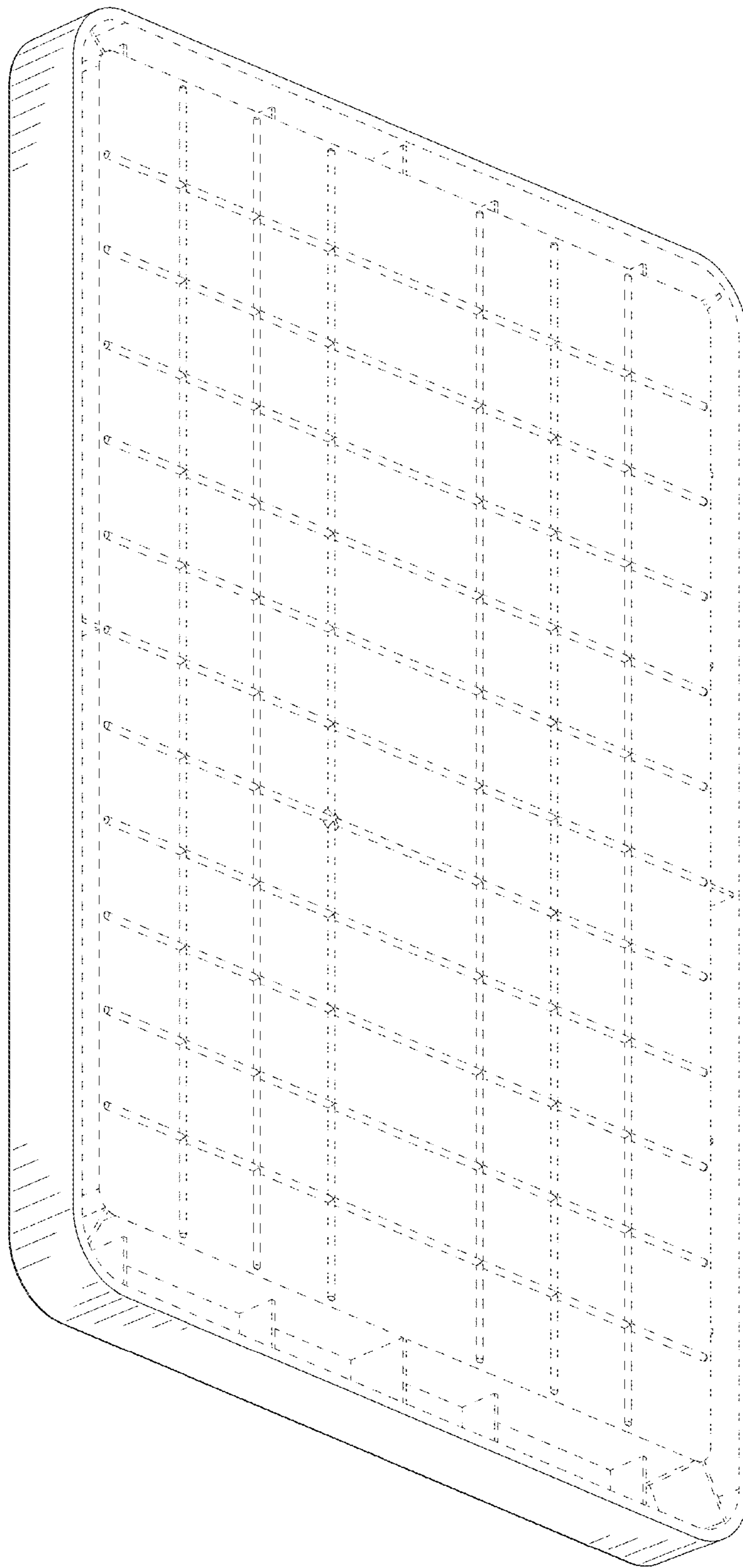


FIG. 2

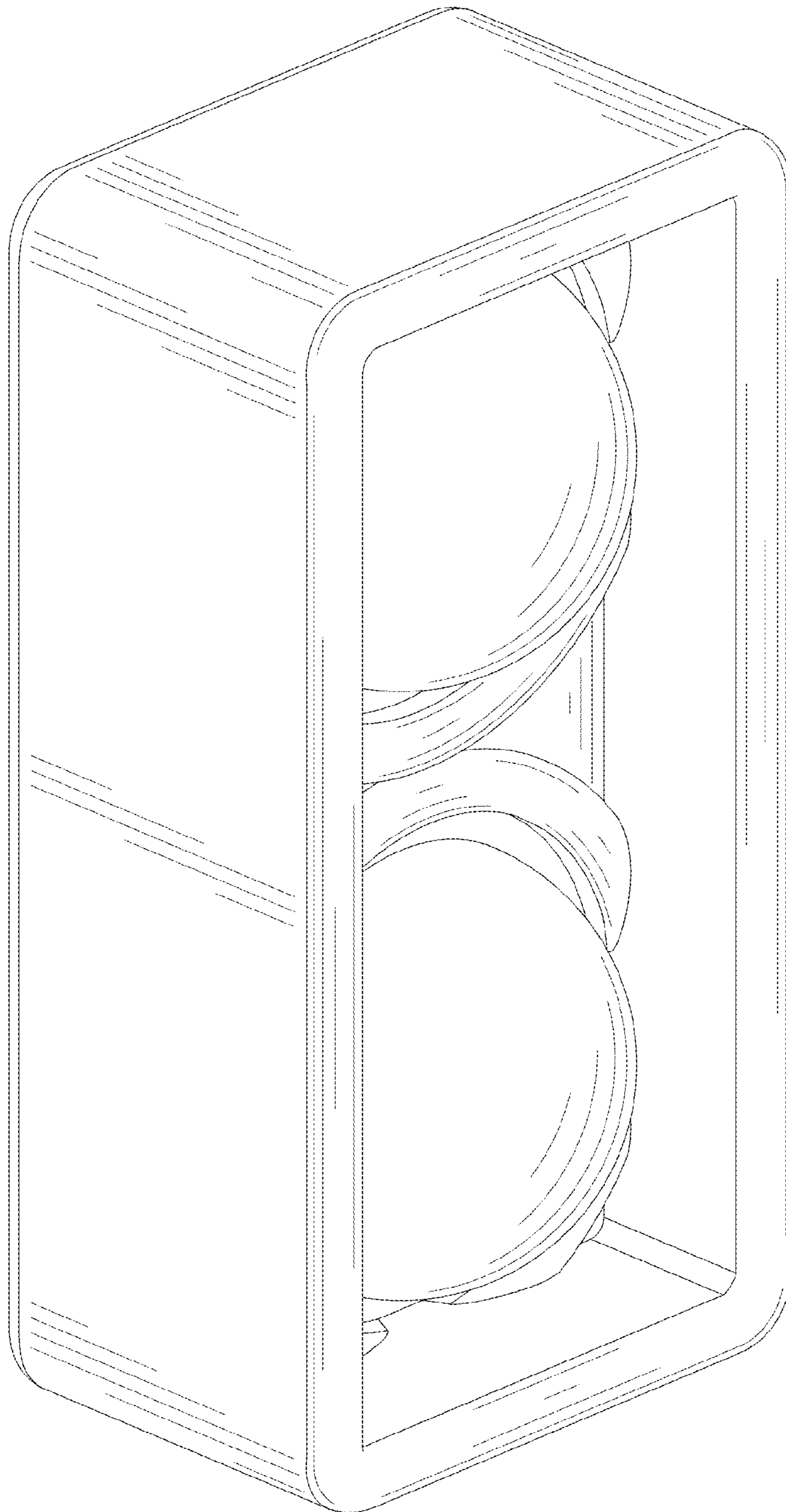


FIG. 3

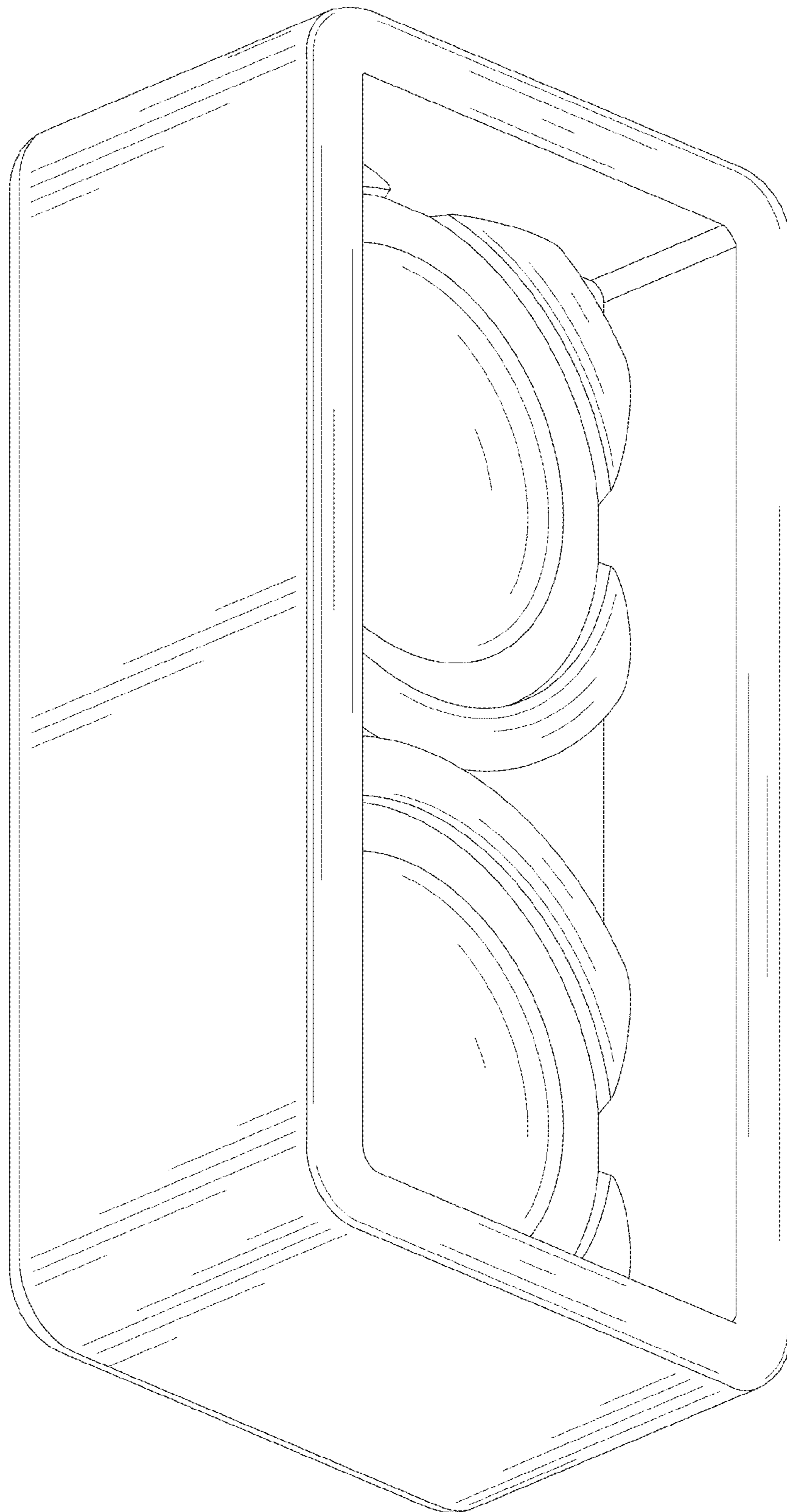


FIG. 4

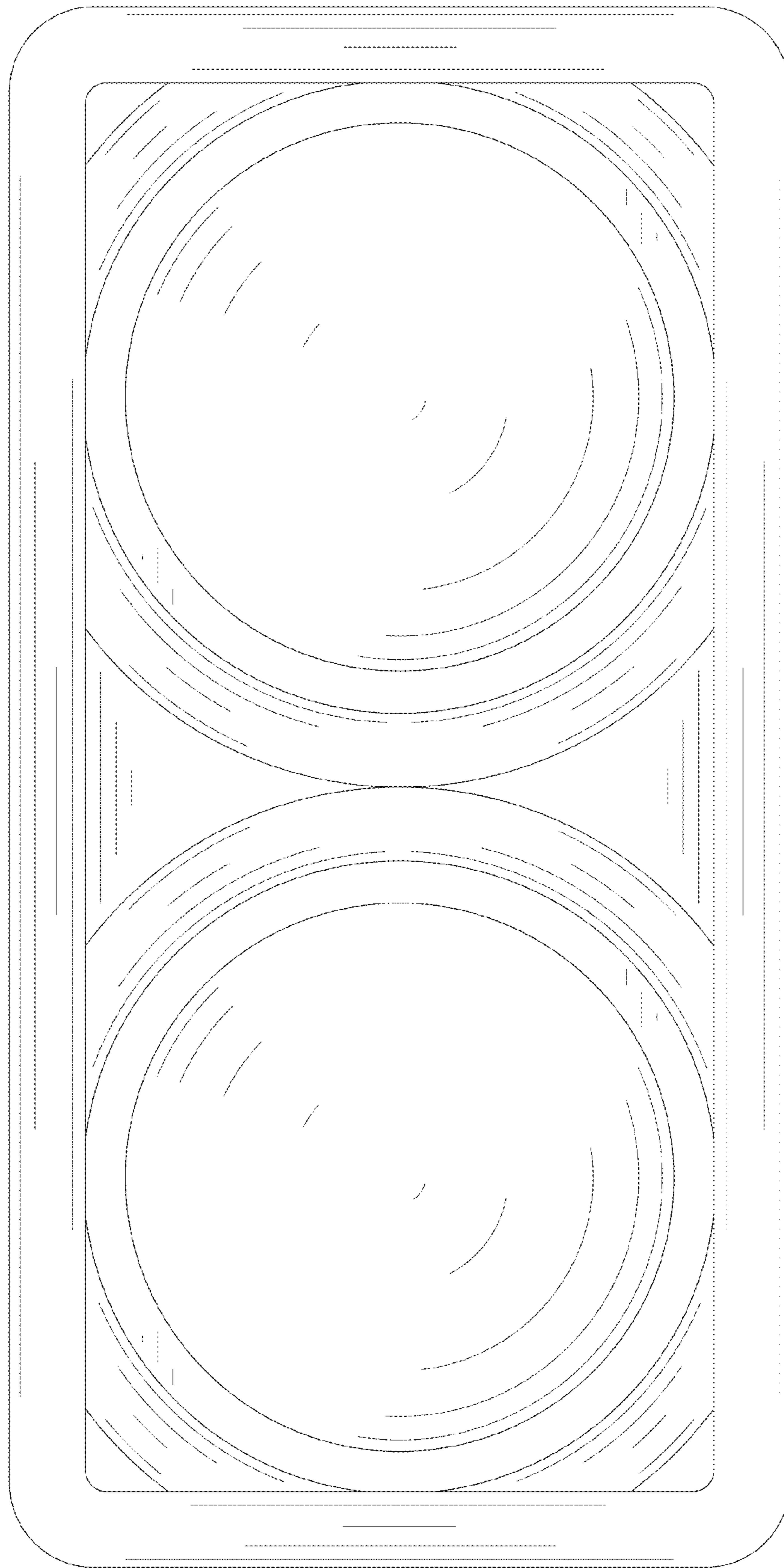


FIG. 5

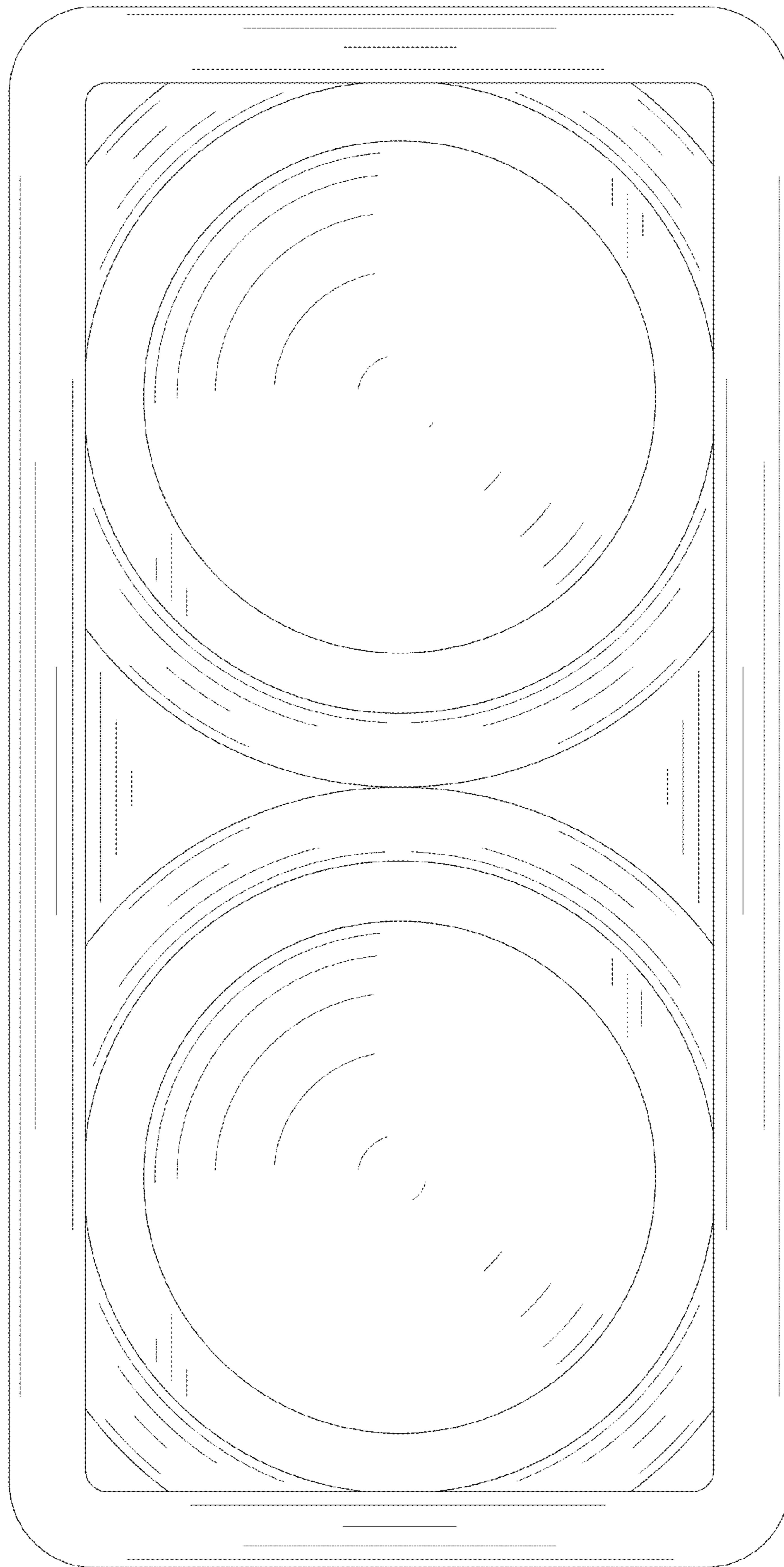


FIG. 6

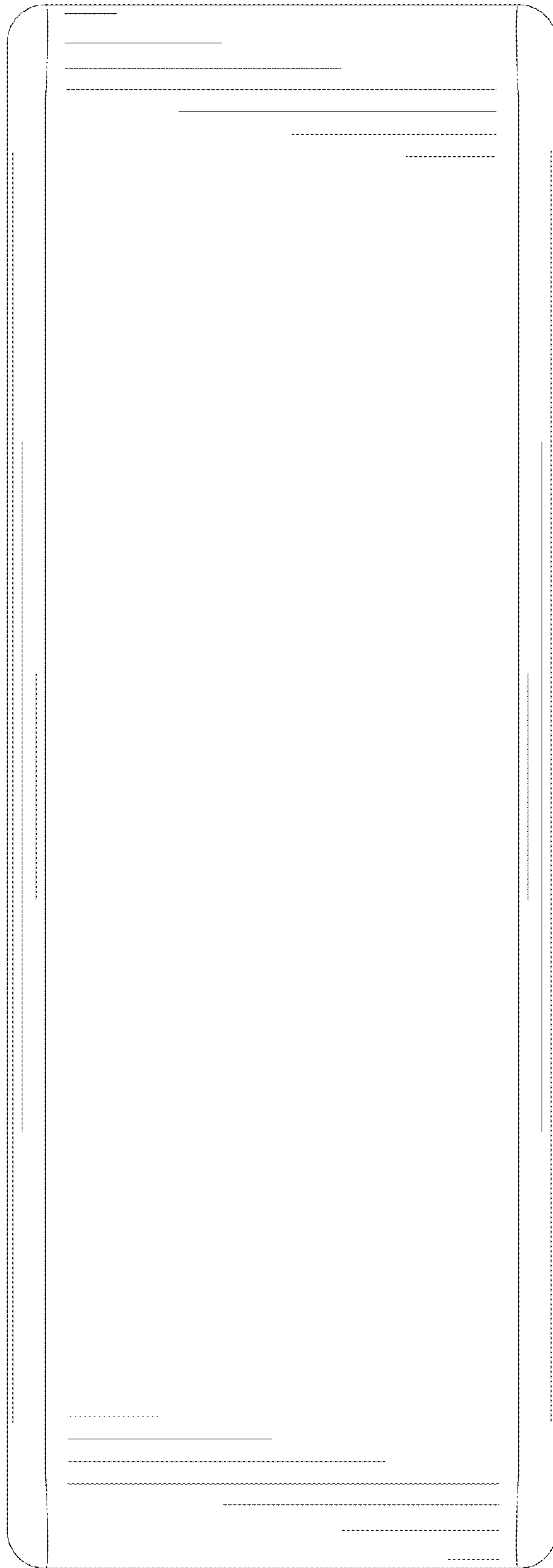


FIG. 7

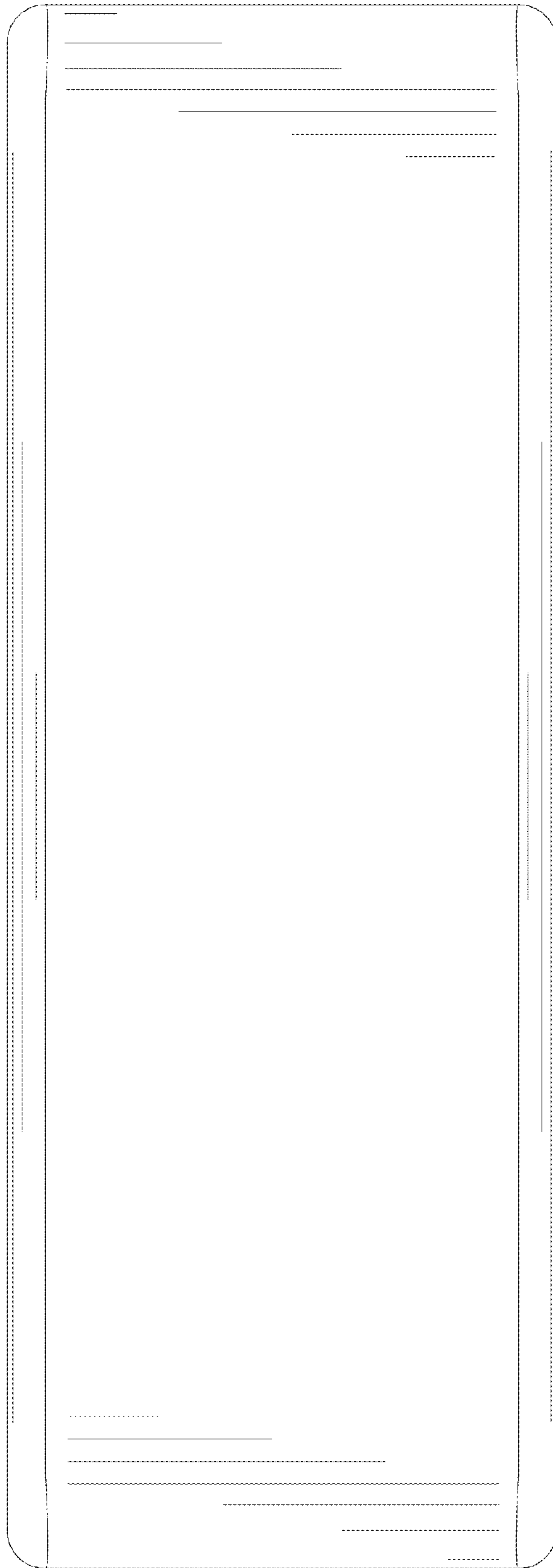


FIG. 8

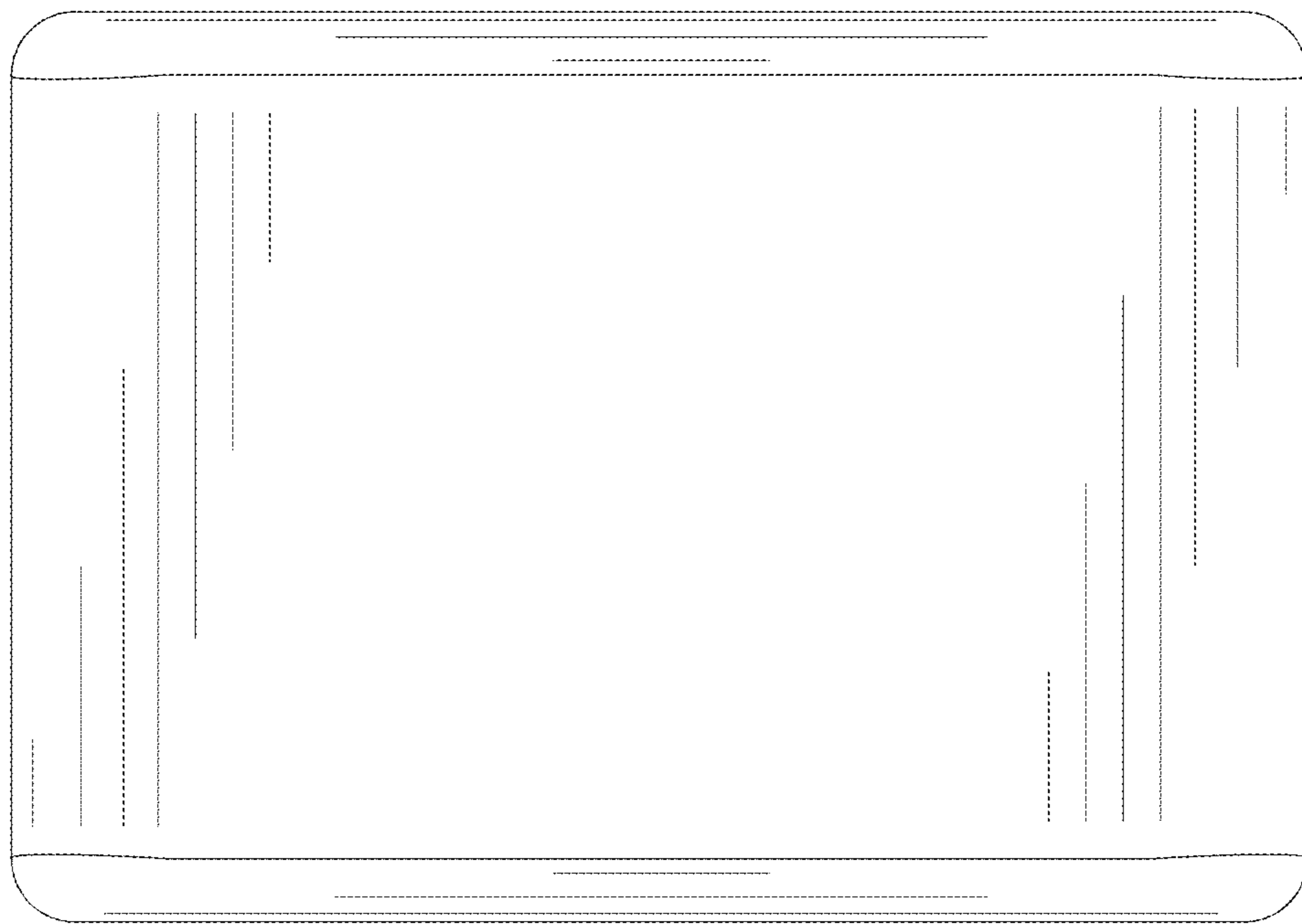


FIG. 9

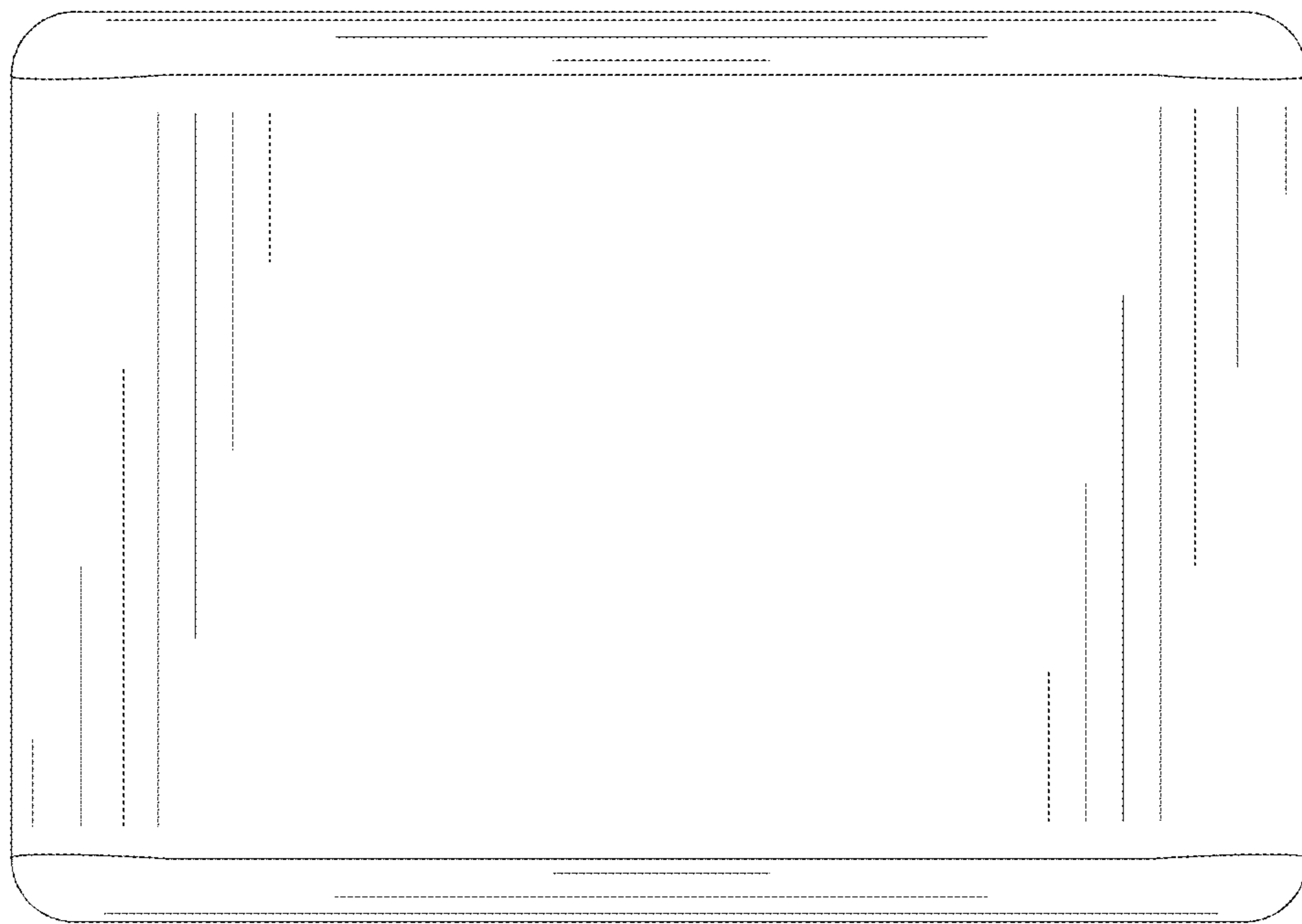


FIG. 10

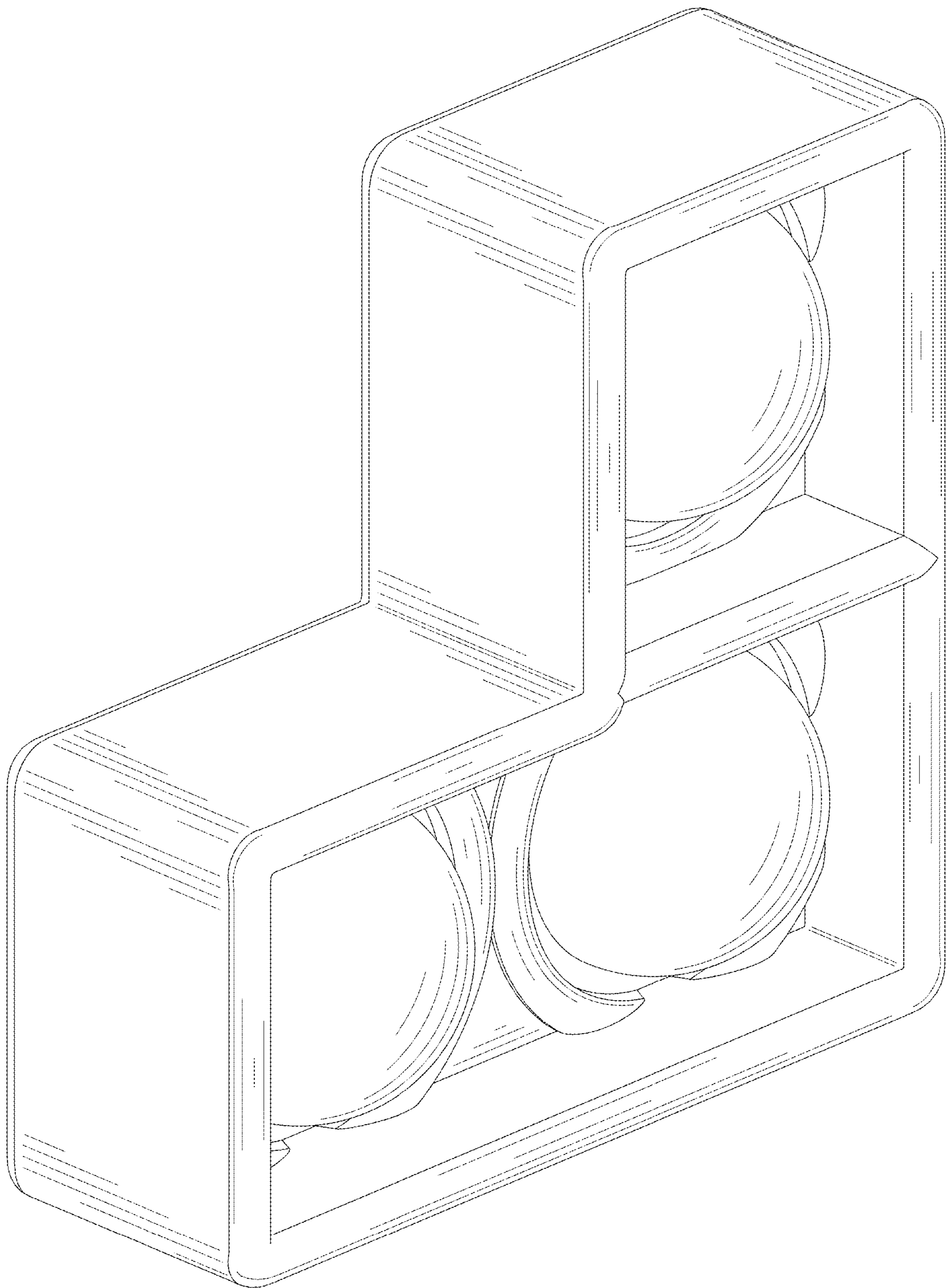


FIG. 11

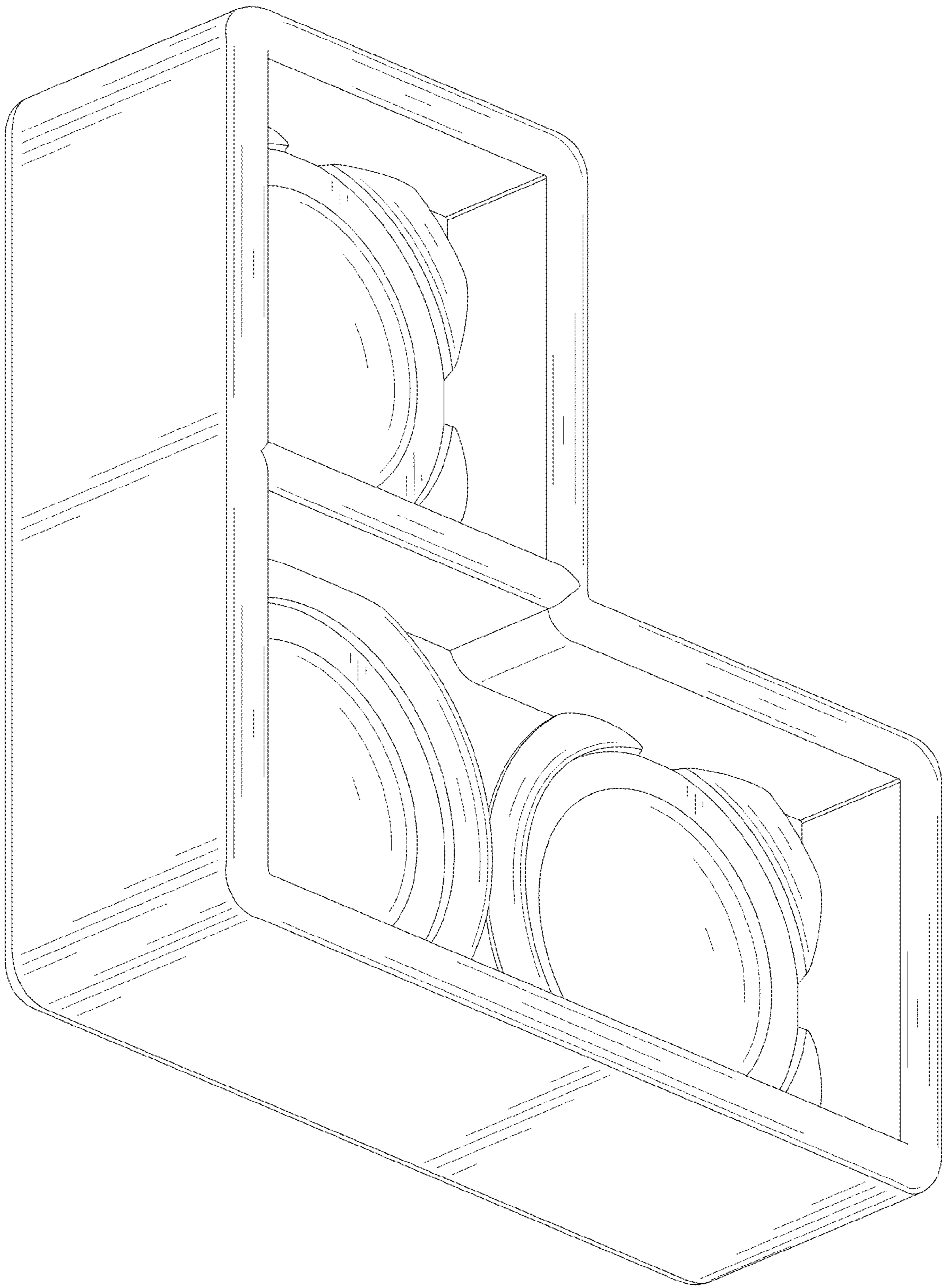


FIG. 12

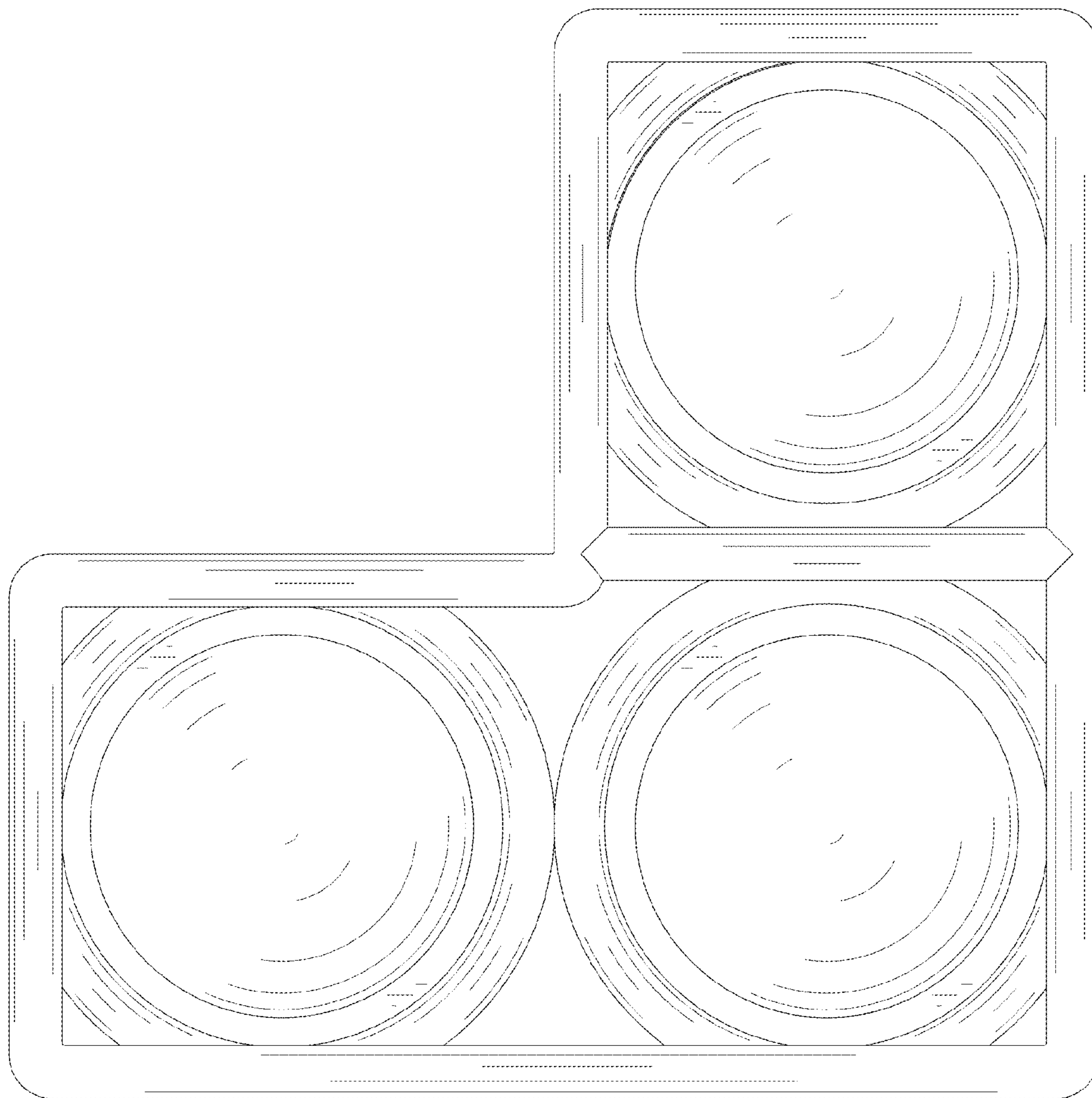


FIG. 13

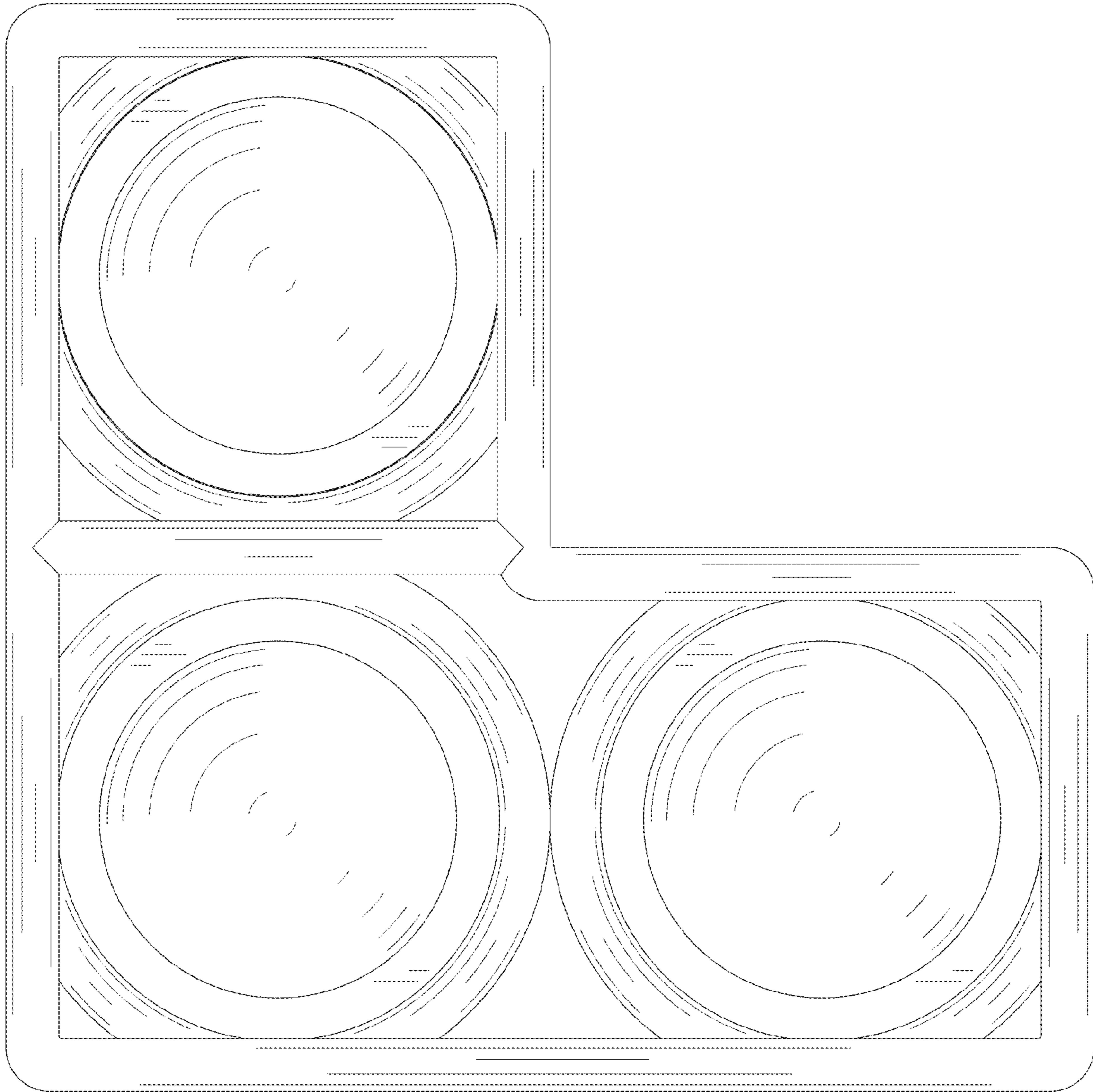


FIG.14

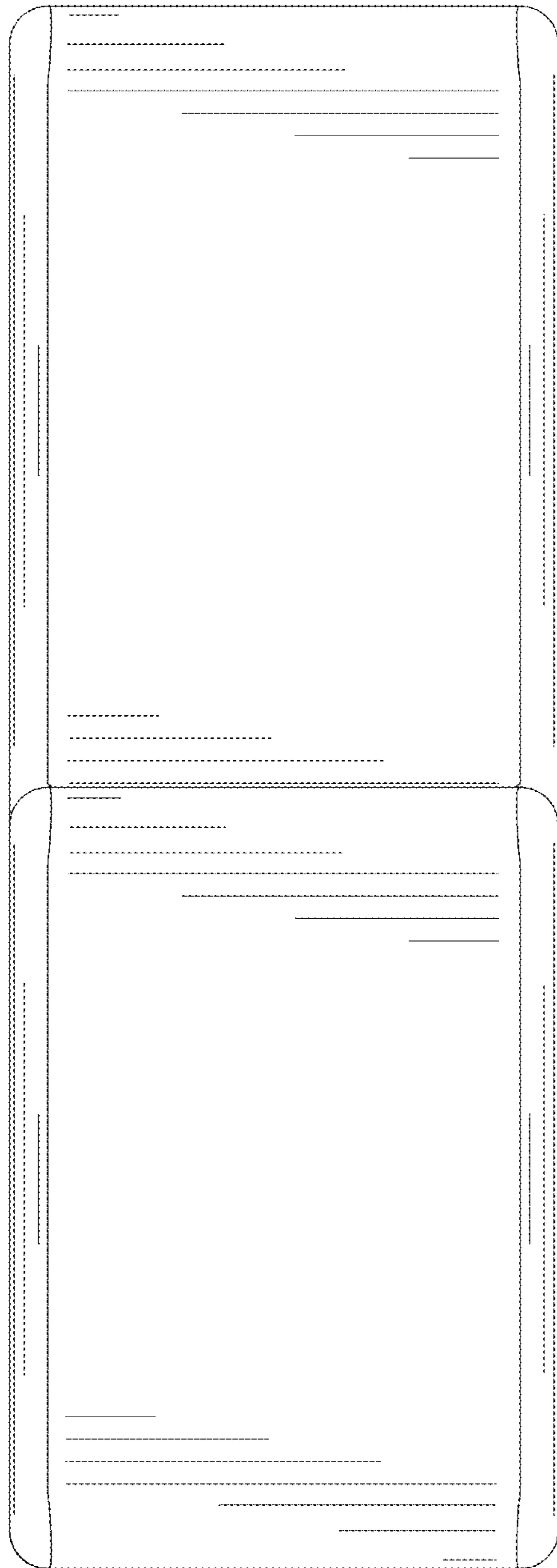


FIG. 15

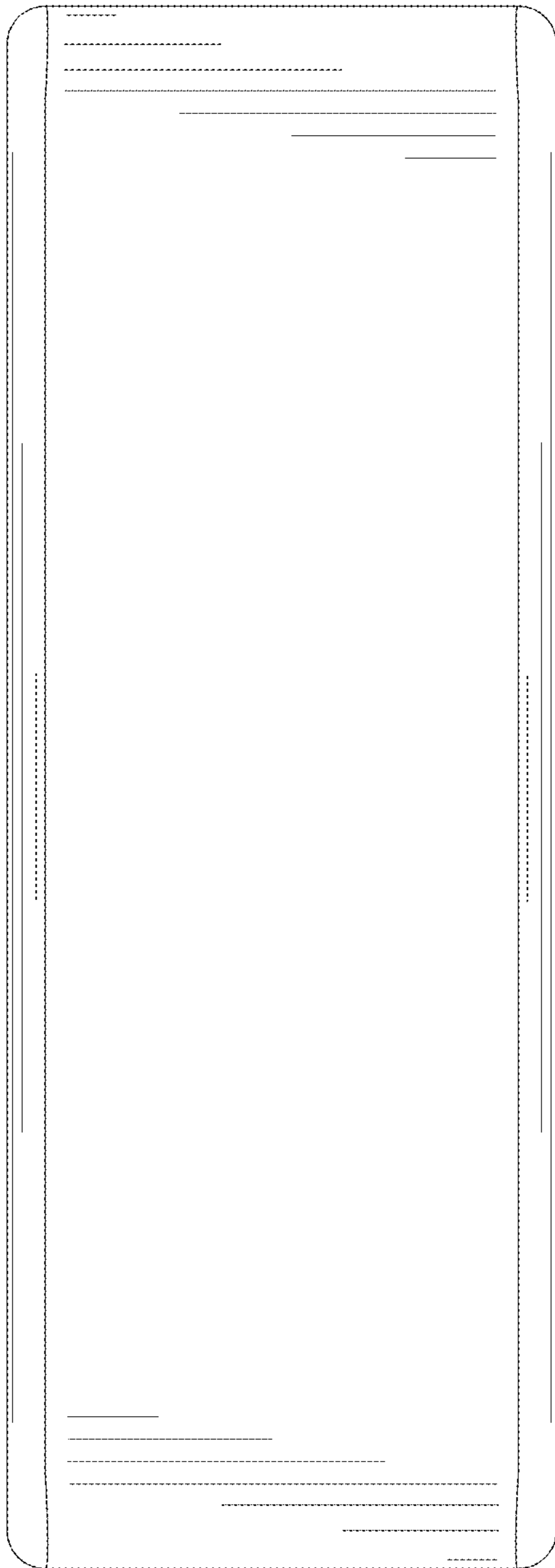


FIG. 16

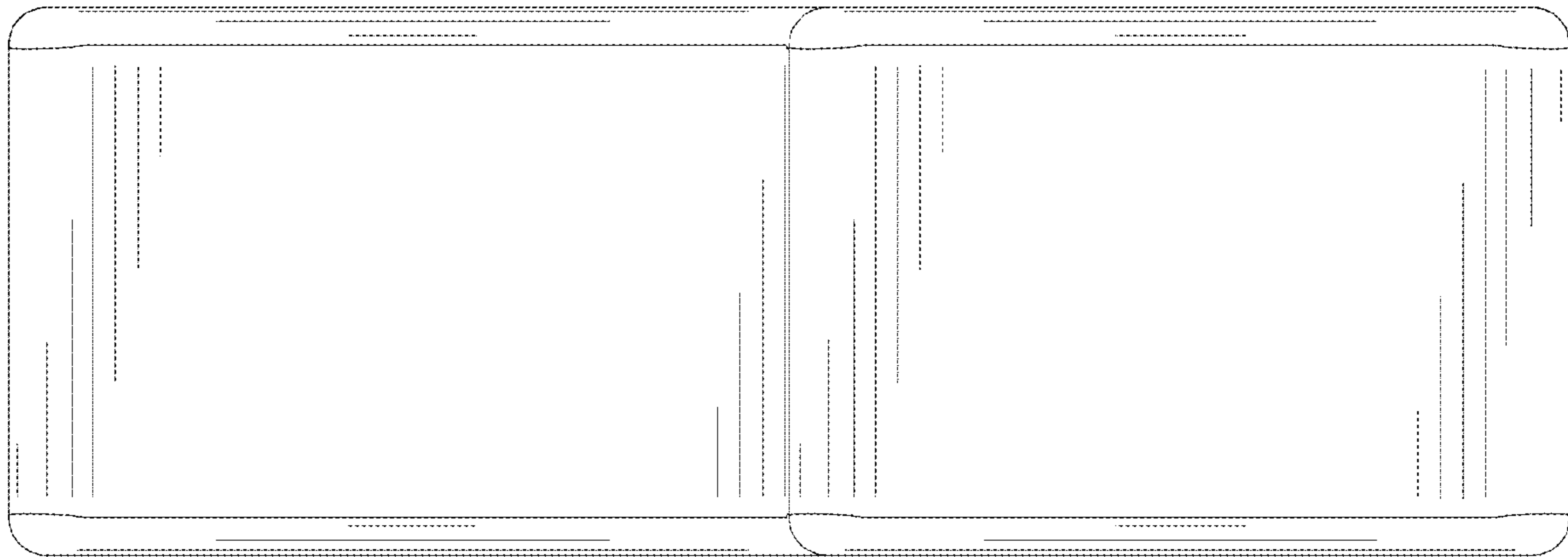


FIG. 17

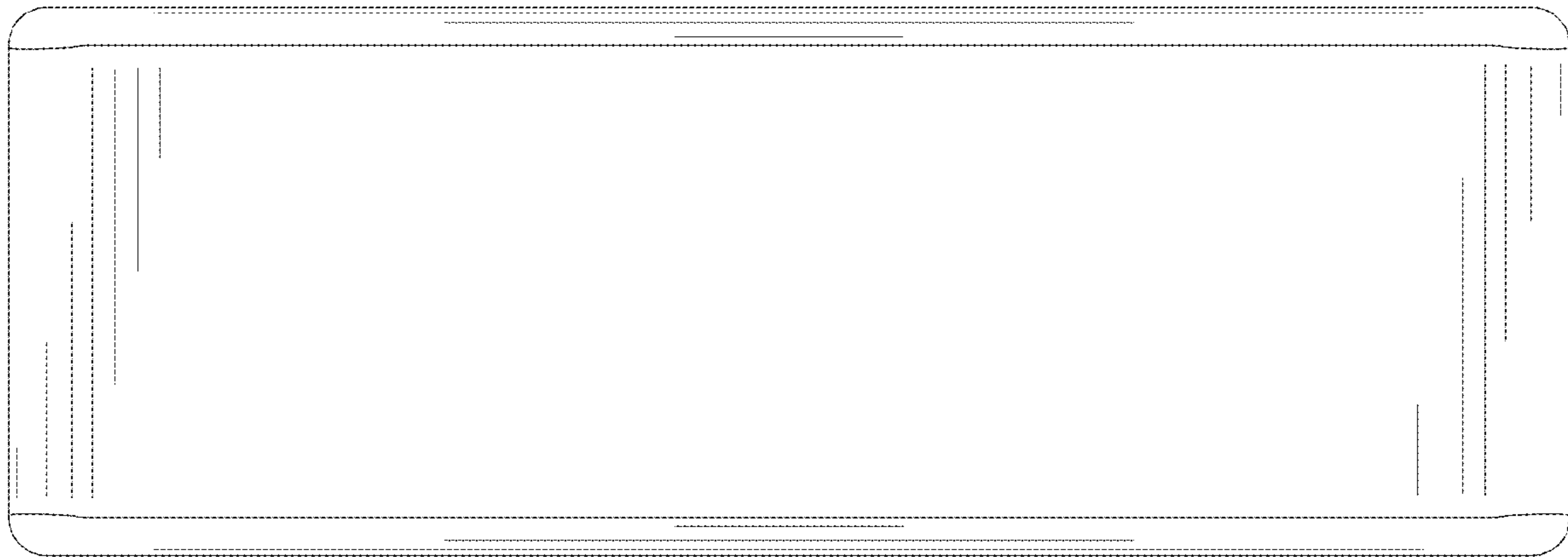


FIG. 18

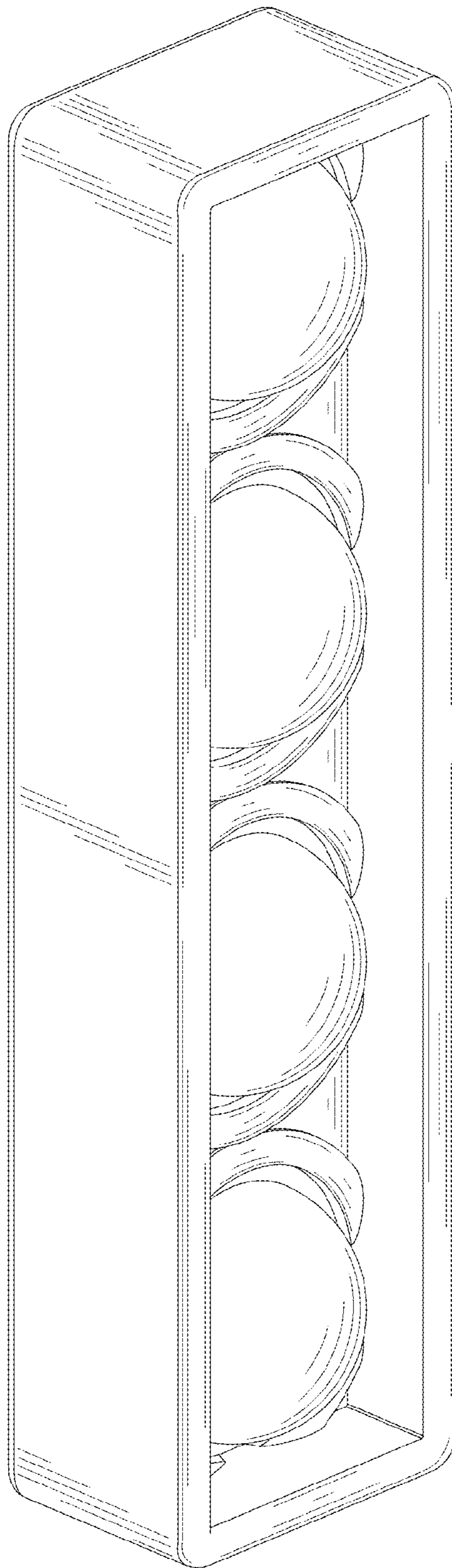


FIG. 19

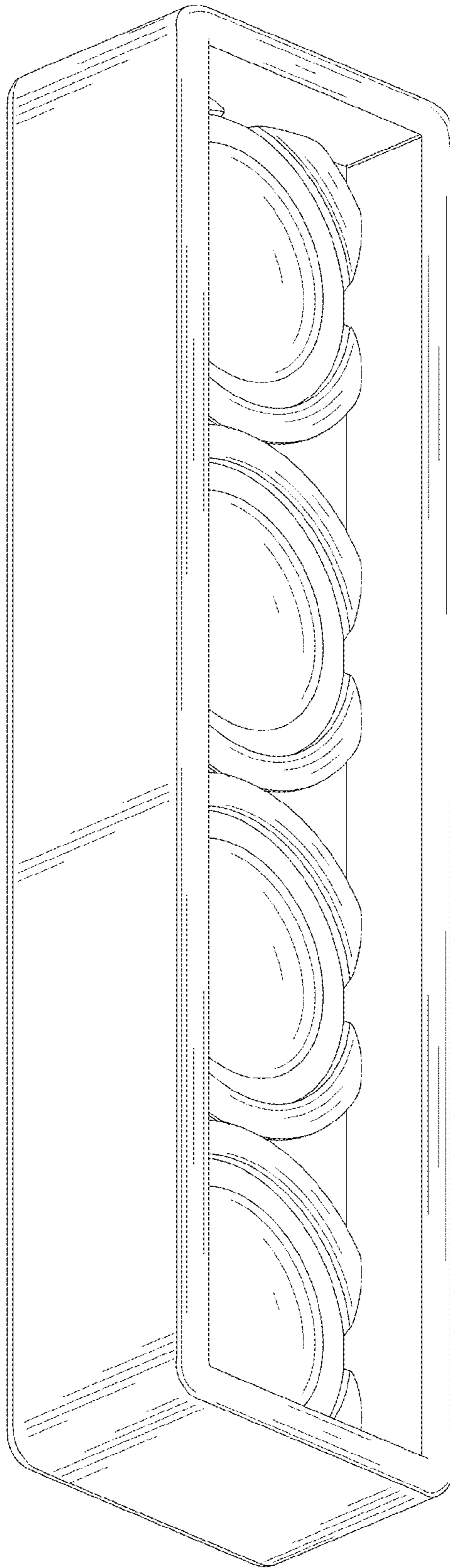


FIG. 20

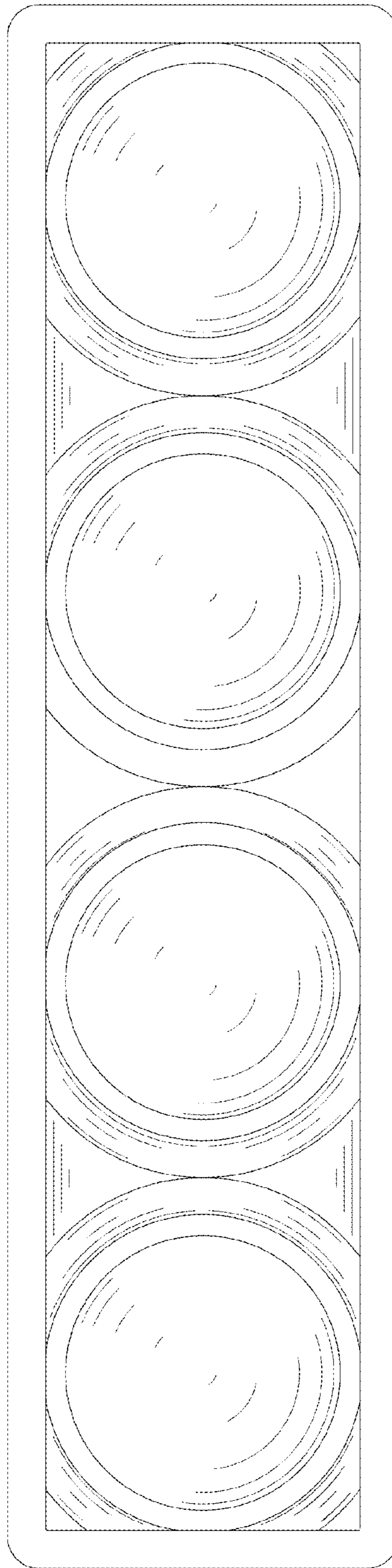


FIG. 21

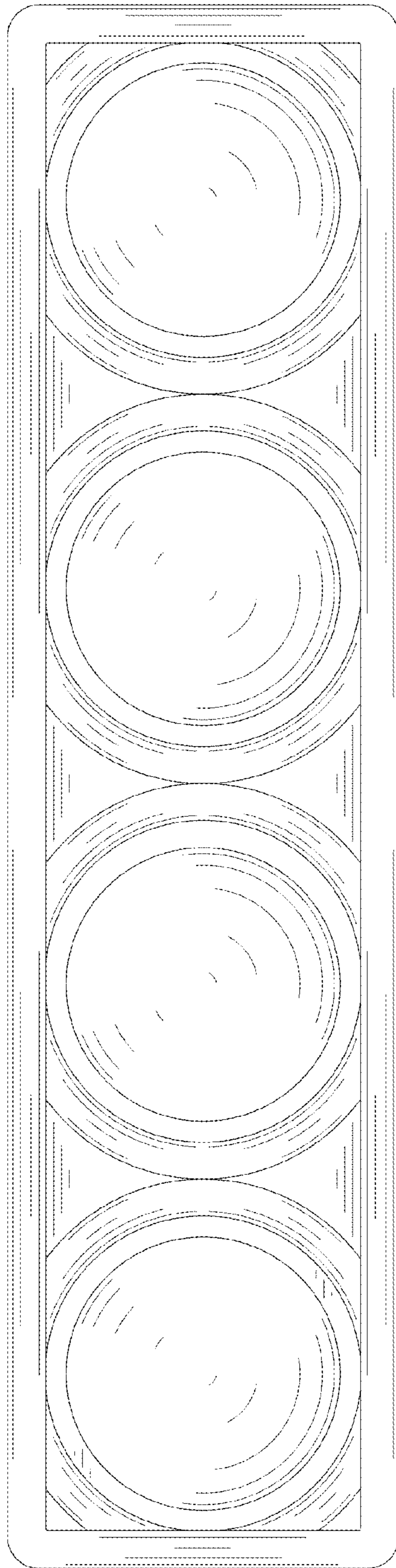


FIG. 22

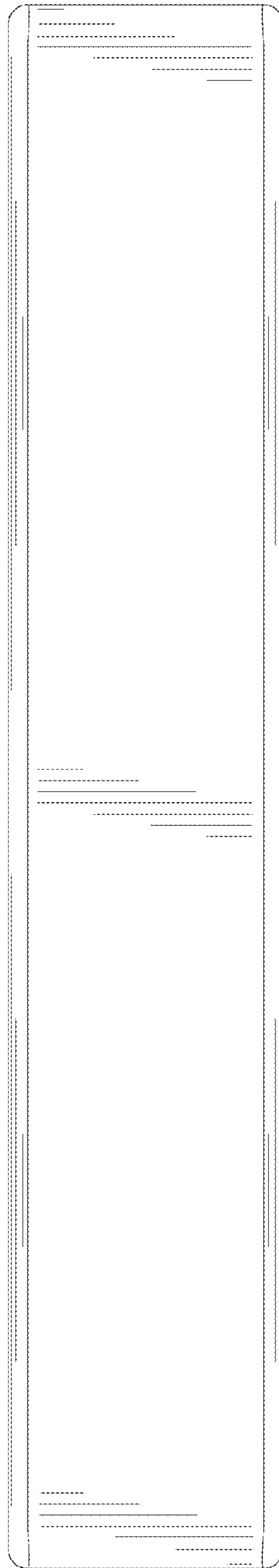


FIG. 23

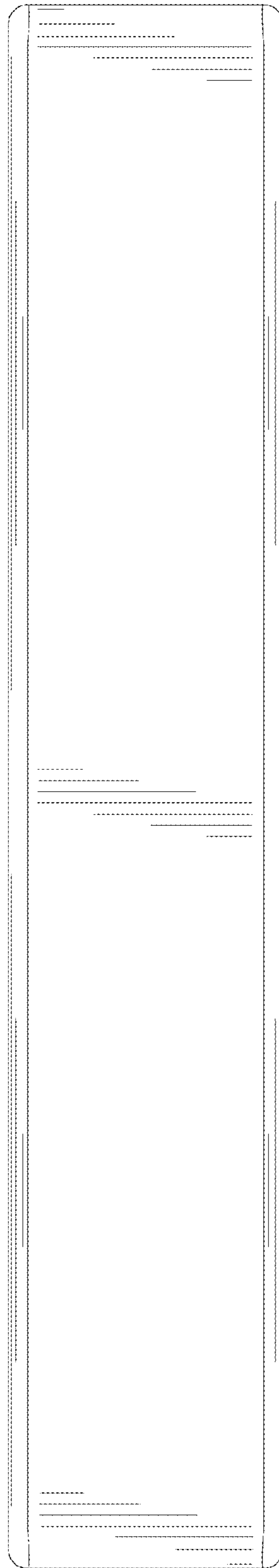


FIG.24

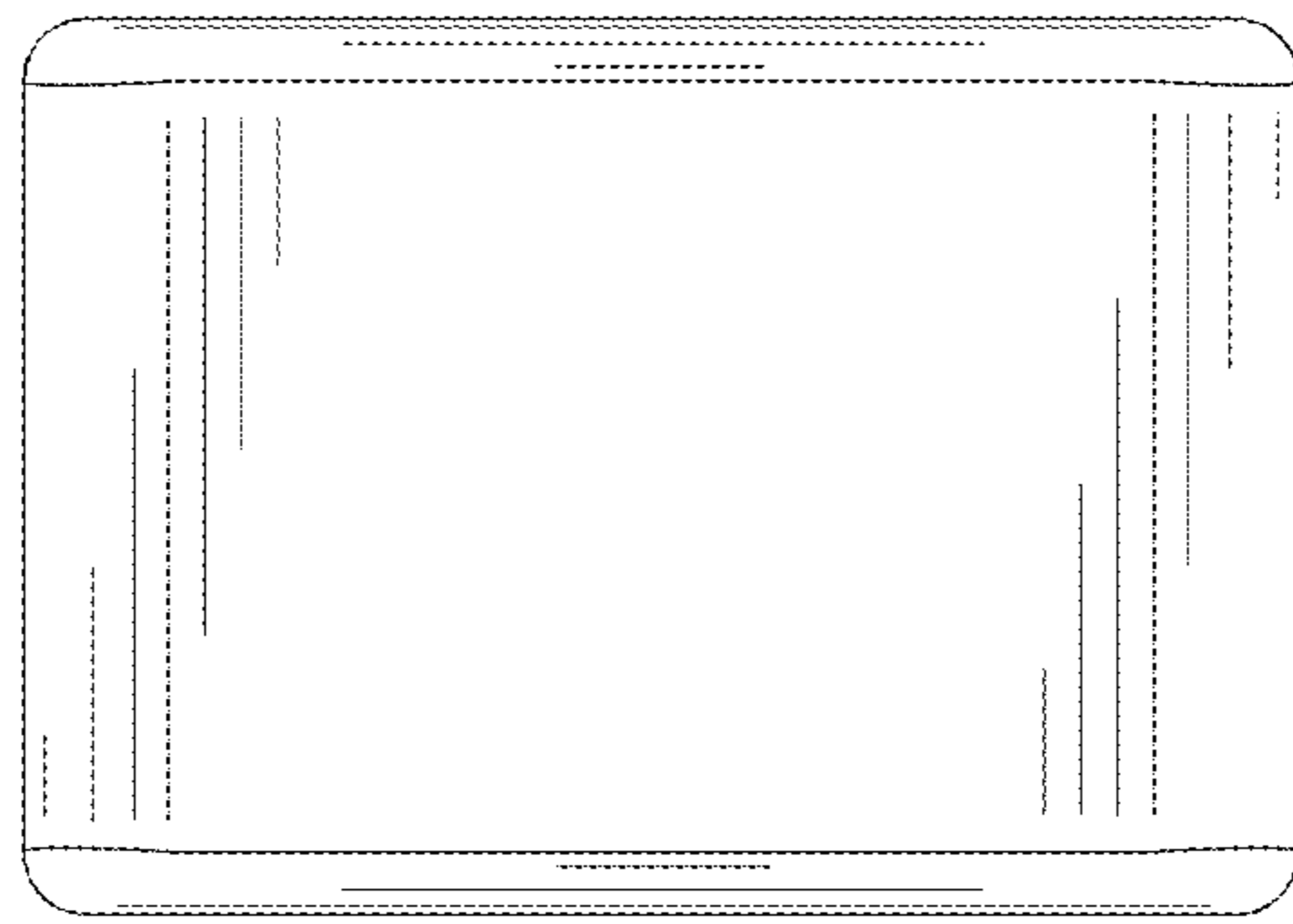


FIG. 25

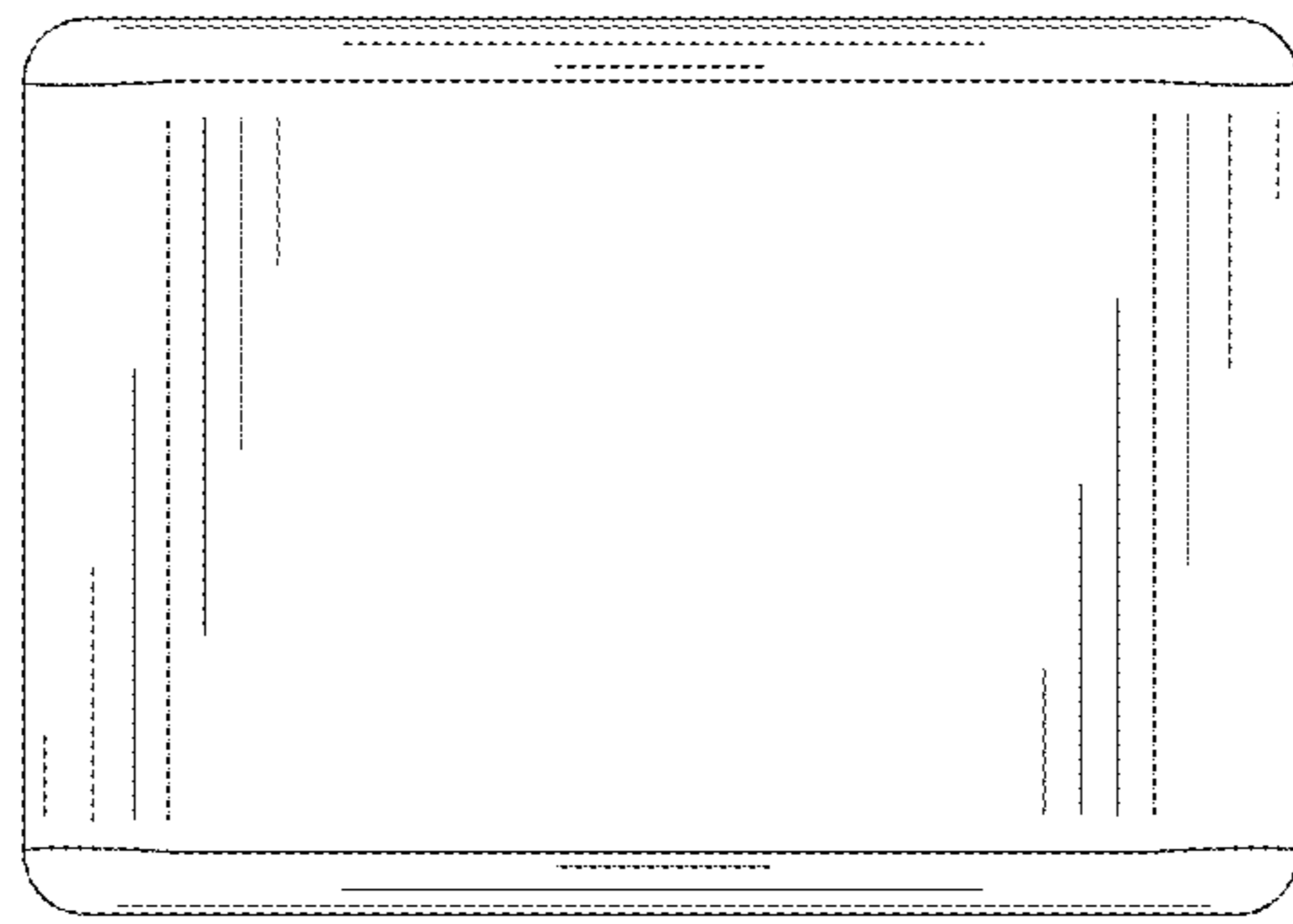


FIG. 26

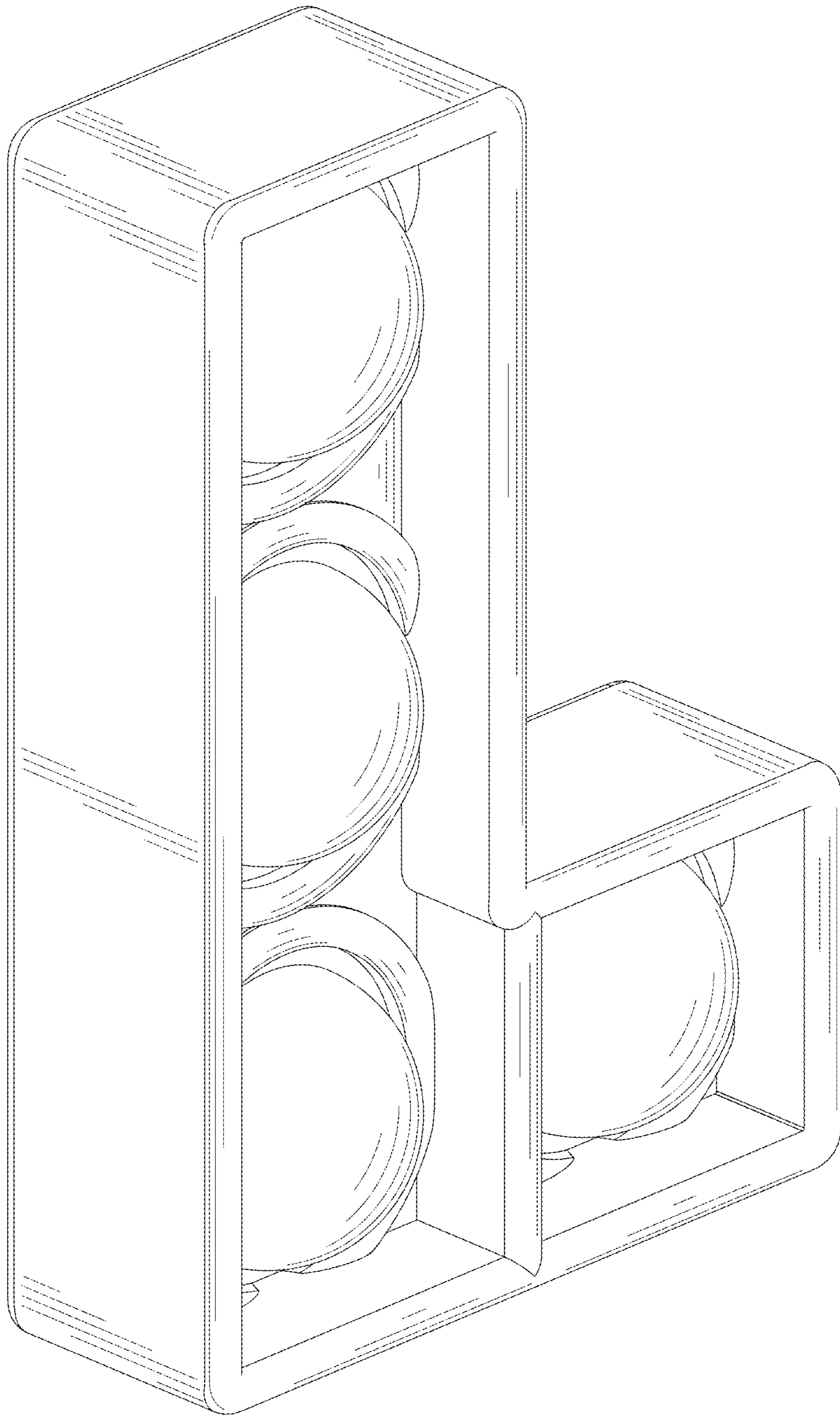


FIG. 27

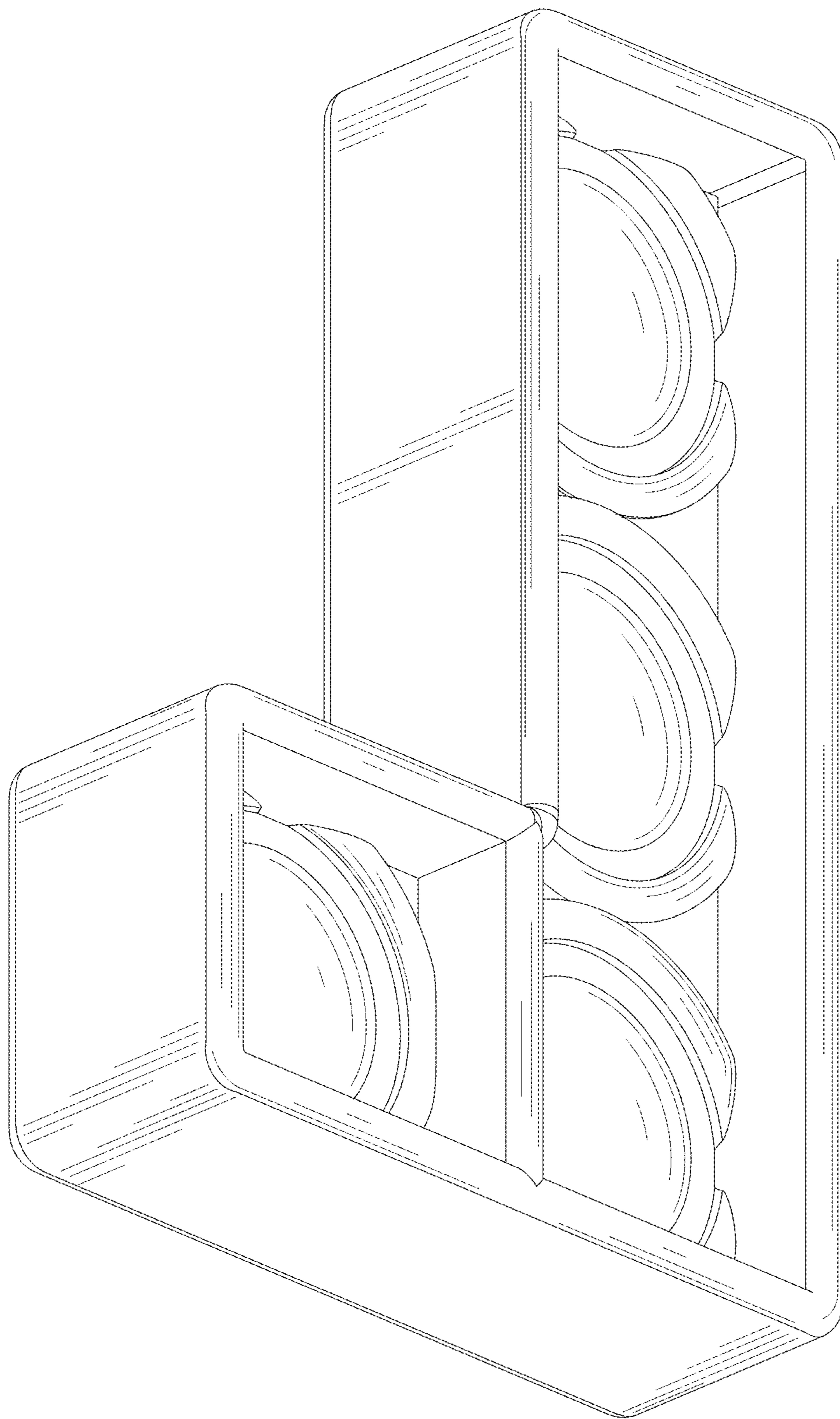


FIG. 28

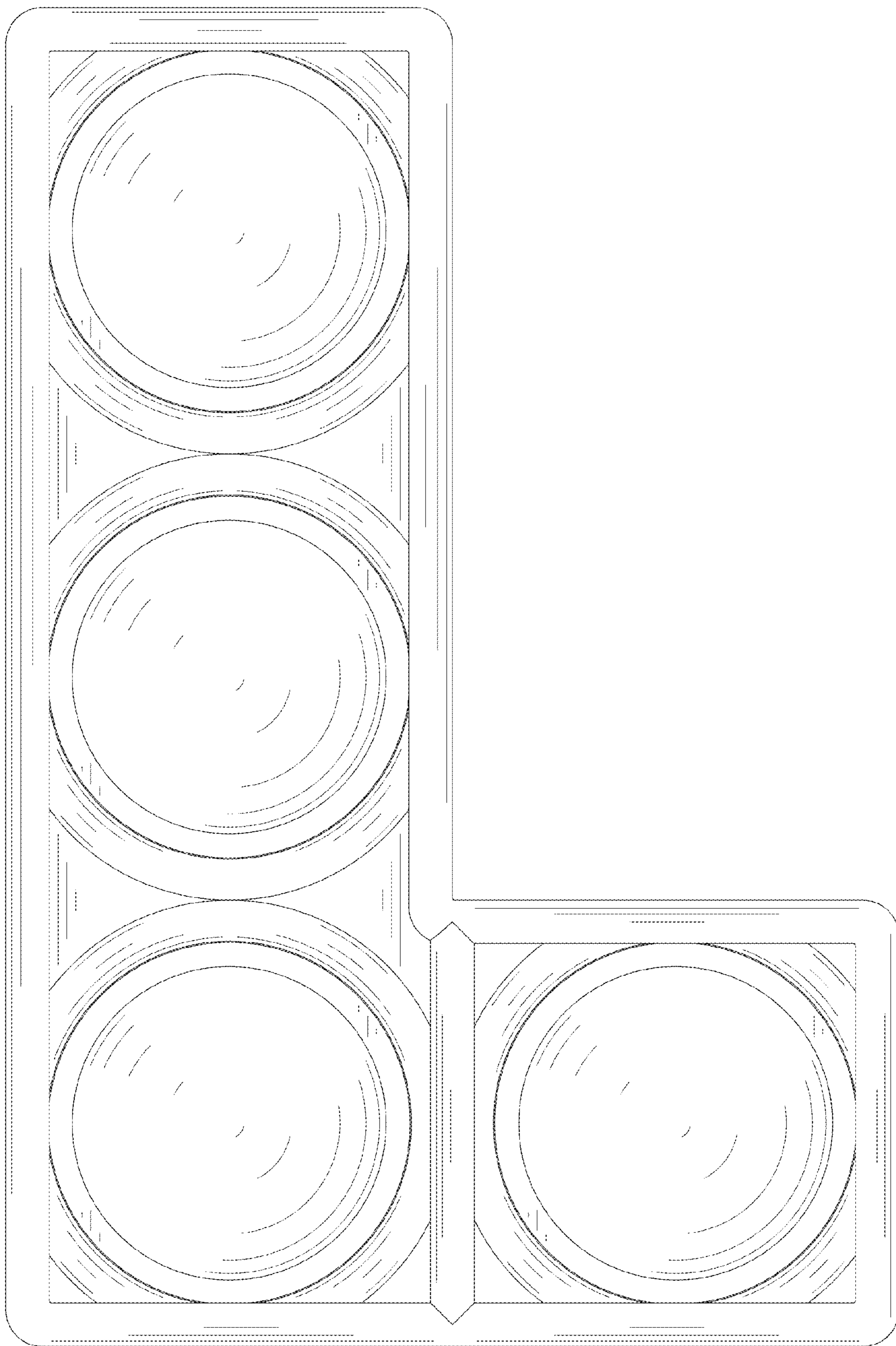


FIG. 29

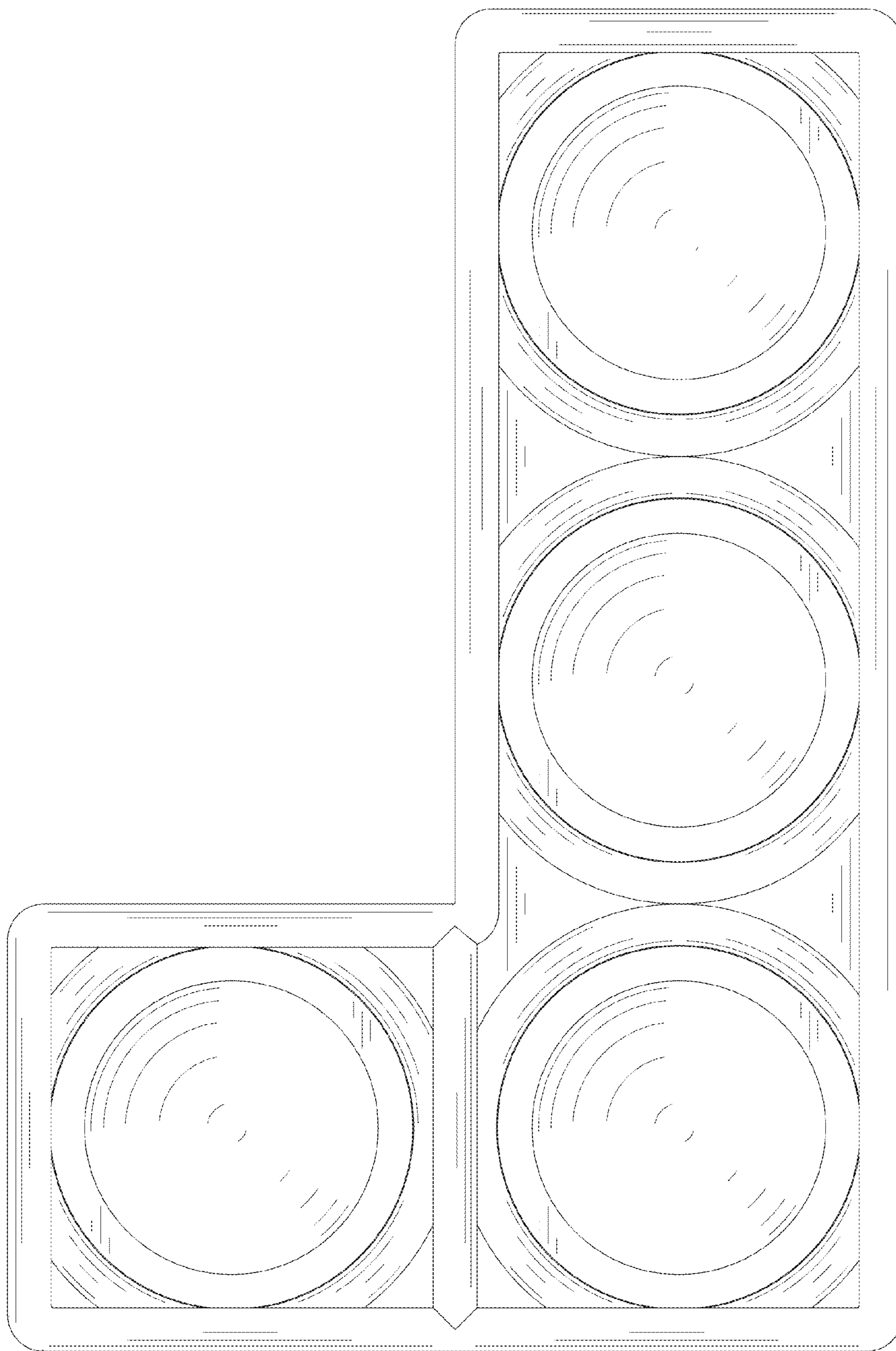


FIG. 30

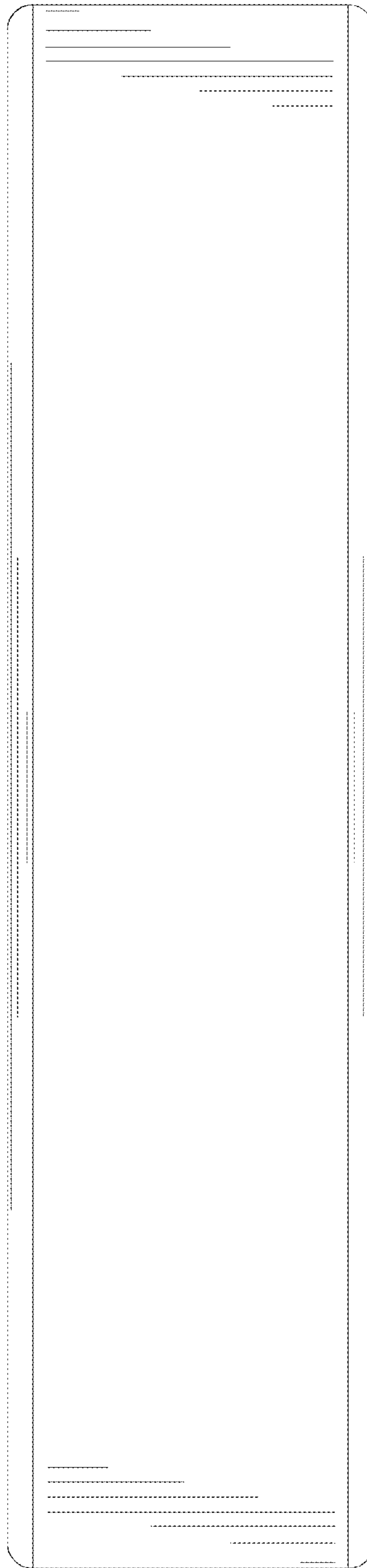


FIG. 31

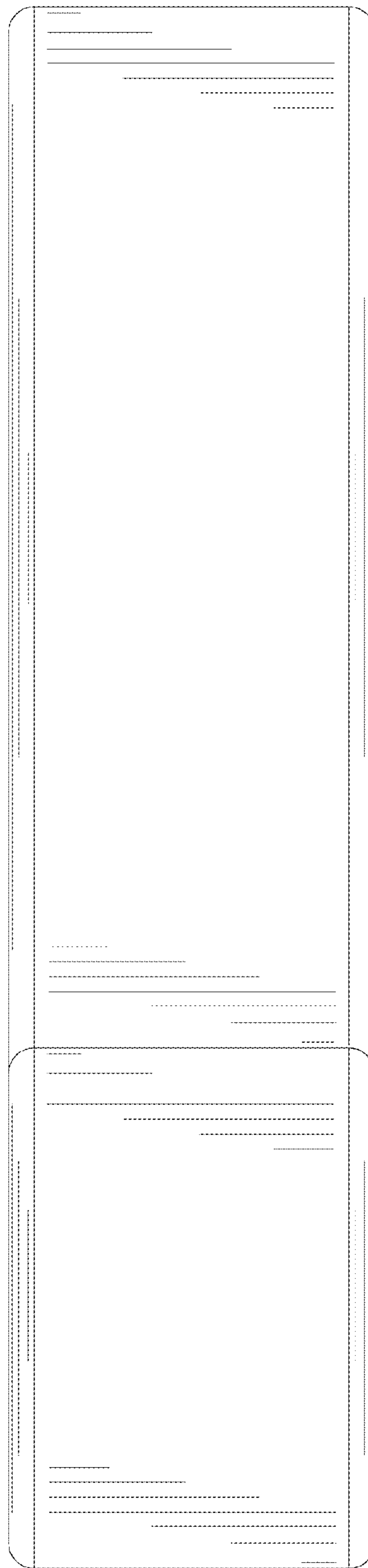


FIG. 32

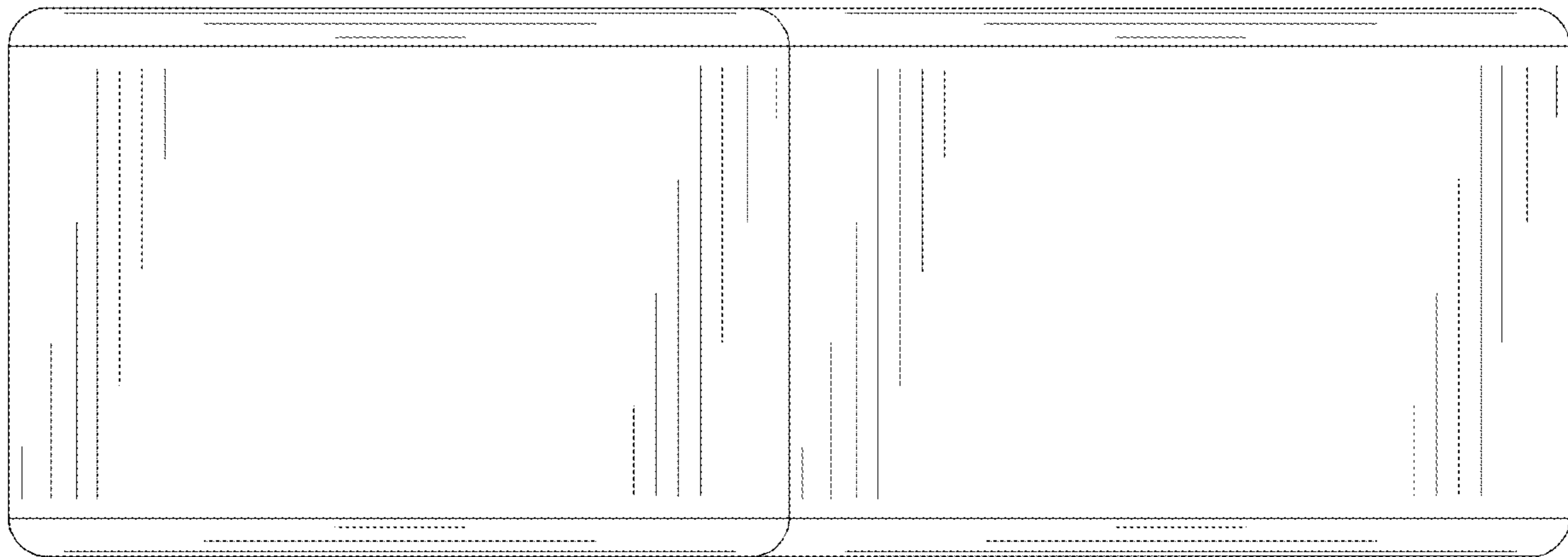


FIG. 33

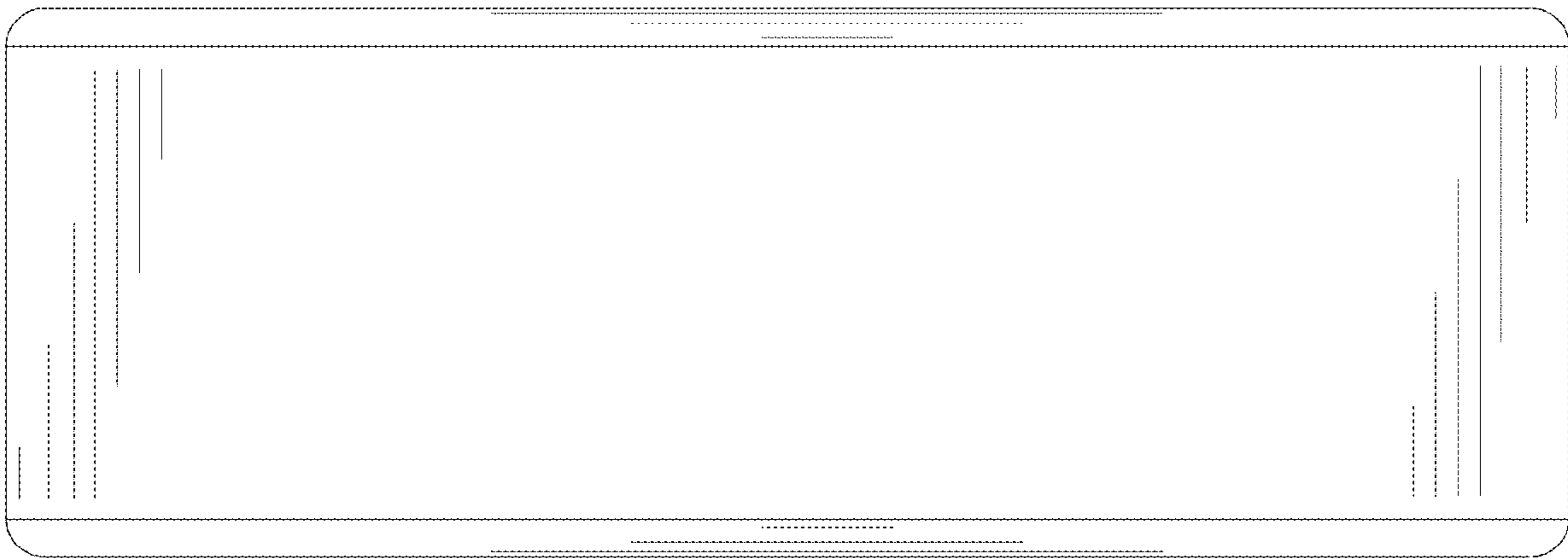


FIG. 34

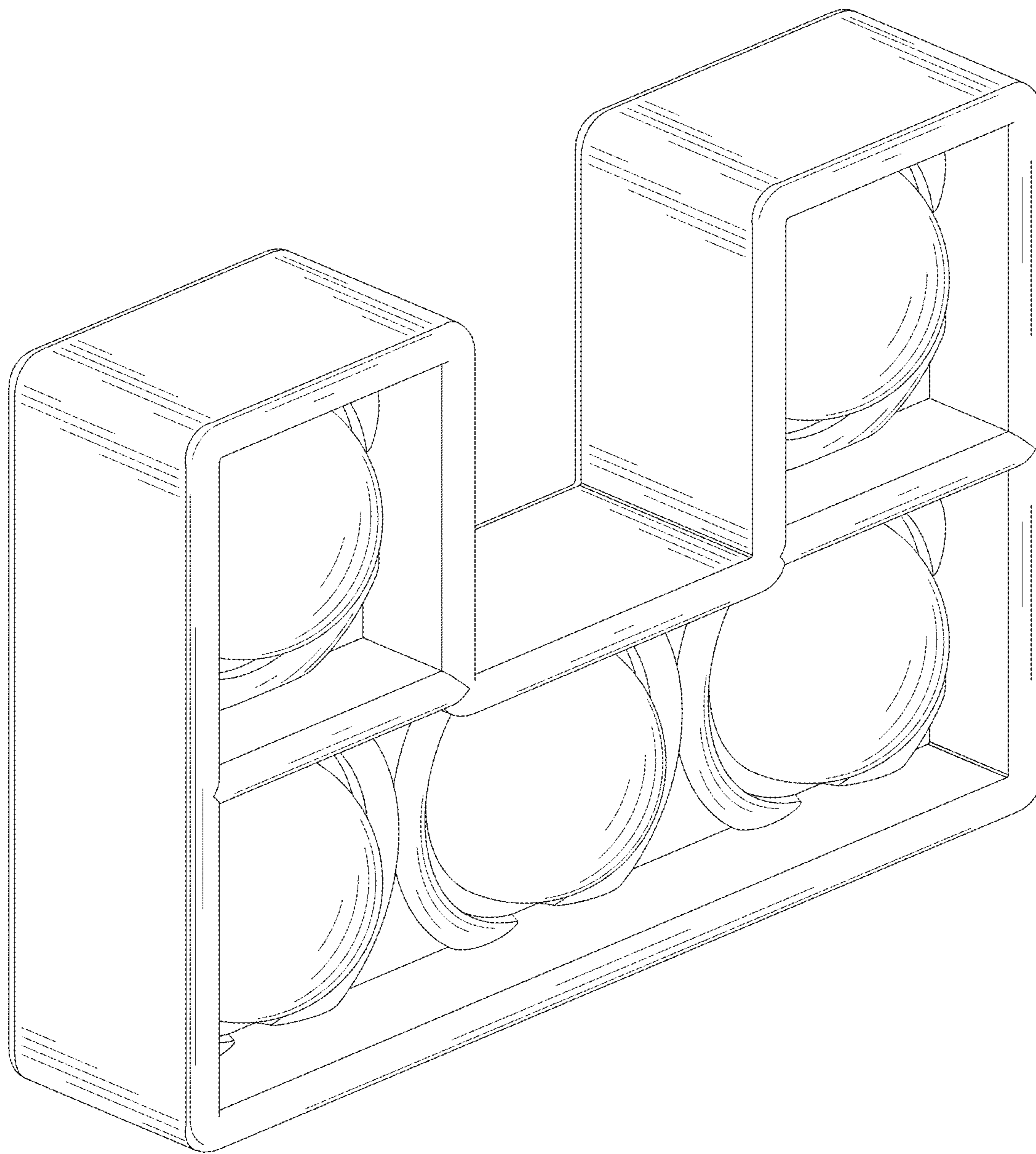


FIG. 35

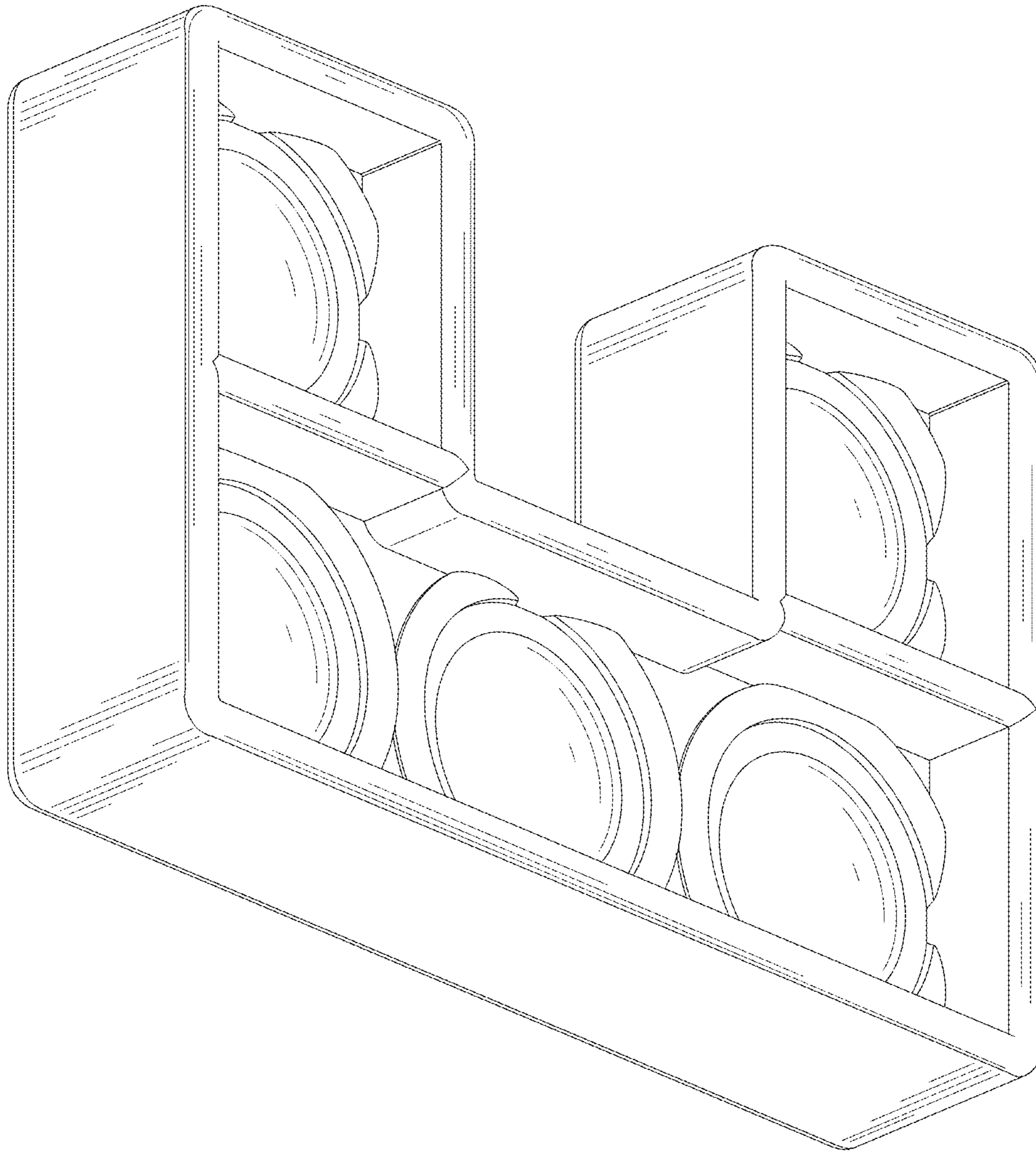


FIG. 36

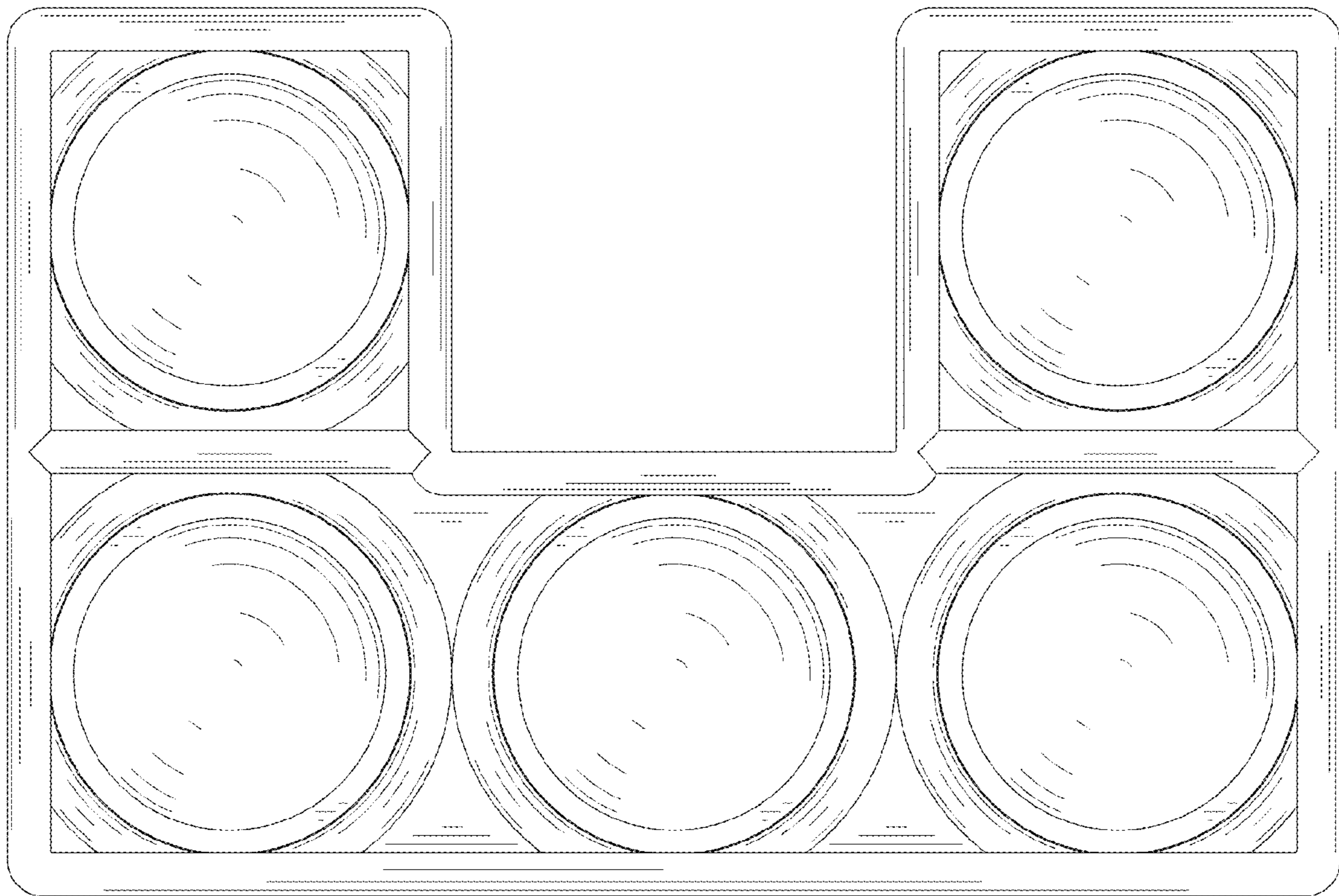


FIG. 37

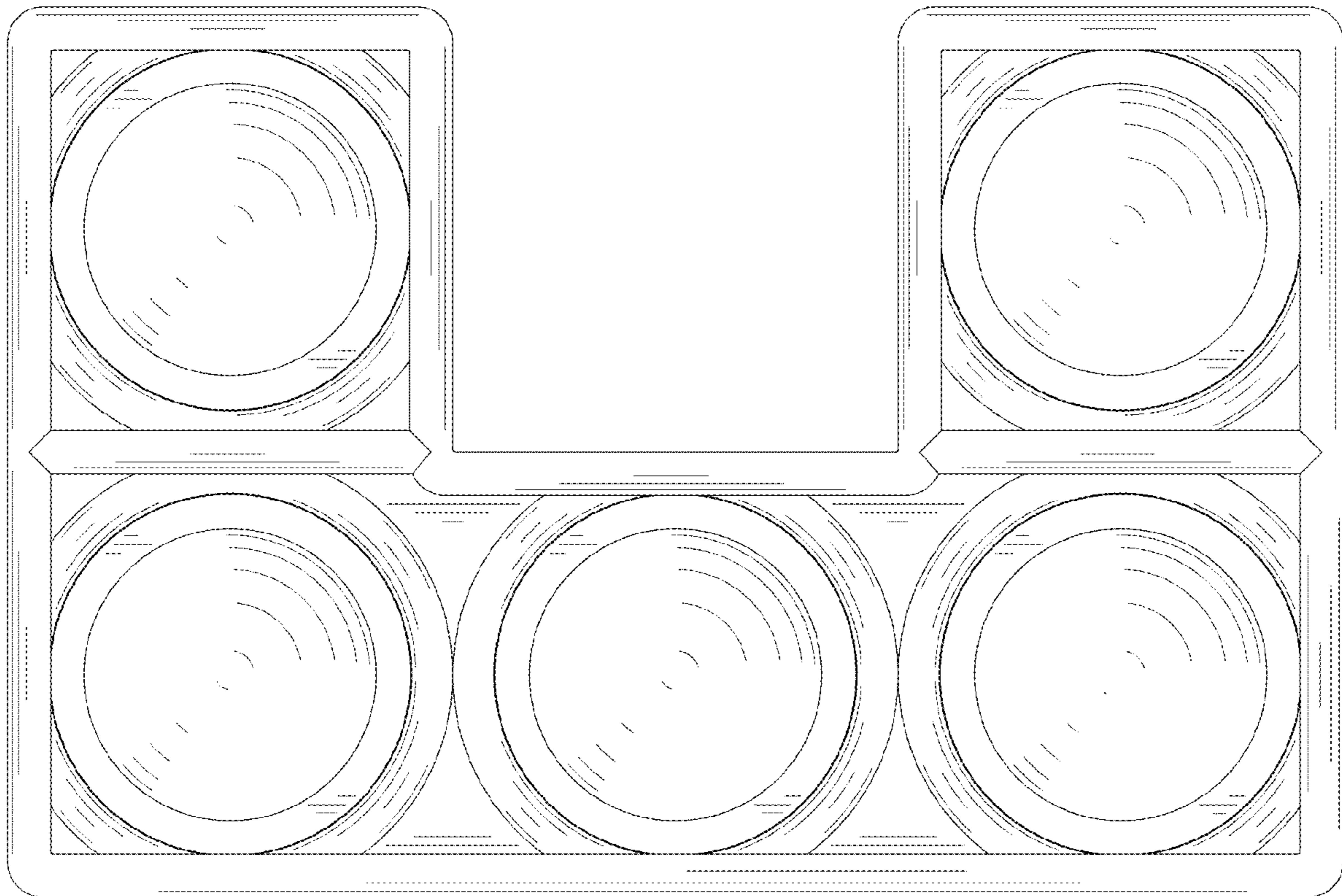


FIG. 38

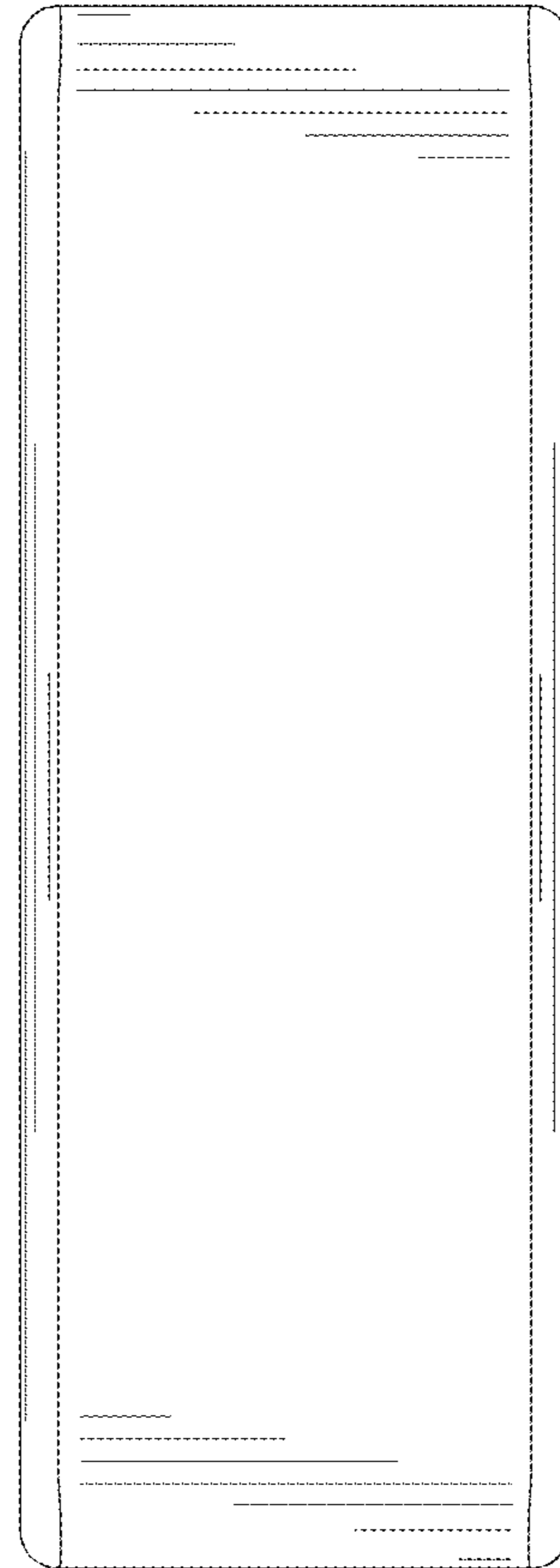


FIG. 39

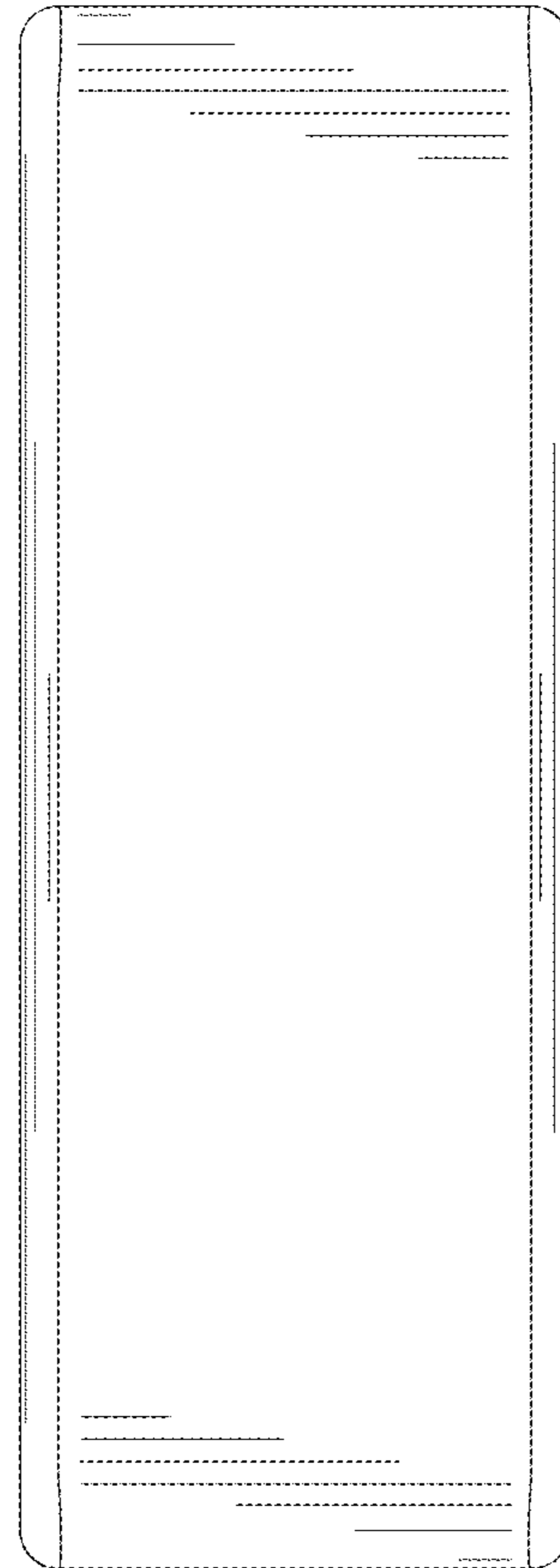


FIG. 40

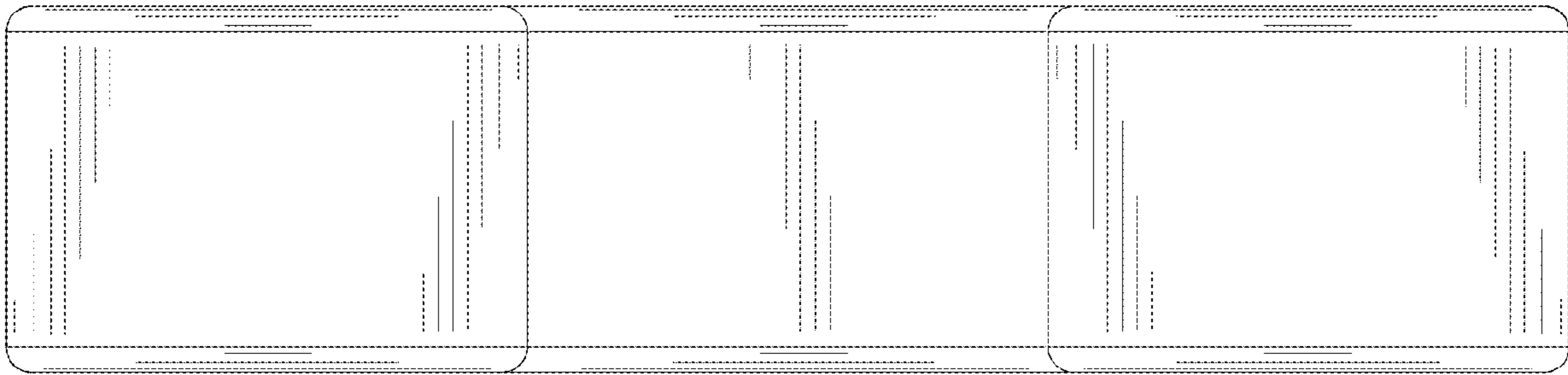


FIG. 41



FIG. 42

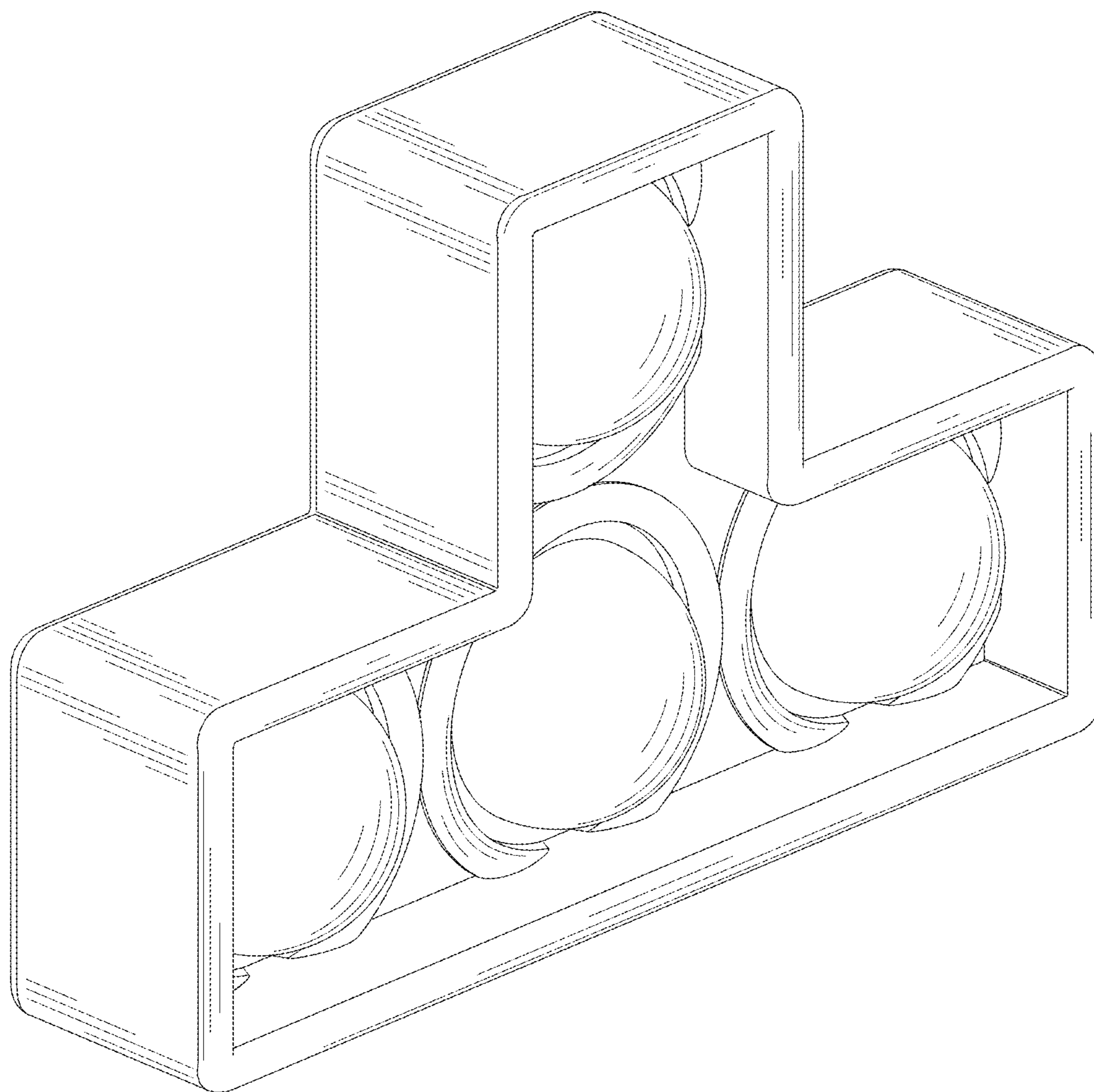


FIG. 43

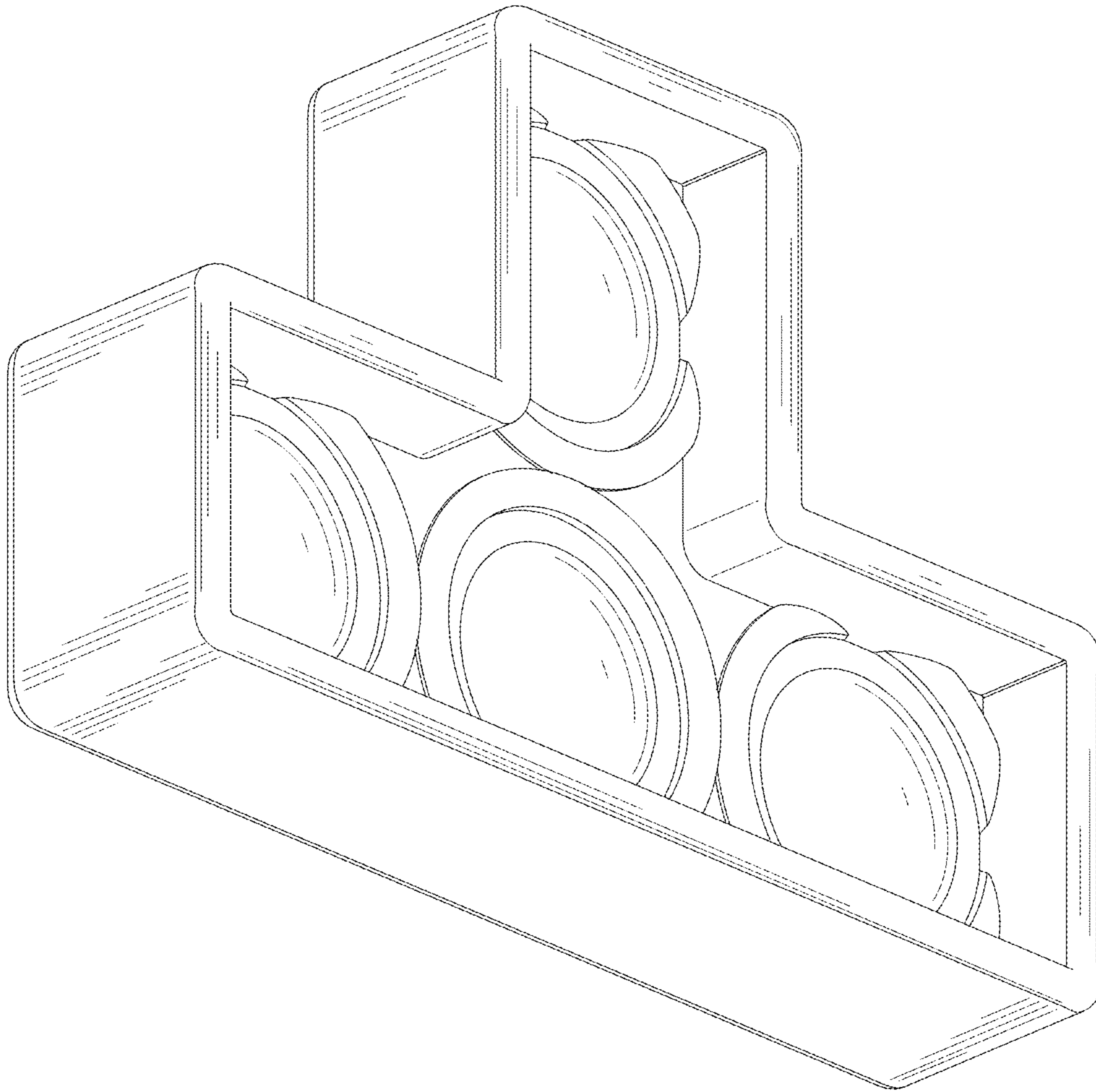


FIG. 44

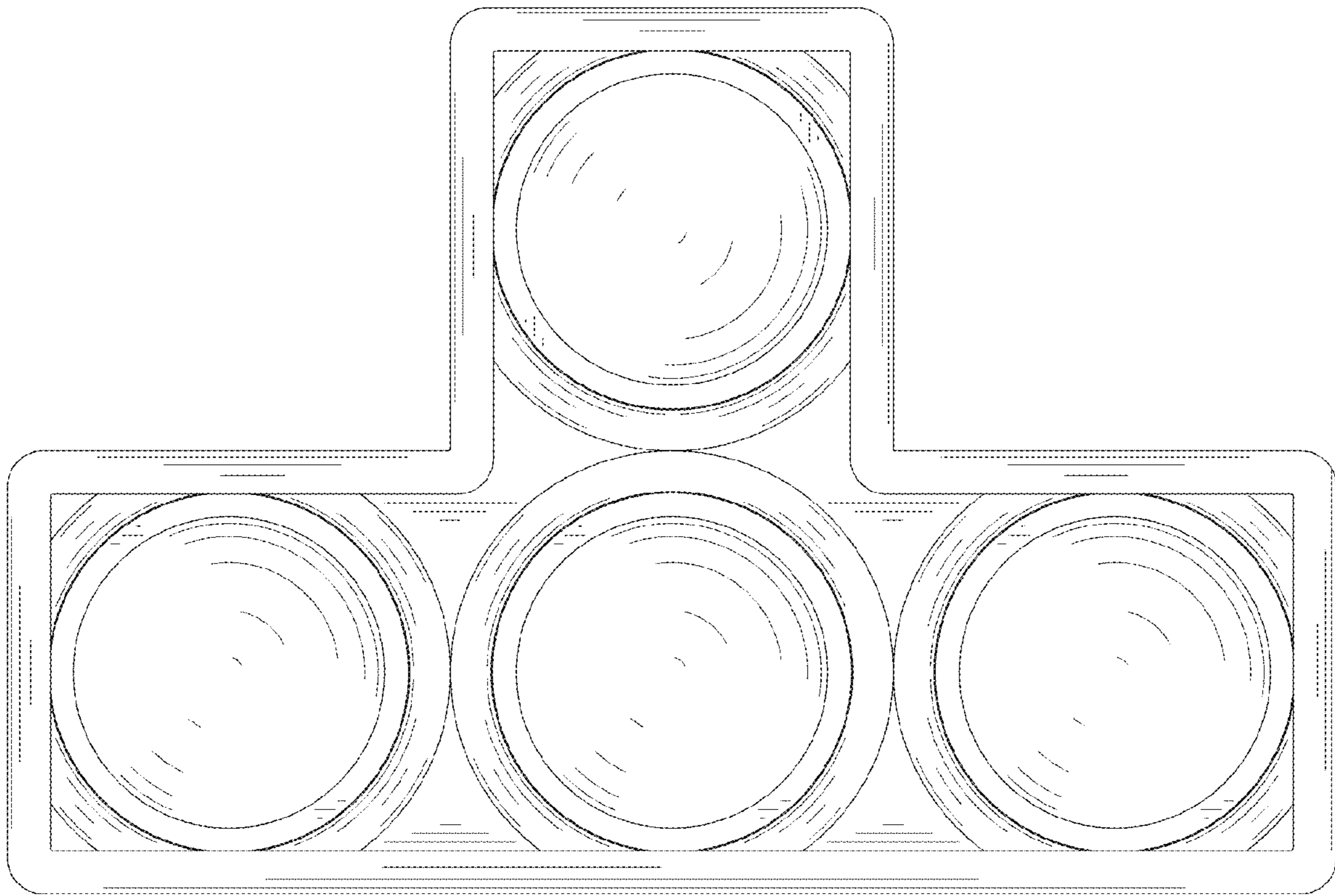


FIG. 45

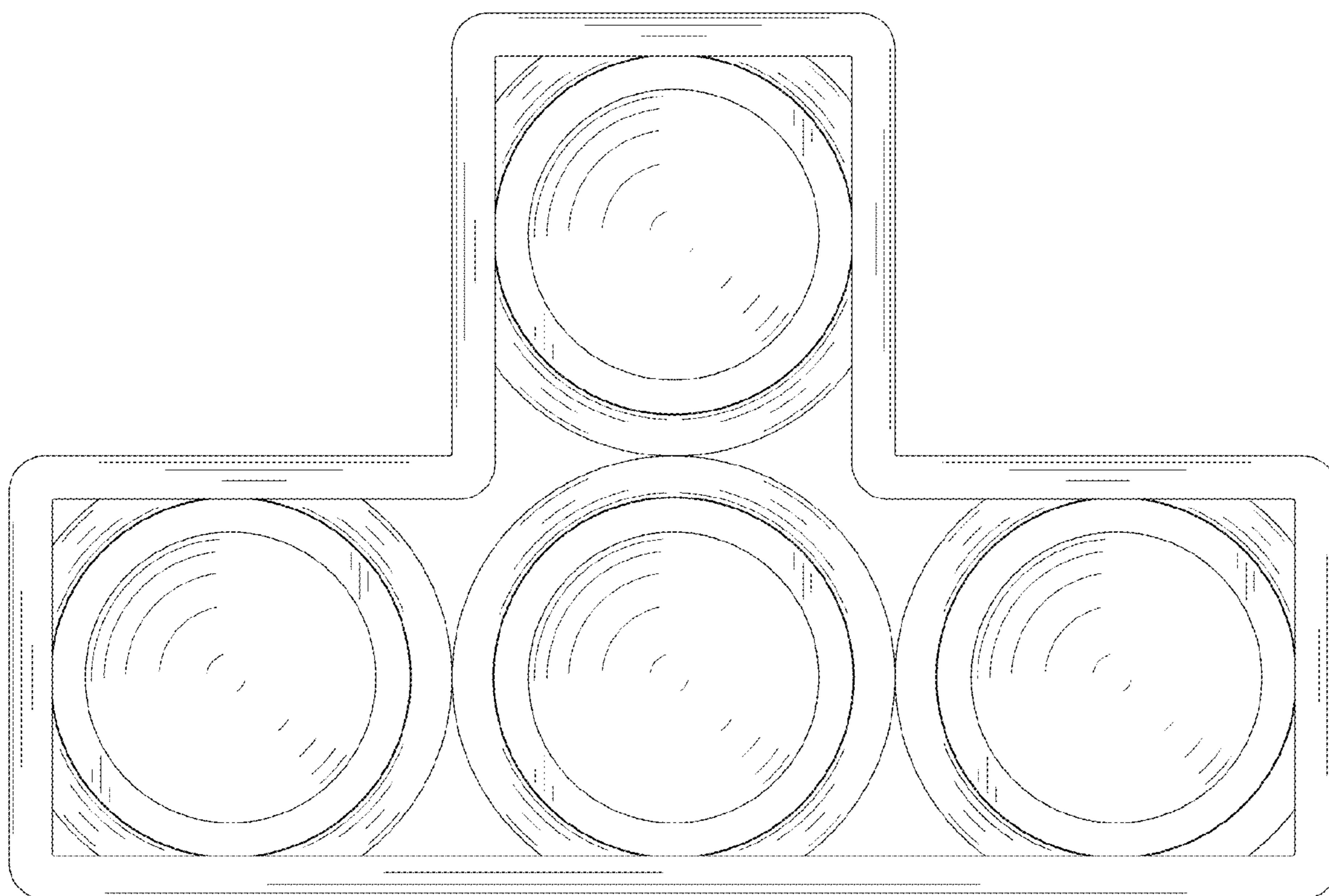


FIG. 46

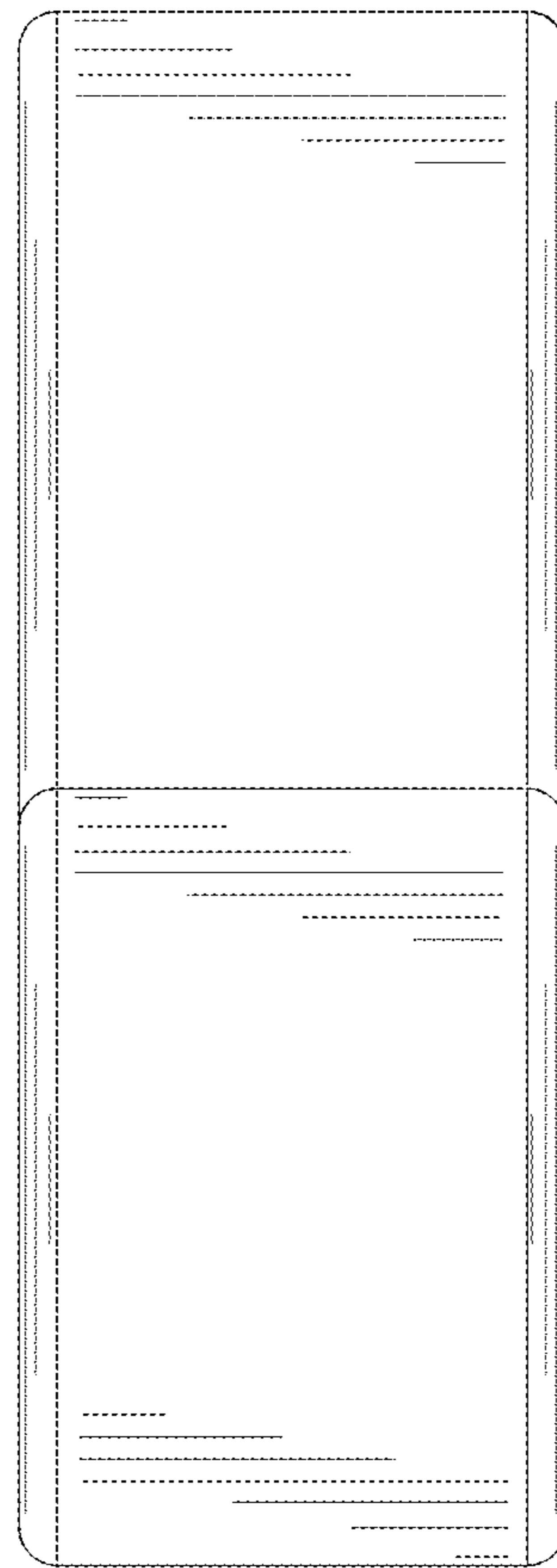


FIG. 47

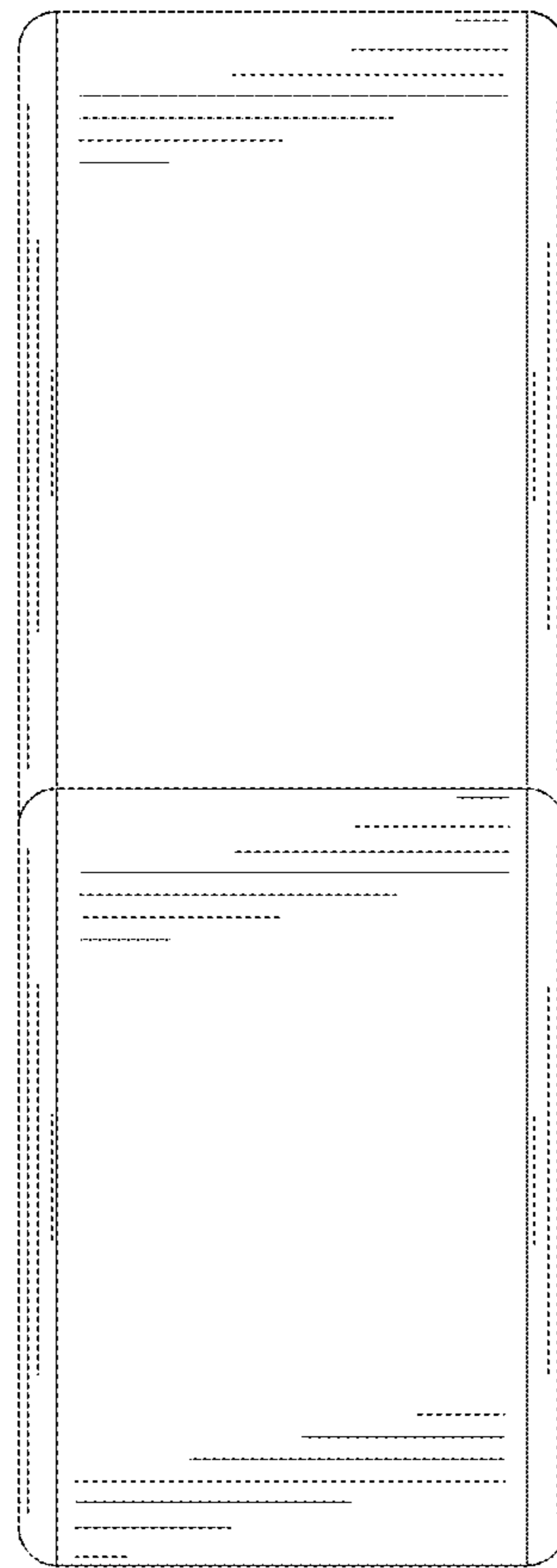


FIG. 48

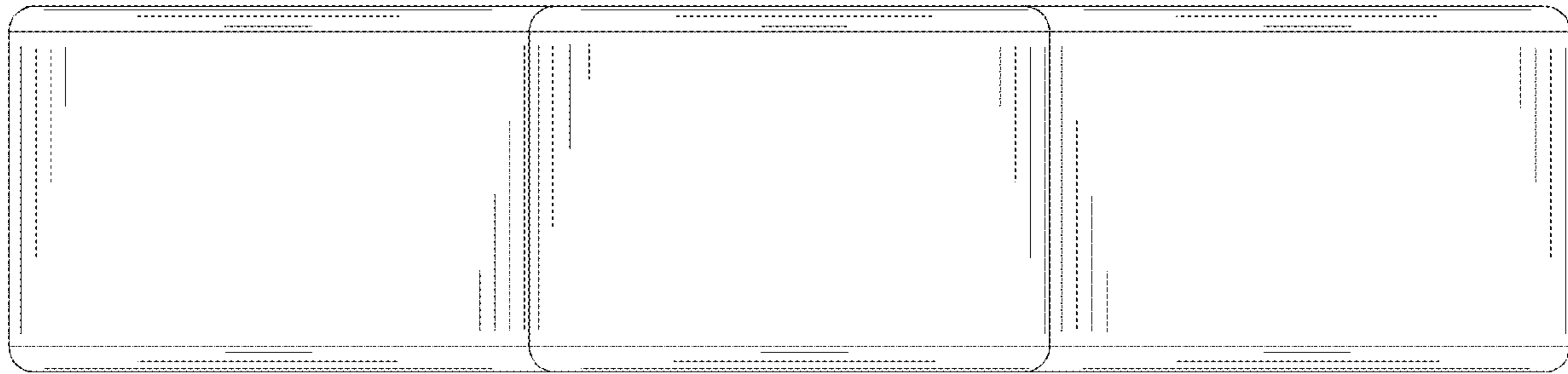


FIG. 49

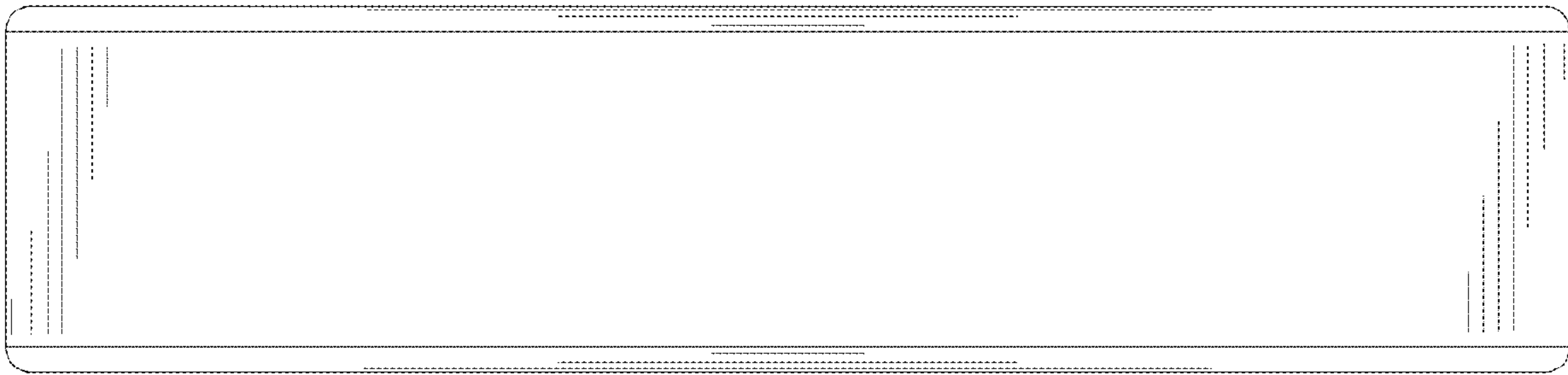


FIG. 50

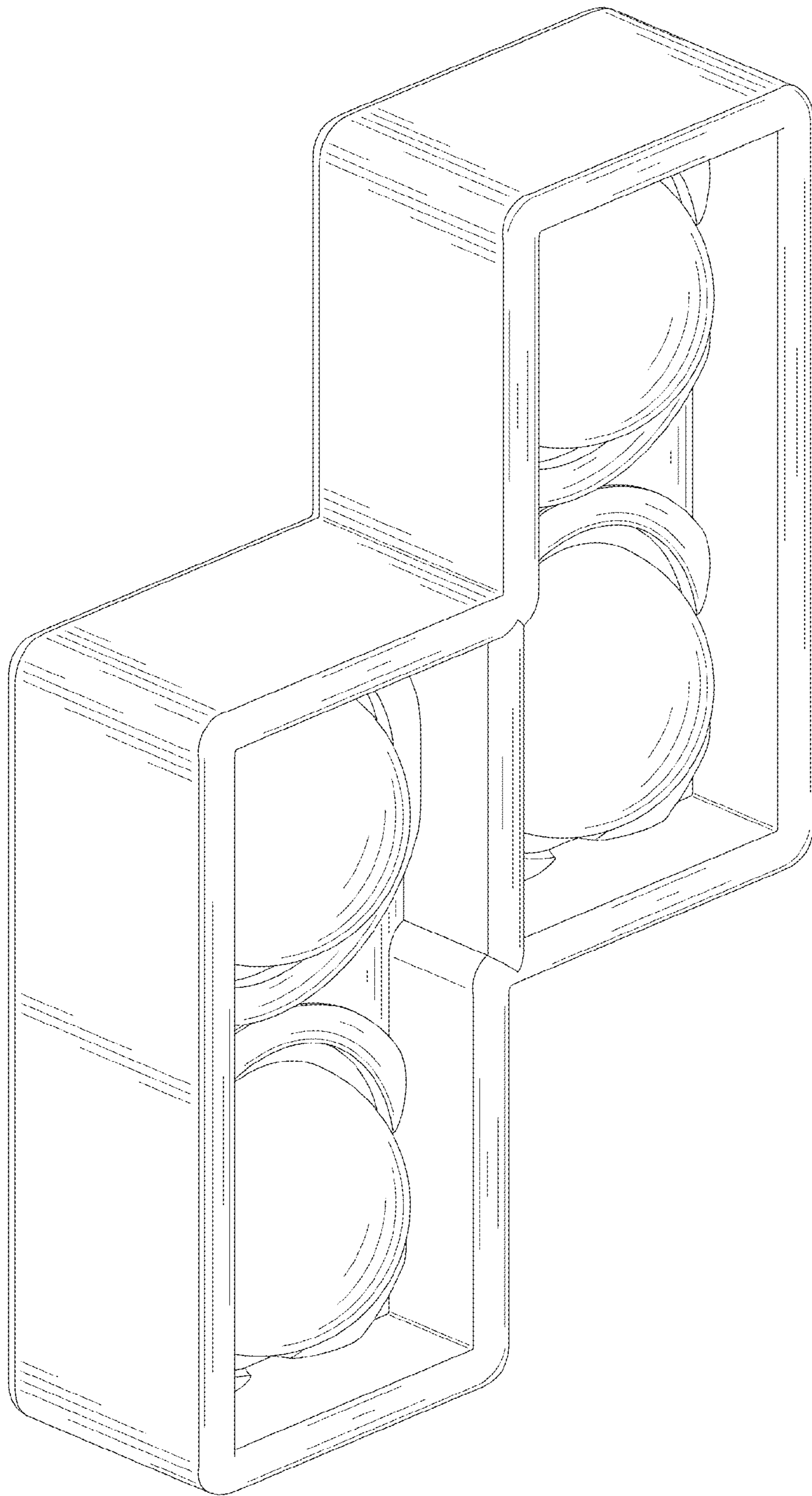


FIG. 51

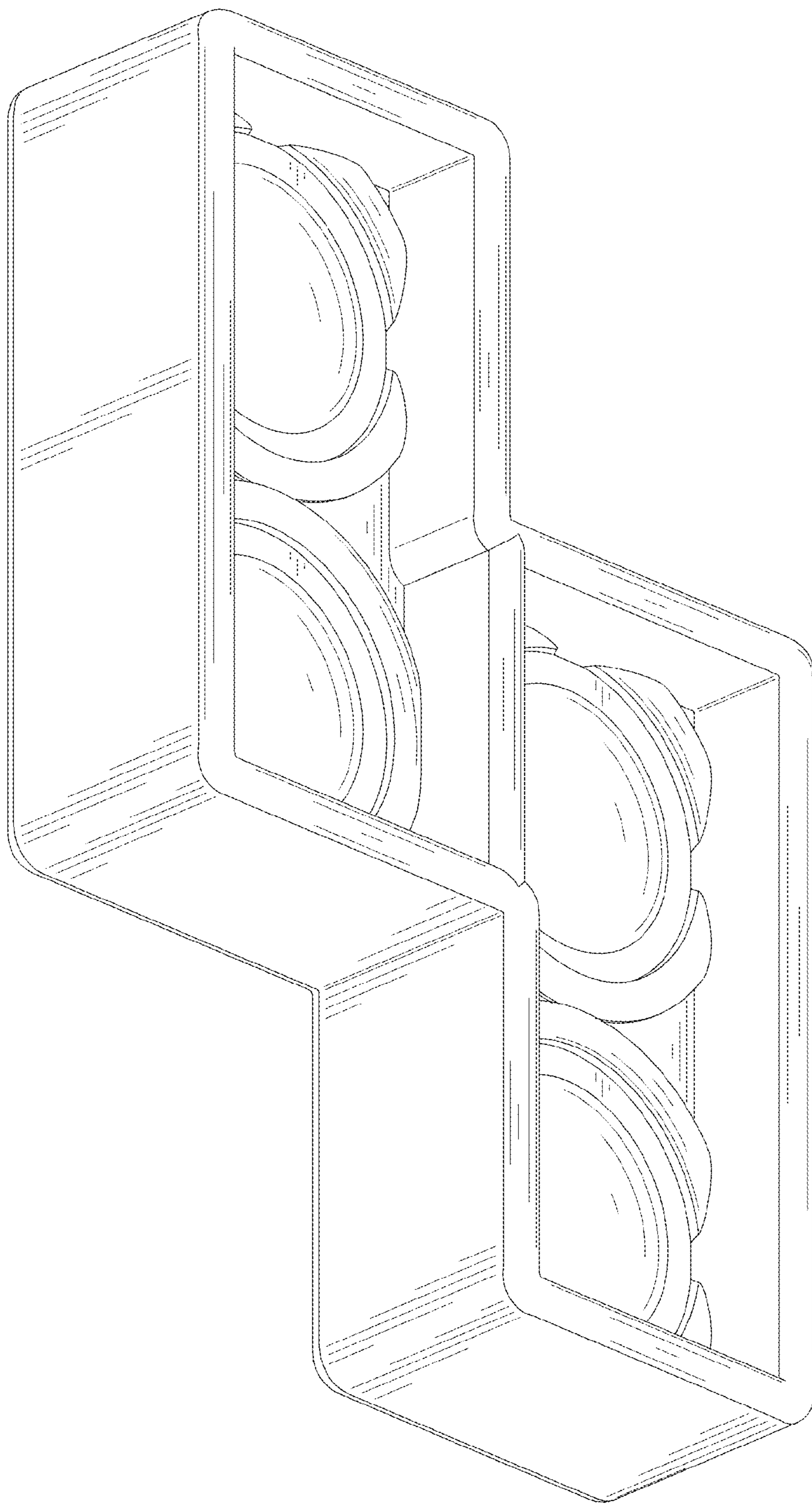


FIG. 52

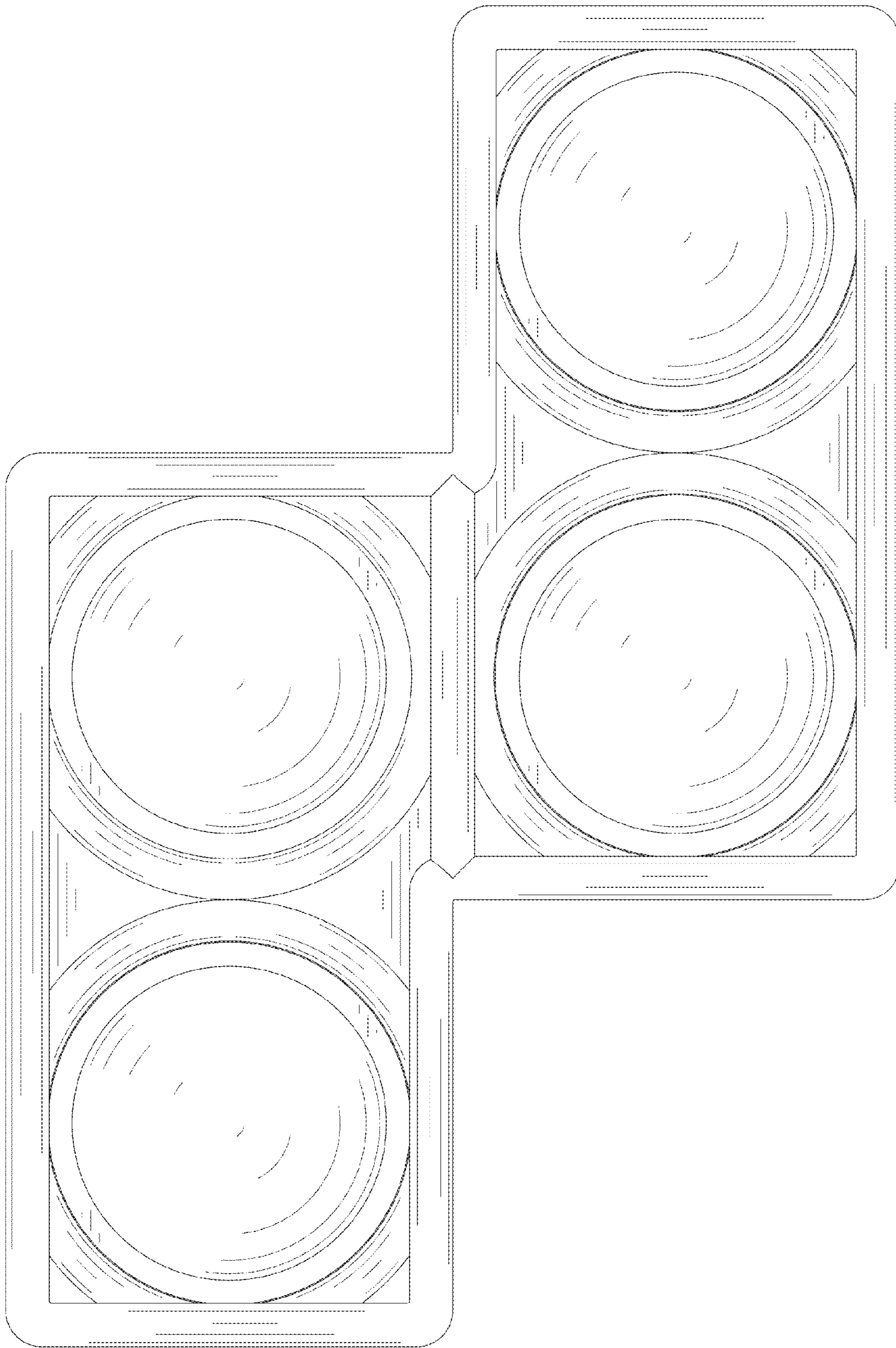


FIG. 53

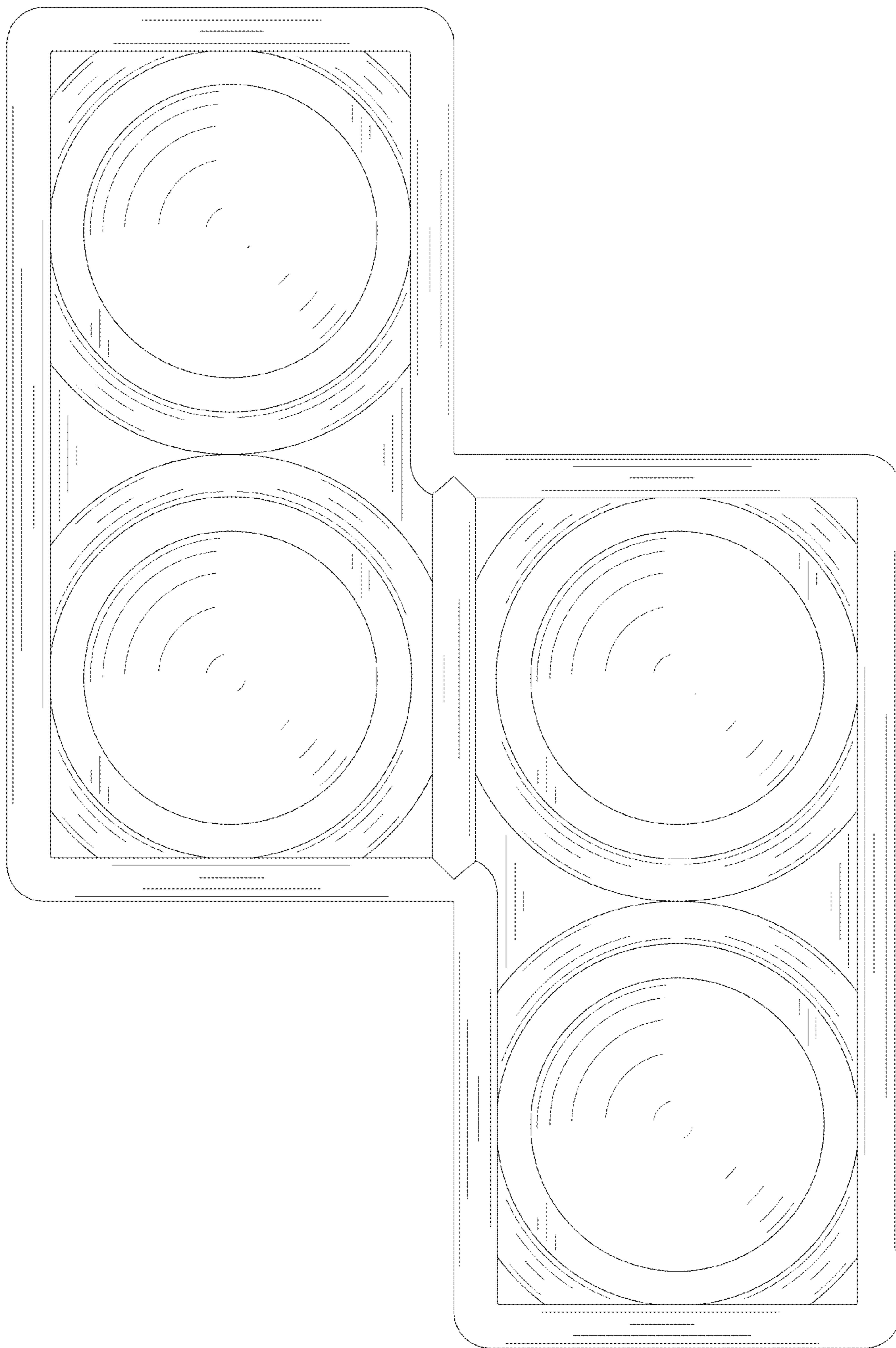


FIG. 54

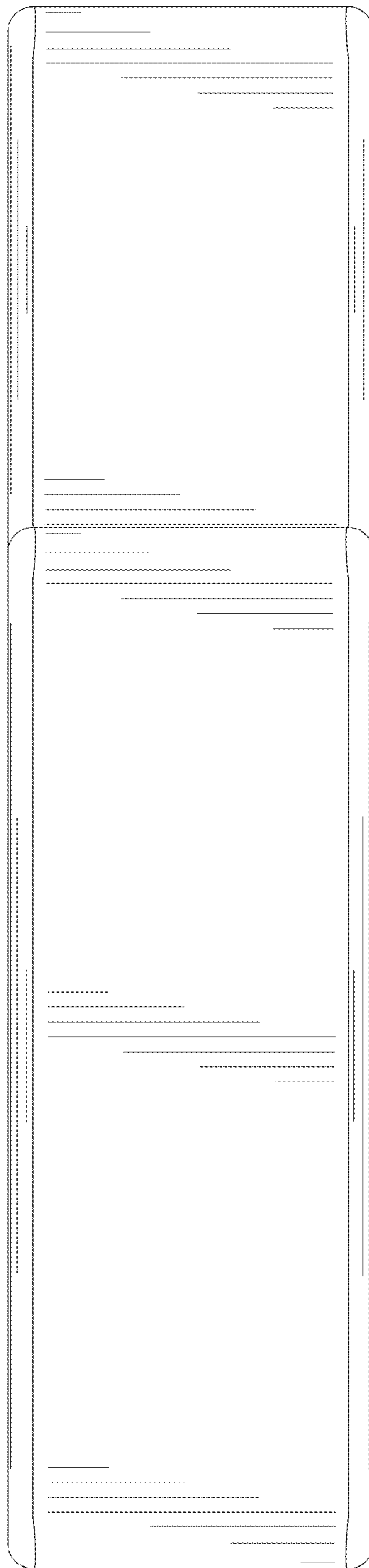


FIG.55

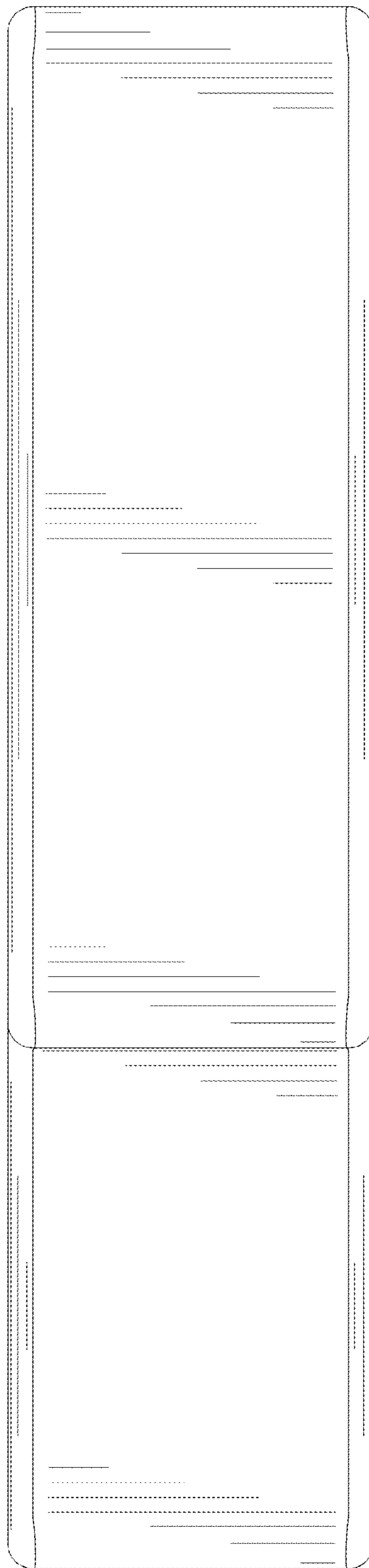


FIG. 56

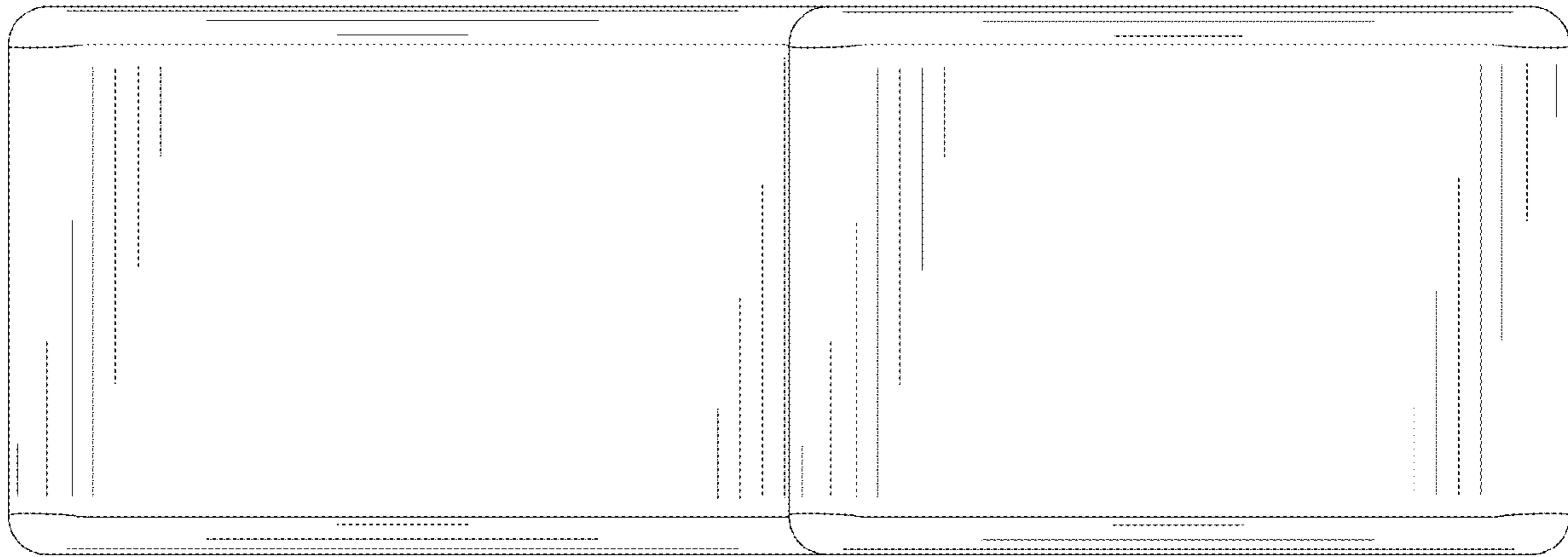


FIG. 57

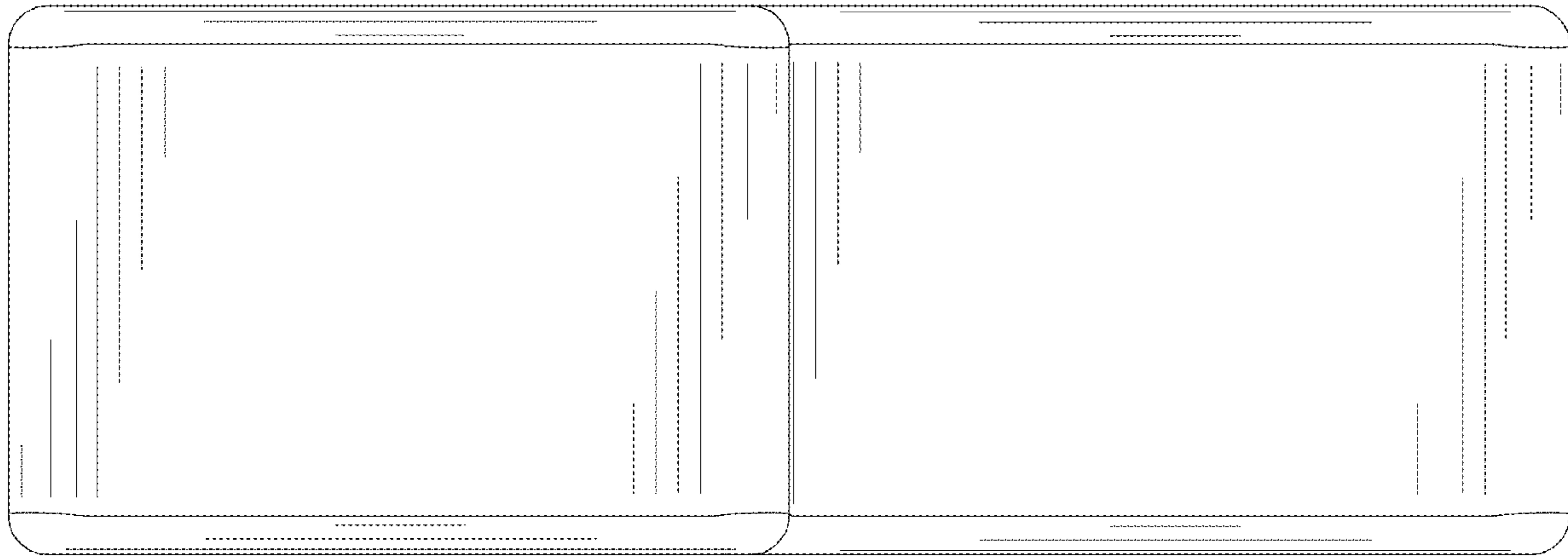


FIG. 58

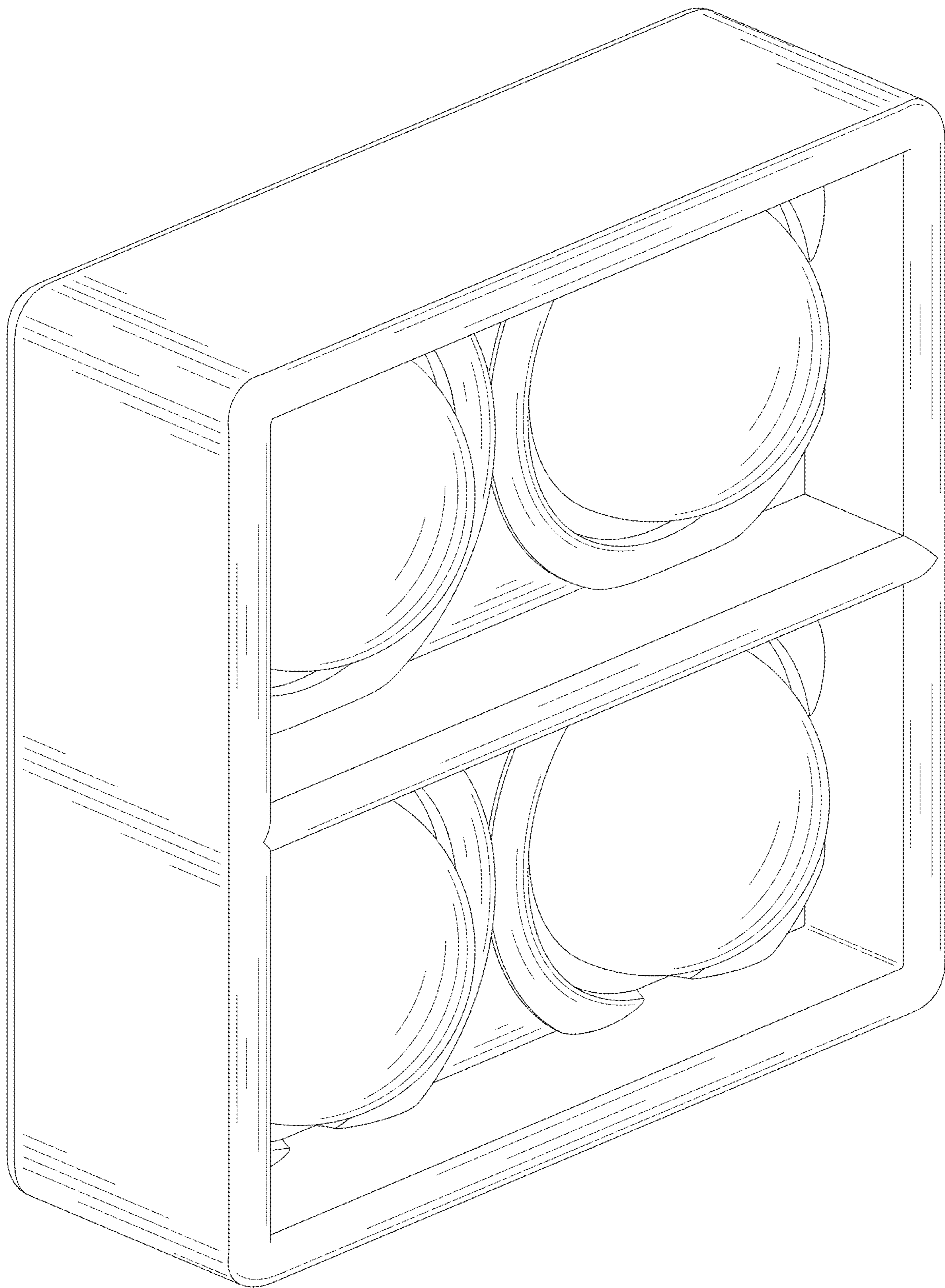


FIG. 59

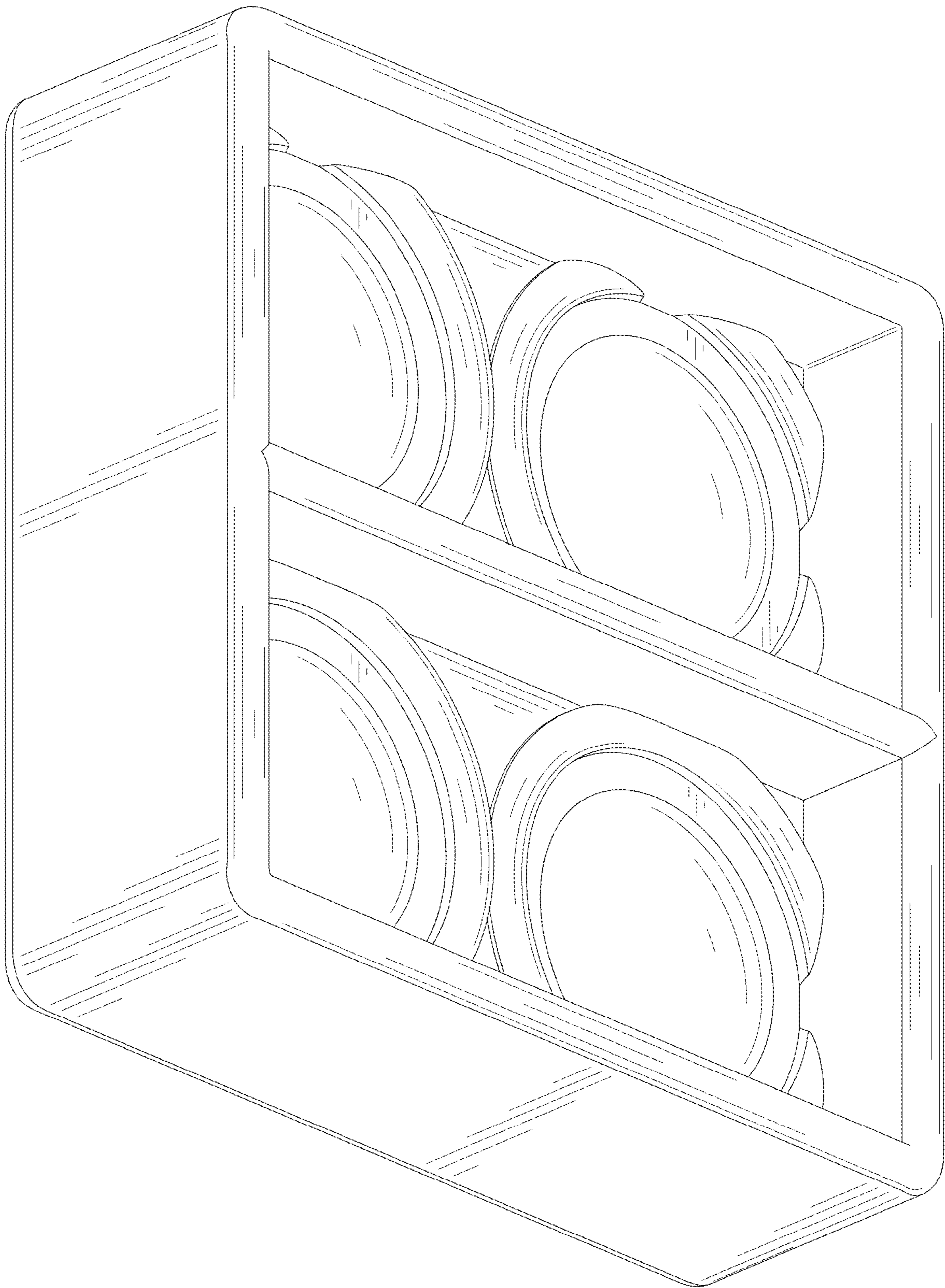


FIG.60

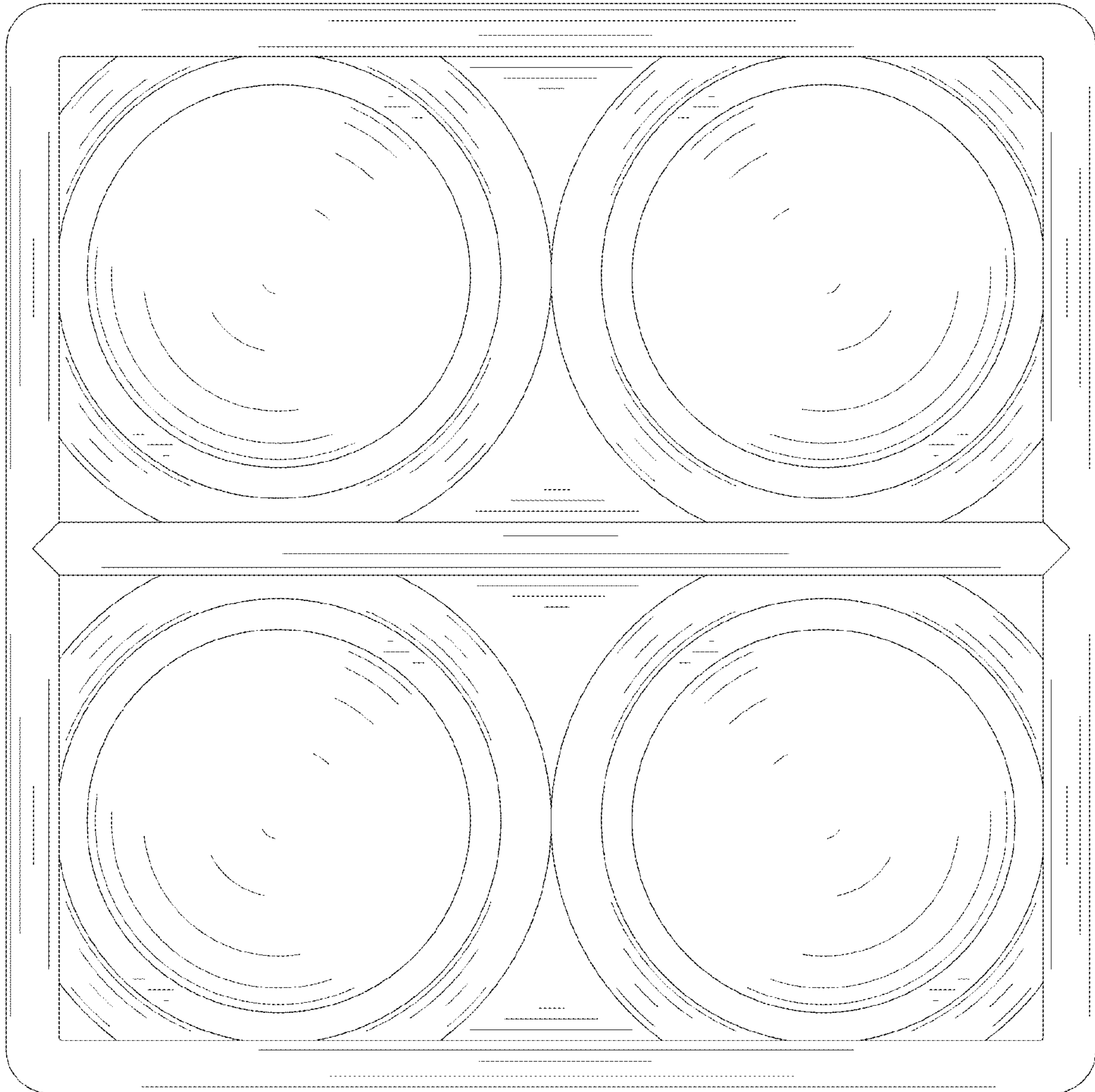


FIG. 61

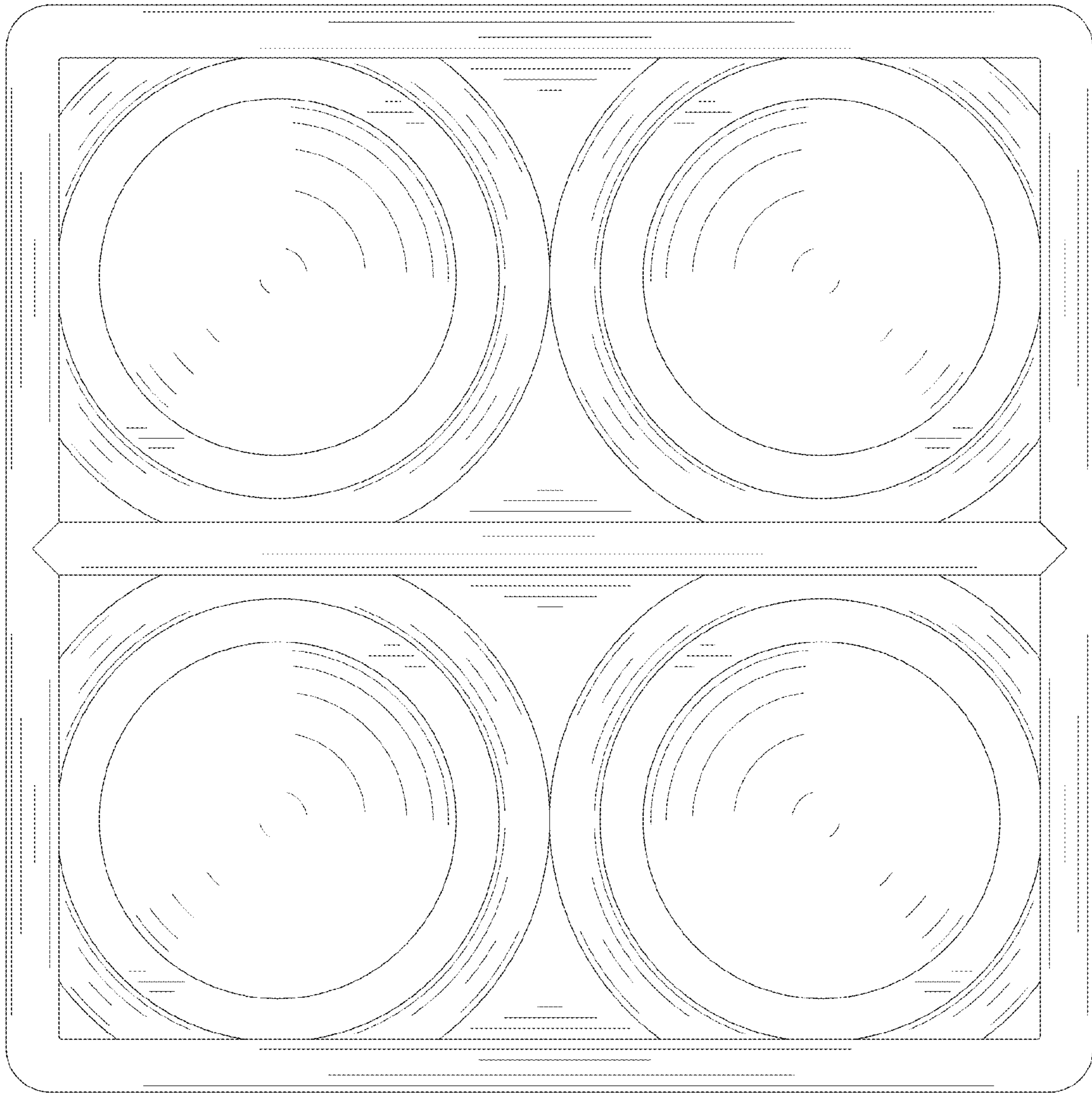


FIG. 62

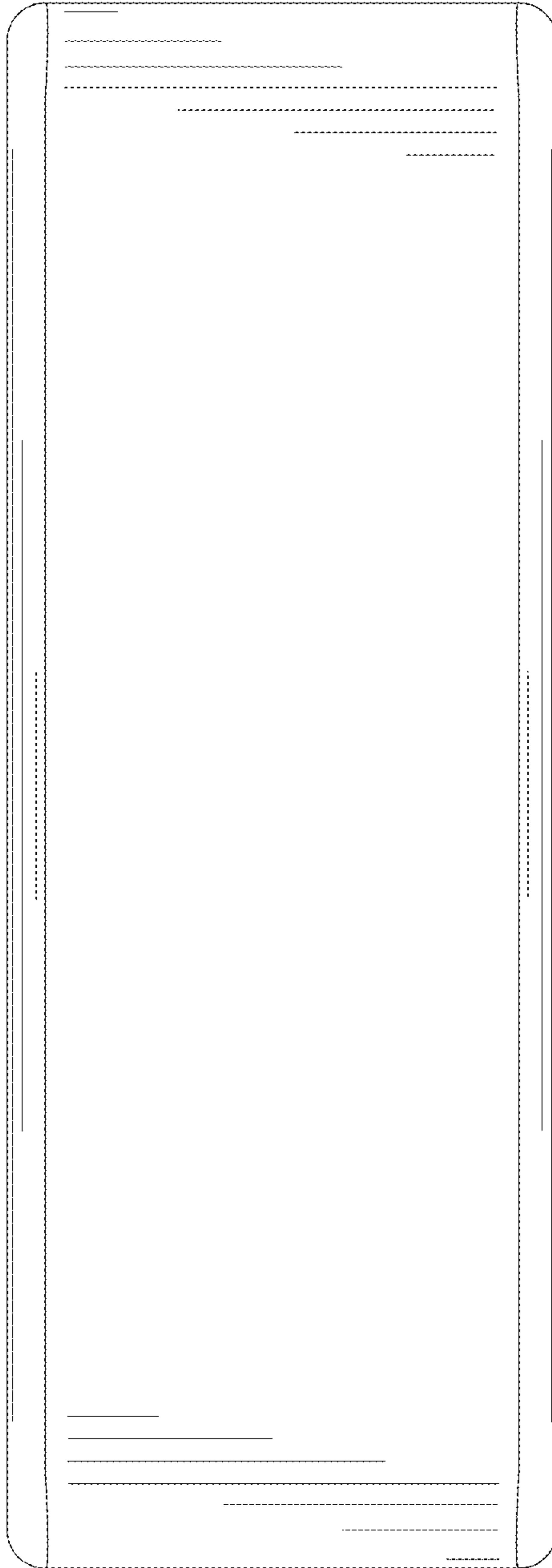


FIG. 63

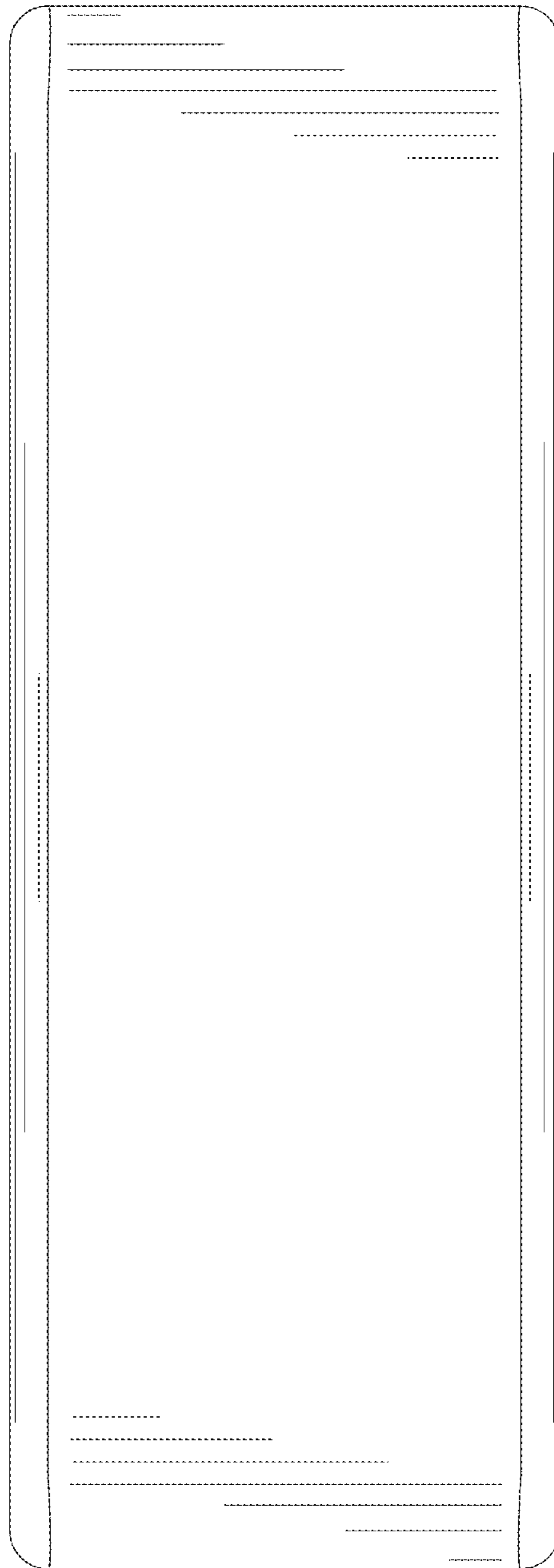


FIG. 64

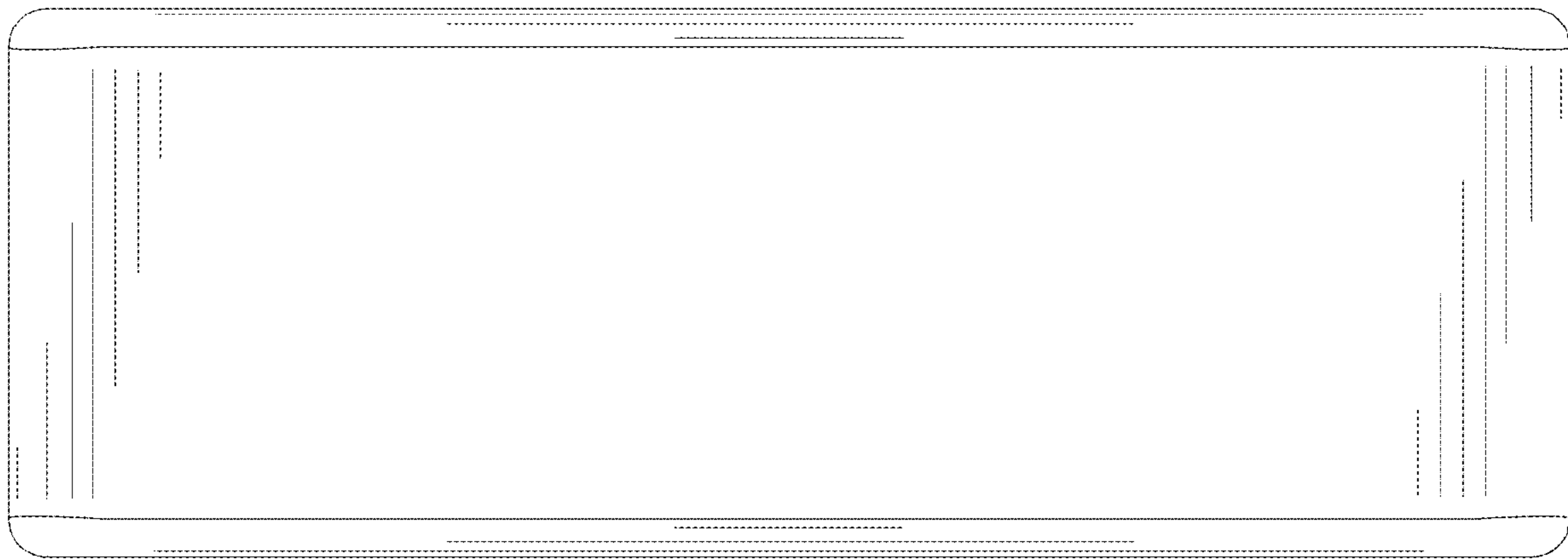


FIG. 65

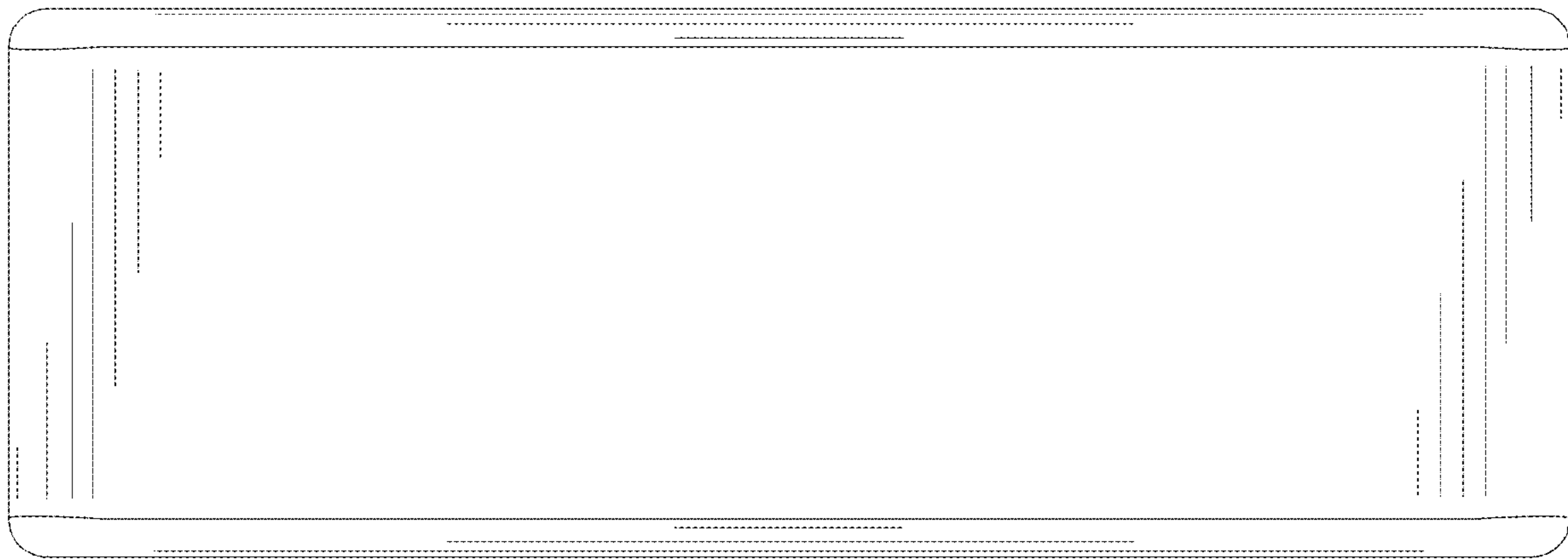


FIG. 66

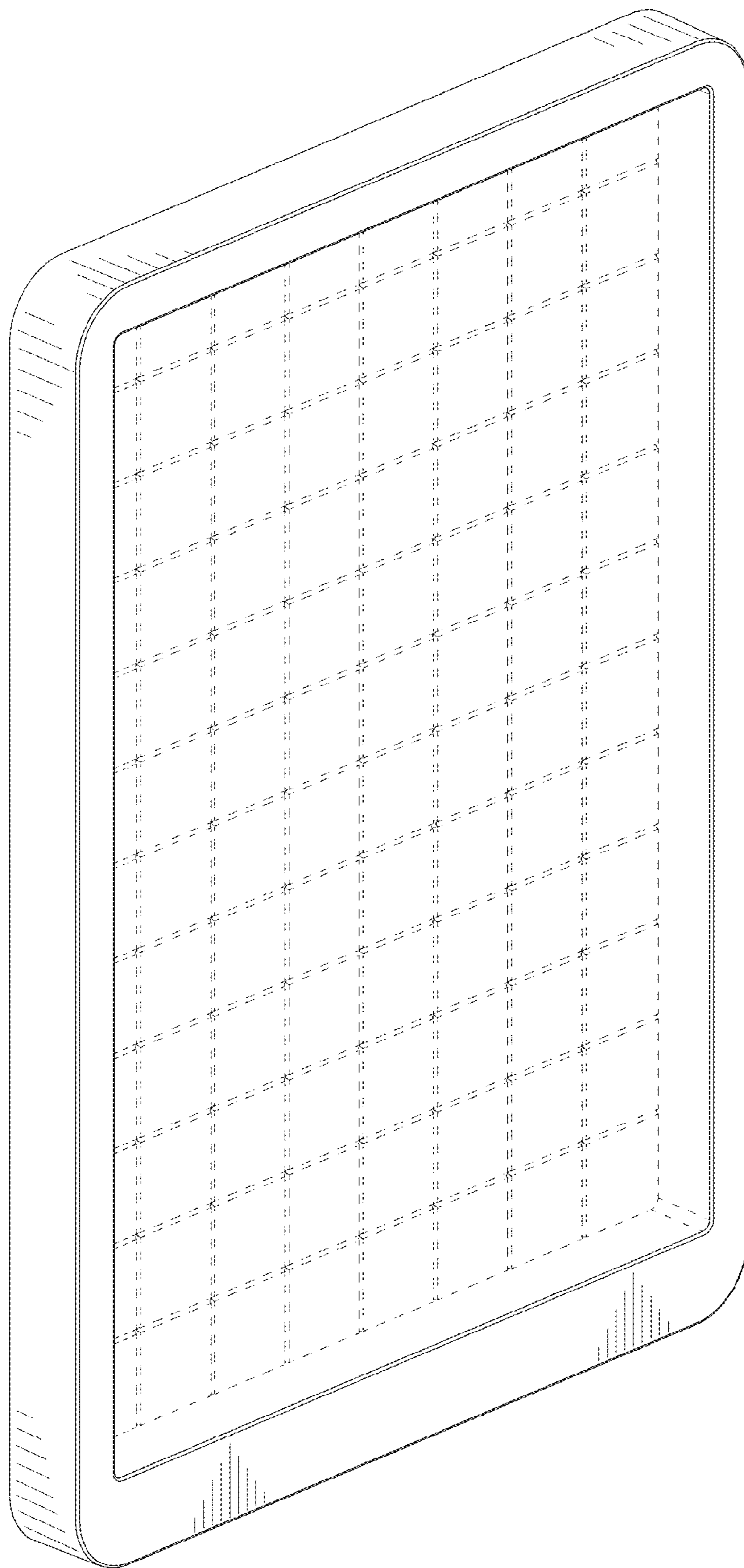


FIG. 67

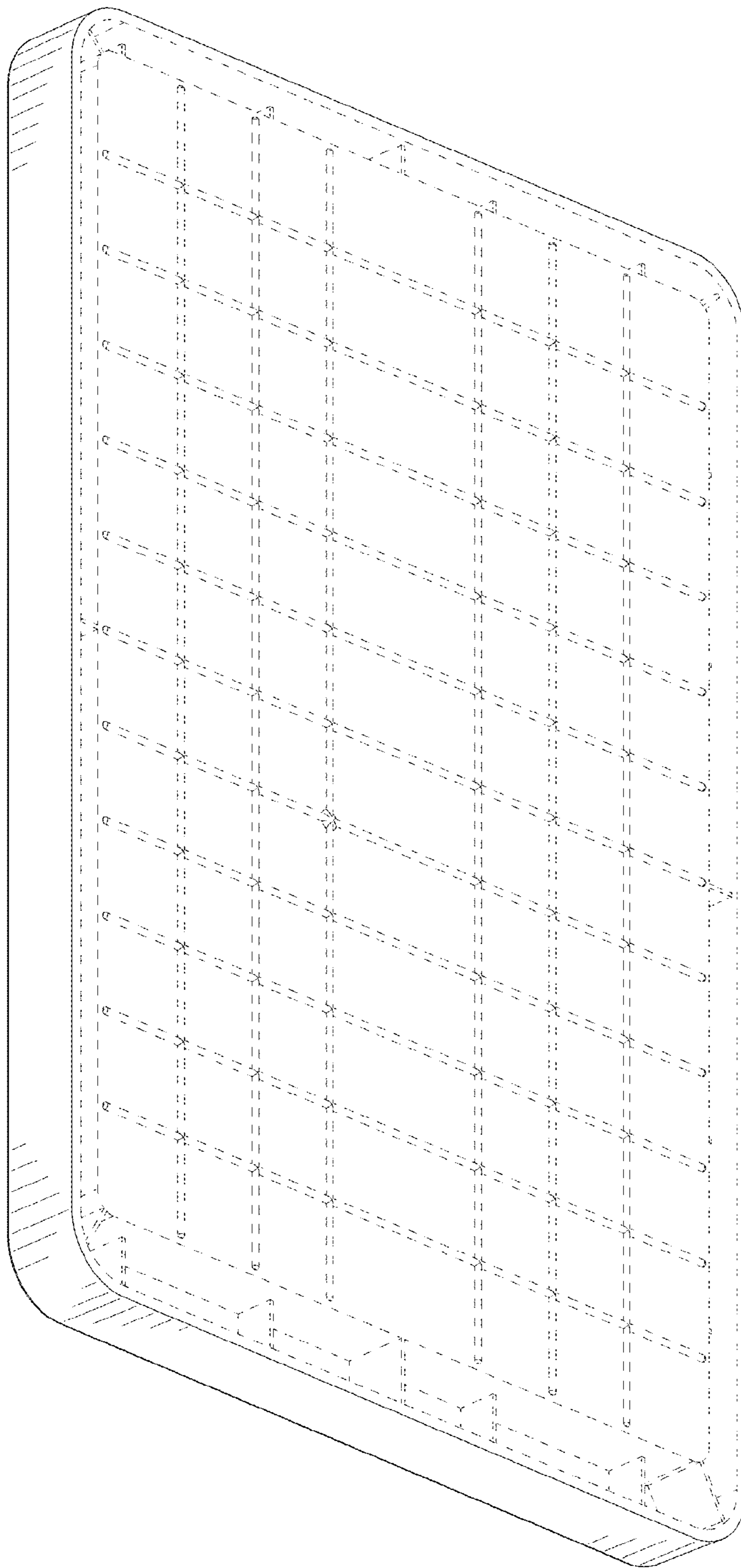


FIG.68

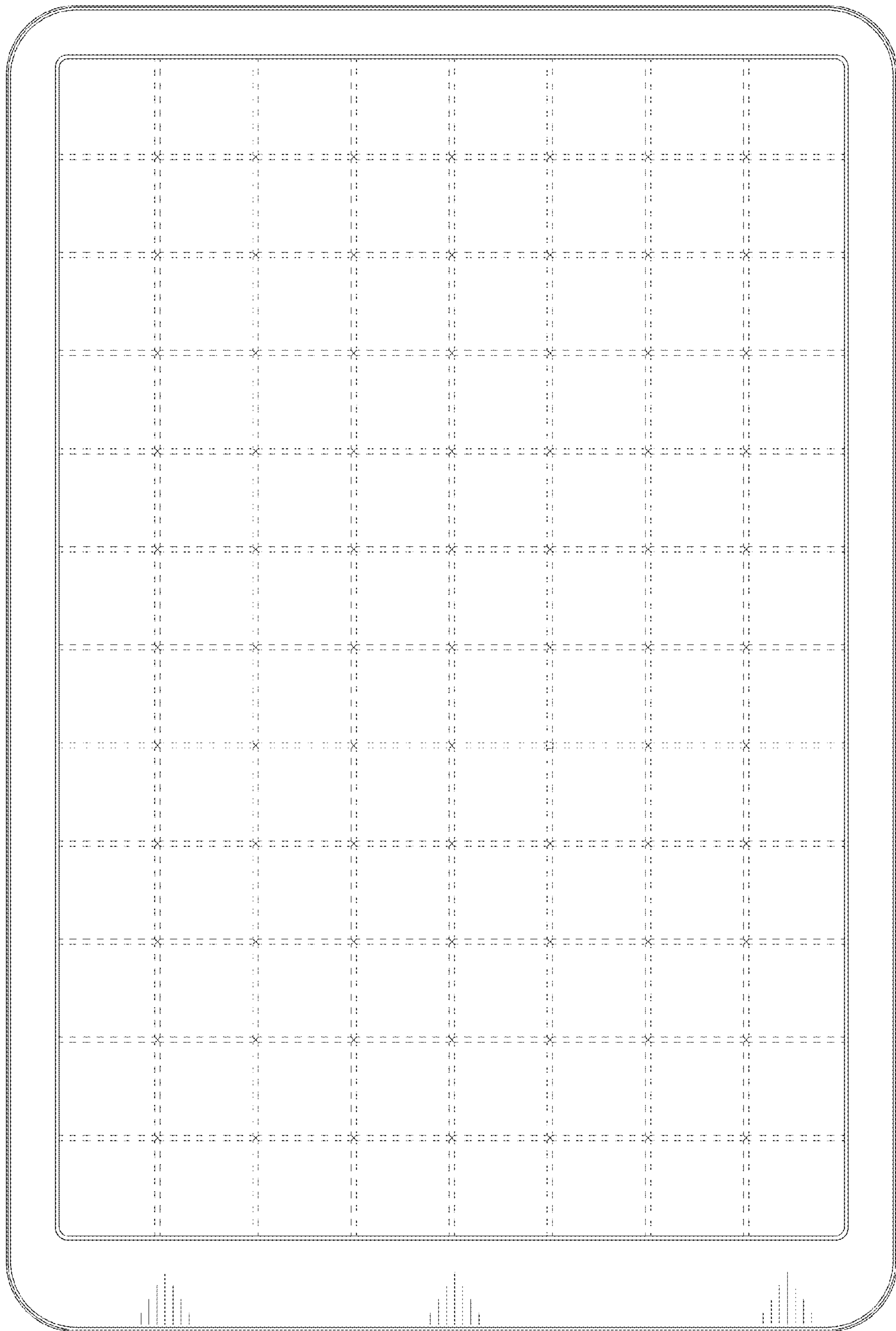


FIG. 69

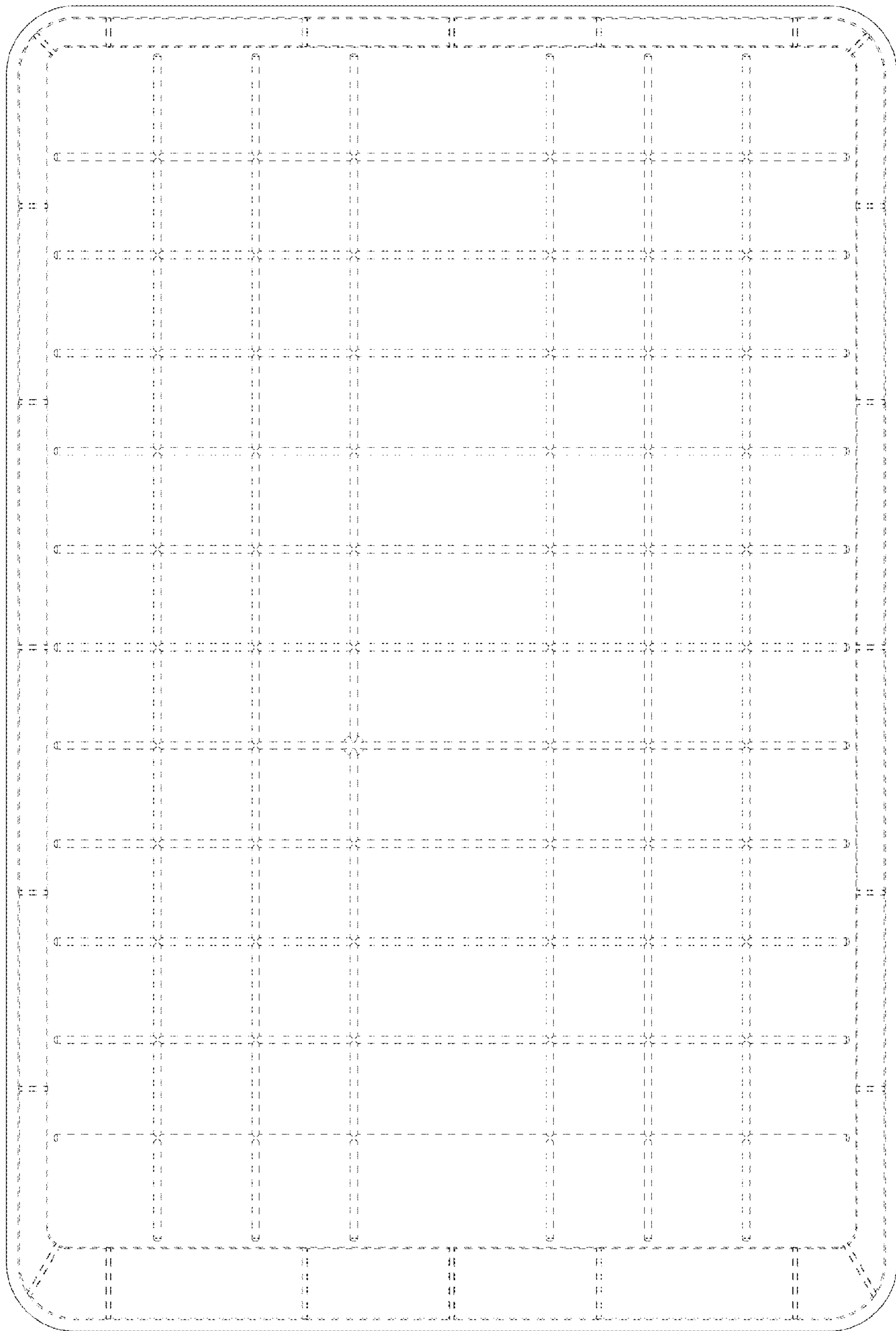


FIG. 70

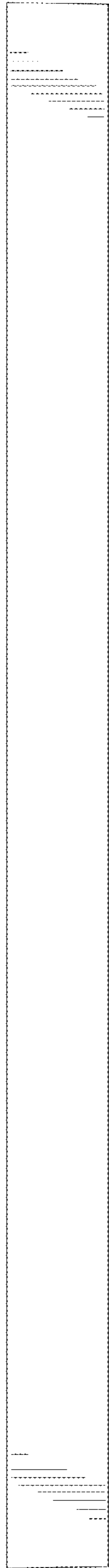


FIG. 71

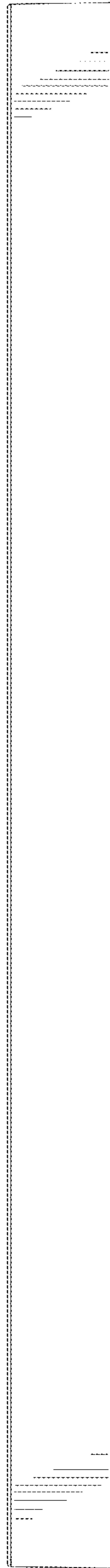


FIG. 72



FIG. 73

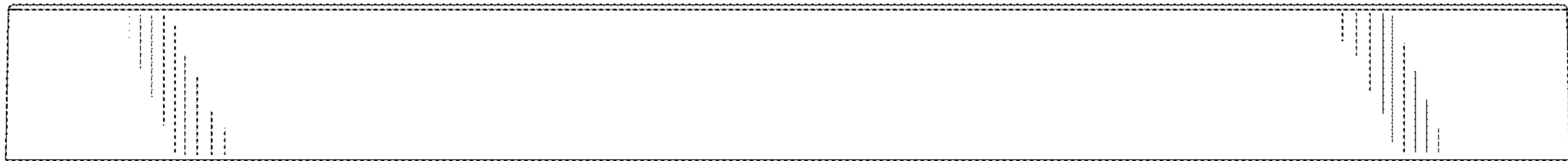


FIG. 74

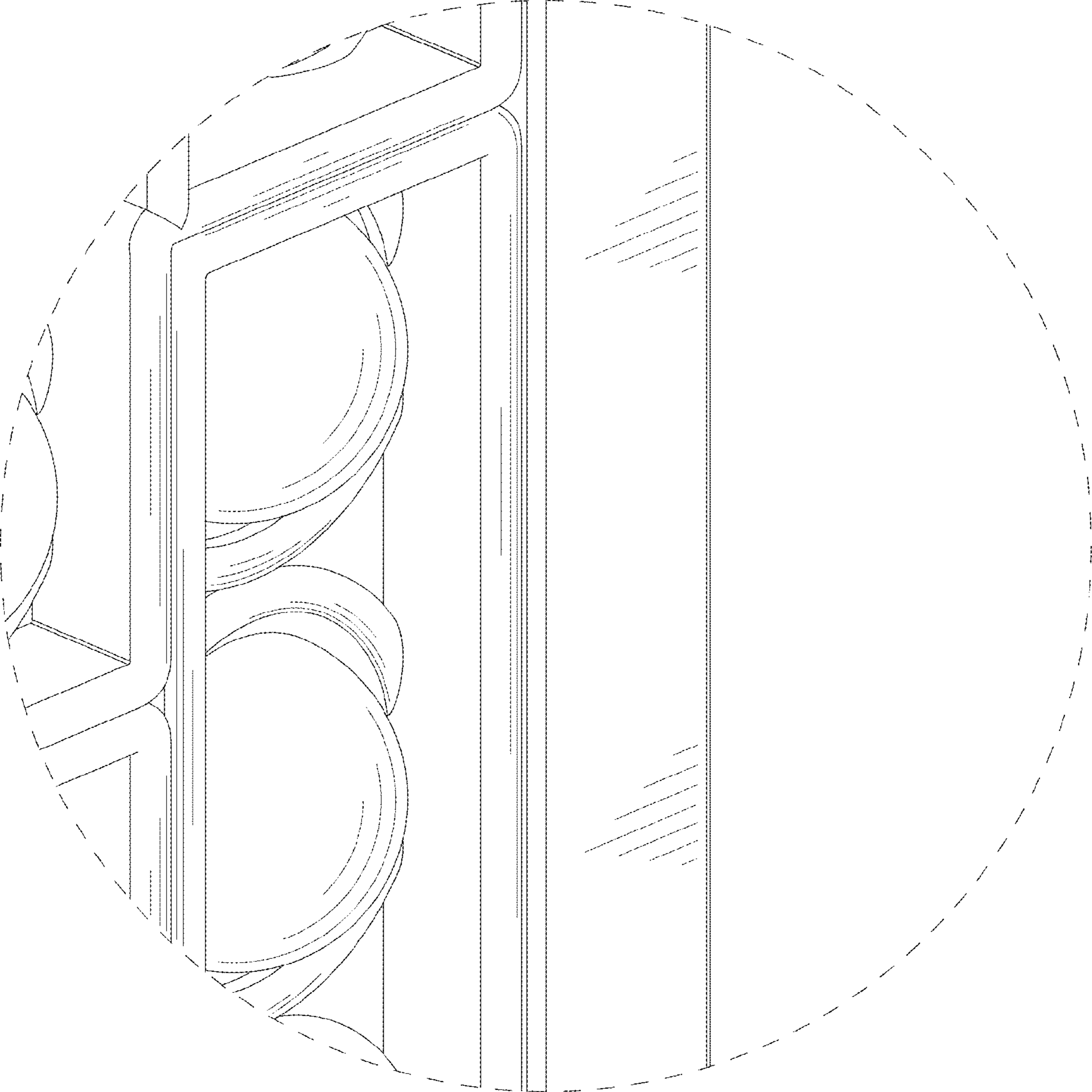


FIG.75