



US00D987727S

(12) **United States Design Patent** (10) **Patent No.:** **US D987,727 S**
Liao (45) **Date of Patent:** **** May 30, 2023**

(54) **PEDAL SCOOTER**
(71) Applicant: **HSIN LUNG ACCESSORIES CO., LTD.**, Hsin-Chu Hsien (TW)
(72) Inventor: **Hsueh-Sen Liao**, Hsin-Chu Hsien (TW)
(73) Assignee: **HSIN LUNG ACCESSORIES CO., LTD.**, Hsin-Chu Hsien (TW)
(**) Term: **15 Years**
(21) Appl. No.: **29/782,201**
(22) Filed: **May 5, 2021**
(51) **LOC (14) Cl.** **12-11**
(52) **U.S. Cl.**
USPC **D21/423**
(58) **Field of Classification Search**
USPC D12/107, 110-112; D21/423, 424, 426,
D21/435, 533, 760, 765, 771
CPC B62K 3/002; B62K 9/00; B62K 15/00;
B62K 2015/001; B62K 2015/003
See application file for complete search history.

(56) **References Cited**
U.S. PATENT DOCUMENTS
4,050,711 A * 9/1977 Denzer B62K 15/006
280/278
4,076,270 A * 2/1978 Winchell B62M 1/24
280/220
D638,498 S * 5/2011 Scolari D21/423
D727,434 S * 4/2015 O'Connell B62K 3/002
D21/423
D831,751 S * 10/2018 Xu B62M 1/24
D21/423
2002/0063406 A1* 5/2002 Feng B62K 3/002
280/87.041
2002/0063411 A1* 5/2002 Feng B62K 3/002
280/278
2004/0094925 A1* 5/2004 Chuang B62K 3/002
280/87.041

2008/0179849 A1* 7/2008 Fan B62K 5/02
280/87.041
2011/0031709 A1* 2/2011 Kim B62K 3/002
280/62
2011/0298193 A1* 12/2011 Fan B62K 3/002
280/221
2012/0223502 A1* 9/2012 Chen B62K 3/002
280/221
2013/0257013 A1* 10/2013 Liao B62K 3/002
280/279
2014/0117641 A1* 5/2014 Fan B62M 1/24
280/228

(Continued)

OTHER PUBLICATIONS

Amazon, Wookrays swing Wiggle Scooter for Kids, published Jul. 16, 2020 [retrieved Oct. 29, 2022]. Retrieved from the internet<<https://www.amazon.com/wookrays-scooter-wiggle-foldable-drifting/dp/B08D3K9M5H?th=1>> (Year: 2020).*

(Continued)

Primary Examiner — Joseph Kukella
Assistant Examiner — Lavon M. Amerson
(74) *Attorney, Agent, or Firm* — Demian K. Jackson;
Jackson IPG PLLC

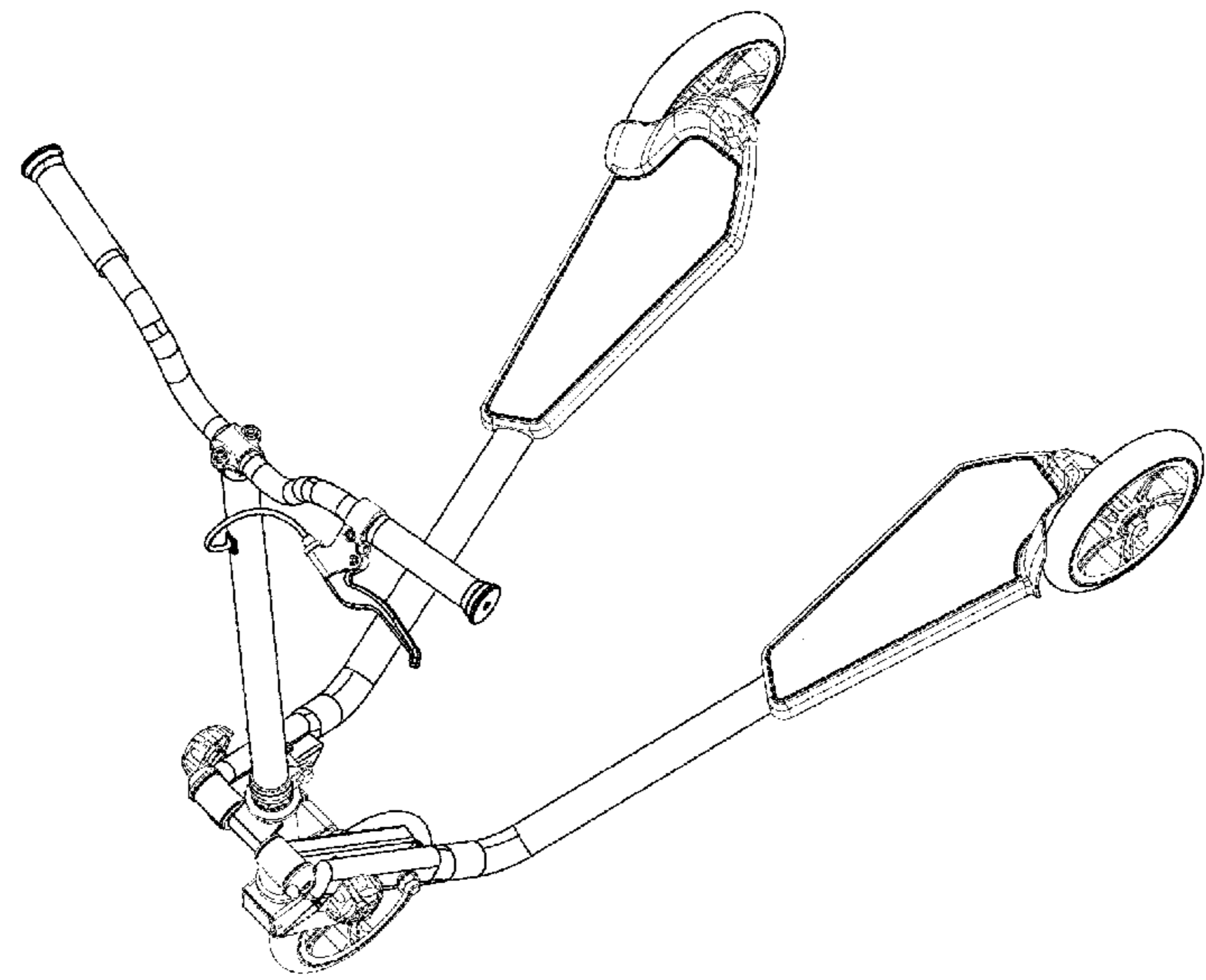
(57) **CLAIM**

The ornamental design for a pedal scooter, as shown and described.

DESCRIPTION

FIG. 1 is a perspective view of a pedal scooter showing my new design;
FIG. 2 is a left-side view thereof;
FIG. 3 is a front view thereof;
FIG. 4 is a rear view thereof;
FIG. 5 is a top view thereof; and,
FIG. 6 is another perspective view thereof.

1 Claim, 6 Drawing Sheets



(56)

References Cited

U.S. PATENT DOCUMENTS

2015/0266530 A1* 9/2015 O'Connell B62H 1/12
280/224
2017/0088224 A1* 3/2017 Baron B62K 21/12
2017/0190374 A1* 7/2017 Quaglia B62L 3/02
2017/0361892 A1* 12/2017 O'Rourke B62K 3/002
2018/0057095 A1* 3/2018 Fan B62K 5/02
2018/0194423 A1* 7/2018 Fan B62K 3/002

OTHER PUBLICATIONS

Alibaba.com. 3 Wheel kids pro swing kick foot sliding frog scooter with two pedal, published Jan. 14, 2022 [retrieved Oct. 29, 2022]. Retrieved from the internet<https://www.alibaba.com/product-detail/3-wheel-kids-pro-swing-kick_60226401491.html> (Year: 2022).*

* cited by examiner

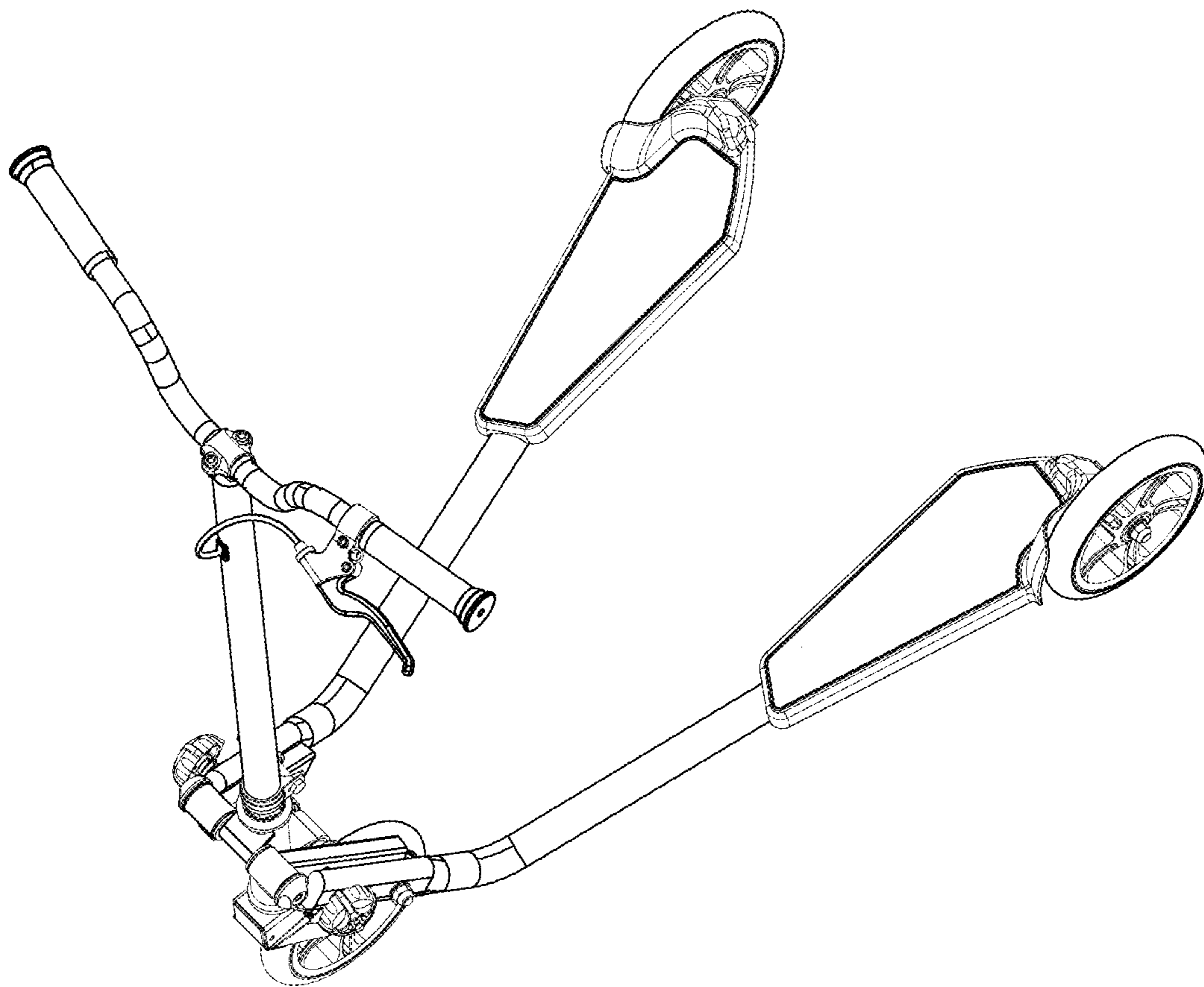


FIG.1

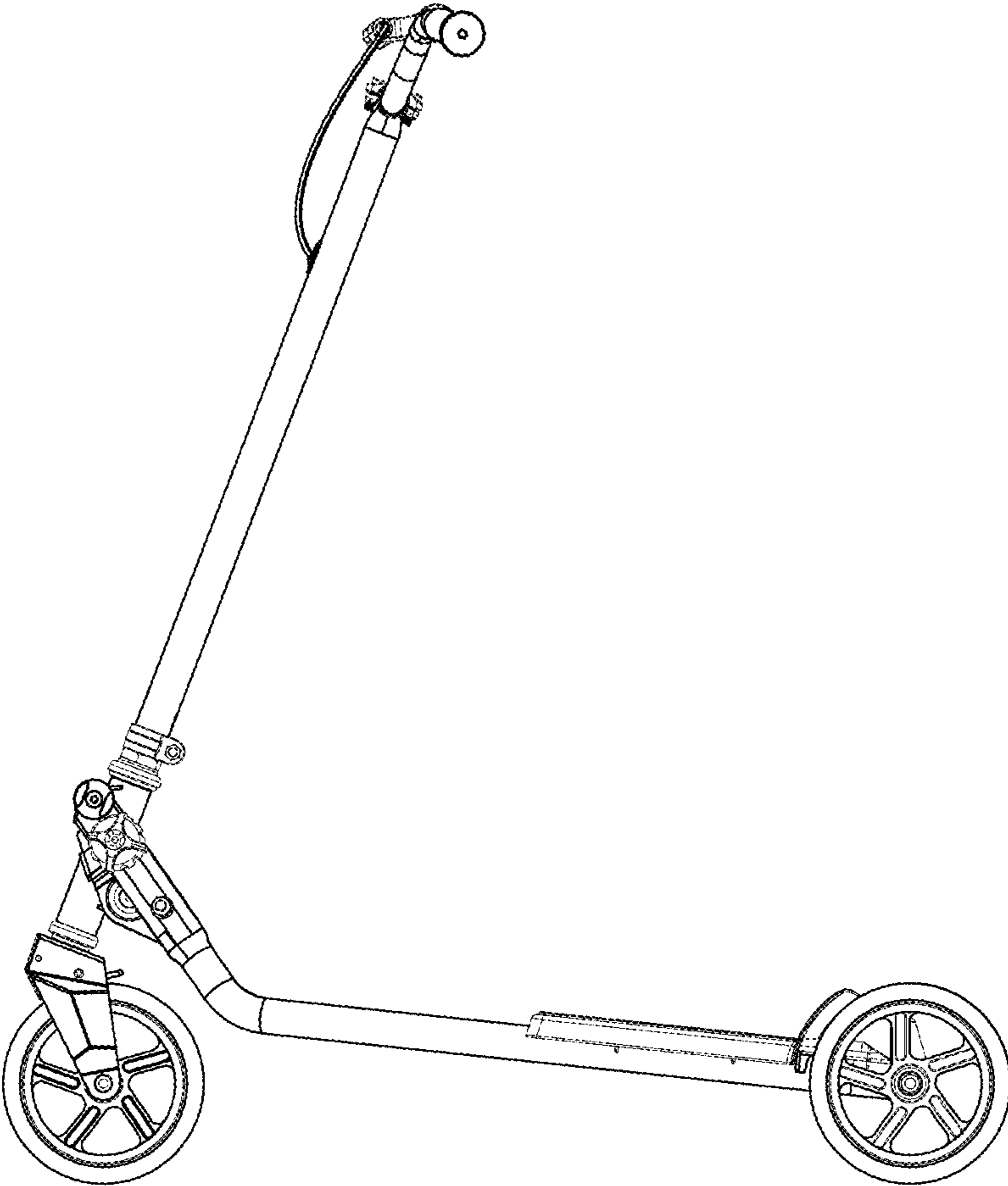


FIG.2

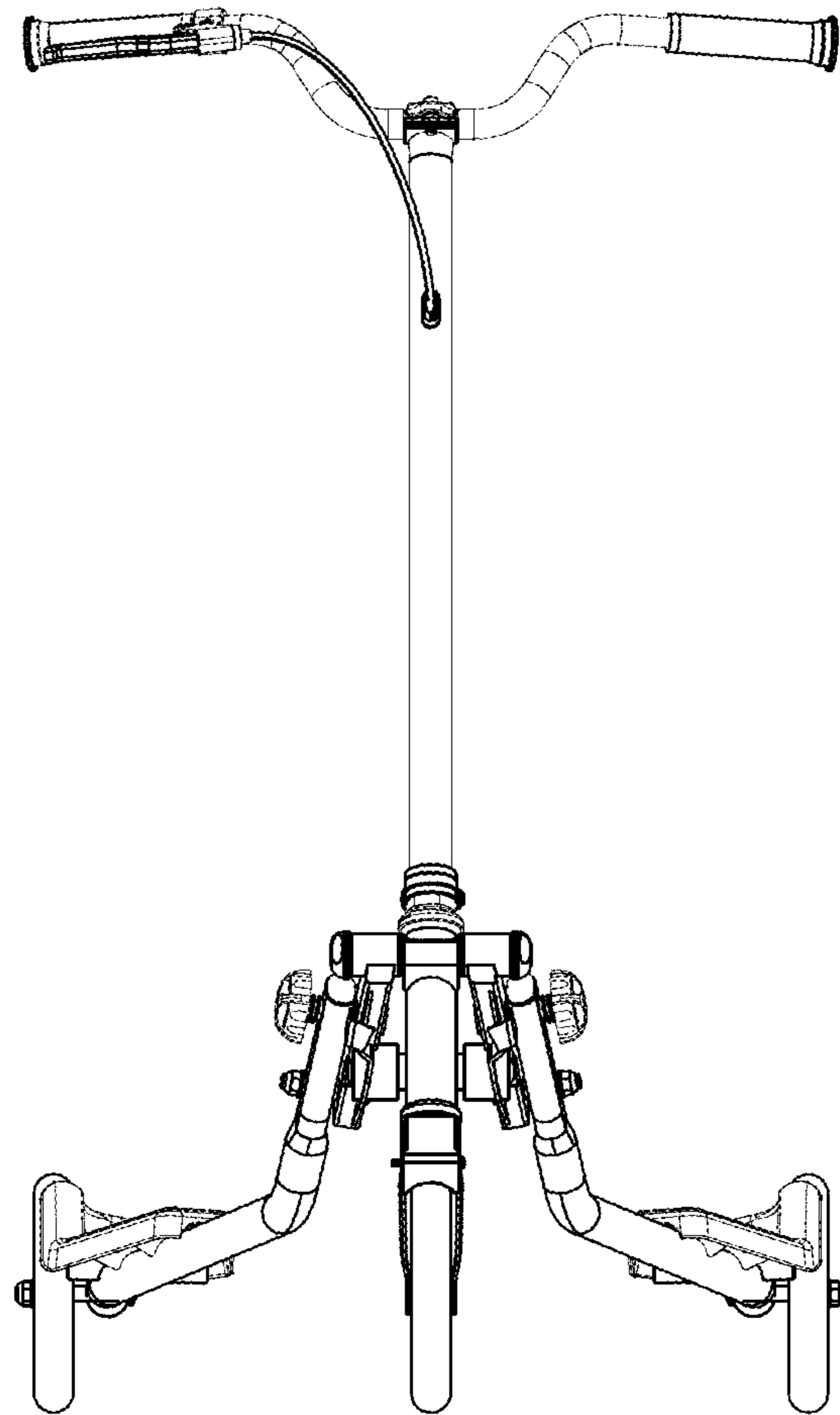


FIG.3

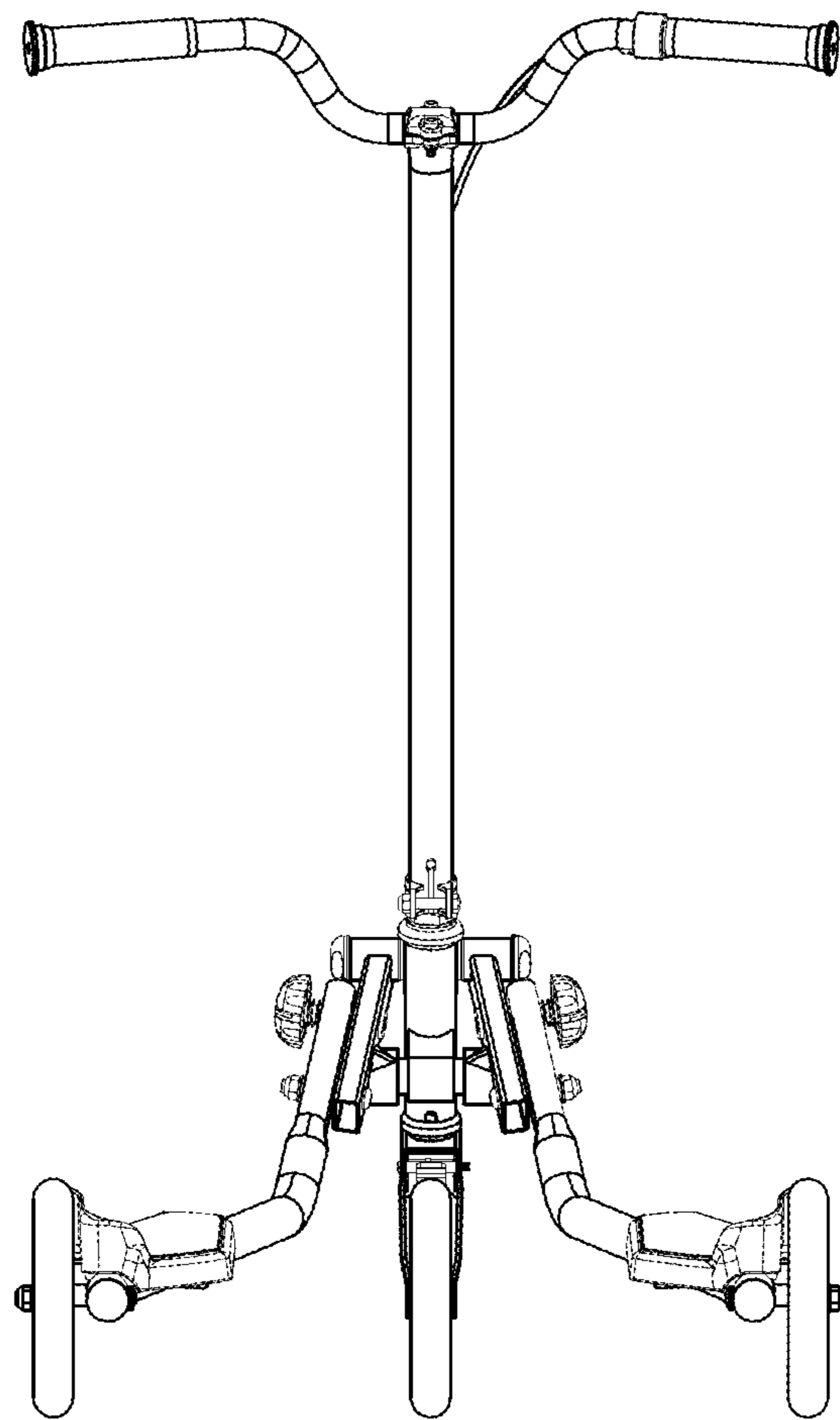


FIG.4

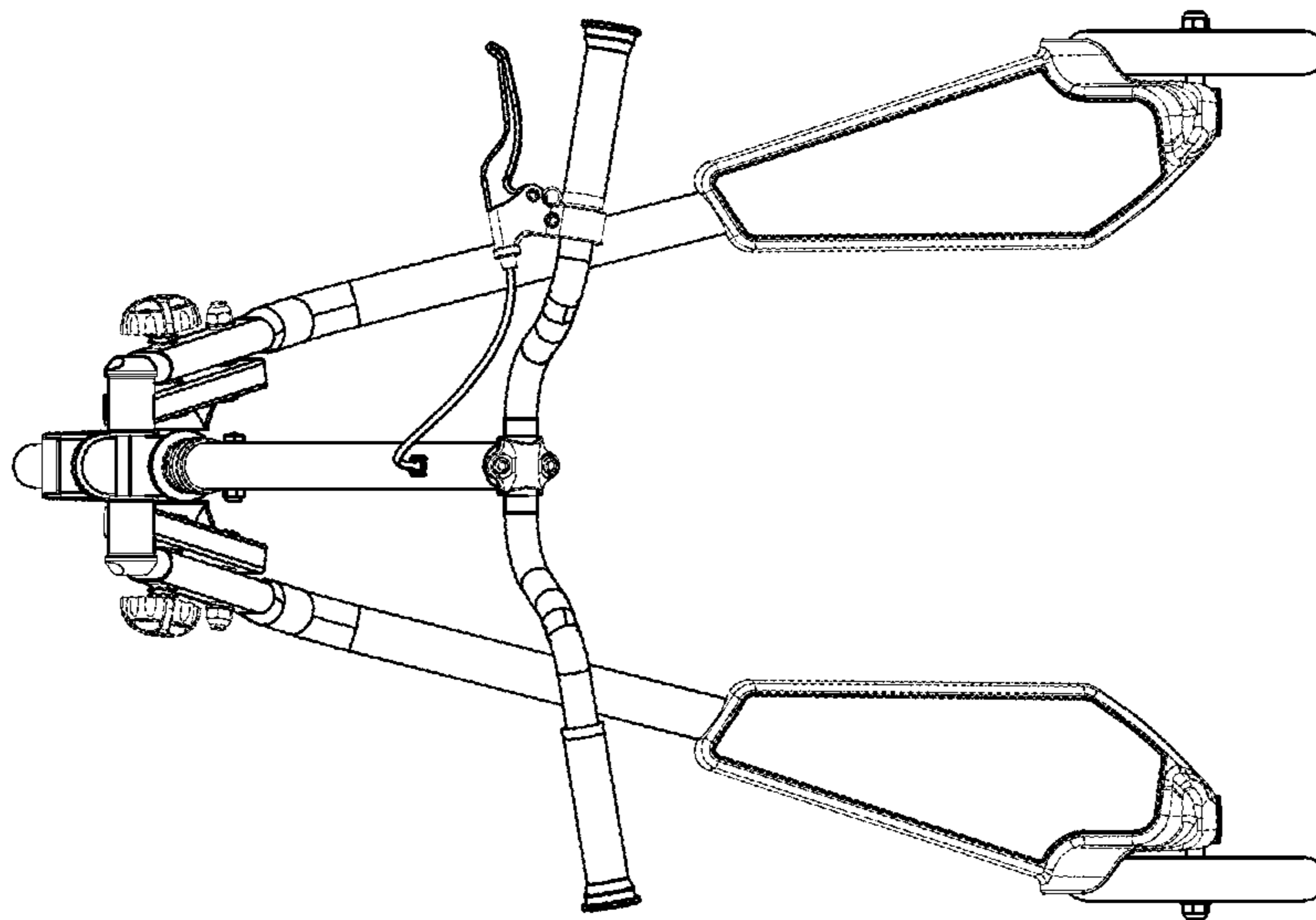


FIG.5

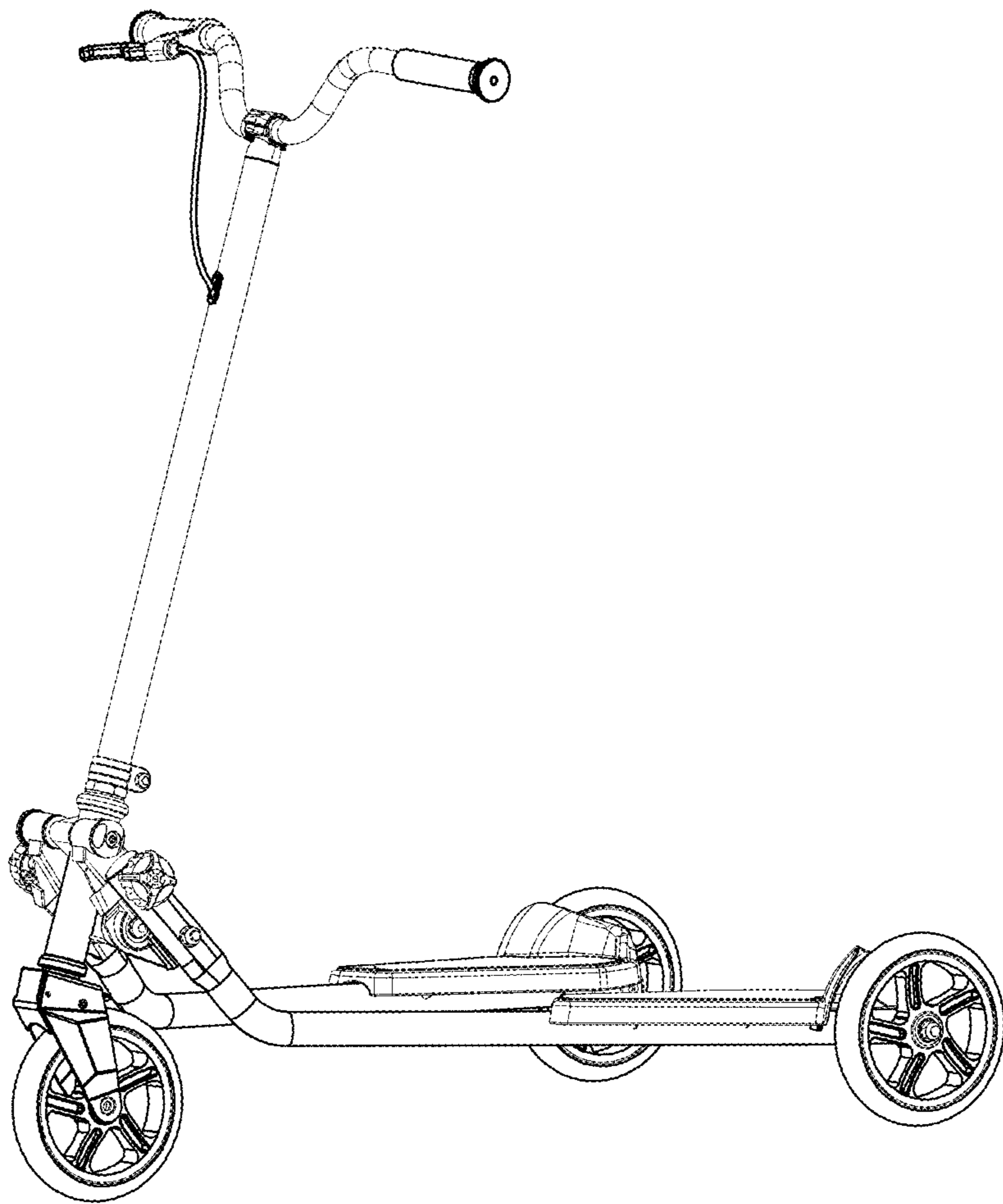


FIG.6