



US00D987725S

(12) **United States Design Patent** (10) **Patent No.:** **US D987,725 S**  
**Ortiz De Viveiros et al.** (45) **Date of Patent:** **\*\* May 30, 2023**

- (54) **AMUSEMENT APPARATUS**
- (71) Applicant: **ZITRO INTERNATIONAL S.ÀR.L.**,  
Luxembourg (LU)
- (72) Inventors: **Johnny Ortiz De Viveiros**, London  
(GB); **Fidel Raúl García Álvarez**,  
Madrid (ES)
- (73) Assignee: **ZITRO INTERNATIONAL S.ÀR.L.**,  
Luxembourg (LU)
- (\*\*) Term: **15 Years**
- (21) Appl. No.: **29/786,978**
- (22) Filed: **Jun. 3, 2021**
- (51) **LOC (14) Cl.** ..... **21-03**
- (52) **U.S. Cl.**  
USPC ..... **D21/370; D21/369**
- (58) **Field of Classification Search**  
USPC ..... D21/324, 325, 329, 332, 333, 336, 347,  
D21/349, 365, 369, 370, 371; D14/302,  
D14/305, 307, 900, 901, 902  
CPC .... A63F 2003/00167; A63F 2003/0017; A63F  
2003/00646; A63F 2003/00649; A63F  
2003/00652; A63F 2003/00656; A63F  
2003/00659; A63F 3/0645; A63F 5/0005;  
A63F 5/0058; A63F 5/0064; G07F 5/02;  
G07F 5/04; G07F 5/06; G07F 5/08; G07F  
1/02; G07F 5/10; G07F 5/12; G07F 5/16;  
G07F 5/14; G07F 17/3211; G07F  
17/3209; G07F 17/3244; G07F 17/3202;  
G07F 17/3213; G07F 17/3265; G07F  
17/3262; G07F 17/3269; G07F 17/3288;  
G07F 17/34; G07F 19/20  
See application file for complete search history.

(56) **References Cited**  
U.S. PATENT DOCUMENTS

- D498,267 S \* 11/2004 Crouch ..... D21/370  
D599,859 S \* 9/2009 Lesley ..... D21/370

- D603,909 S \* 11/2009 De Viveiros Ortiz ..... D21/325  
D627,008 S \* 11/2010 Bruzzese ..... D21/385  
D684,637 S \* 6/2013 Shelley ..... D21/370  
D721,766 S \* 1/2015 Ferrazoli ..... D21/370  
D818,048 S \* 5/2018 Calhoun ..... D21/369  
D834,652 S \* 11/2018 Lee ..... D21/369  
D843,473 S \* 3/2019 Zedell, Jr. .... D21/369  
D849,150 S \* 5/2019 Gallagher ..... D21/369  
D868,165 S \* 11/2019 Ortiz De Viveiros ..... D21/369  
D872,190 S \* 1/2020 Zedell, Jr. .... D21/369  
2018/0078854 A1\* 3/2018 Achmueller ..... G07F 17/3209  
2019/0096170 A1\* 3/2019 Lewis ..... G07F 17/3211  
2019/0102983 A1\* 4/2019 Gallagher ..... G07F 17/3211  
2021/0082241 A1\* 3/2021 Marsh ..... G07F 17/3213

FOREIGN PATENT DOCUMENTS

EM 006133088-0009 \* 2/2019

\* cited by examiner

*Primary Examiner* — Katherine A Holbrow

*Assistant Examiner* — Riya Salil Kamat

(74) *Attorney, Agent, or Firm* — Finch & Maloney PLLC

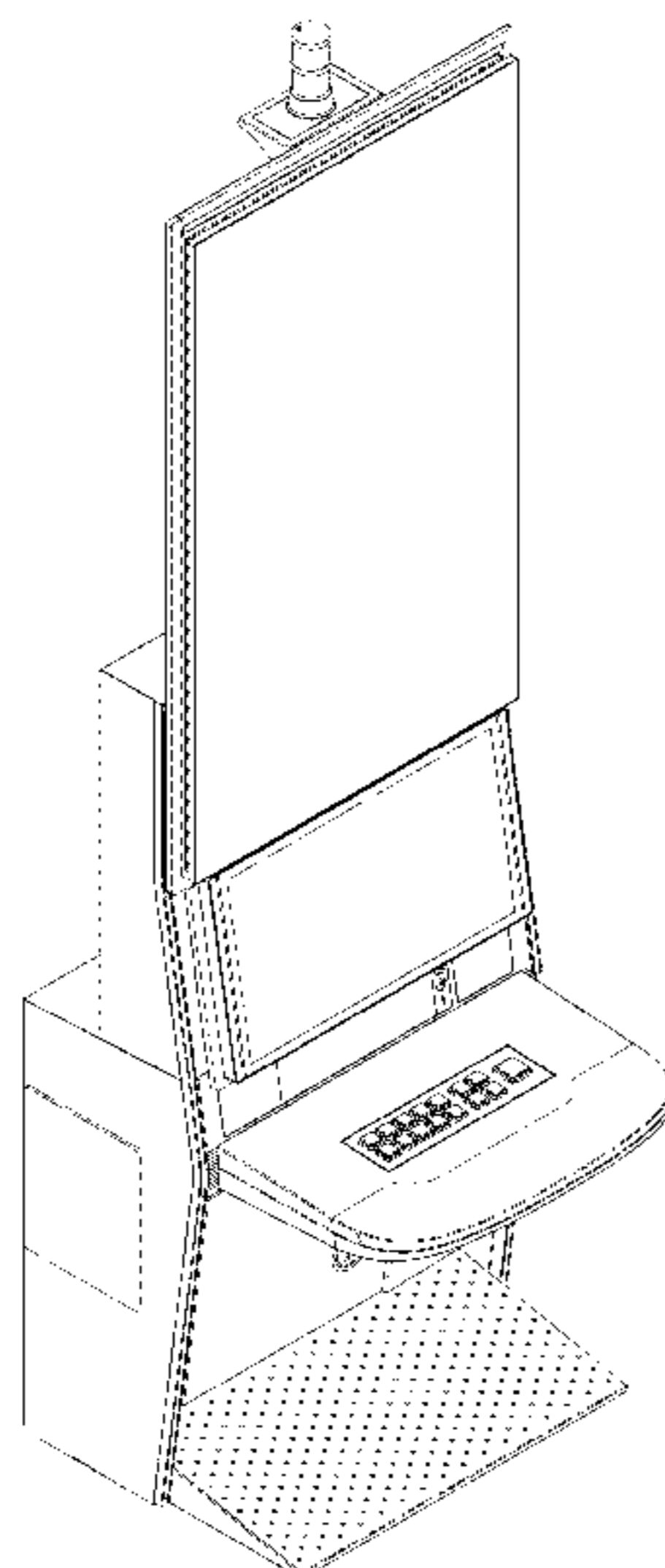
(57) **CLAIM**

We claim the ornamental design for an amusement apparatus, as shown and described.

**DESCRIPTION**

FIG. 1 is a top, front, left side perspective view of an amusement apparatus embodying our new design;  
 FIG. 2 is a front elevational view thereof;  
 FIG. 3 is a right side elevational view thereof;  
 FIG. 4 is a rear elevational view thereof;  
 FIG. 5 is a top plan view thereof; and,  
 FIG. 6 is a bottom plan view thereof.

**1 Claim, 6 Drawing Sheets**



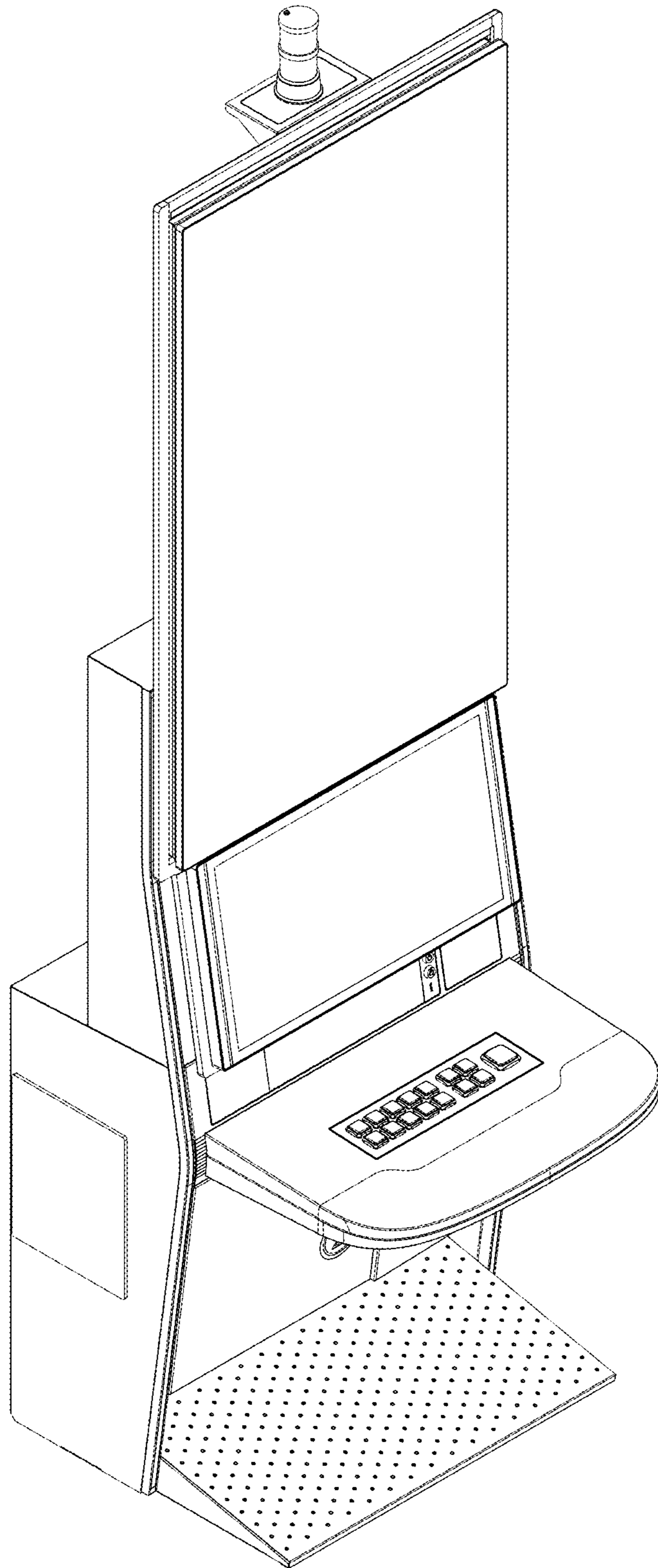


FIG. 1

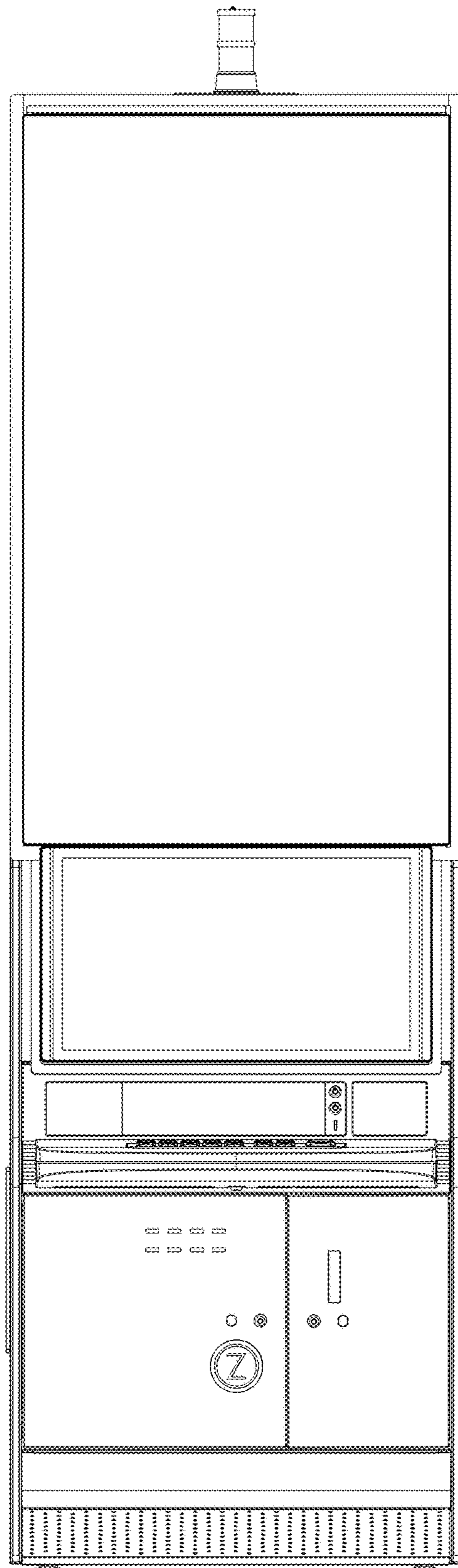


FIG. 2

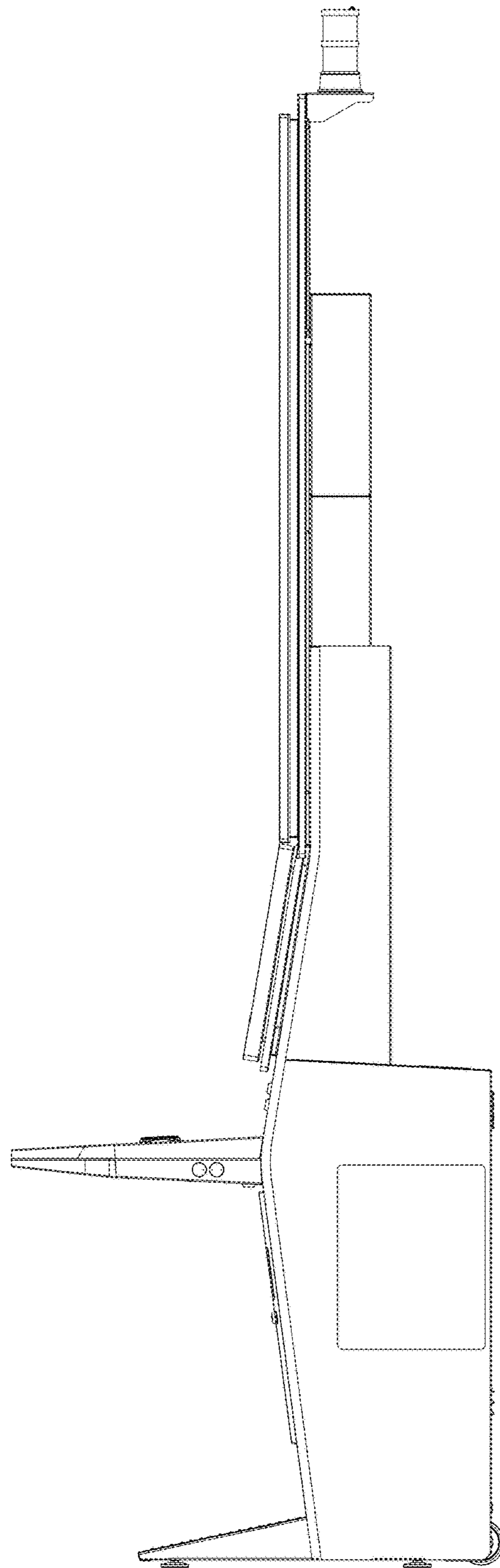


FIG. 3

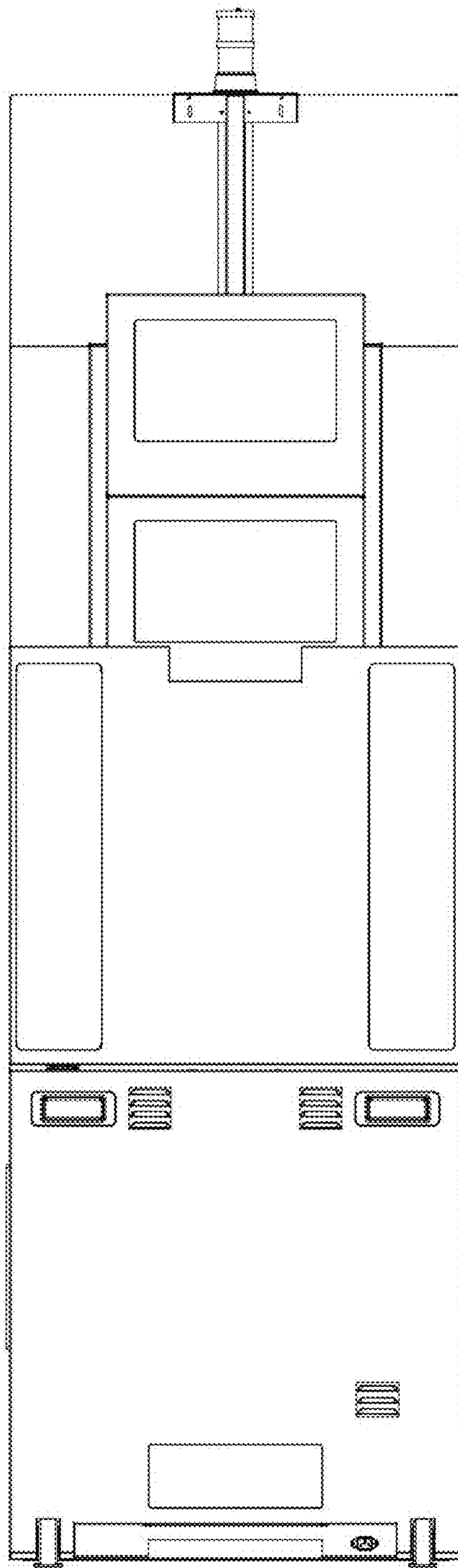


FIG. 4

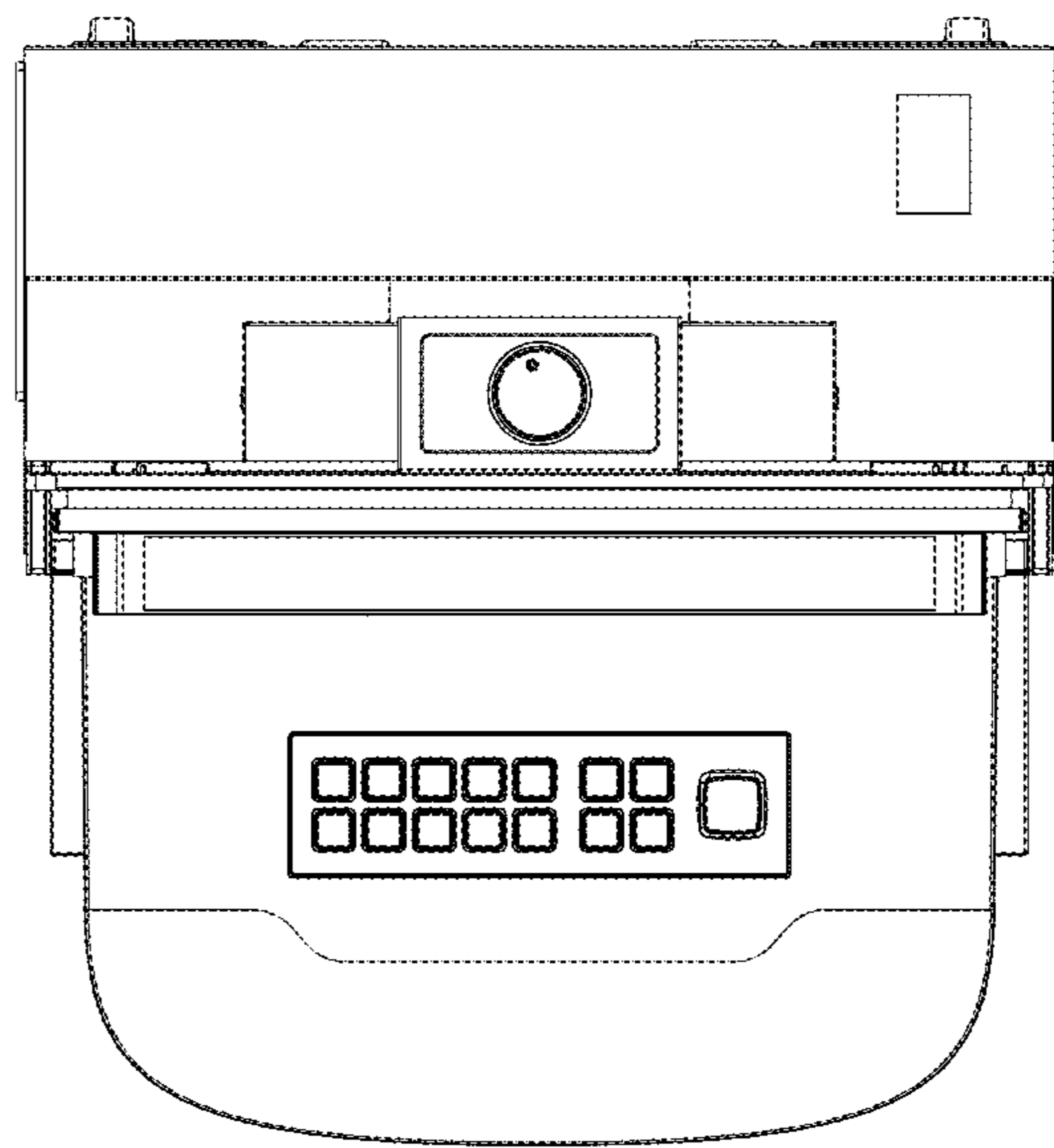


FIG. 5

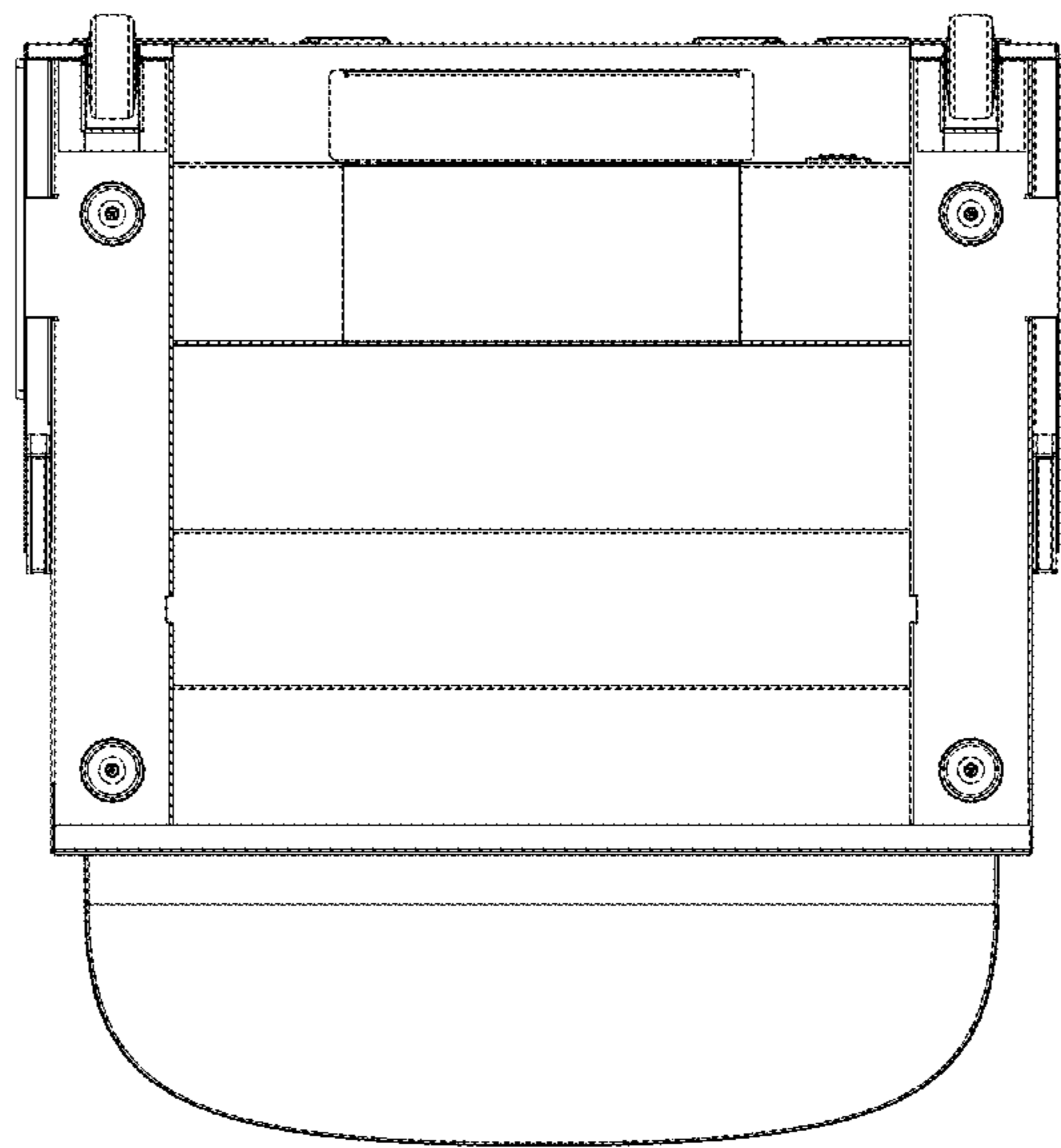


FIG. 6