



US00D987721S

(12) **United States Design Patent** (10) **Patent No.:** **US D987,721 S**
Sakai (45) **Date of Patent:** **** May 30, 2023**

(54) **HOLDING TOOL FOR TOY BEADS**
(71) Applicant: **EPOCH COMPANY, LTD.**, Tokyo (JP)

9,320,330 B2 * 4/2016 Cooke A63F 9/06
D838,776 S * 1/2019 Katav D19/113
10,478,740 B2 * 11/2019 Sakai A63H 33/00
D891,513 S * 7/2020 Sakai D19/111
D891,514 S * 7/2020 Sakai D19/111

(72) Inventor: **Ryo Sakai**, Tokyo (JP)

(Continued)

(73) Assignee: **EPOCH COMPANY, LTD.**, Tokyo (JP)

OTHER PUBLICATIONS

(**) Term: **15 Years**

Deluxe Studio posted by Aqua Beads Store posted date May 1, 2020, © Amazon, [online], [site visited Jan. 28, 2023]. Available from Internet, <https://www.amazon.com/Aquabeads-AB32838-Deluxe-Studio/dp/B078Y33DFJ> (Year: 2020).*

(21) Appl. No.: **29/773,154**

(Continued)

(22) Filed: **Mar. 8, 2021**

(30) **Foreign Application Priority Data**

Primary Examiner — Garth Rademaker

Assistant Examiner — Laura H Yu

Sep. 9, 2020 (JP) 2020-019251 D

(74) *Attorney, Agent, or Firm* — Fitzgerald IP Law; John K. Fitzgerald, Esq.

(51) **LOC (14) Cl.** **19-06**

(52) **U.S. Cl.**
USPC **D19/111**

(58) **Field of Classification Search**
USPC D19/40, 108, 111, 113; D21/650
CPC B41M 1/12; B05C 1/027; B44B 3/002;
A44C 25/001
See application file for complete search history.

(57) **CLAIM**

The ornamental design for a holding tool for toy beads, as shown and described.

(56) **References Cited**

DESCRIPTION

U.S. PATENT DOCUMENTS

1,414,338 A * 5/1922 Bruck B44D 3/02
312/31
2,738,606 A * 3/1956 Klein B44D 3/02
229/72
3,945,490 A * 3/1976 Thompson B44D 3/02
D19/103
D251,648 S * 4/1979 Graviner D19/91
D259,498 S * 6/1981 Kroll D21/337
D273,907 S * 5/1984 Schroeder D34/38
D300,937 S * 5/1989 Yabushita D21/469
D359,526 S * 6/1995 Keung D21/324
D576,208 S * 9/2008 Quercetti D19/37

FIG. 1 is a perspective view of portions of the top, front, and right sides of a holding tool for toy beads showing my new design;

FIG. 2 is a perspective view of portions of the bottom, front, and left sides thereof;

FIG. 3 is a front view thereof;

FIG. 4 is a rear view thereof;

FIG. 5 is a top plan view thereof;

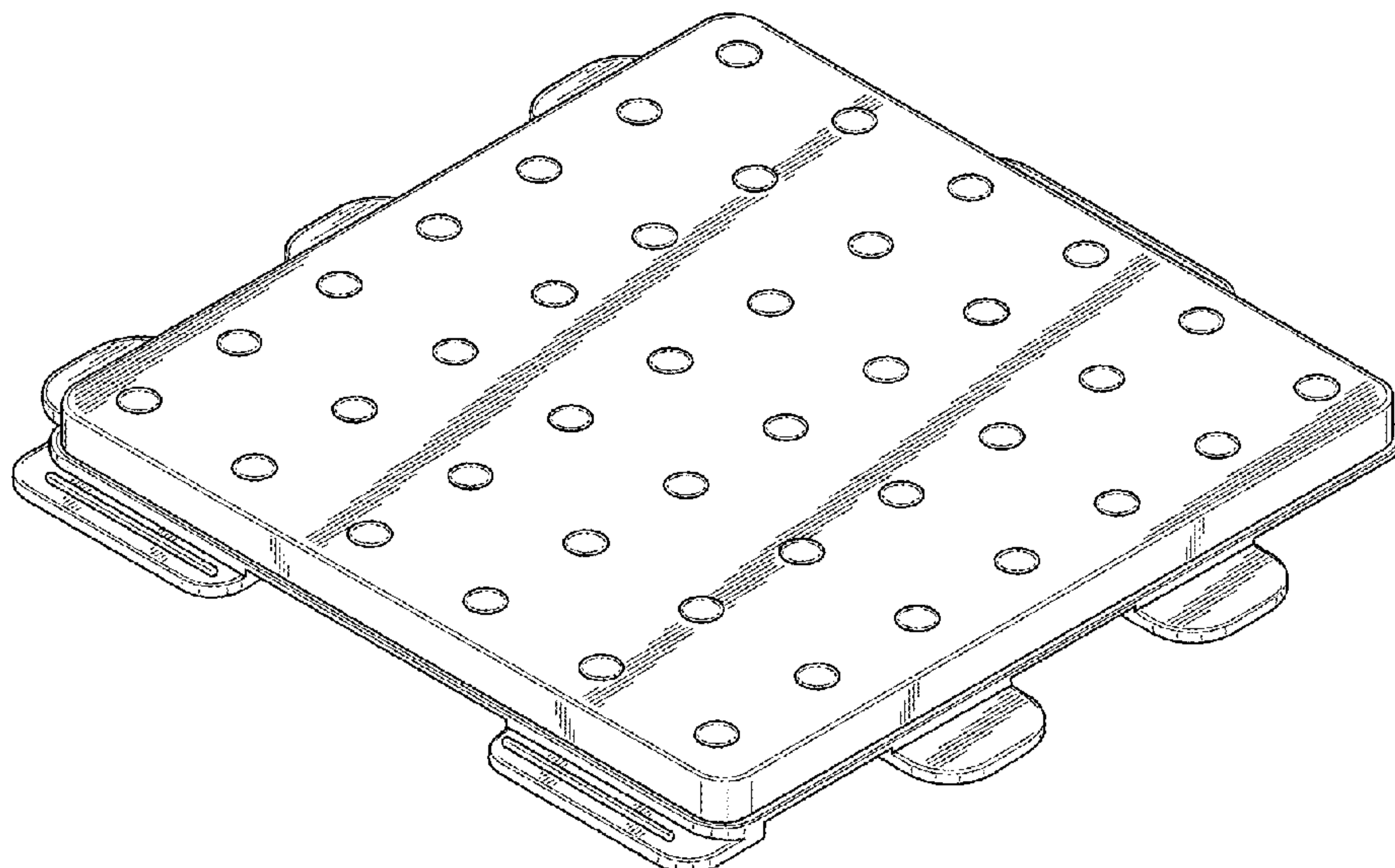
FIG. 6 is a bottom plan view thereof;

FIG. 7 is a right side view thereof; and,

FIG. 8 is a left side view thereof.

The broken lines shown are included for the purpose of illustrating portions of the article which form no part of the claimed design.

1 Claim, 8 Drawing Sheets



(56)

References Cited

U.S. PATENT DOCUMENTS

D923,090 S * 6/2021 Sakai D19/111
2017/0087480 A1* 3/2017 Poulus A63H 33/086
2017/0143094 A1* 5/2017 Kuo A45D 29/00
2017/0246551 A1* 8/2017 Kamiyama A63H 33/001

OTHER PUBLICATIONS

Aquabeads Dreamworks Trolls posted by Aqua Beads Store posted
date Feb. 1, 2020, © Amazon, [online], [site visited Jan. 28, 2023].
Available from Internet, <https://www.amazon.com/Aquabeads-DreamWorks-Playset-Complete-Activity/dp/B0843GRFHD> (Year:
2020).*

* cited by examiner

FIG. 1

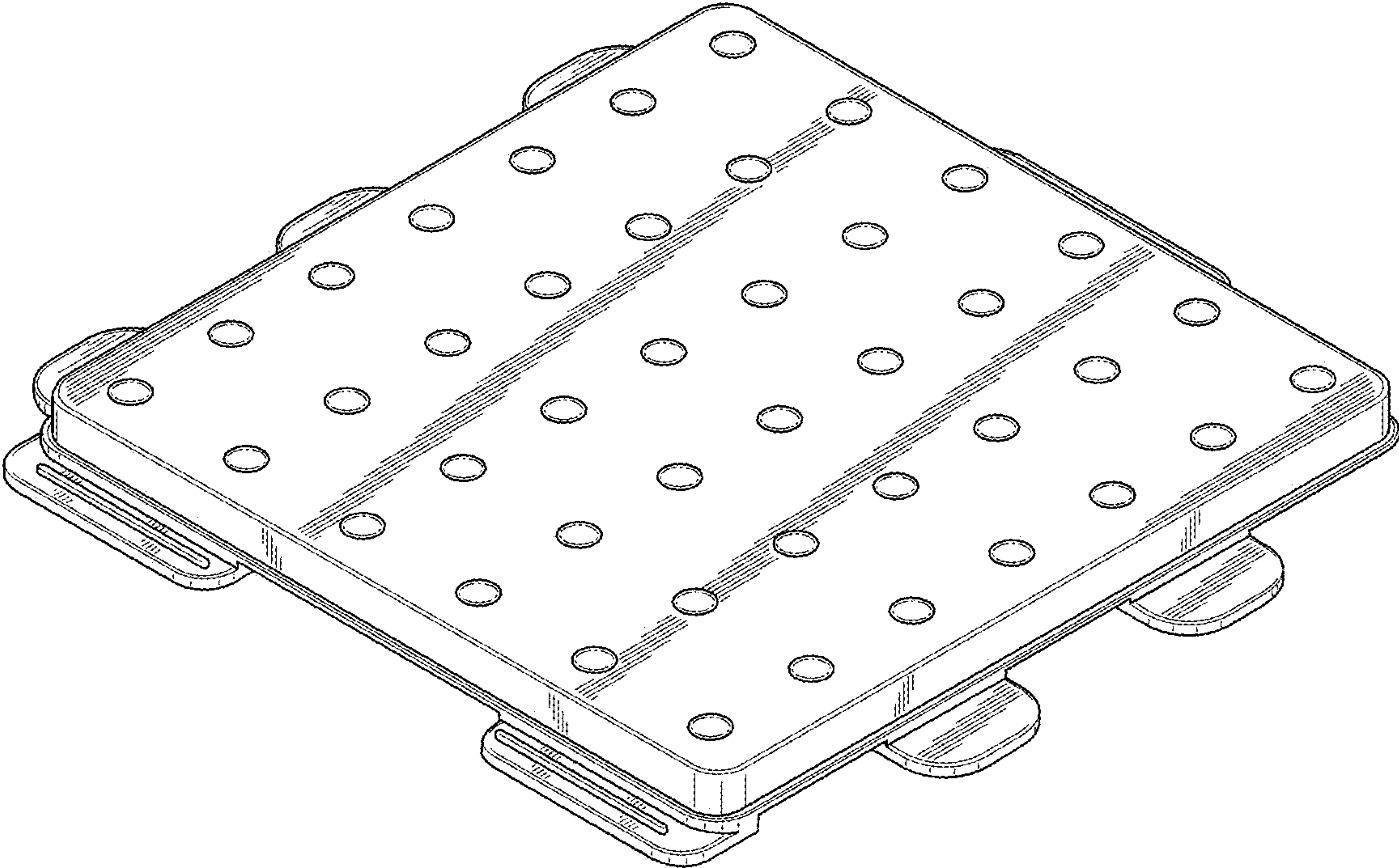


FIG. 2

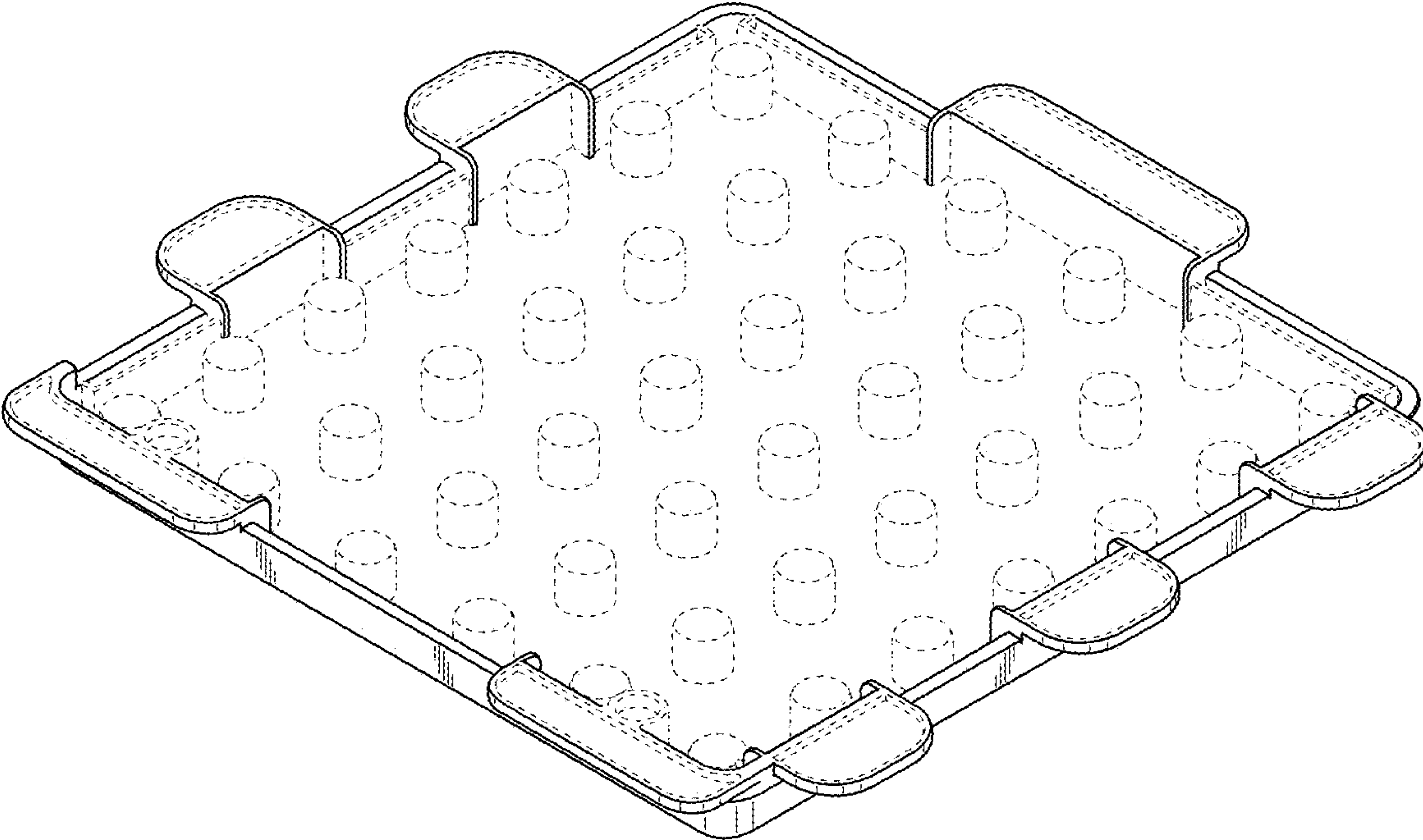


FIG. 3

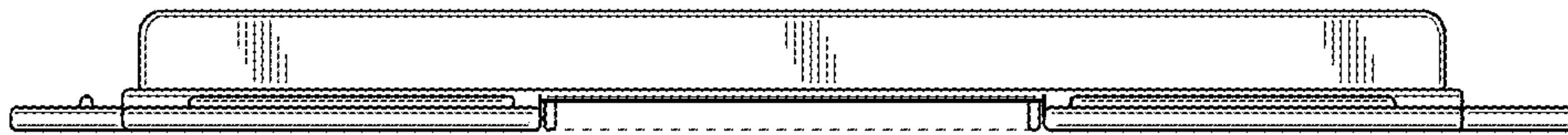


FIG. 4



FIG. 5

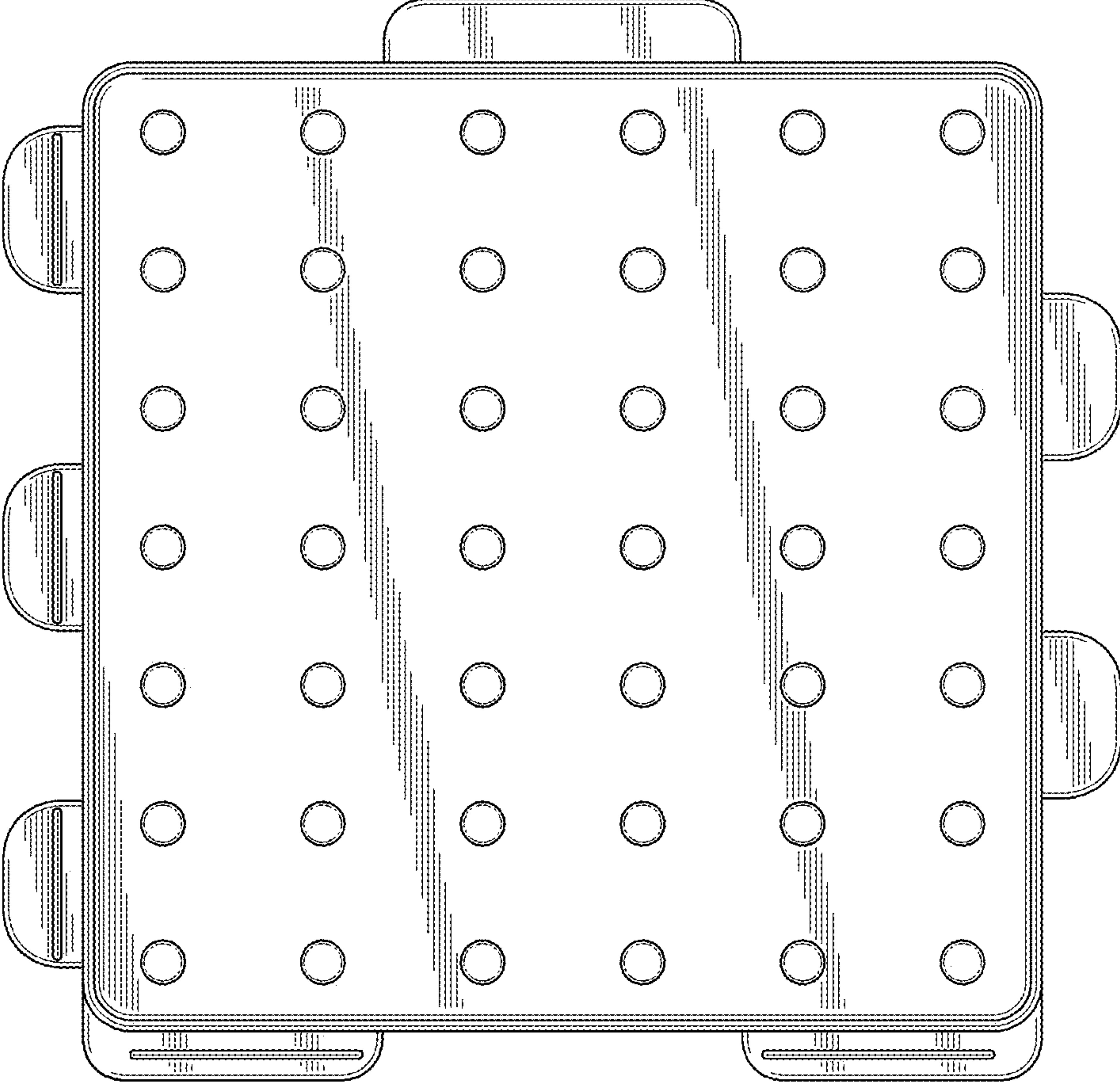


FIG. 6

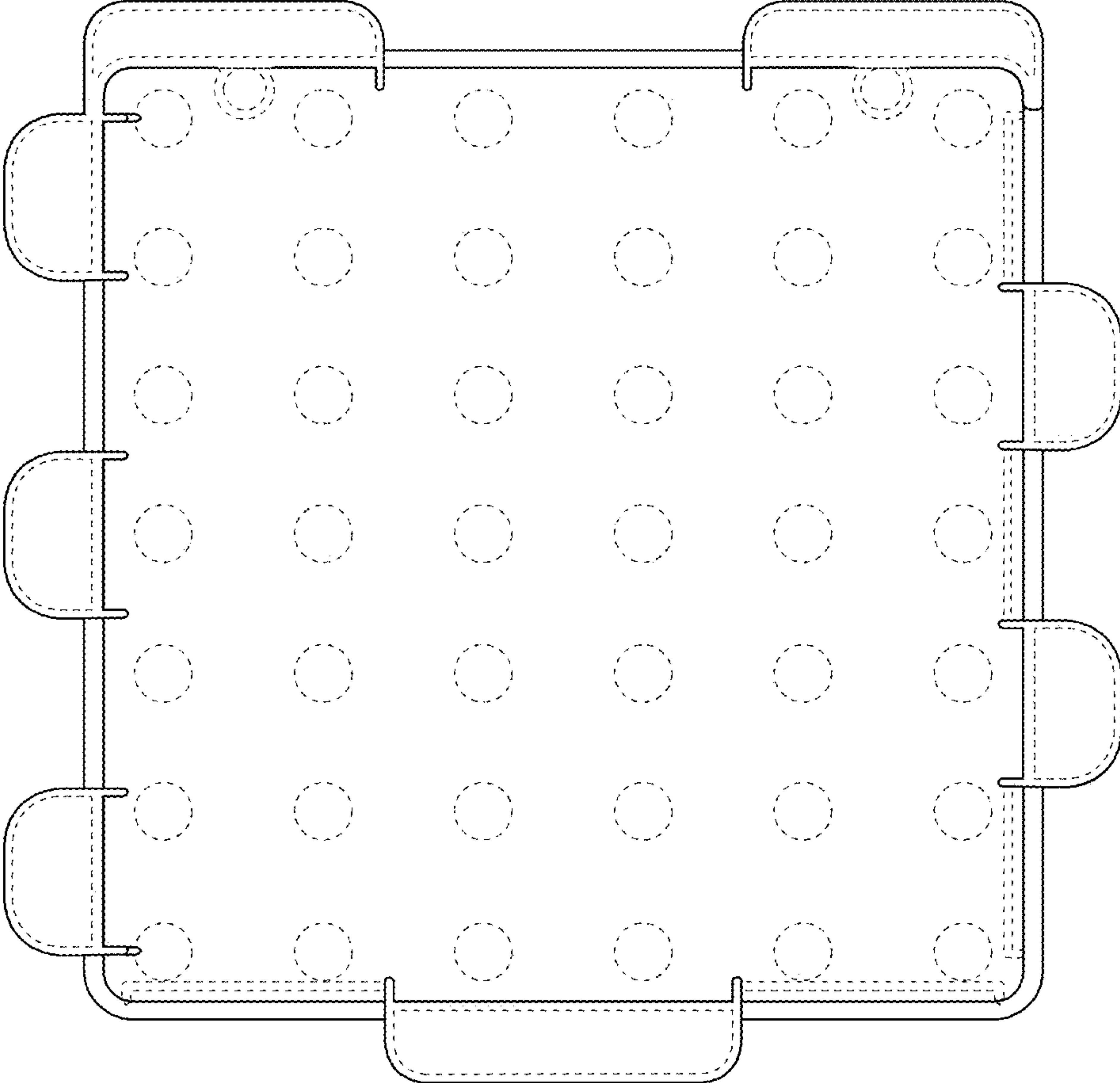


FIG. 7

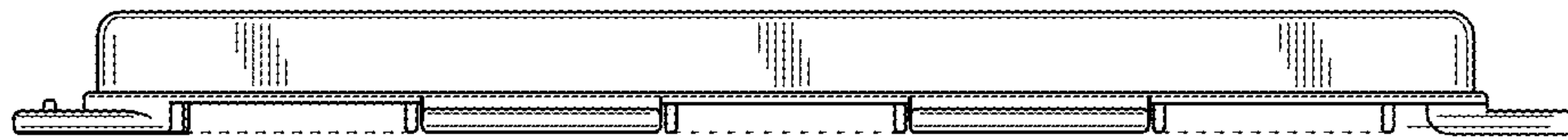


FIG. 8

