



US00D987716S

(12) **United States Design Patent** (10) **Patent No.:** **US D987,716 S**
Sawano et al. (45) **Date of Patent:** **** May 30, 2023**

(54) **TONER CARTRIDGE**
(71) Applicant: **KONICA MINOLTA, INC.**, Tokyo (JP)
(72) Inventors: **Shigeru Sawano**, Toyokawa (JP);
Naoki Nonoyama, Toyokawa (JP)
(73) Assignee: **KONICA MINOLTA, INC.**, Tokyo (JP)

D564,580 S * 3/2008 Nip 347/86
D591,791 S * 5/2009 Matsumoto 347/86
D629,041 S * 12/2010 Gold 347/88
D673,605 S * 1/2013 Johnson D18/56
D744,586 S * 12/2015 Chung D18/43
D759,156 S * 6/2016 Williamson D18/43
D809,596 S * 2/2018 Ishizawa D18/56

FOREIGN PATENT DOCUMENTS

CA 169015 * 1/2017
JP D1638083 * 8/2019

(**) Term: **15 Years**

(21) Appl. No.: **29/752,168**
(22) Filed: **Sep. 25, 2020**

OTHER PUBLICATIONS

Kyocera WT-860 Waste Toner Container, Amazon.com, date published Mar. 14, 2012, date retrieved Aug. 4, 2022—<https://amzn.to/3OSJSwM> (Year: 2012).*

(30) **Foreign Application Priority Data**

Apr. 1, 2020 (JP) 2020-006471

(51) **LOC (14) Cl.** **18-02**

(52) **U.S. Cl.**
USPC **D18/56**

(58) **Field of Classification Search**
USPC D9/631, 708; D14/218, 314, 341, 346,
D14/356, 432; D18/18, 40, 43, 56
CPC G03G 2221/1648; G03G 2215/0668; Y10S
222/01

See application file for complete search history.

(Continued)

Primary Examiner — Nicole C Shiflet
Assistant Examiner — Danielle Nichole Bowly
(74) *Attorney, Agent, or Firm* — Buchanan Ingersoll & Rooney PC

(57) **CLAIM**

The ornamental design for a toner cartridge, as shown and described.

DESCRIPTION

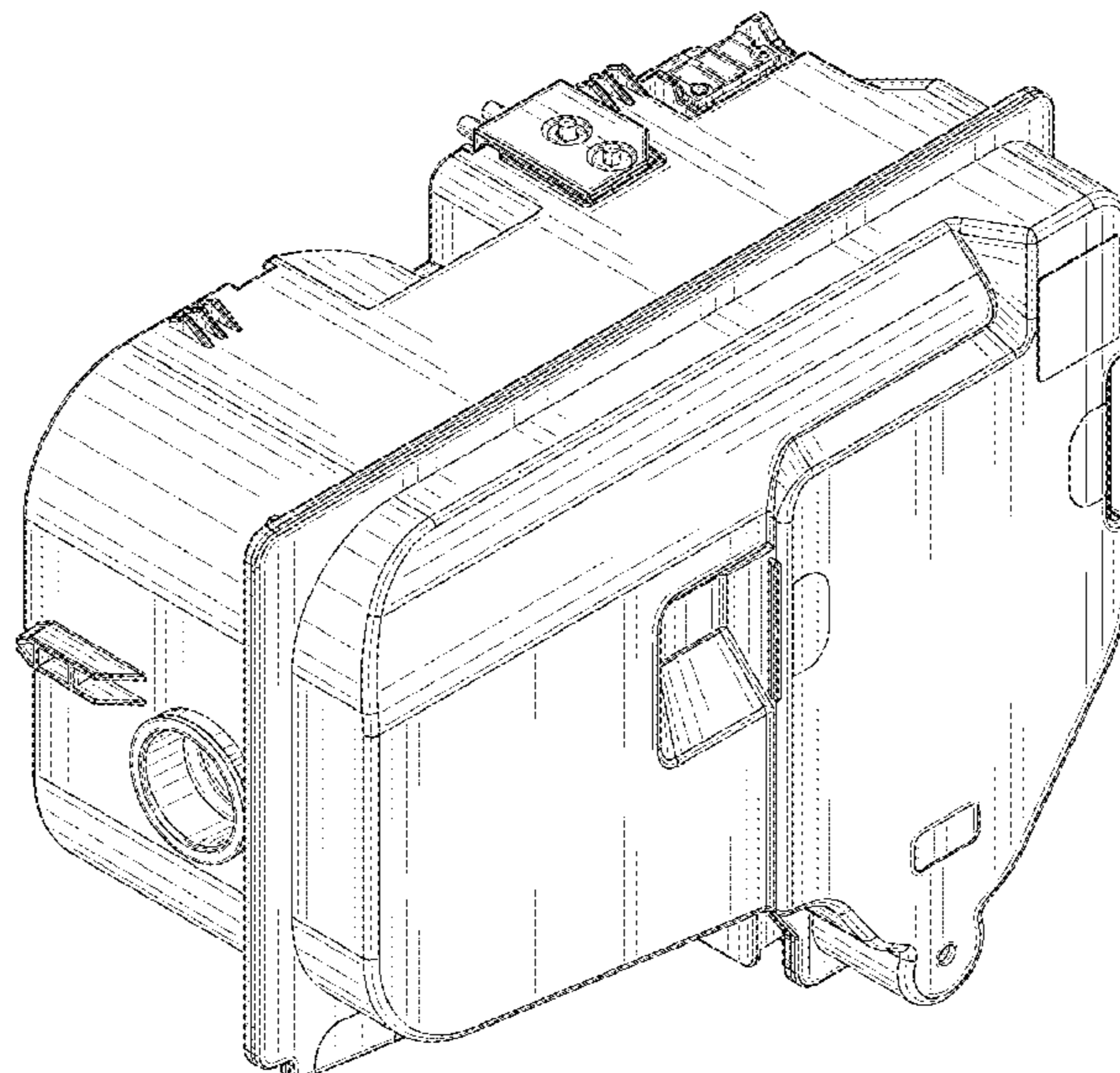
FIG. 1 is a front elevational view of a toner cartridge showing our new design;
FIG. 2 is a rear elevational view thereof;
FIG. 3 is a left side elevational view thereof;
FIG. 4 is a right side elevational view thereof;
FIG. 5 is a top plan view thereof;
FIG. 6 is a bottom plan view thereof; and,
FIG. 7 is a front, left and top perspective view thereof.
The portions of the drawings illustrated in broken lines form no part of the claimed design.

(56) **References Cited**

U.S. PATENT DOCUMENTS

3,473,703 A * 10/1969 Lippincott B65D 75/5866
222/215
D361,343 S * 8/1995 Kaplinsky D18/56
D363,507 S * 10/1995 Kashino D18/56
D380,491 S * 7/1997 Tashiro D18/56
D407,746 S * 4/1999 Fujii 347/86
D411,568 S * 6/1999 Steinmetz 347/86
D430,601 S * 9/2000 Kotaki 347/86
D441,013 S * 4/2001 Kotaki 347/86

1 Claim, 7 Drawing Sheets



(56)

References Cited

OTHER PUBLICATIONS

Kyocera Waste Toner Container, Amazon.com, date published Aug. 12, 2014, date retrieved Aug. 4, 2022—<https://www.amazon.com/Kyocera-Waste-Toner-Container-302F994091/dp/B007LHTSOY> (Year: 2014).*

* cited by examiner

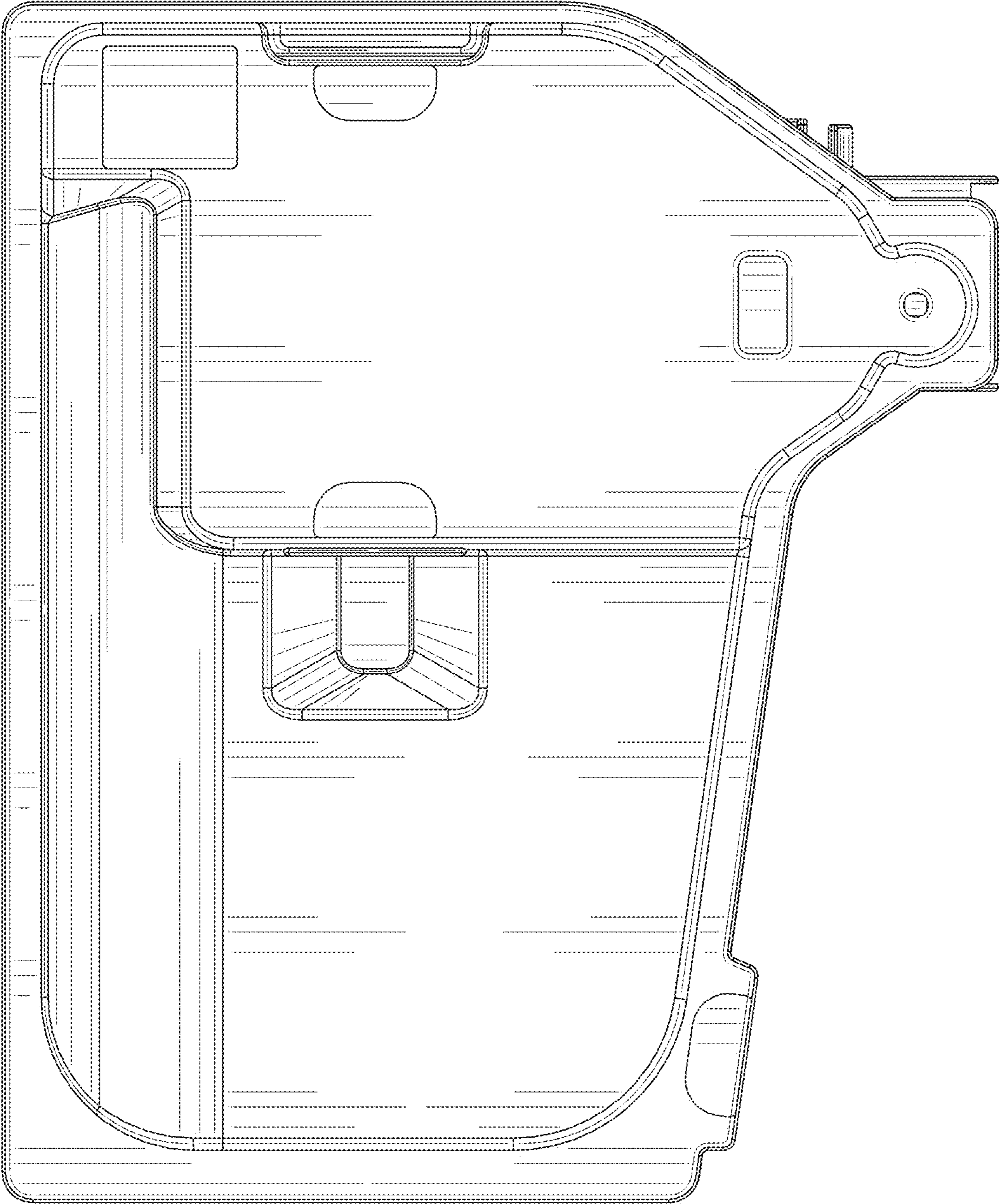


FIG. 1

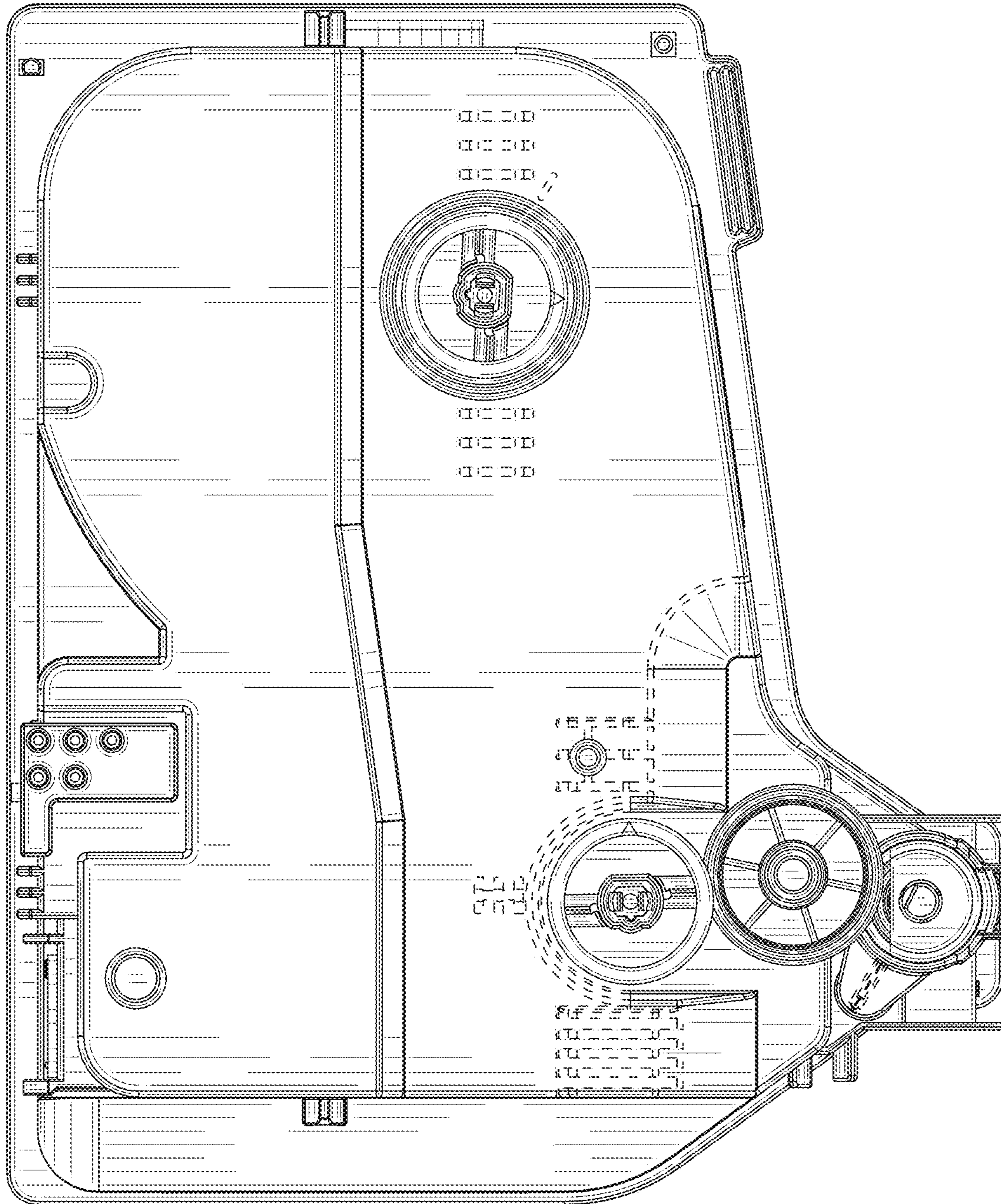


FIG. 2

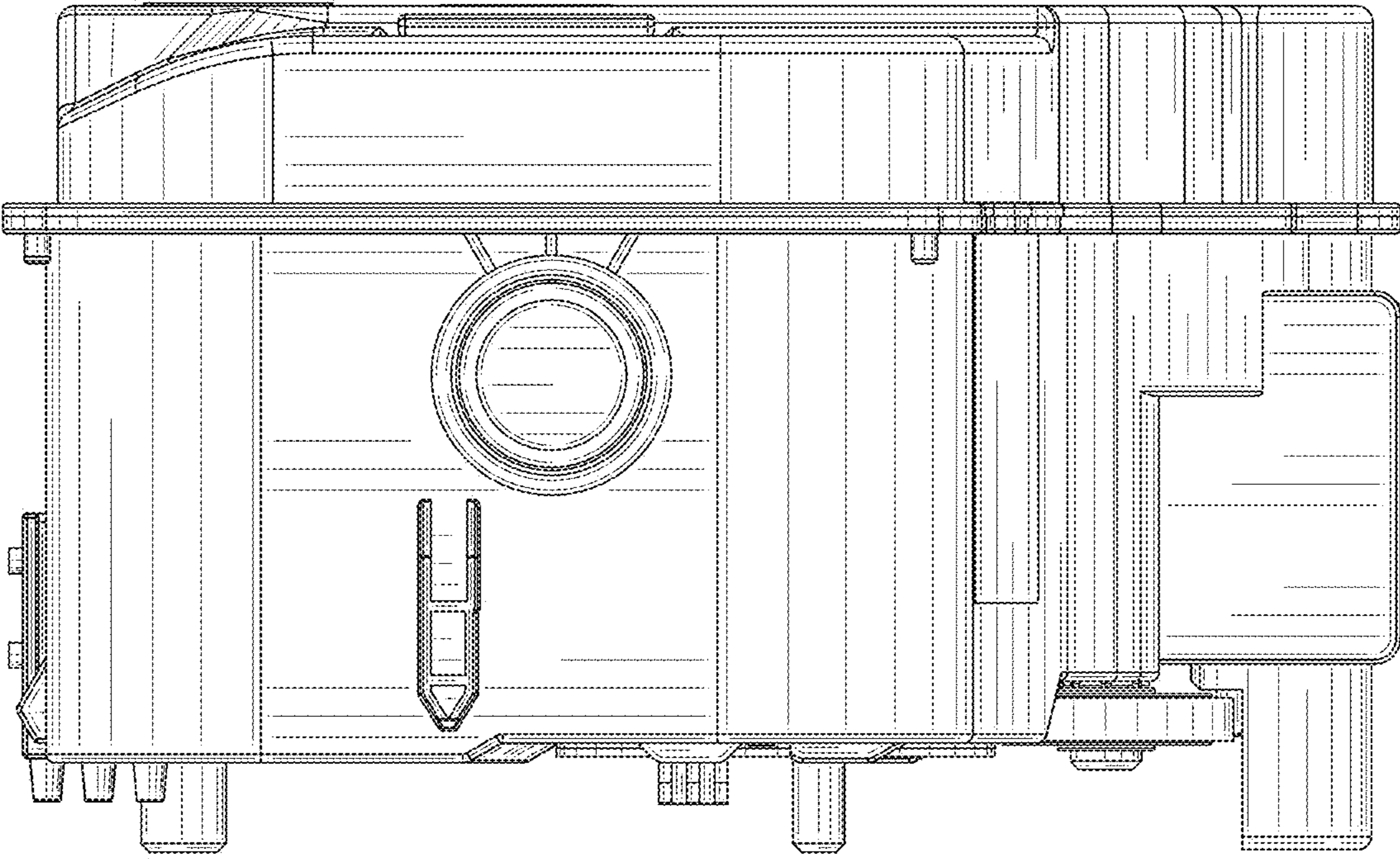


FIG. 3

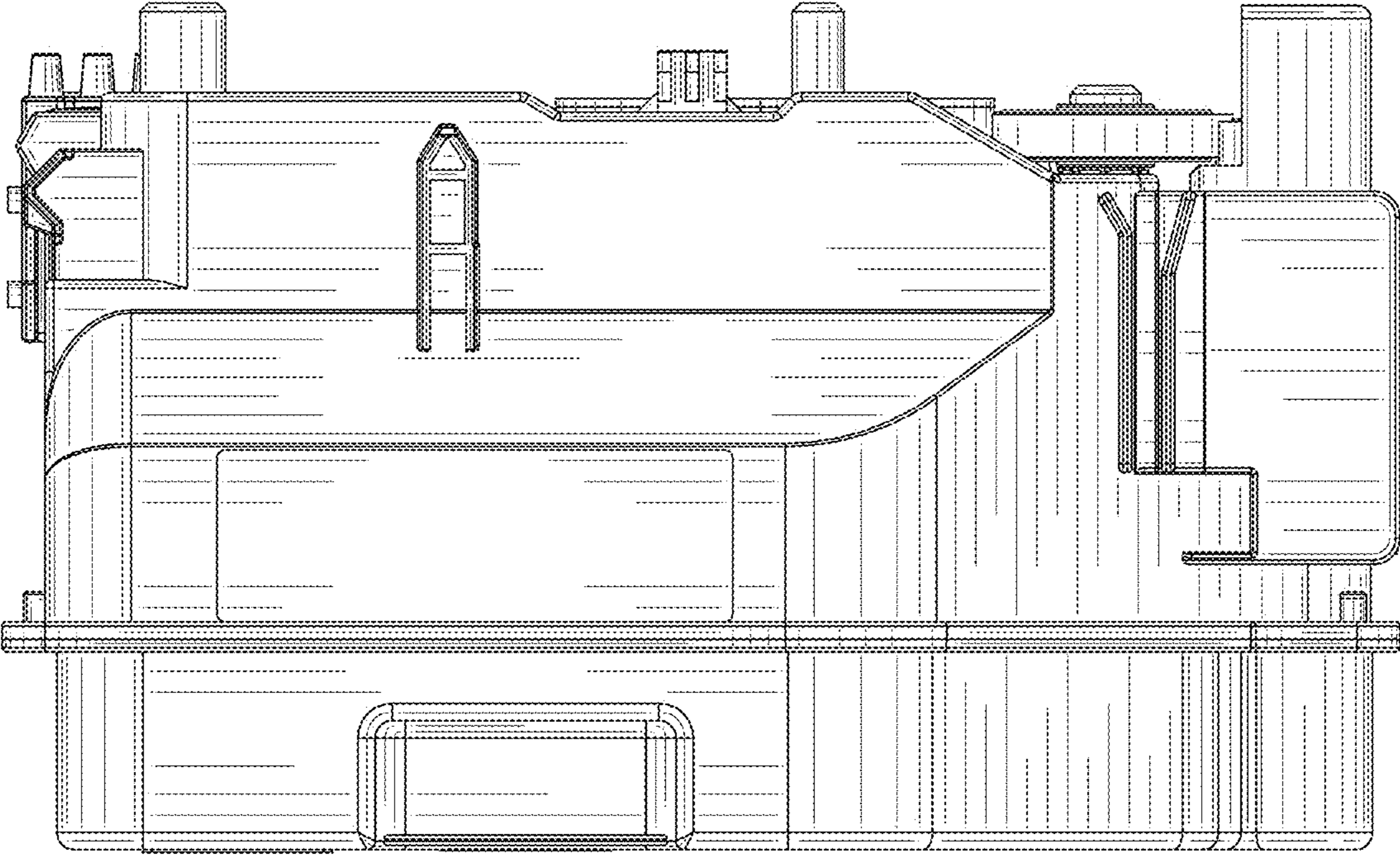


FIG. 4

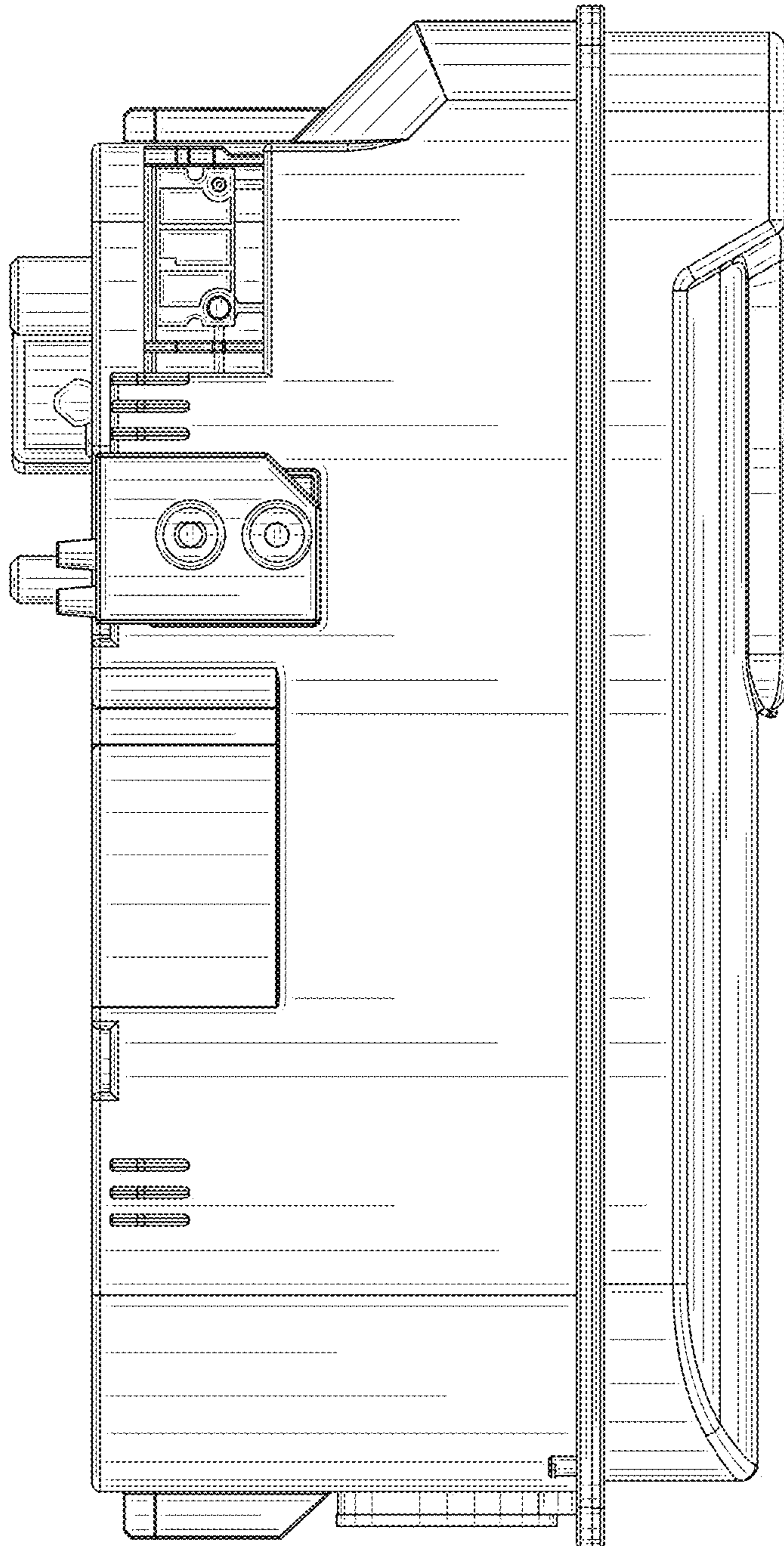


FIG. 5

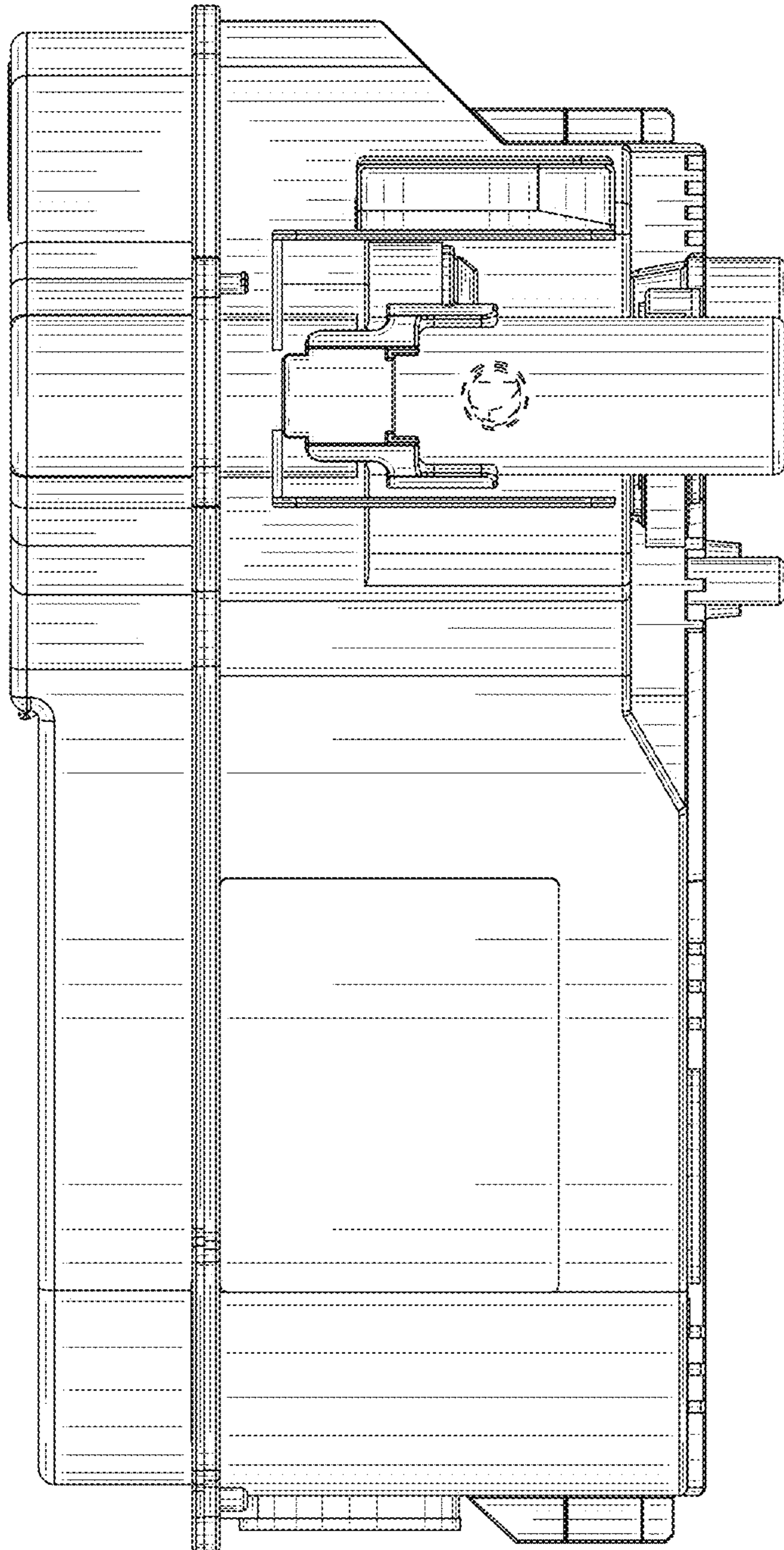


FIG. 6

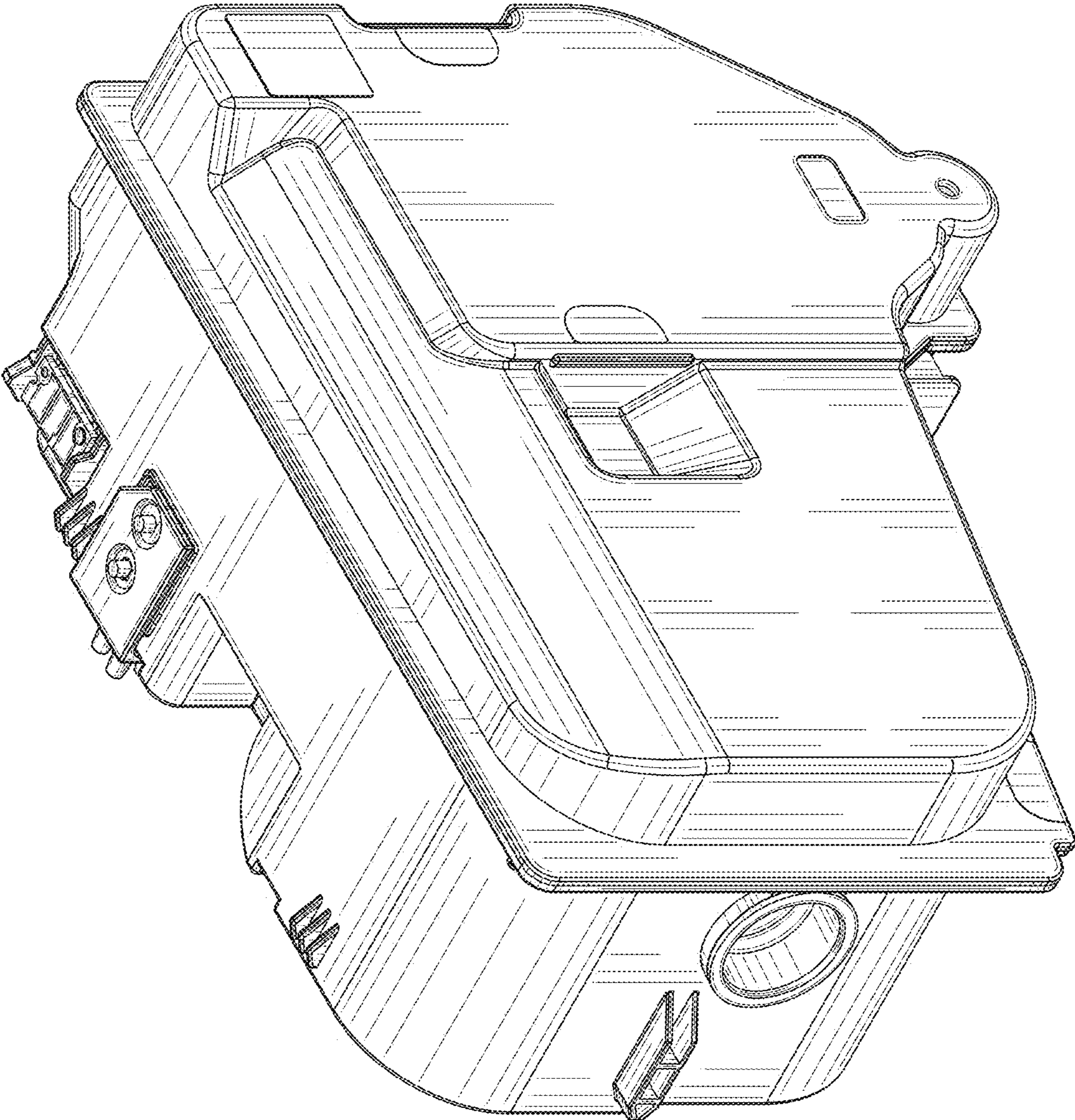


FIG. 7