



US00D987714S

(12) **United States Design Patent**
Korbuly et al.

(10) **Patent No.:** **US D987,714 S**
(45) **Date of Patent:** **** May 30, 2023**

(54) **CUTTING MACHINE HAVING A REDUCED FORM FACTOR**

(71) Applicant: **Cricut, Inc.**, South Jordan, UT (US)

(72) Inventors: **Marc Korbuly**, Salt Lake City, UT (US); **Thomas Crisp**, Cottonwood Heights, UT (US); **Grayson Stopp**, San Francisco, CA (US)

(73) Assignee: **Cricut, Inc.**, South Jordan, UT (US)

(**) Term: **15 Years**

(21) Appl. No.: **29/720,304**

(22) Filed: **Jan. 10, 2020**

(51) **LOC (14) Cl.** **18-04**

(52) **U.S. Cl.**
USPC **D18/34.3**

(58) **Field of Classification Search**
USPC D18/34.1, 34.2, 34.3, 34.4, 34.5, 34.6, D18/34.7, 34.8, 34.9, 36, 50, 53, 54; D15/123, 127, 128, 133
CPC B26D 1/045; B26D 1/065; B26D 1/08; B26D 1/085; B26D 1/10; B26D 1/105; B26D 1/125; B26D 1/147; B26D 1/1475; B26D 1/15; B26D 1/151; B26D 1/153; B26D 1/1535; B26D 1/185; B26D 1/305; B26D 1/34; B26D 1/345; B26D 1/36; B26D 1/365; B26D 1/38; B26D 1/385; B26D

(Continued)

(56) **References Cited**

U.S. PATENT DOCUMENTS

D466,552 S * 12/2002 Hwang D18/55
6,676,318 B2 * 1/2004 Hwang B41J 29/02
400/693

(Continued)

FOREIGN PATENT DOCUMENTS

HK 0110880-0001 * 9/2001
WO WO-2012130161 A1 * 10/2012 B02C 18/0007
WO WO-2021119449 A1 * 6/2021 B26D 1/60

OTHER PUBLICATIONS

YouTube. Link: <https://www.youtube.com/watch?v=Okce86GtSKI>.
Nov. 18, 2020. Why Cricut Joy™? (Year: 2020).*

Primary Examiner — Lauren D McVey

(57) **CLAIM**

The ornamental design for a cutting machine having a reduced form factor, as shown and described.

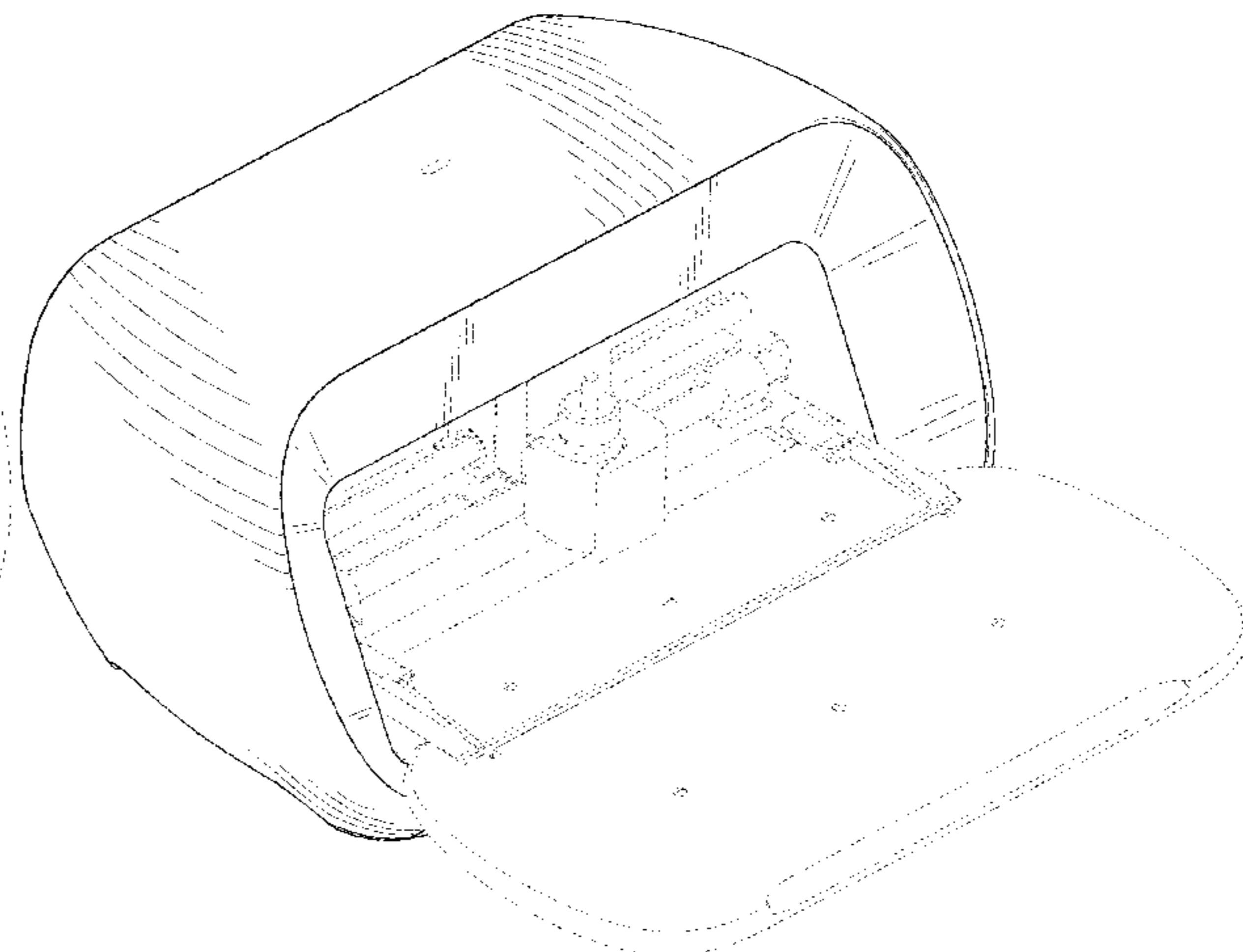
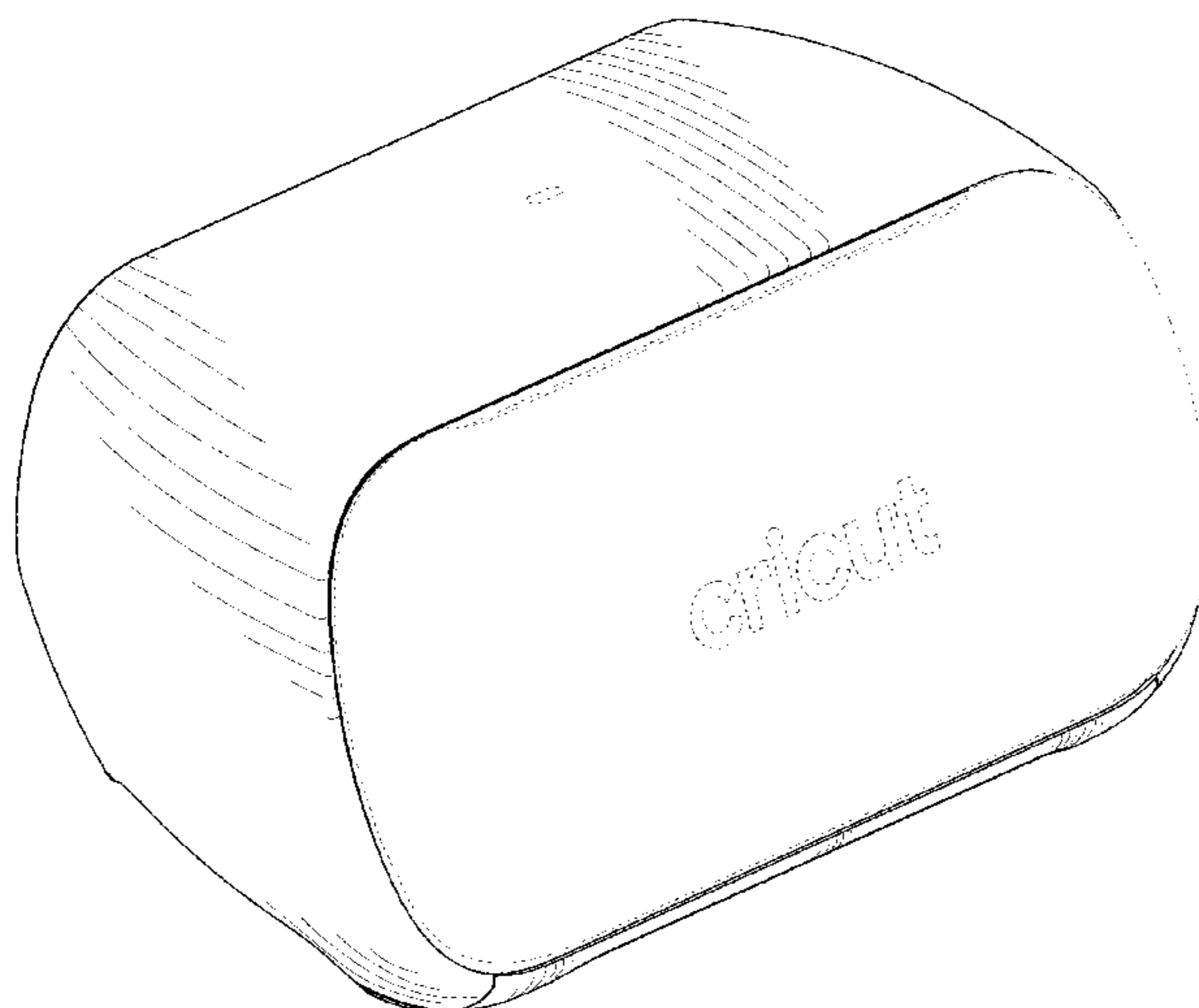
DESCRIPTION

FIG. 1 is a front, left, top isometric view of a first embodiment of a cutting machine having a reduced form factor, showing our new design;
FIG. 2 is a rear, left, bottom isometric view thereof;
FIG. 3 is a front elevation view thereof;
FIG. 4 is a rear elevation view thereof;
FIG. 5 is a left elevation view thereof;
FIG. 6 is a right elevation view thereof;
FIG. 7 is a top plan view thereof;
FIG. 8 is a bottom plan view thereof;
FIG. 9 is a front, left, top isometric view of a second embodiment of a cutting machine having a reduced form factor, showing our new design;
FIG. 10 is a rear, left, bottom isometric view thereof;
FIG. 11 is a front elevation view thereof;
FIG. 12 is a rear elevation view thereof;
FIG. 13 is a left elevation view thereof;
FIG. 14 is a right elevation view thereof;
FIG. 15 is a top plan view thereof; and,
FIG. 16 is a bottom plan view thereof.

The broken dash lines shown in the drawings show portions of the device that form no part of the claimed design.

The “cricut” lettering and/or icon forming part of the disclosure is a registered trademark of Cricut, Inc.

1 Claim, 16 Drawing Sheets



(58) **Field of Classification Search**

CPC . 1/56; B26D 1/565; B26D 1/58; B26D 1/585;
B26D 5/083; B26D 7/015; B26D 7/025;
B26D 7/22; B26D 1/0006; B26D 5/16;
B26D 7/2614; B23D 35/008; Y10T
83/7763; Y10T 83/8822; Y10T 83/885;
Y10T 83/8851; Y10T 83/7507; Y10T
83/8874; Y10T 83/8814; Y10T 83/9493;
Y10T 83/7533; Y10T 83/8821; Y10T
83/828; Y10T 83/872; Y10T 83/8841;
Y10S 83/955

See application file for complete search history.

(56) **References Cited**

U.S. PATENT DOCUMENTS

D518,089	S	*	3/2006	Massey	D16/237
D523,469	S	*	6/2006	Hwang	D18/50
D533,897	S	*	12/2006	Workman	D18/34.3
D534,204	S	*	12/2006	Workman	D18/34.3
D543,583	S	*	5/2007	Workman	D18/34.3
D566,756	S	*	4/2008	Massey	D18/50
D568,929	S	*	5/2008	Miticocchio	D18/50
D699,781	S	*	2/2014	Hasui	D18/34.9
D720,395	S	*	12/2014	Umezawa	D18/34.3
D823,936	S	*	7/2018	Nanno	D18/34.3
D832,337	S	*	10/2018	Nanno	D18/34.3

* cited by examiner

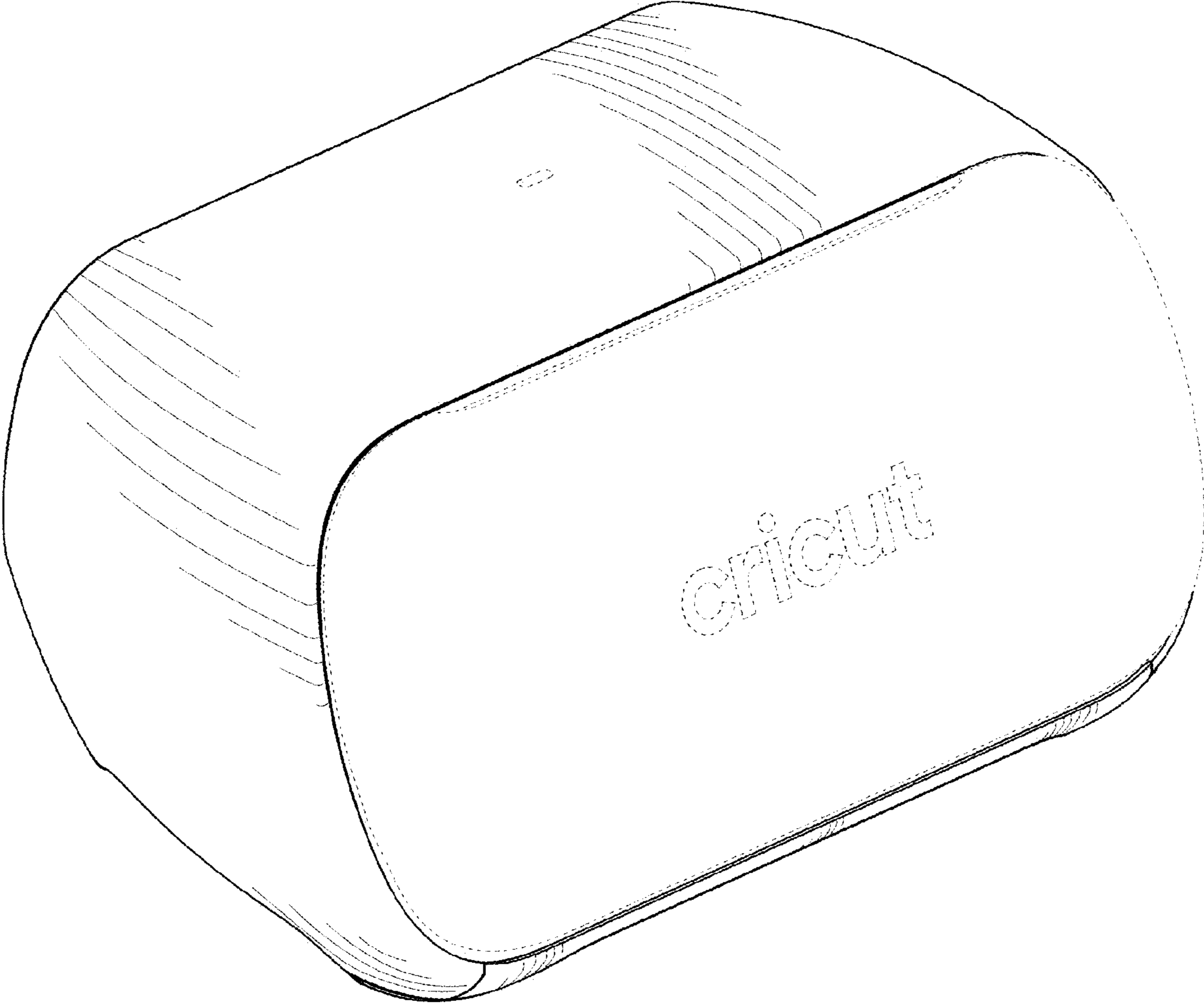


FIG. 1

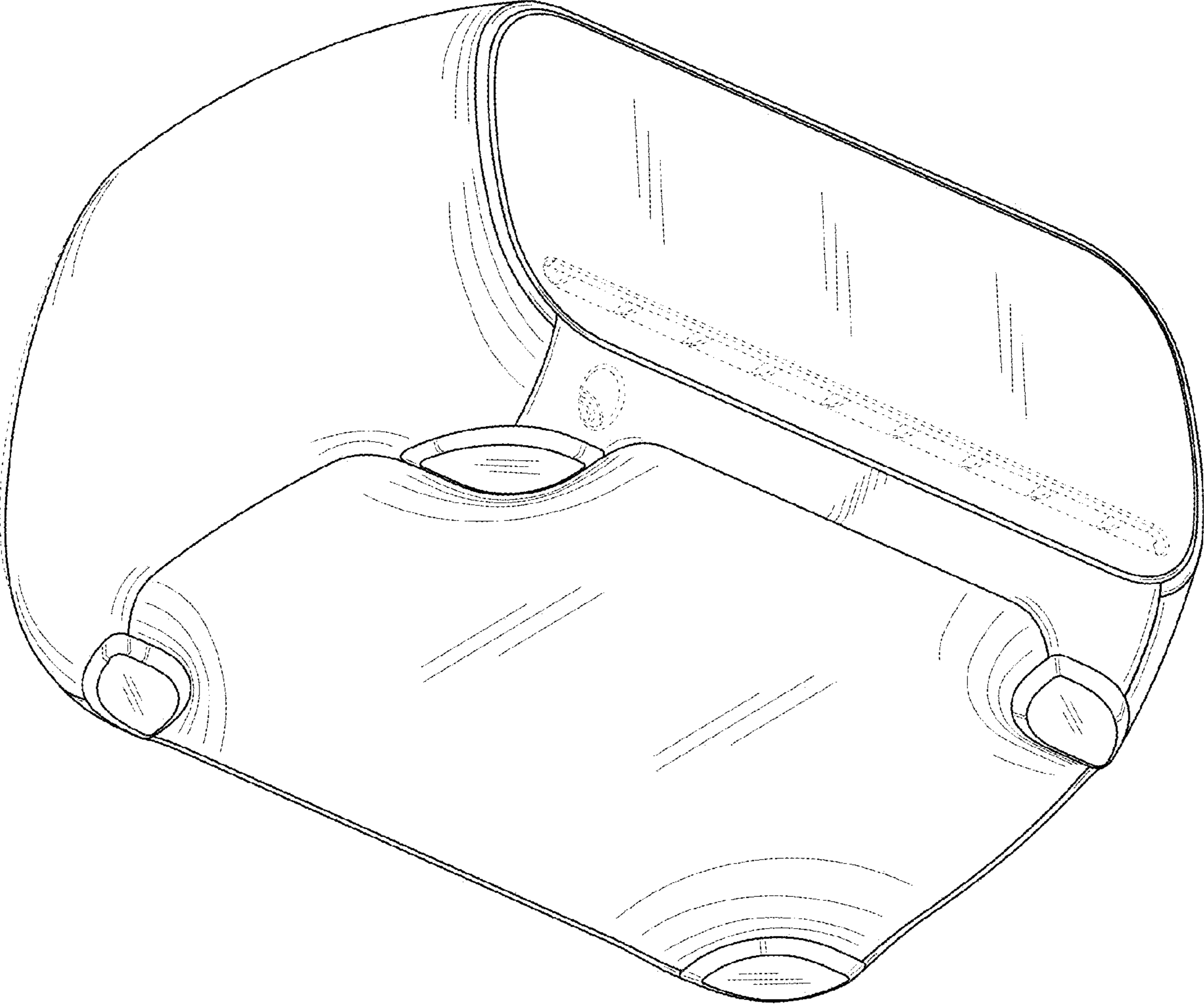


FIG. 2

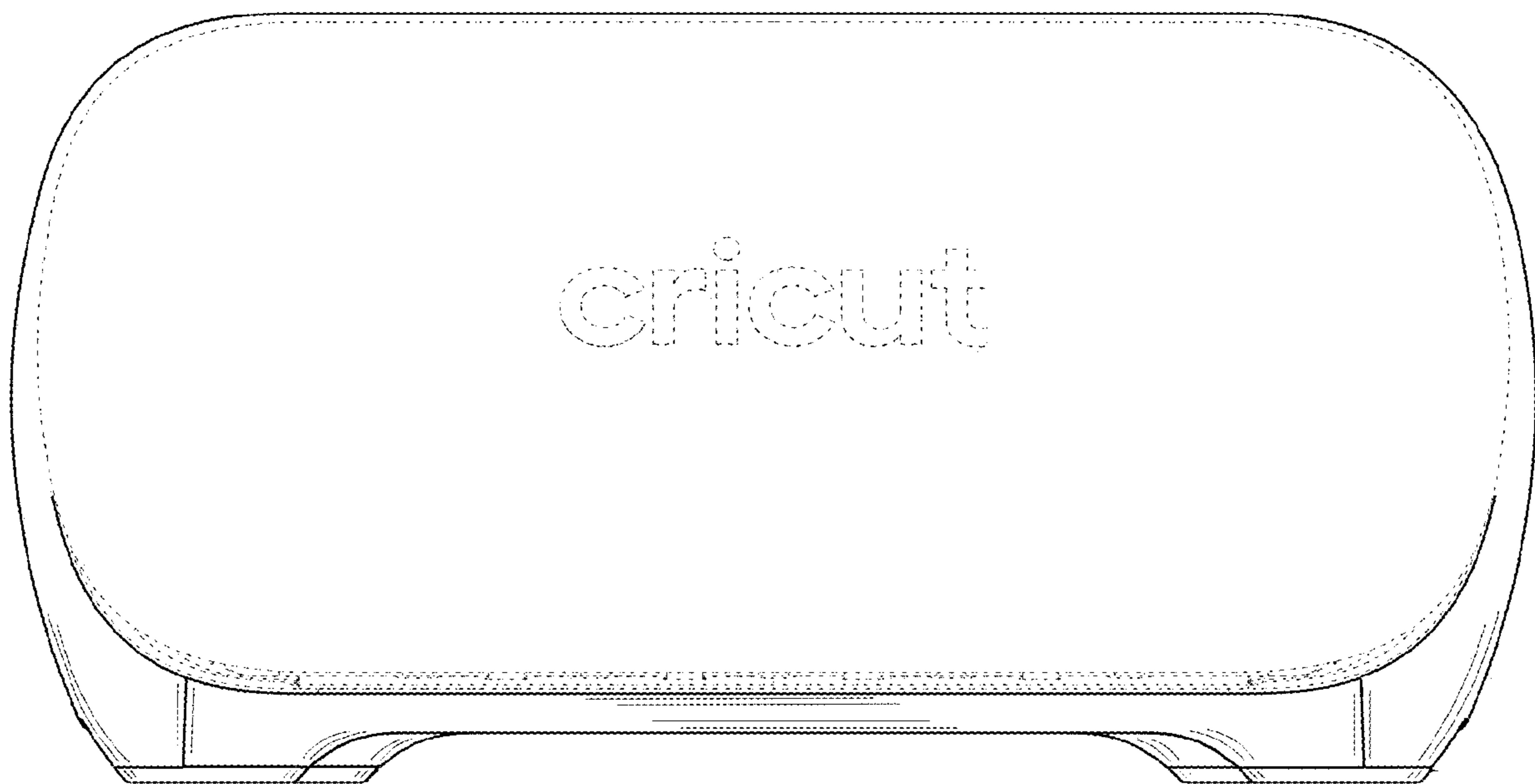


FIG. 3

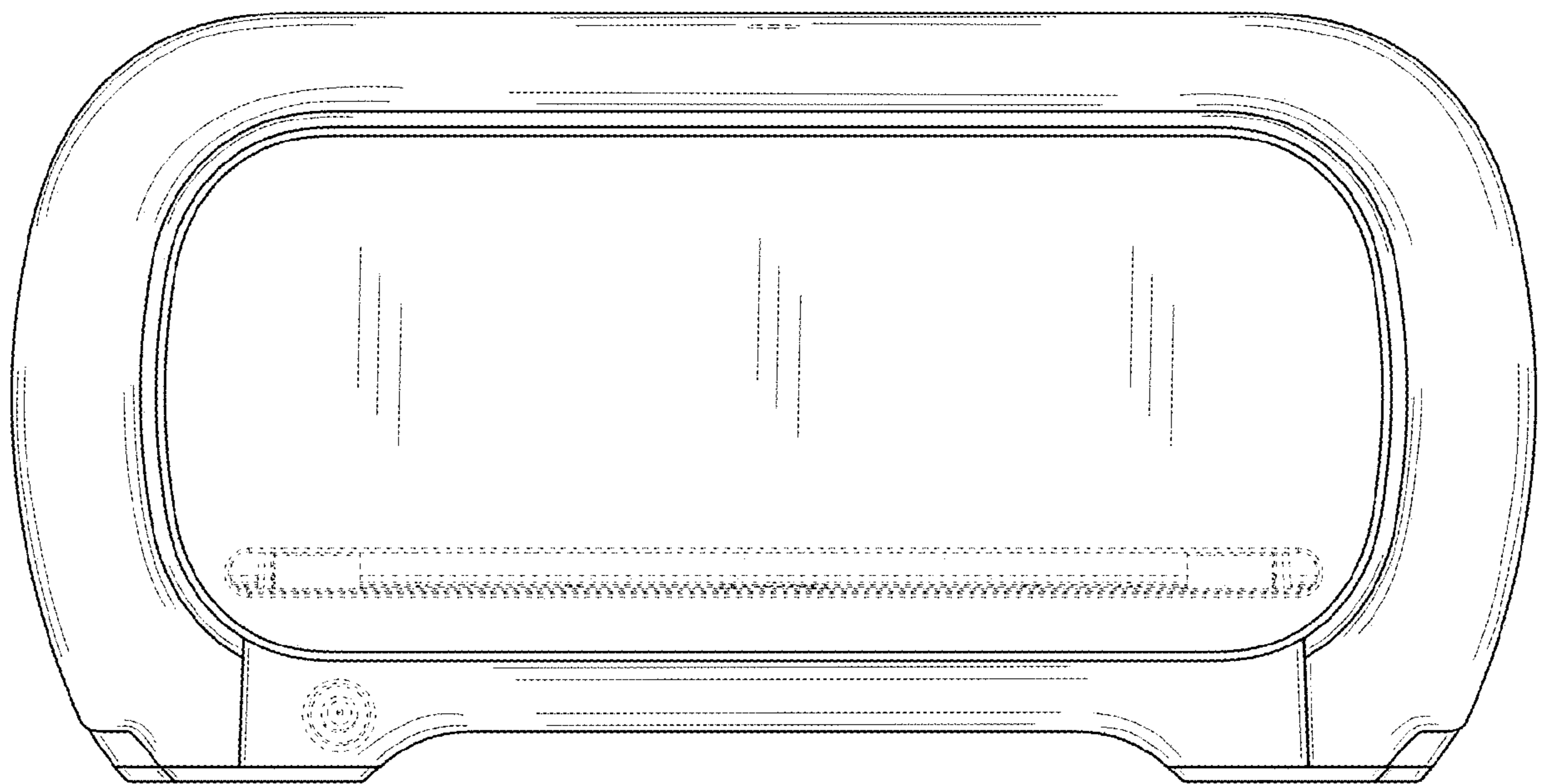


FIG. 4

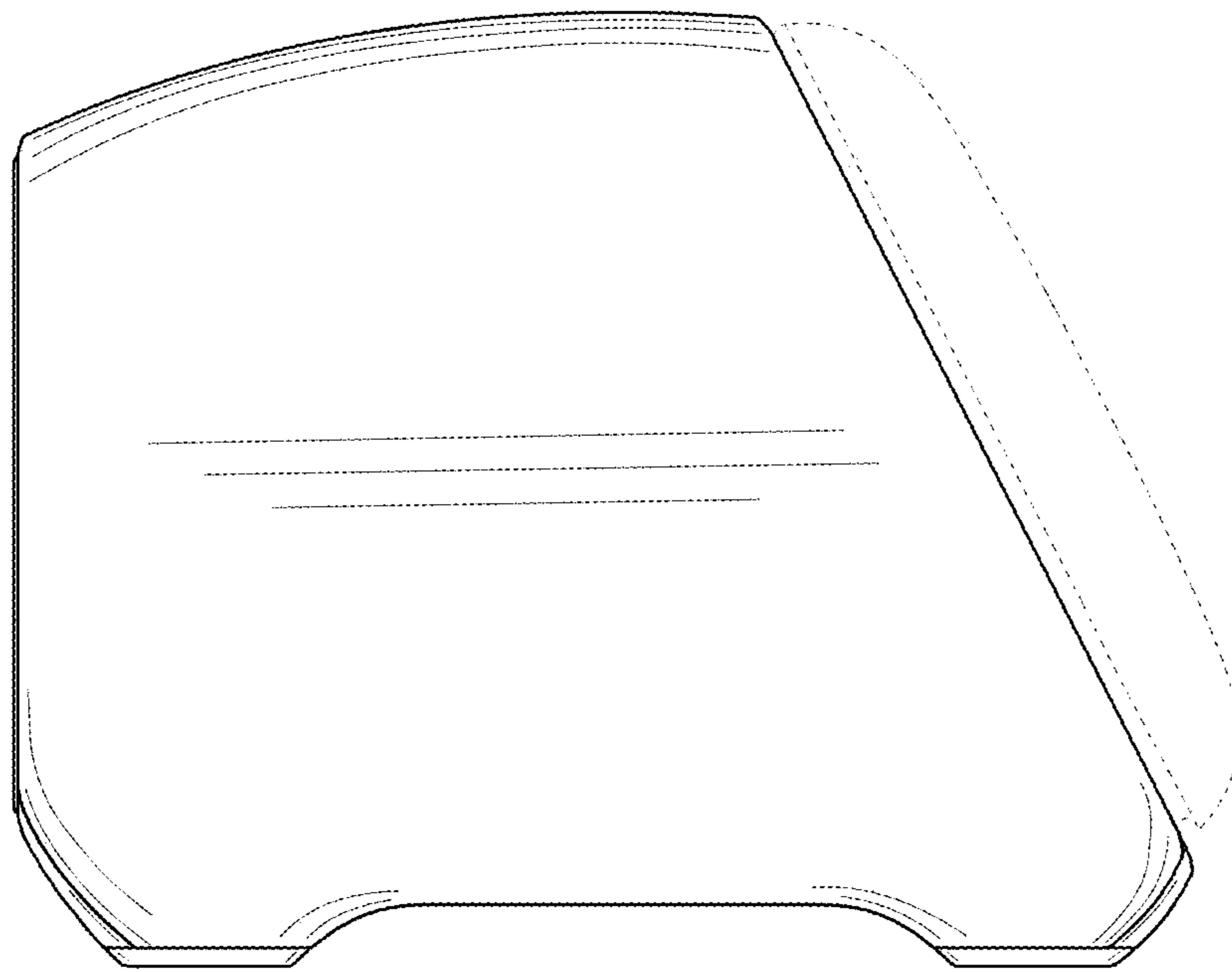


FIG. 5

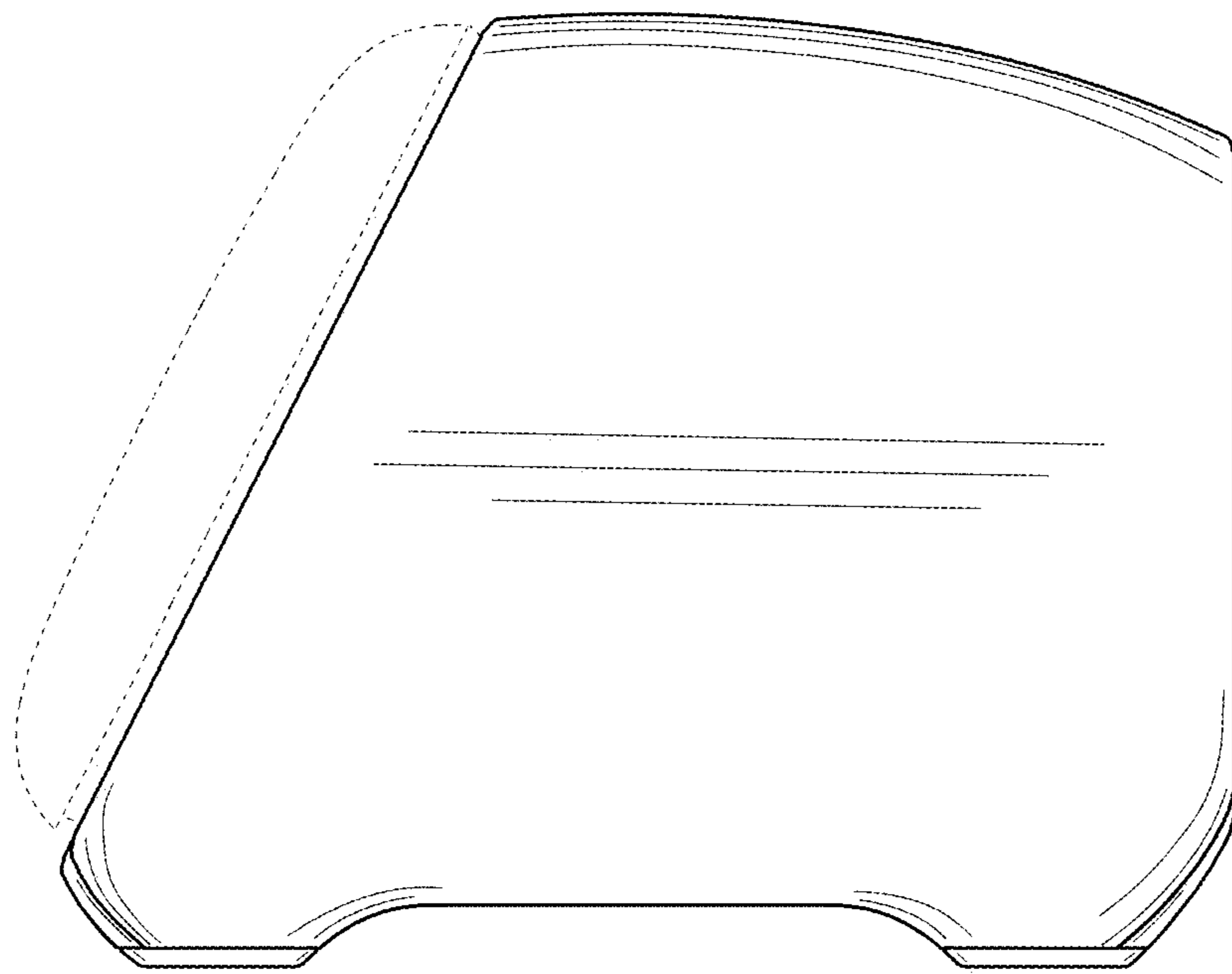


FIG. 6

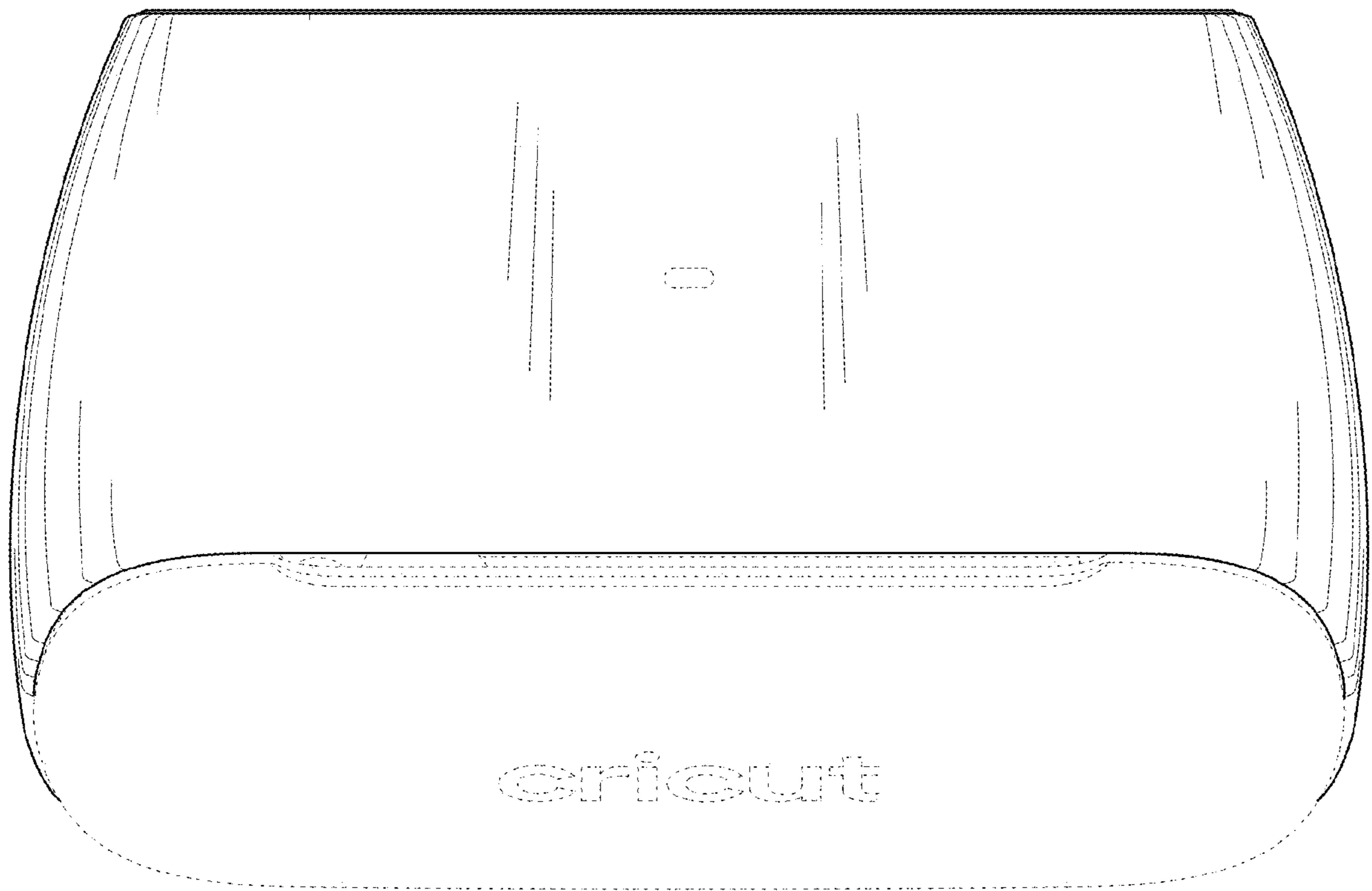


FIG. 7

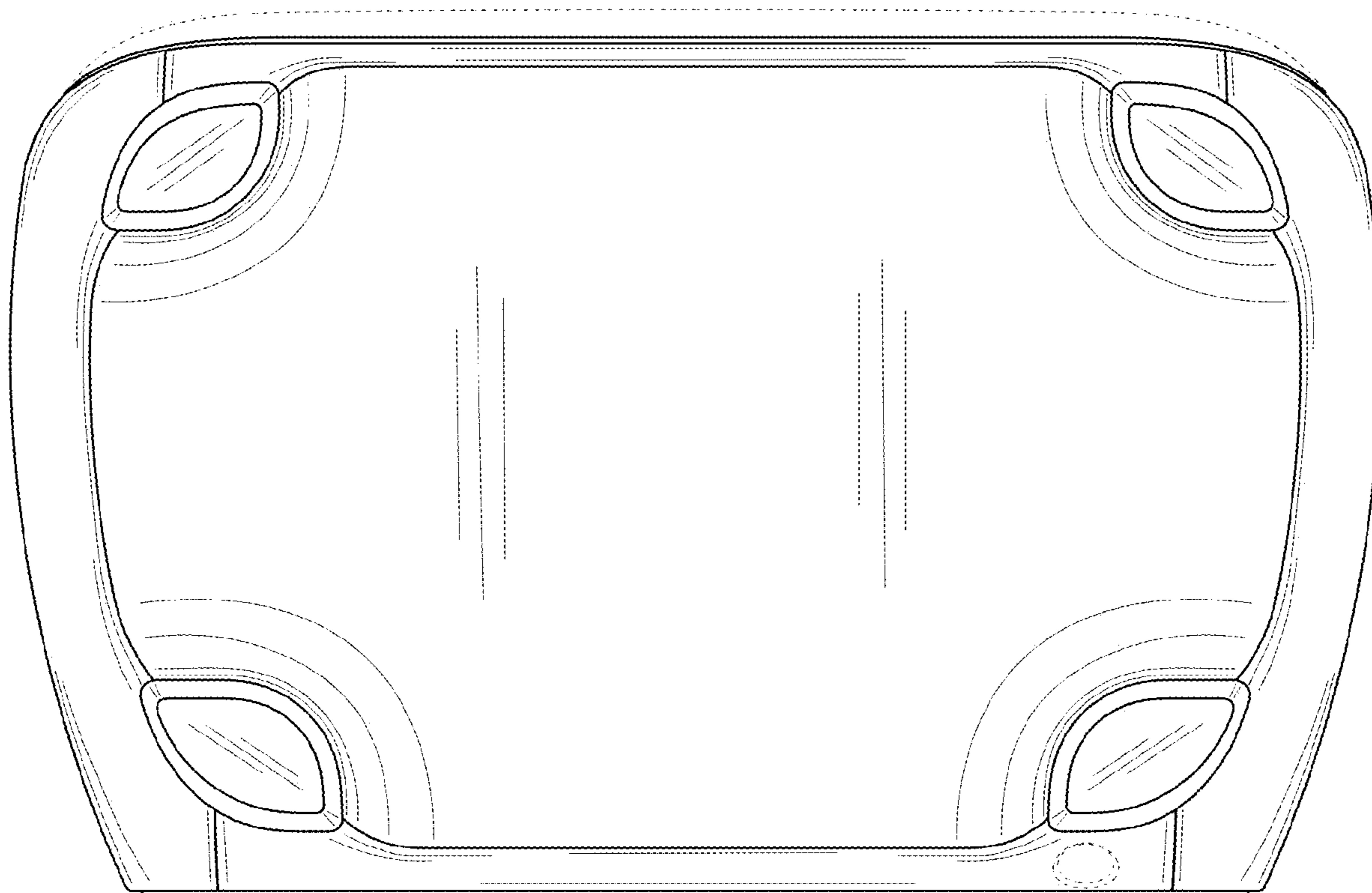


FIG. 8

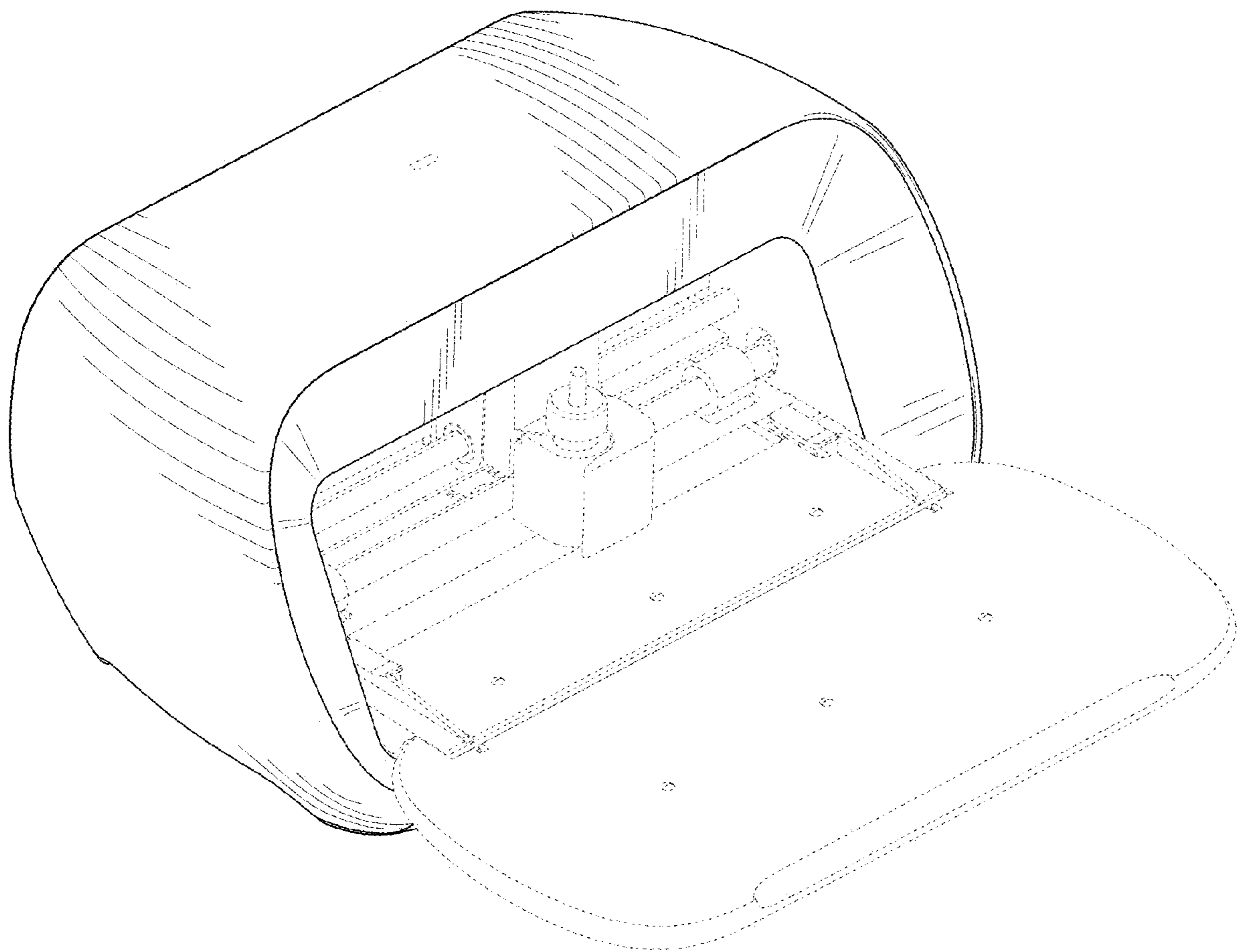


FIG. 9

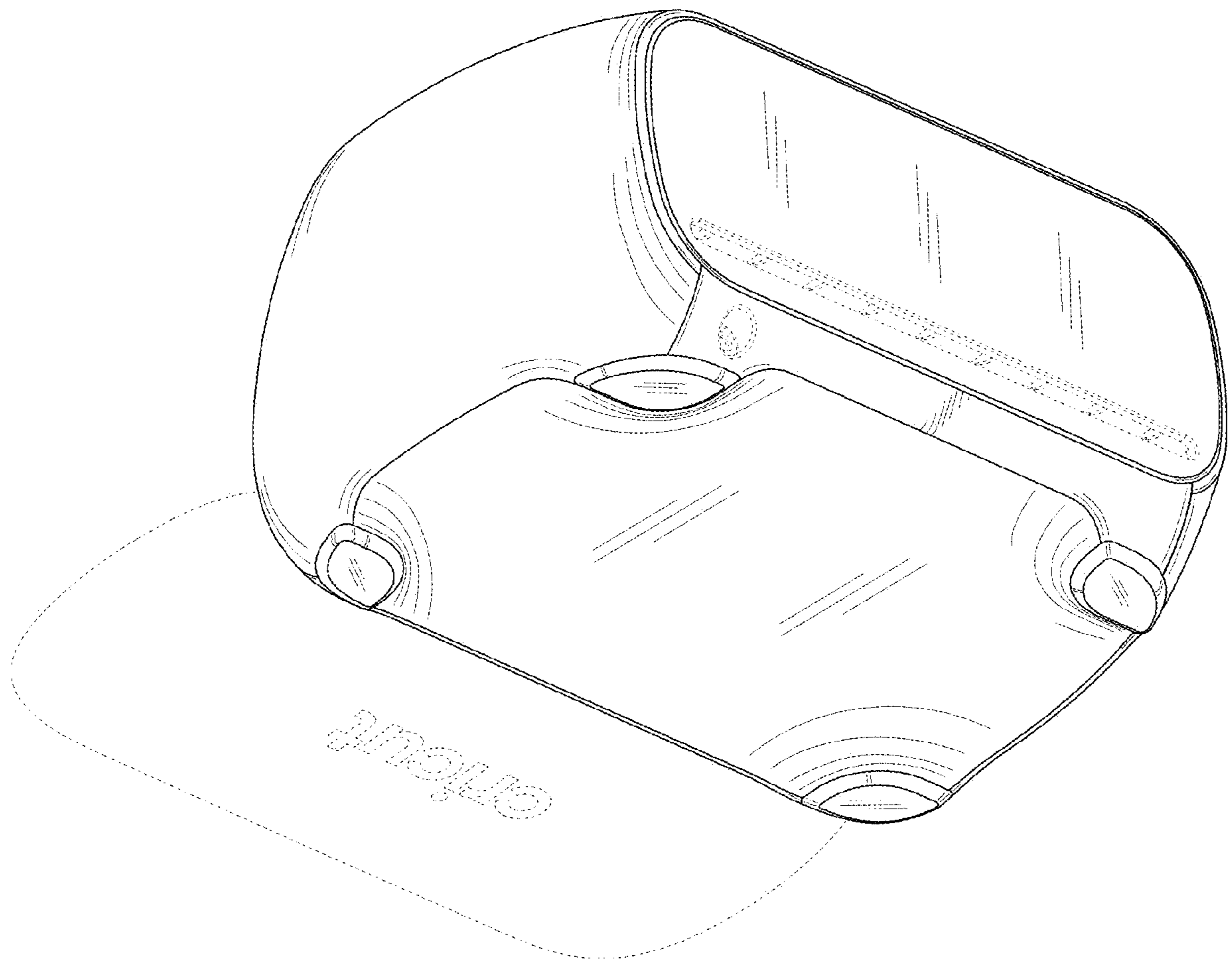


FIG. 10

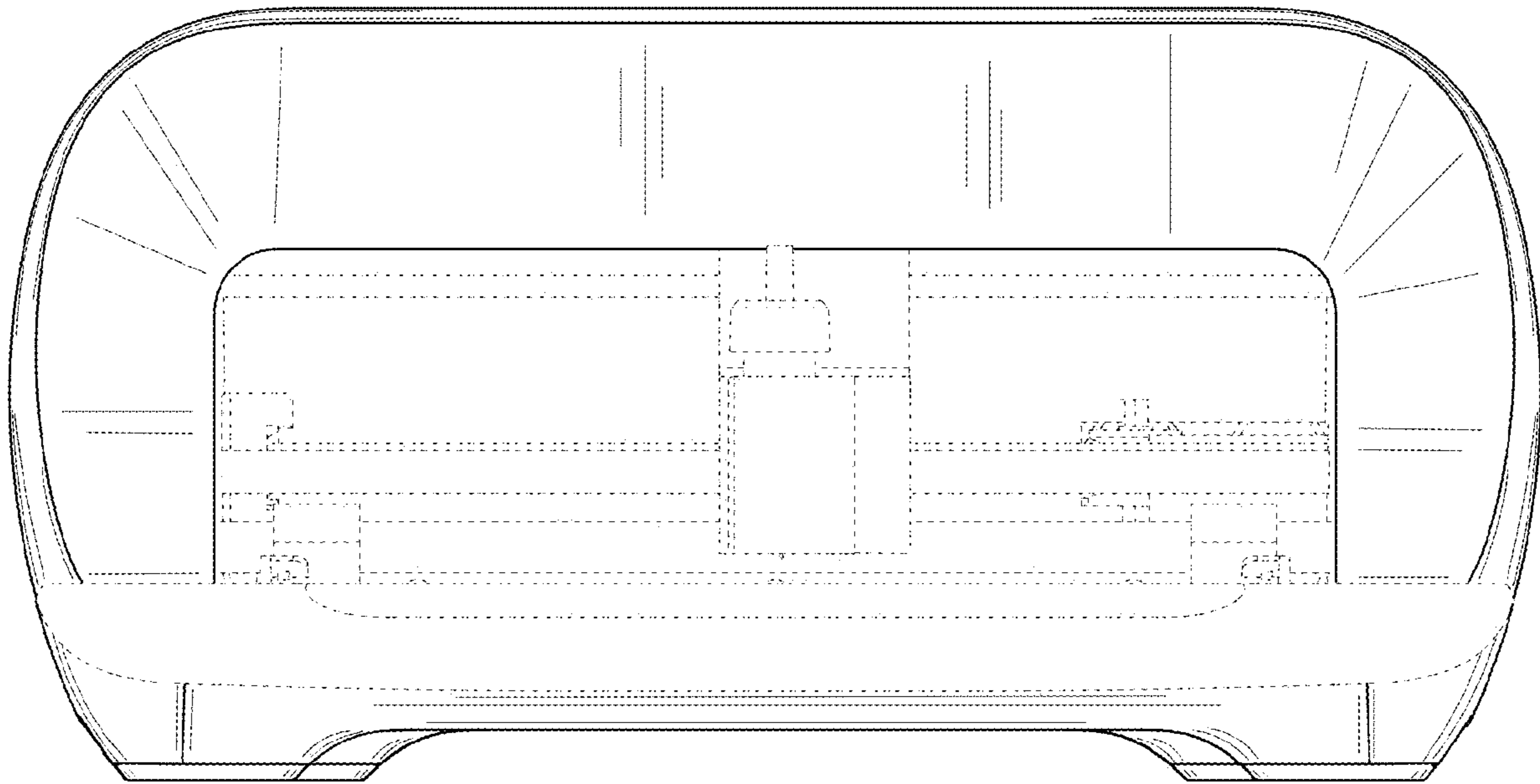


FIG. 11

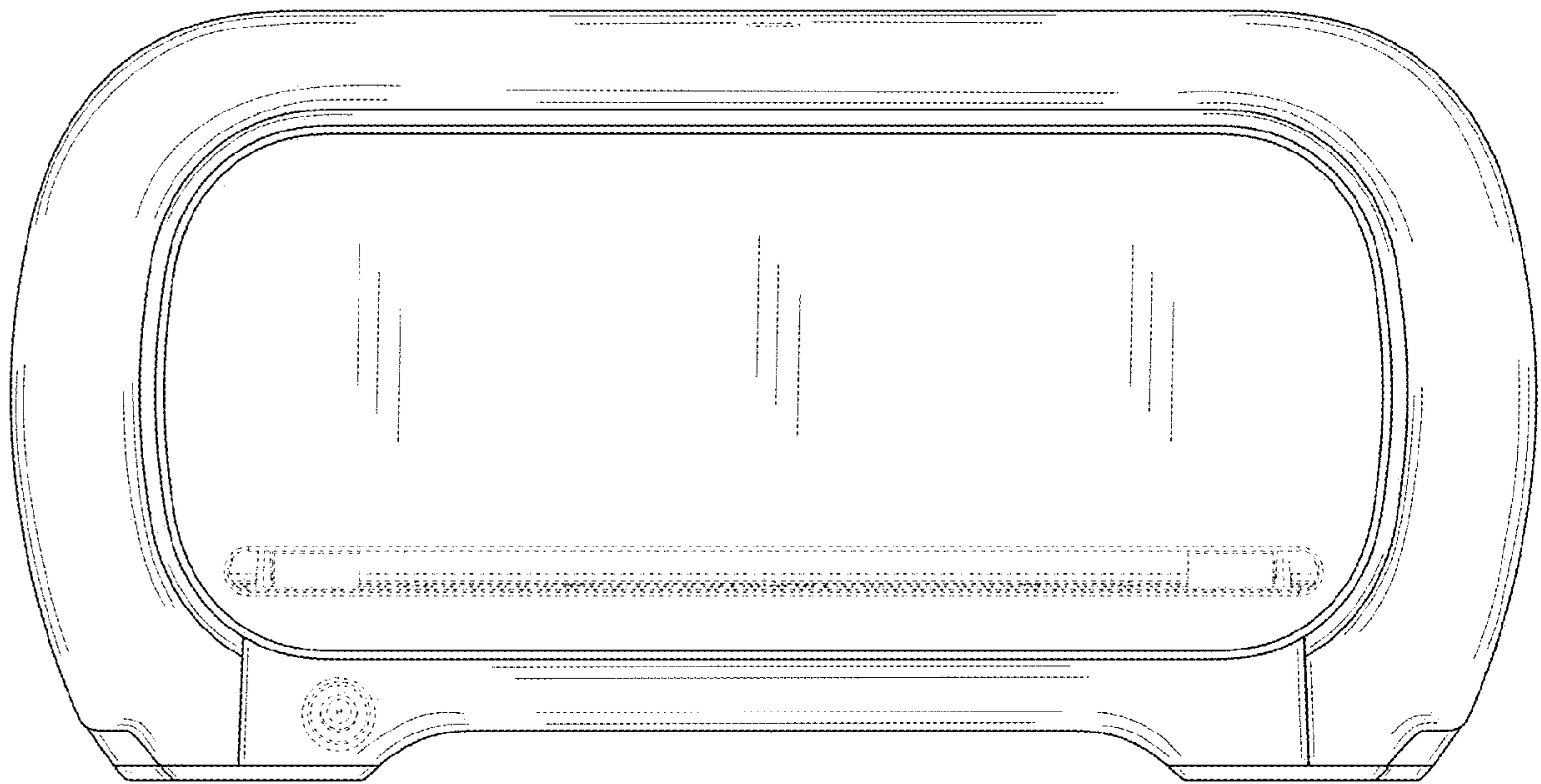


FIG. 12

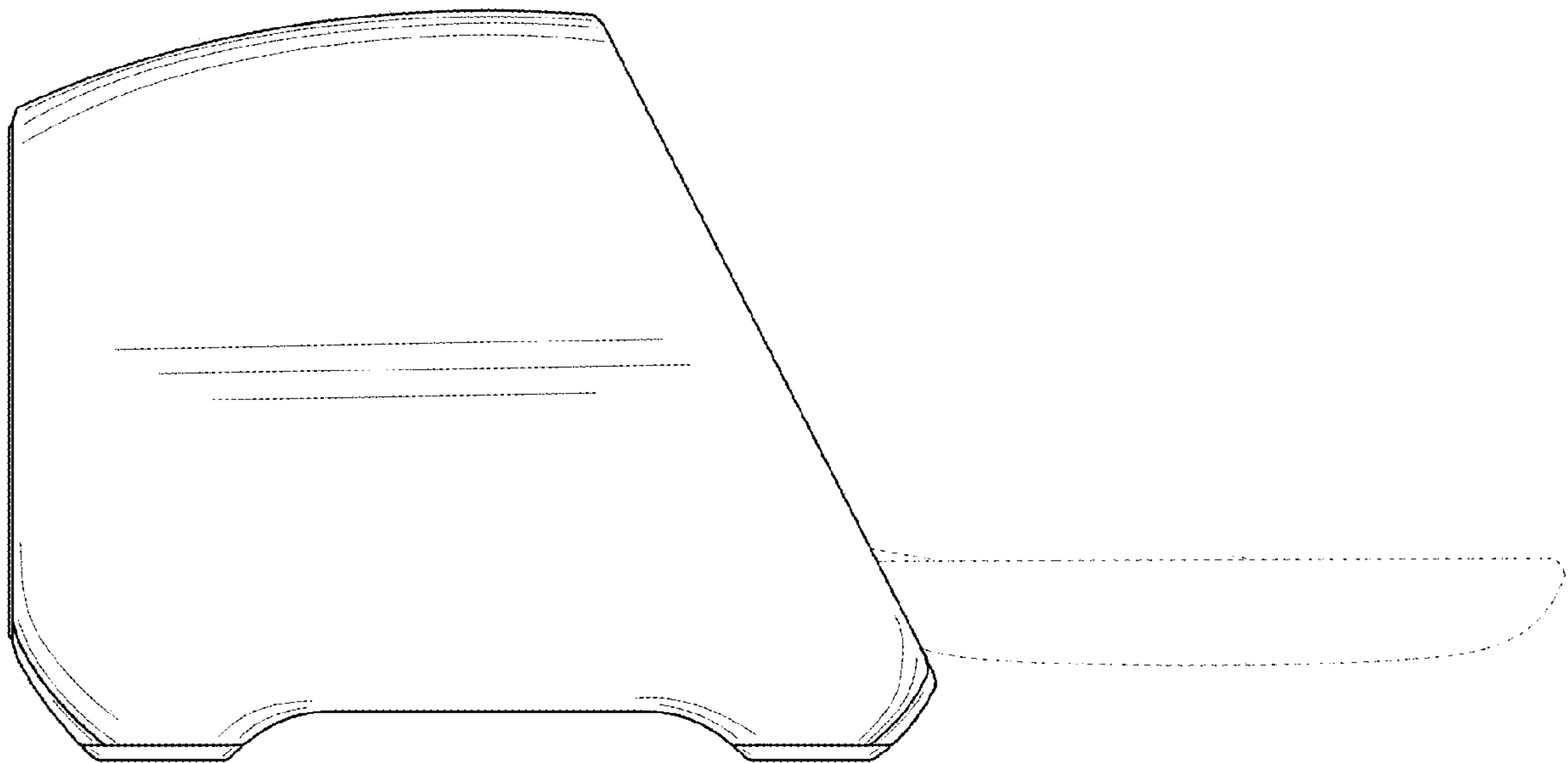


FIG. 13

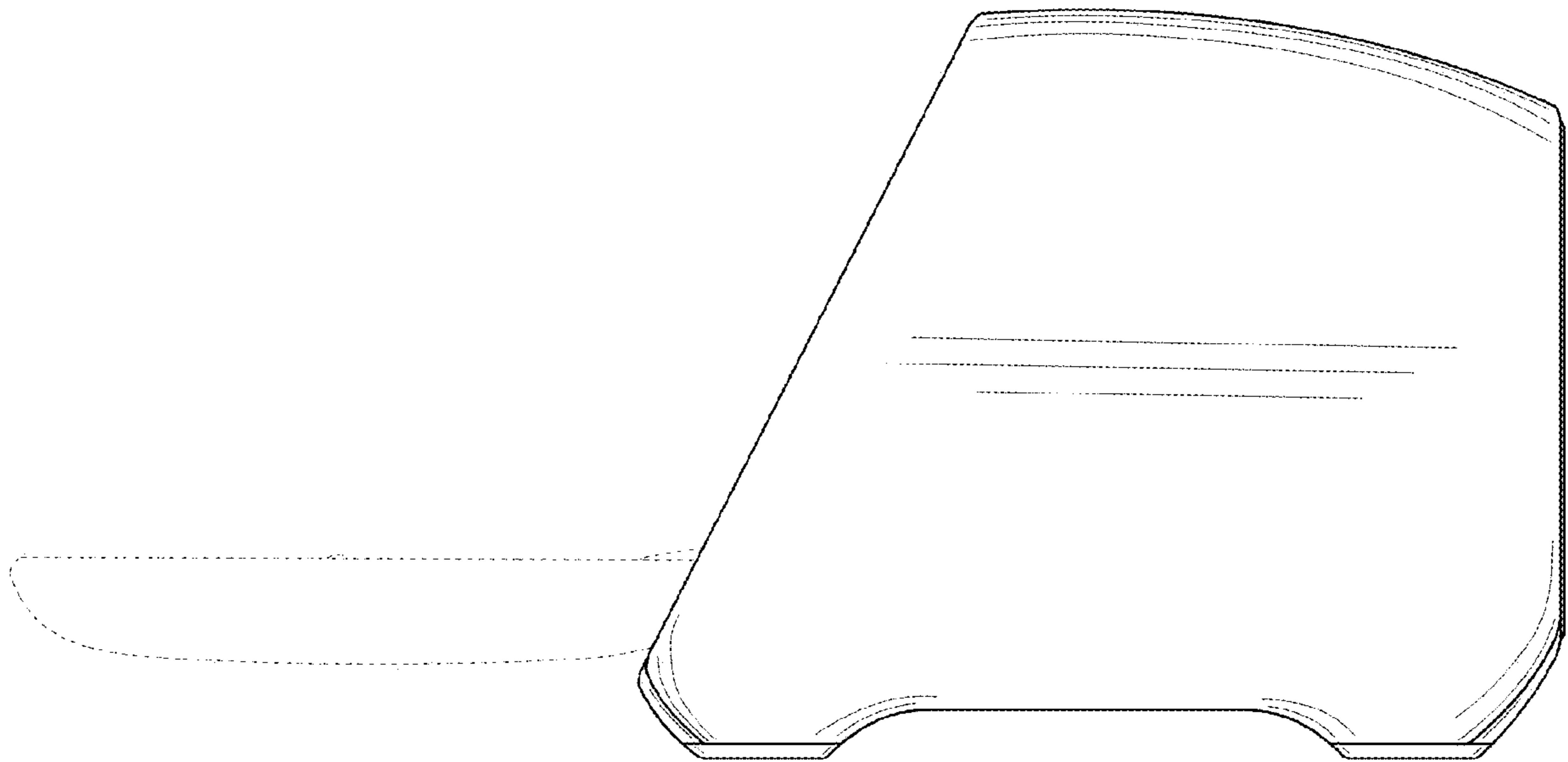


FIG. 14

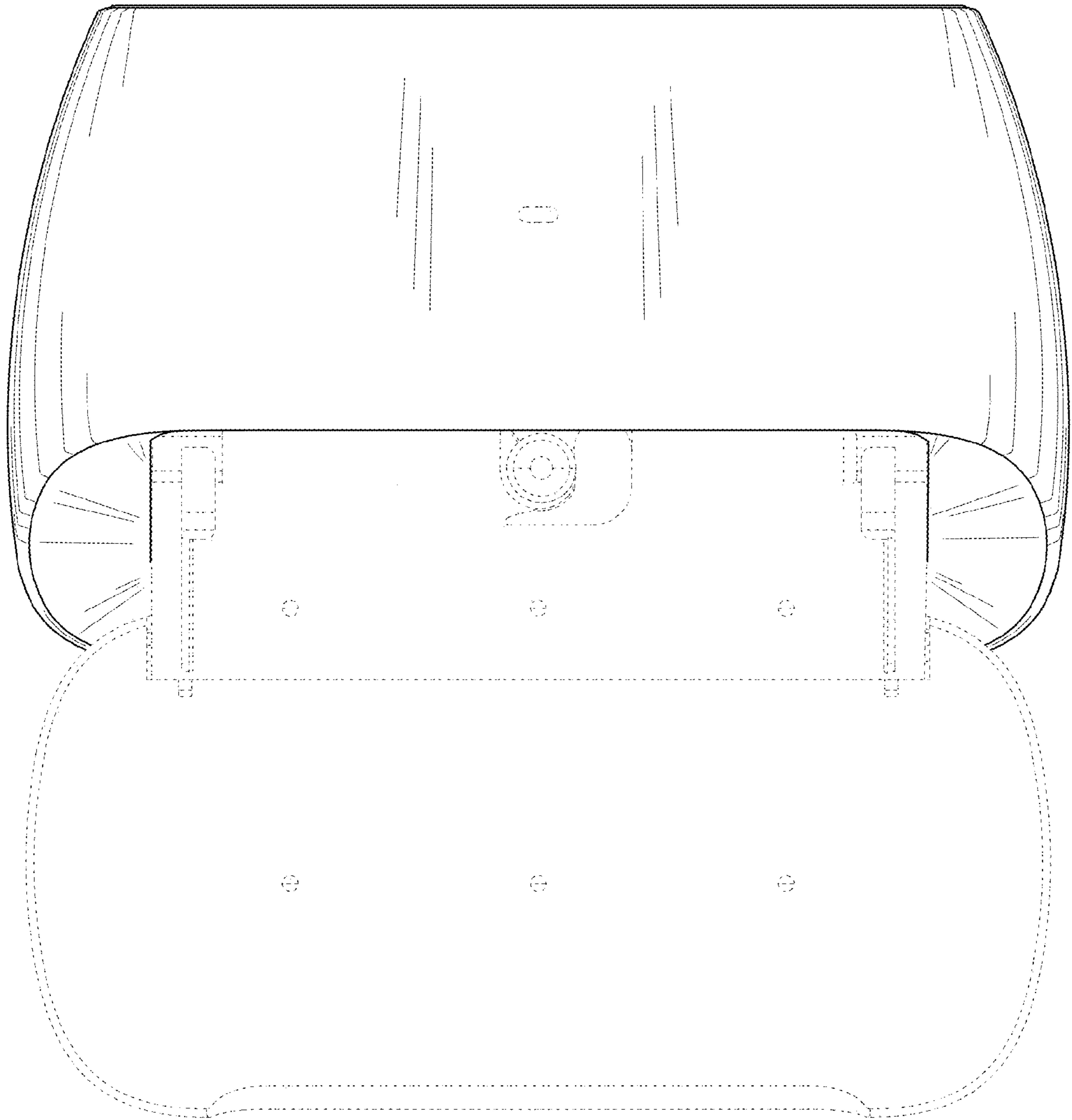


FIG. 15

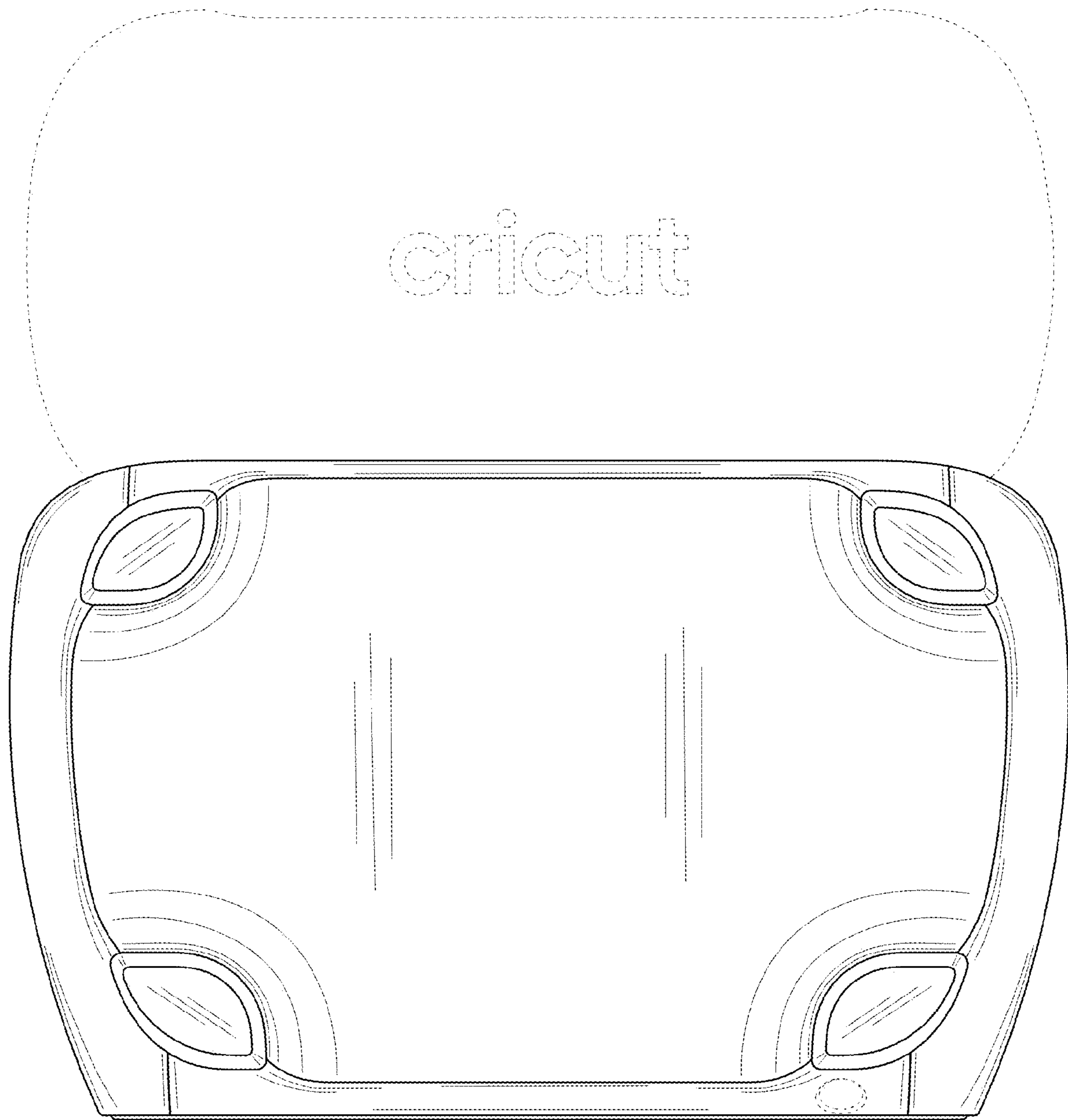


FIG. 16