



US00D987712S

(12) **United States Design Patent** (10) **Patent No.:** **US D987,712 S**  
**Hou** (45) **Date of Patent:** **\*\* May 30, 2023**

(54) **SAFETY GLASSES**

(71) Applicant: **Wei Ting Hou**, Tainan (TW)

(72) Inventor: **Wei Ting Hou**, Tainan (TW)

(\*\*) Term: **15 Years**

(21) Appl. No.: **29/764,652**

(22) Filed: **Dec. 31, 2020**

(51) **LOC (14) Cl.** ..... **16-06**

(52) **U.S. Cl.**

USPC ..... **D16/315**

(58) **Field of Classification Search**

USPC ..... D14/372; D16/300–342;

D24/110.1–110.3; D29/101.5–112

CPC ... G02C 1/00; G02C 1/04; G02C 5/12; G02C

5/16; G02C 7/02; G02C 1/02; G02C 1/10

See application file for complete search history.

(56) **References Cited**

**U.S. PATENT DOCUMENTS**

D671,979 S \* 12/2012 Fuchs ..... D16/315

D835,178 S \* 12/2018 Miera ..... D16/329

D857,787 S \* 8/2019 Miera ..... D16/326

D903,749 S \* 12/2020 Li ..... D16/314

2006/0238700 A1 \* 10/2006 Del Vecchio ..... G02C 5/00

351/103

2011/0279771 A1 \* 11/2011 Chen ..... G02C 1/04

351/140

**FOREIGN PATENT DOCUMENTS**

CN 307370556 \* 5/2022

EM 008722235-0002 \* 7/2022

WO WO-D206916-001 \* 8/2020

**OTHER PUBLICATIONS**

Grainger Edger Eyewear Safety Glasses, earliest pictured Mar. 6, 2020, [online],[site visited Oct. 5, 2022]. Available from Internet,

<URL:https://www.grainger.com/product/EDGE-EYEWEAR-Safety-Glasses-Anti-Fog-Anti-38NH49> (Year: 2020).\*

Uvex Suxceed Safety Glasses, earliest pictured 22, [online],[site visited Oct. 5, 2022]. Available from Internet, <URL:https://www.uvex-safety.com/en/products/safety-glasses/8085/uvex-suxceed-safety-glasses/> (Year: 2022).\*

Honeywell Wrap Around Safety Glasses, earliest pictured Oct. 19, 2017, [online],[site visited Oct. 5, 2022]. Available from Internet, <URL: https://www.newport.com/f/semi-rimless-laser-safety-glasses> (Year: 2017).\*

Google Search, [online],[site visited Oct. 5, 22]. Available from Internet, <URL:https://www.google.com/search?q=rिमless+safety+glasses&rlz=1C1GCEA\_enUS1001US1001&source=lnms&tbm=isch&sa=X&ved=2ahUKewiQgO%E2%80%A6> (Year: 2022).\*

\* cited by examiner

*Primary Examiner* — Sanjeev Paul

*Assistant Examiner* — Breana Copeland

(74) *Attorney, Agent, or Firm* — Alan D. Kamrath; Karin

L. Williams; Mayer & Williams PC

(57) **CLAIM**

The ornamental design for safety glasses, as shown and described.

**DESCRIPTION**

FIG. 1 is a perspective view of a guide for safety glasses showing my new design;

FIG. 2 is a front elevational view thereof;

FIG. 3 is a rear elevational view thereof;

FIG. 4 is a right side elevational view thereof;

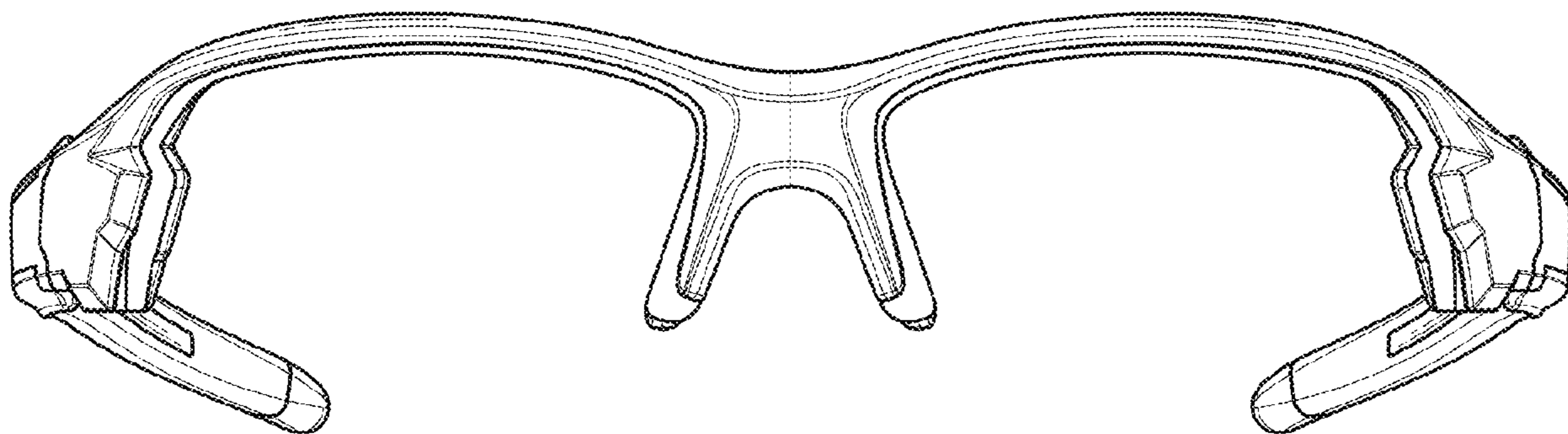
FIG. 5 is a left side elevational view thereof;

FIG. 6 is a top plan view thereof; and,

FIG. 7 is a bottom plan view thereof.

The broken lines are included for the purpose of illustrating portions of the article and form no part of the claimed design.

**1 Claim, 7 Drawing Sheets**



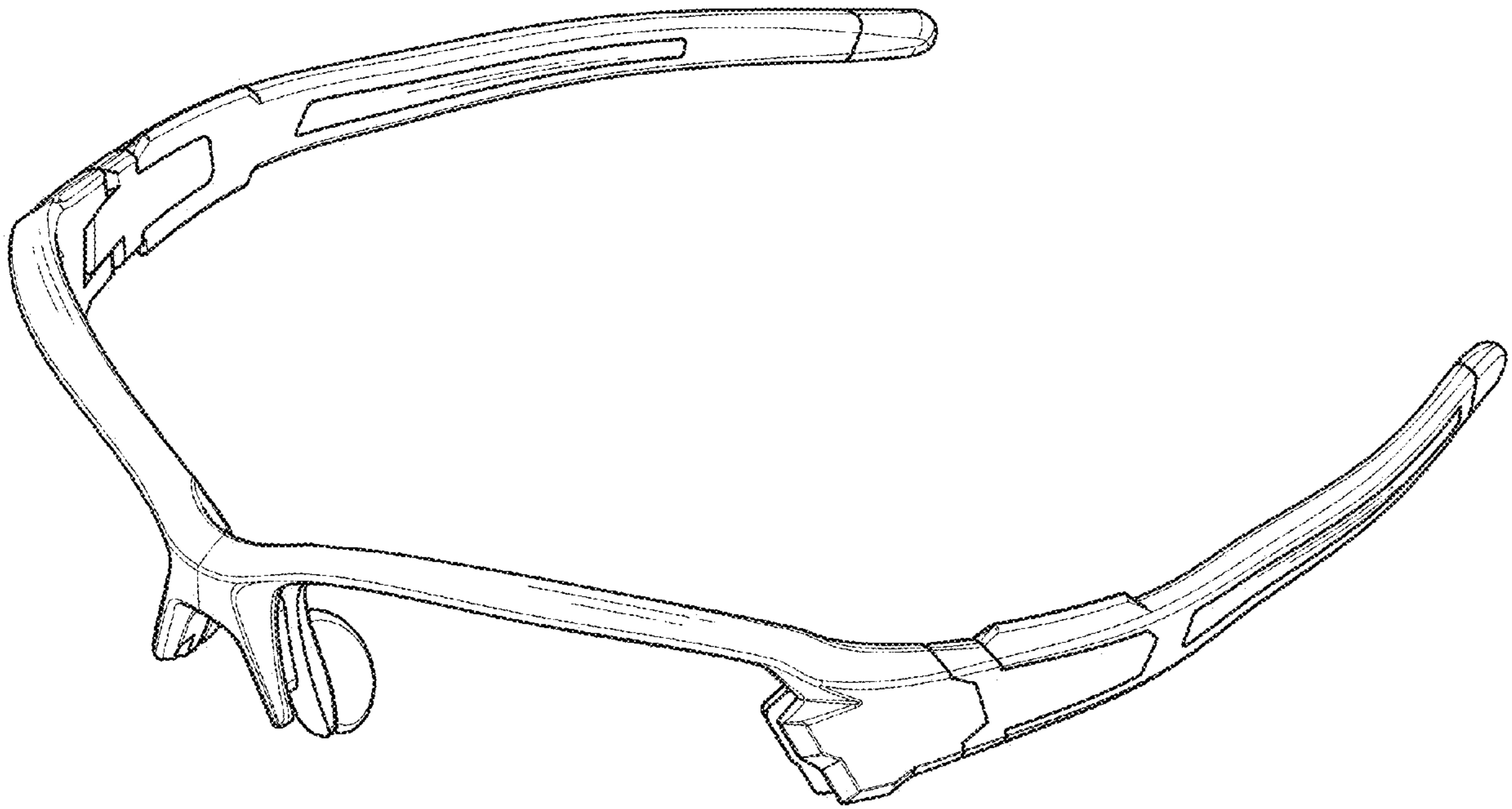
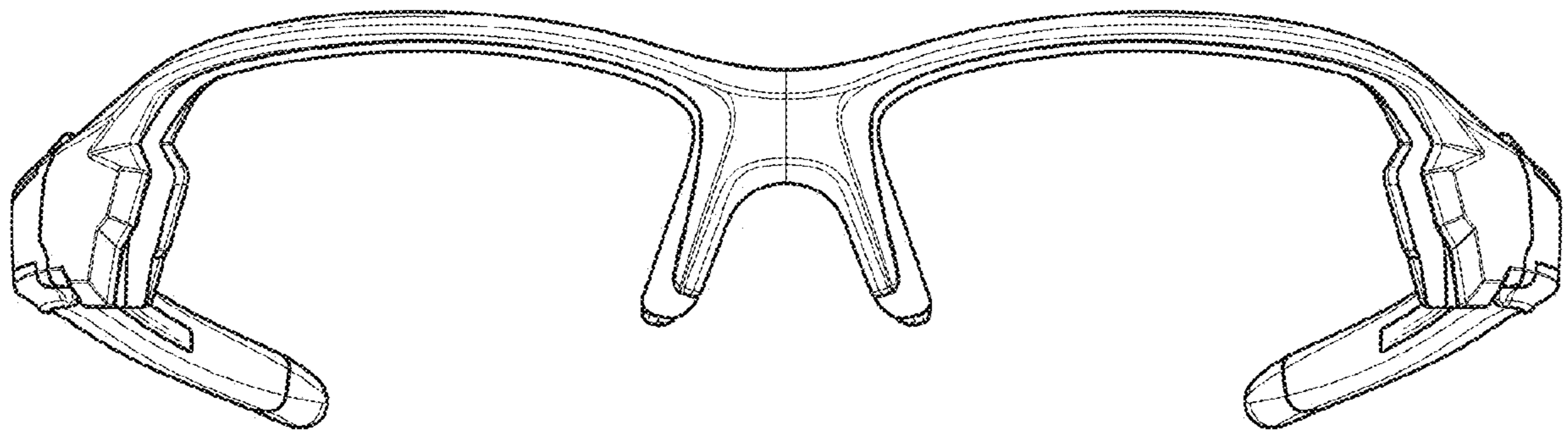
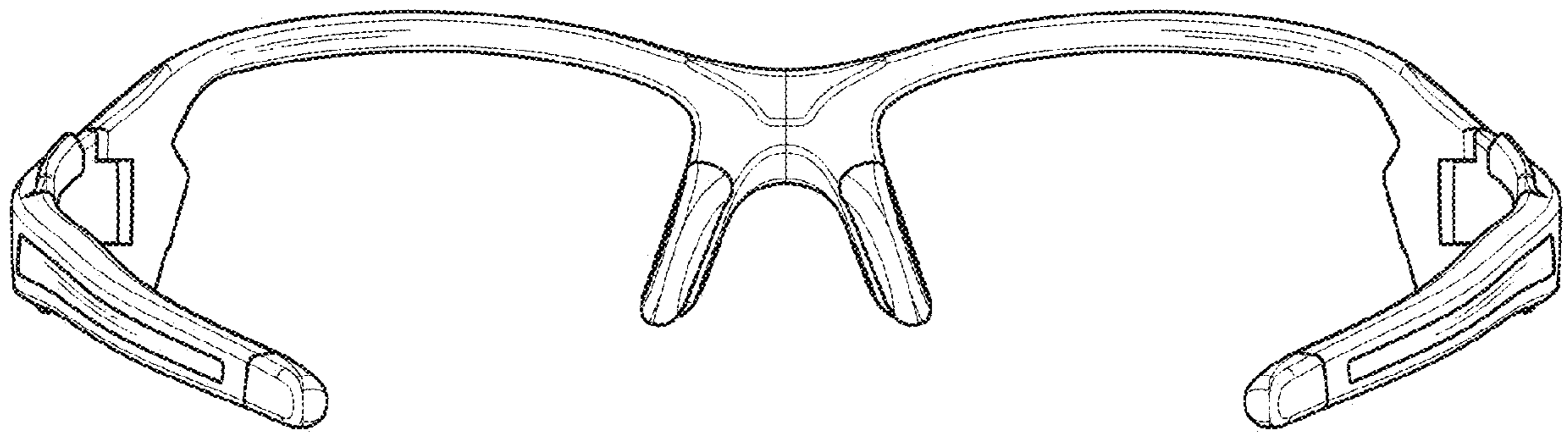


FIG. 1



F I G . 2



F I G . 3

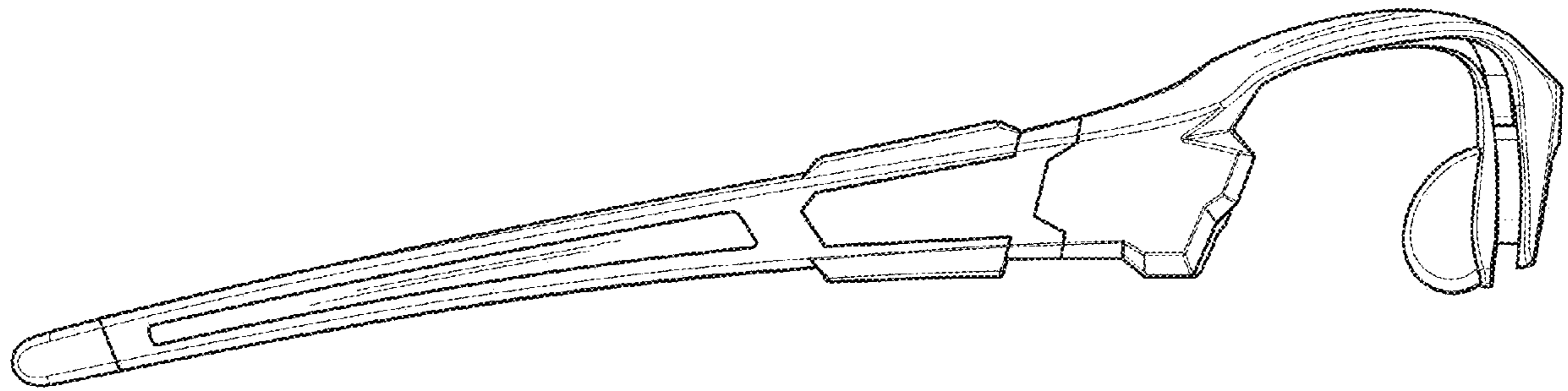
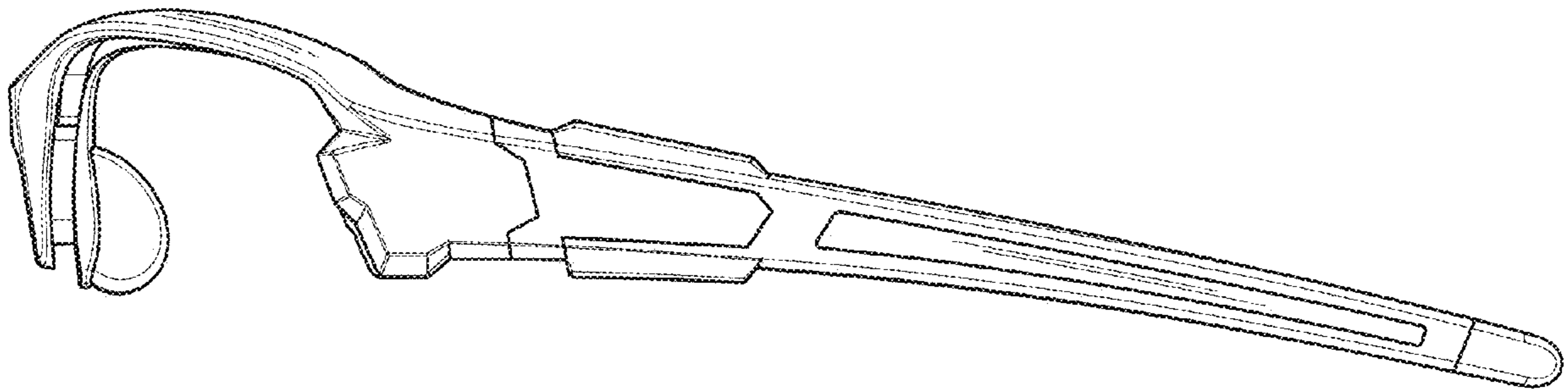
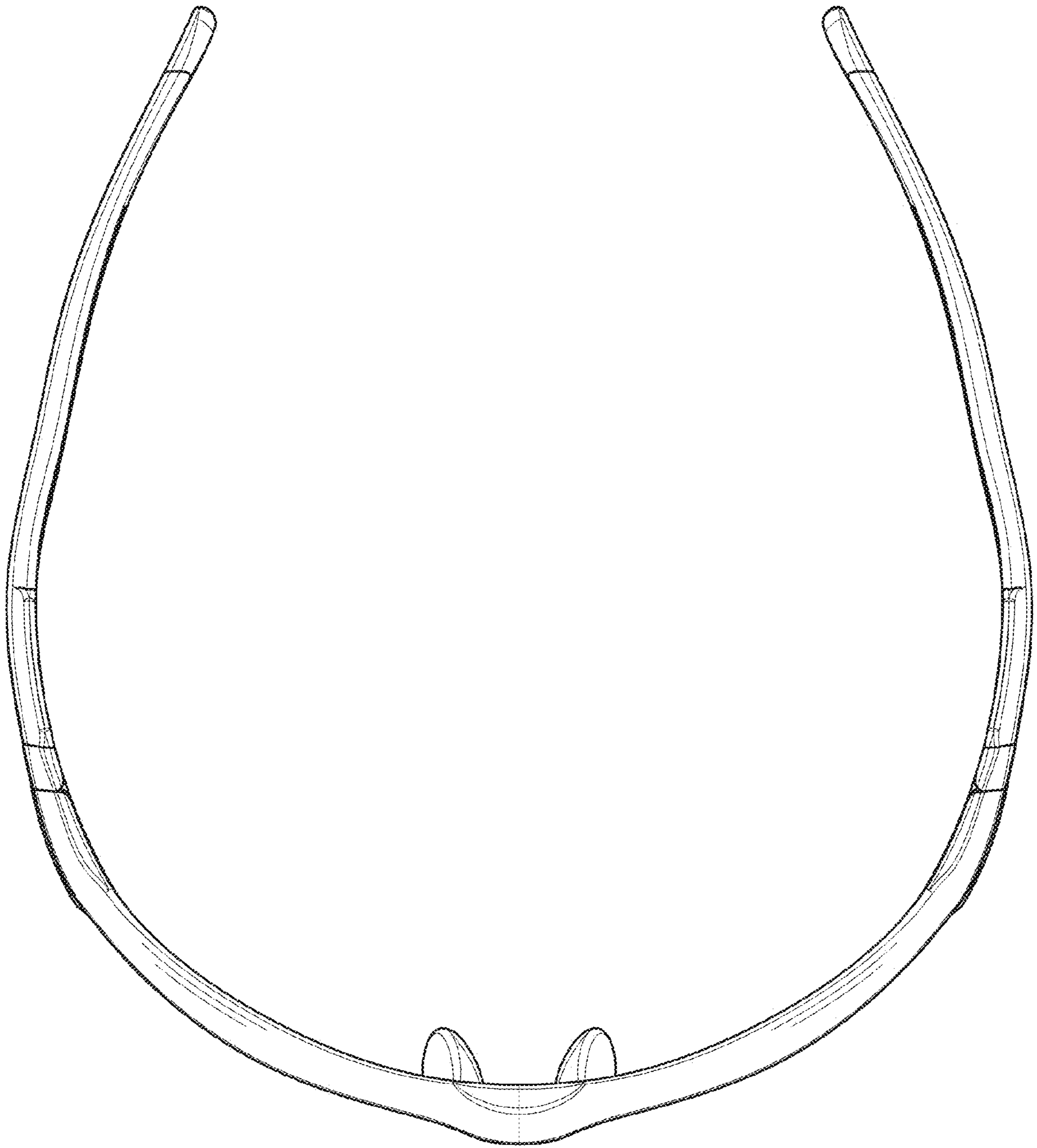


FIG. 4

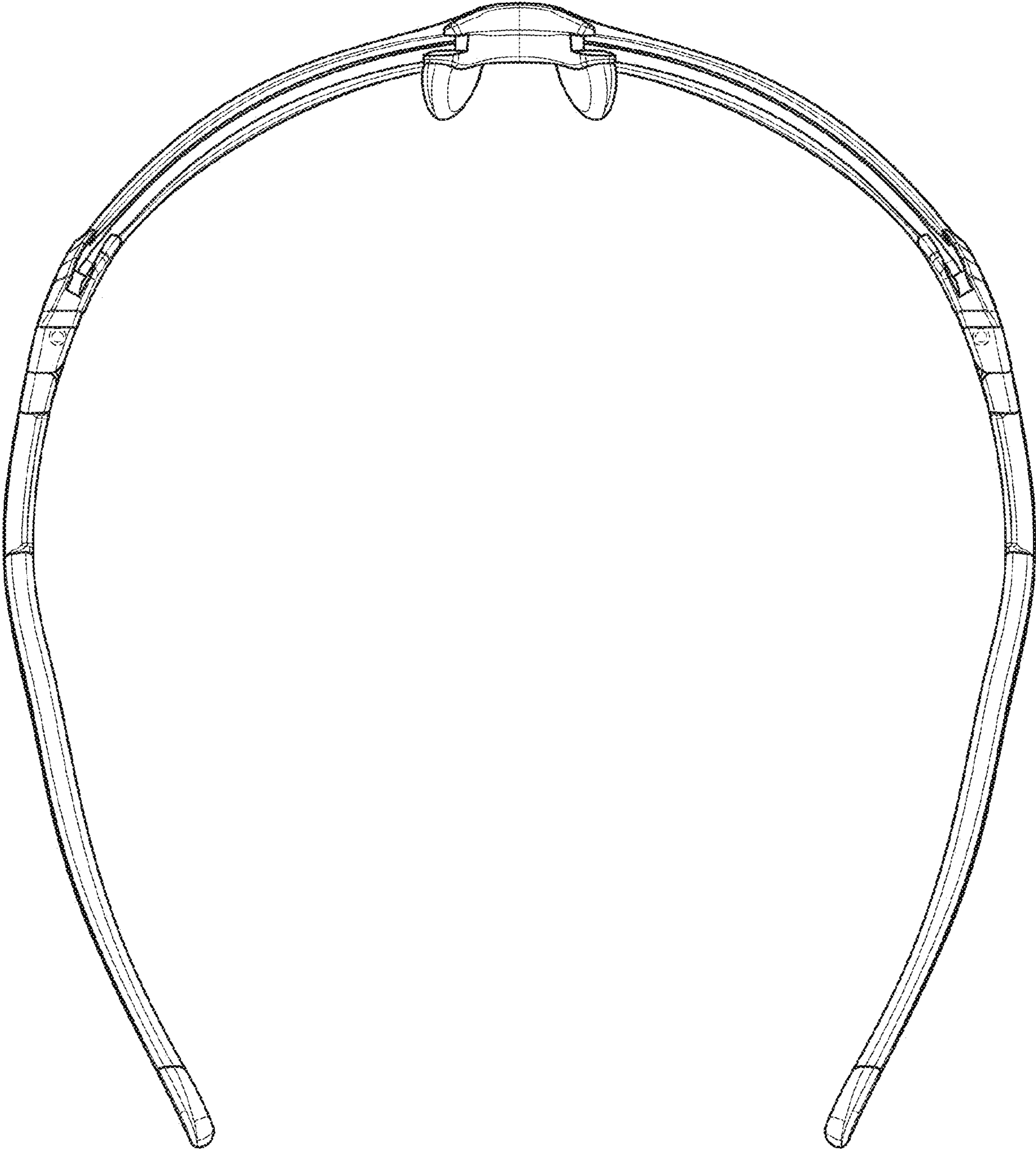




F I G . 5



F I G . 6



F I G . 7