



US00D987709S

(12) **United States Design Patent** (10) **Patent No.:** **US D987,709 S**  
**Drost** (45) **Date of Patent:** **\*\* May 30, 2023**

- (54) **ENCLOSURE FOR CAPTURE DEVICES**
- (71) Applicant: **Musco Corporation**, Oskaloosa, IA (US)
- (72) Inventor: **Matthew D. Drost**, Oskaloosa, IA (US)
- (73) Assignee: **Musco Corporation**, Oskaloosa, IA (US)
- (\*\*) Term: **15 Years**
- (21) Appl. No.: **29/754,878**
- (22) Filed: **Oct. 15, 2020**

- D509,527 S \* 9/2005 Murray ..... D16/244
- D518,080 S 3/2006 Uehara
- D532,436 S \* 11/2006 Kruse ..... D16/244
- D536,357 S 2/2007 Koby
- D552,148 S 10/2007 Yamakawa
- D701,893 S \* 4/2014 Bart ..... D16/214
- D712,955 S \* 9/2014 Hrbacek ..... D16/237
- 8,885,016 B2 \* 11/2014 Sasagawa ..... G03B 37/04  
348/E5.026
- 9,071,767 B2 6/2015 Sasagawa
- D747,383 S \* 1/2016 Li ..... D16/203
- D781,361 S \* 3/2017 Dimitriadis ..... D16/203
- D798,361 S 9/2017 Kim
- D798,935 S \* 10/2017 Dimitriadis ..... D16/203
- D816,141 S \* 4/2018 Siminoff ..... D16/203
- 9,942,639 B2 4/2018 Wright
- D834,631 S \* 11/2018 Park ..... D16/203
- D841,715 S 2/2019 Thompson

(Continued)

**Related U.S. Application Data**

- (62) Division of application No. 29/672,584, filed on Dec. 6, 2018, now Pat. No. Des. 905,150.
- (51) **LOC (14) Cl.** ..... **16-01**
- (52) **U.S. Cl.**  
USPC ..... **D16/203**
- (58) **Field of Classification Search**  
USPC ..... D8/349, 363, 373; D16/219, 235,  
D16/237-245, 200-206; D26/67, 93,  
D26/142, 150  
CPC ..... F16M 11/14; F16M 11/16; F16M 11/32;  
F16M 11/38; G03B 17/561; G03B  
17/566; G02B 7/00-002  
See application file for complete search history.

*Primary Examiner* — Richard Kearney  
*Assistant Examiner* — Benjamin M Weeks  
 (74) *Attorney, Agent, or Firm* — McKee, Voorhees & Sease, PLC

(57) **CLAIM**

The ornamental design for an enclosure for capture devices, as shown and described.

**DESCRIPTION**

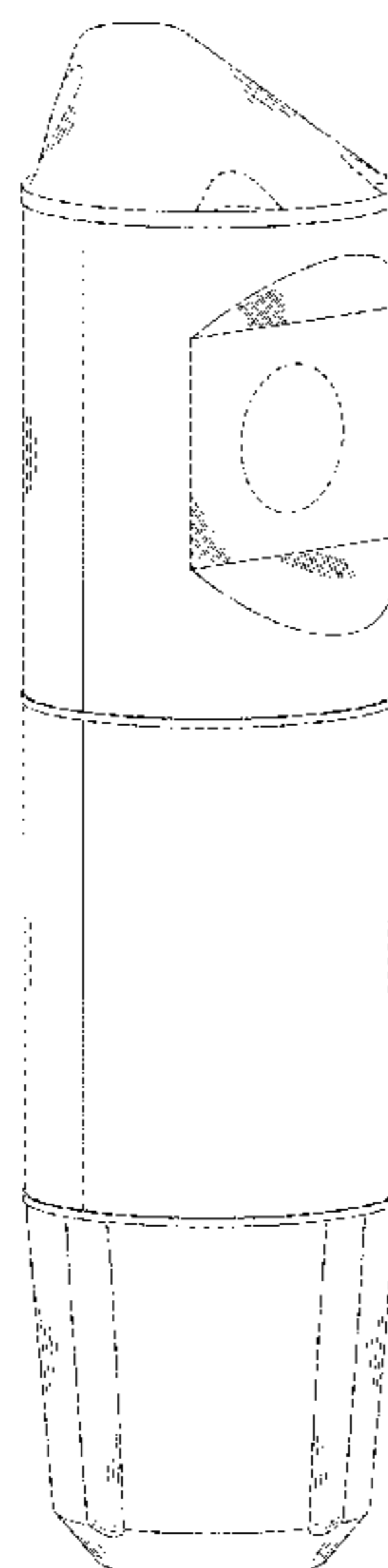
FIG. 1 is a perspective view of an enclosure for capture devices showing my new design;  
 FIG. 2 is a front elevation view thereof;  
 FIG. 3 is a back elevation view thereof;  
 FIG. 4 is a right side elevation view thereof;  
 FIG. 5 is a left side elevation view thereof;  
 FIG. 6 is a top plan view thereof; and,  
 FIG. 7 is a bottom plan view thereof.  
 The broken lines shown in the drawings illustrating unclaimed portions of the enclosure for capture devices form no part of the claimed design.

**1 Claim, 7 Drawing Sheets**

(56) **References Cited**

**U.S. PATENT DOCUMENTS**

- 4,320,949 A \* 3/1982 Pagano ..... G08B 13/19632  
219/520
- D335,889 S \* 5/1993 Gibran ..... 15/23
- D380,676 S 7/1997 Holland
- D403,340 S \* 12/1998 Arbuckle ..... D16/203
- D425,534 S 5/2000 Mutoh
- D501,494 S \* 2/2005 Ogura ..... D16/202



(56)

**References Cited**

U.S. PATENT DOCUMENTS

D842,358 S *	3/2019	Puric .....	D16/203
D849,112 S	5/2019	Katori	
D850,509 S	6/2019	Tsai	
D864,277 S	10/2019	Siminoff	
D870,791 S	12/2019	Hasani	
D875,736 S	2/2020	Ramones	
D878,380 S	3/2020	Siminoff	
D881,770 S	4/2020	Bachani	
D882,669 S	4/2020	Thompson	
D902,283 S *	11/2020	Kao .....	D16/208
11,306,861 B1 *	4/2022	Drost .....	G08B 13/19617
2022/0026782 A1 *	1/2022	Goldburt .....	F16M 11/123

\* cited by examiner

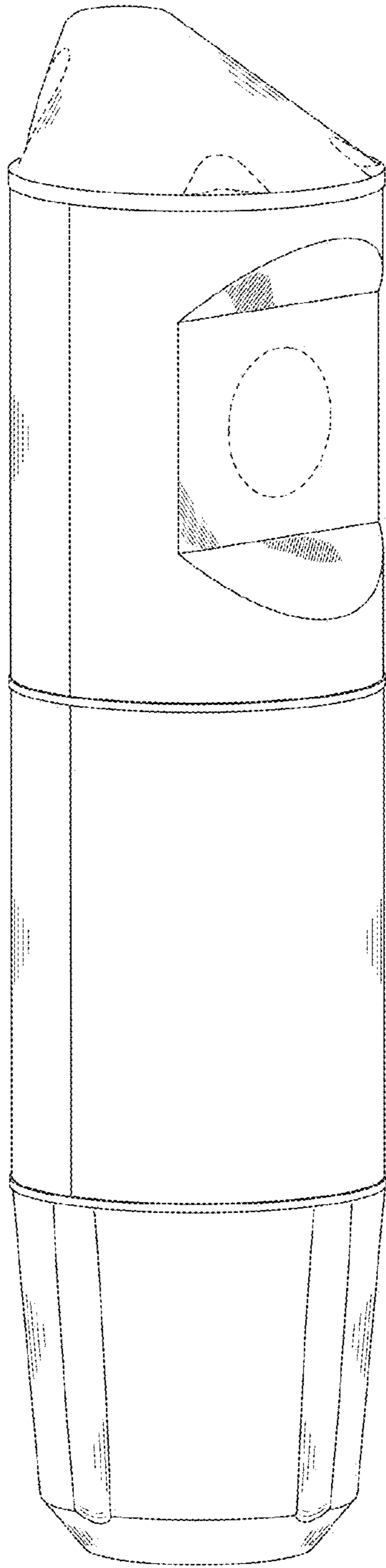


Fig 1

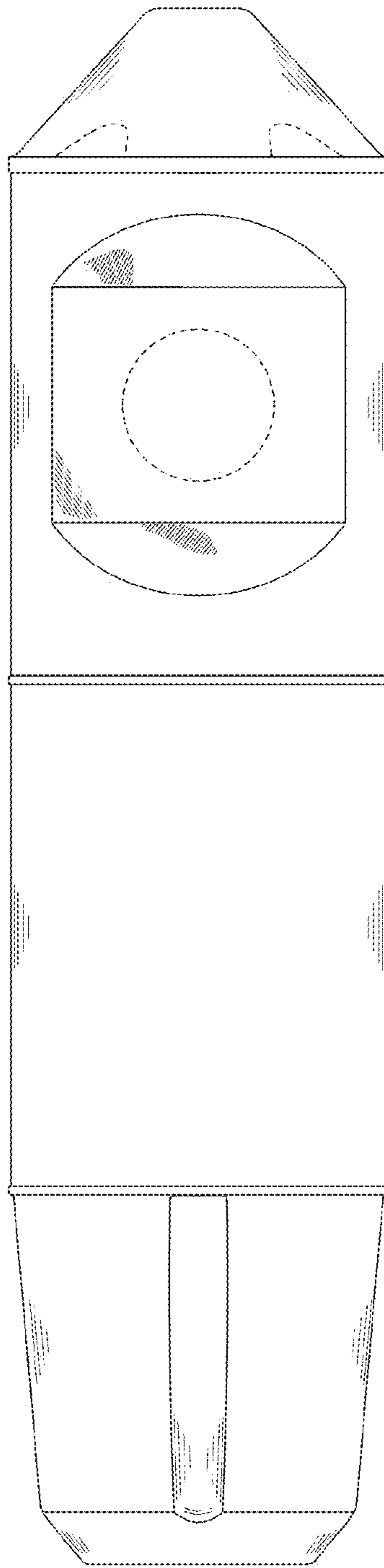


Fig 2

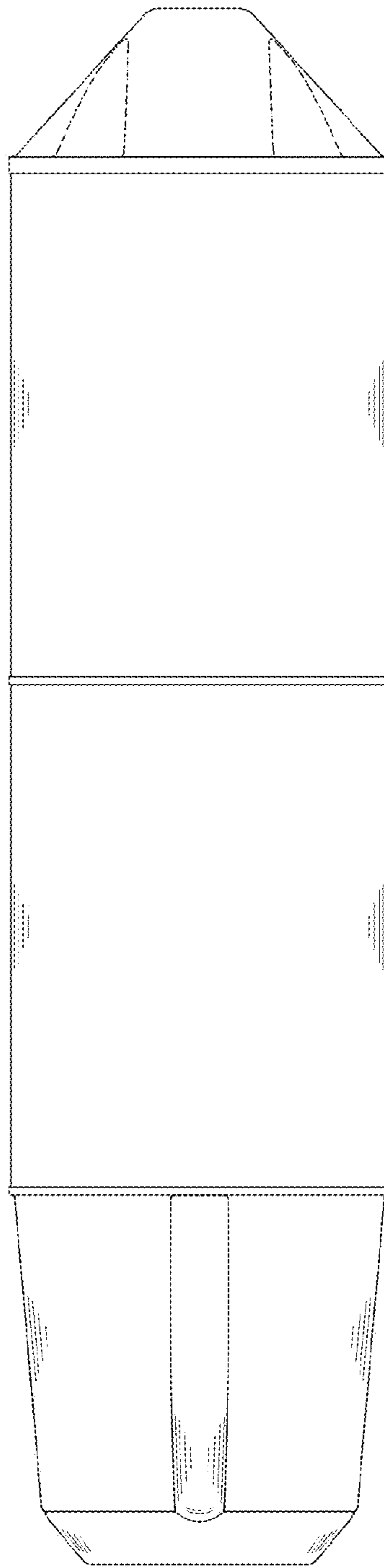


Fig 3

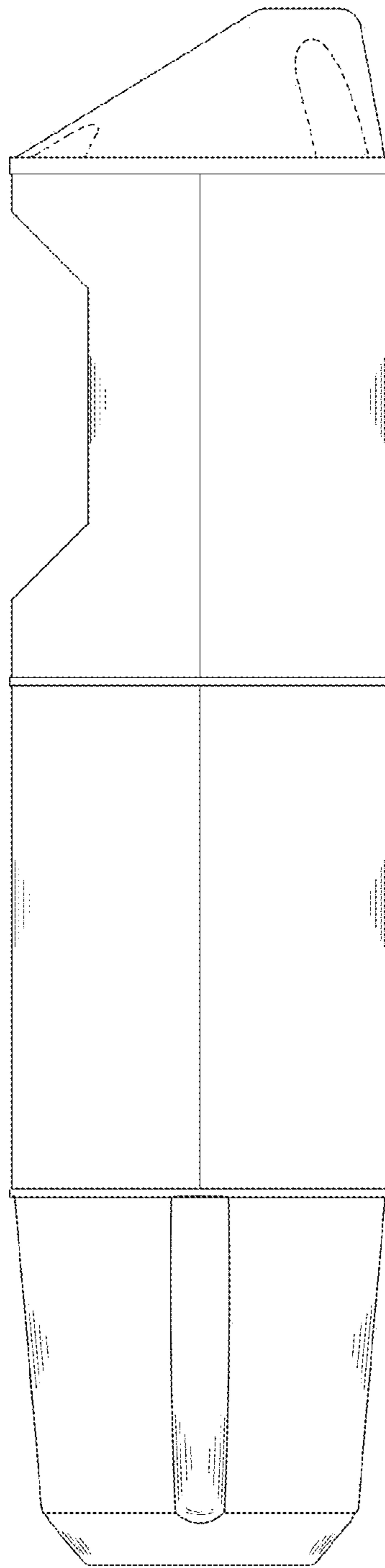


Fig 4

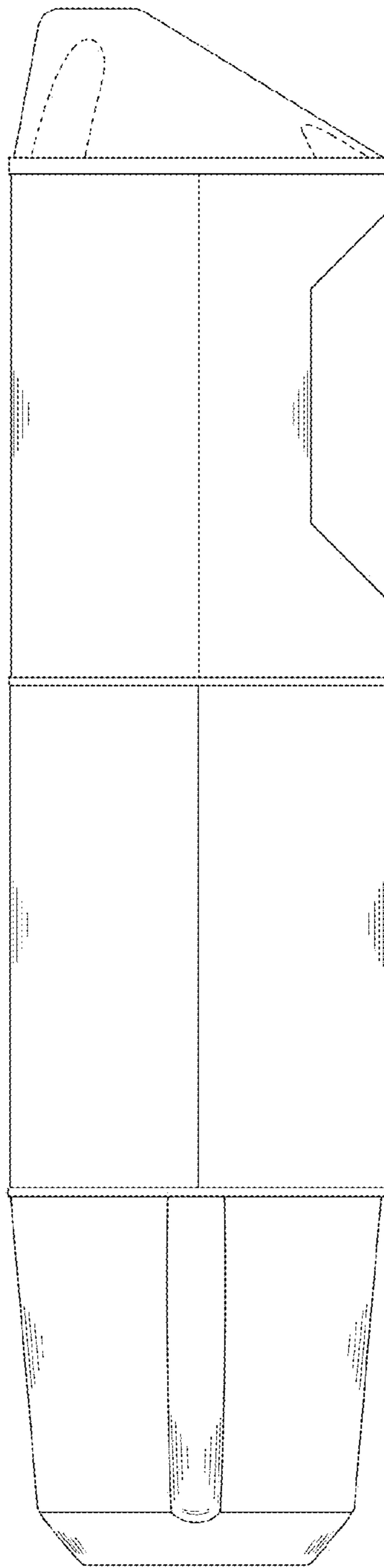


Fig 5

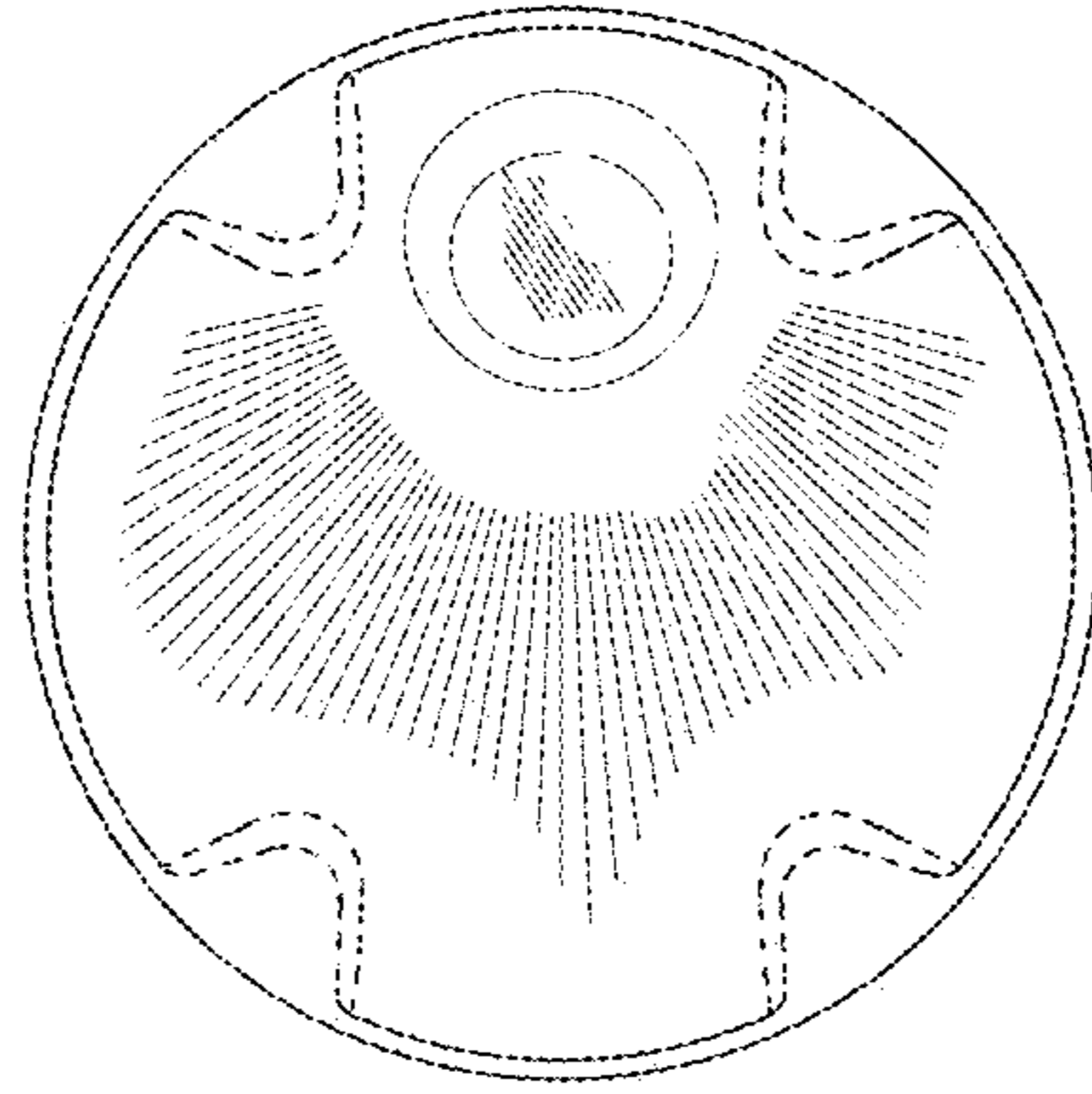


Fig 6



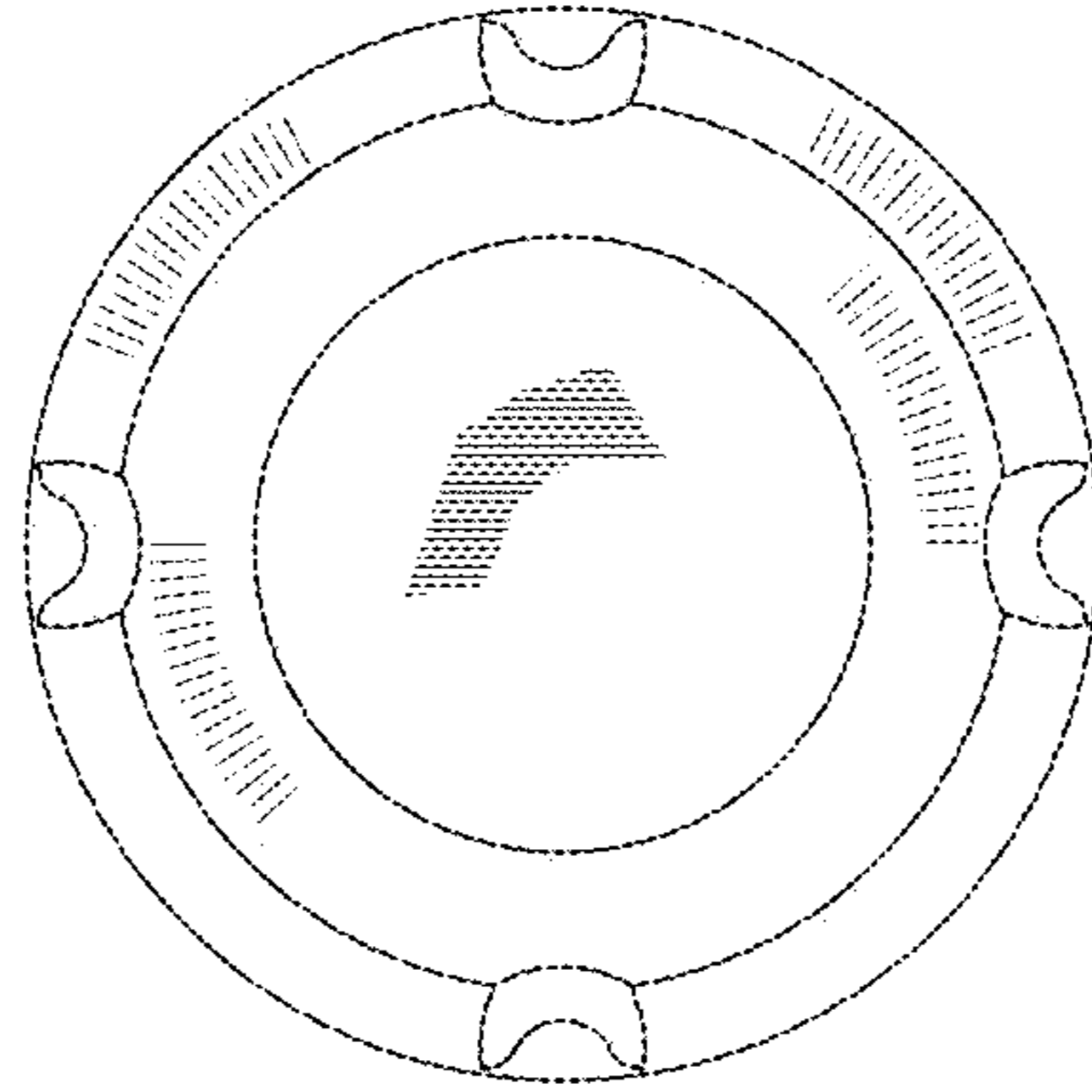


Fig 7