



US00D987707S

(12) **United States Design Patent** (10) **Patent No.:** **US D987,707 S**
Foster (45) **Date of Patent:** **** May 30, 2023**

(54) **WEBCAM MOUNT ASSEMBLY**
(71) Applicant: **Next Episode Inc.**, Nome, AK (US)
(72) Inventor: **Ian Foster**, Nome, AK (US)
(73) Assignee: **NEXT EPISODE INC.**, Nome, AK (US)

D823,925 S * 7/2018 Hatcher D16/242
D859,506 S * 9/2019 Huang D16/237
10,492,593 B2 * 12/2019 Mainini A45F 5/02
D880,350 S * 4/2020 Paik D11/216
10,736,407 B1 * 8/2020 Jin H04M 1/04
D921,095 S * 6/2021 Alberstein D8/395
D936,471 S * 11/2021 Kassin D8/395
D938,814 S * 12/2021 Wickham D8/395

(Continued)

(**) Term: **15 Years**

OTHER PUBLICATIONS

(21) Appl. No.: **29/797,893**

“Cool Backer”, <https://collbacker.com/finally-make-eye-contact-on-video-calls-with-the-view-you-cam/> Dec. 31, 2020.

(Continued)

(22) Filed: **Jul. 2, 2021**

(51) **LOC (14) Cl.** **16-05**

(52) **U.S. Cl.**
USPC **D16/242**; D8/395; D11/215

(58) **Field of Classification Search**
USPC D16/242, 237–241, 243–250;
D11/200–202, 214, 215; D8/394, 395
CPC A45F 5/00; A45F 5/10; H01Q 1/12; H01Q
1/14; H01Q 1/1228; G03B 17/563; G03B
17/566; G03B 17/565; F16M 11/041
See application file for complete search history.

Primary Examiner — Richard Kearney
Assistant Examiner — Benjamin M Weeks
(74) *Attorney, Agent, or Firm* — Dorsey & Whitney LLP

(57) **CLAIM**

The ornamental design for a webcam mount assembly, as shown and described.

DESCRIPTION

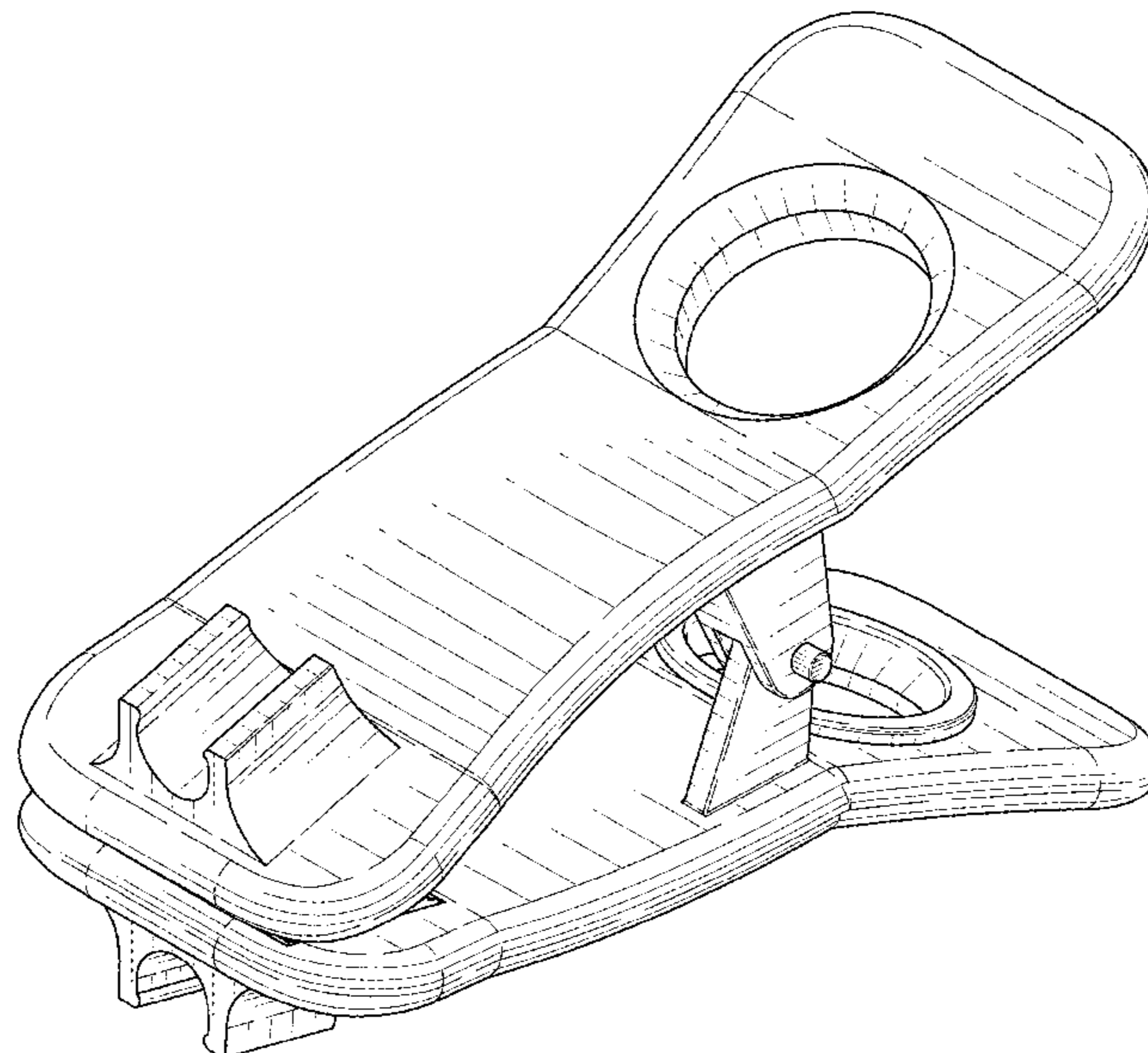
(56) **References Cited**

U.S. PATENT DOCUMENTS

D516,952 S * 3/2006 Kingsford D11/200
D523,330 S * 6/2006 Mattesky D8/395
D552,462 S * 10/2007 Boyd D8/395
D628,615 S * 12/2010 Siegel D16/242
D675,903 S * 2/2013 Rothbaum D8/356
D682,256 S * 5/2013 Murchison D14/223
D702,535 S * 4/2014 Rothbaum D8/356
D710,927 S * 8/2014 Eynav D16/242
D712,731 S * 9/2014 Brown D8/394
D716,138 S * 10/2014 Szymanski D8/395
D730,160 S * 5/2015 Rothbaum D8/356
D737,132 S * 8/2015 Garcia D8/395
D751,377 S * 3/2016 Duffy D8/395
D791,643 S * 7/2017 Elesmore D11/202
D822,474 S * 7/2018 Nguyen D8/394

FIG. 1 is a front perspective view of a webcam mount assembly of my new design.
FIG. 2 is a top view thereof.
FIG. 3 is a bottom view thereof.
FIG. 4 is a left side view thereof.
FIG. 5 is a right side view thereof.
FIG. 6 is a front view thereof.
FIG. 7 is a rear view thereof.
FIG. 8 is a front perspective view thereof mounting to a computer monitor; and,
FIG. 9 is a rear perspective view thereof.
The broken line showing of the computer monitor is included for the purpose of illustrating environmental structure and forms no part of the claimed design.

1 Claim, 8 Drawing Sheets



(56)

References Cited

U.S. PATENT DOCUMENTS

D957,242 S * 7/2022 Dye D8/394
D962,758 S * 9/2022 Wenning D8/395
D963,025 S * 9/2022 Ruan D8/395

OTHER PUBLICATIONS

“Hue HD Portable USB Camera”, https://www.amazon.co.uk/gp/product/B001LEGDEG/ref=ppx_yo_dt_b_search_asin_title?ie=UTF8&psc=1.

“Kano webcam”, <https://kano.me/store/products/webcam> 2021.

* cited by examiner

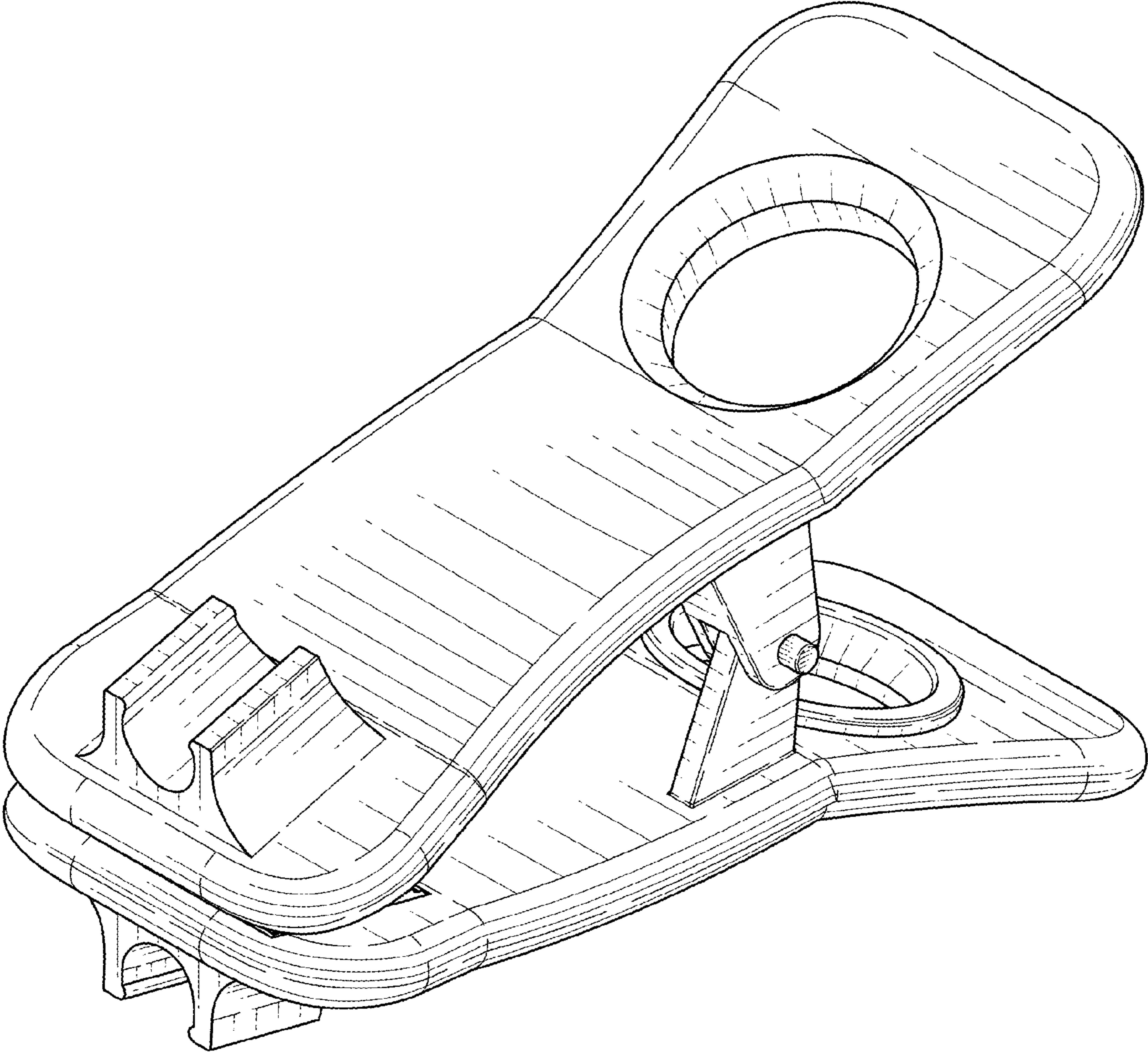


FIG. 1

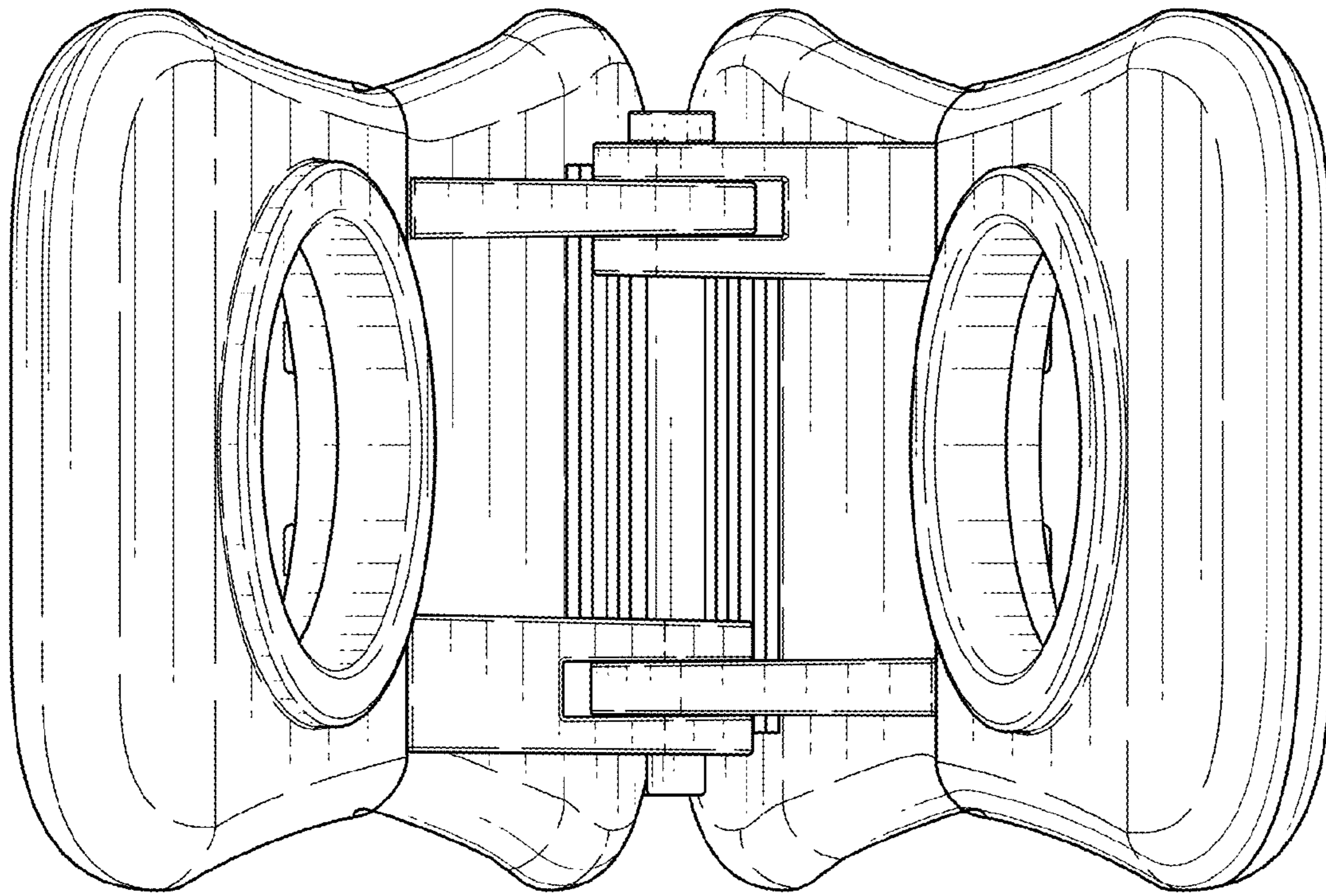


FIG. 3

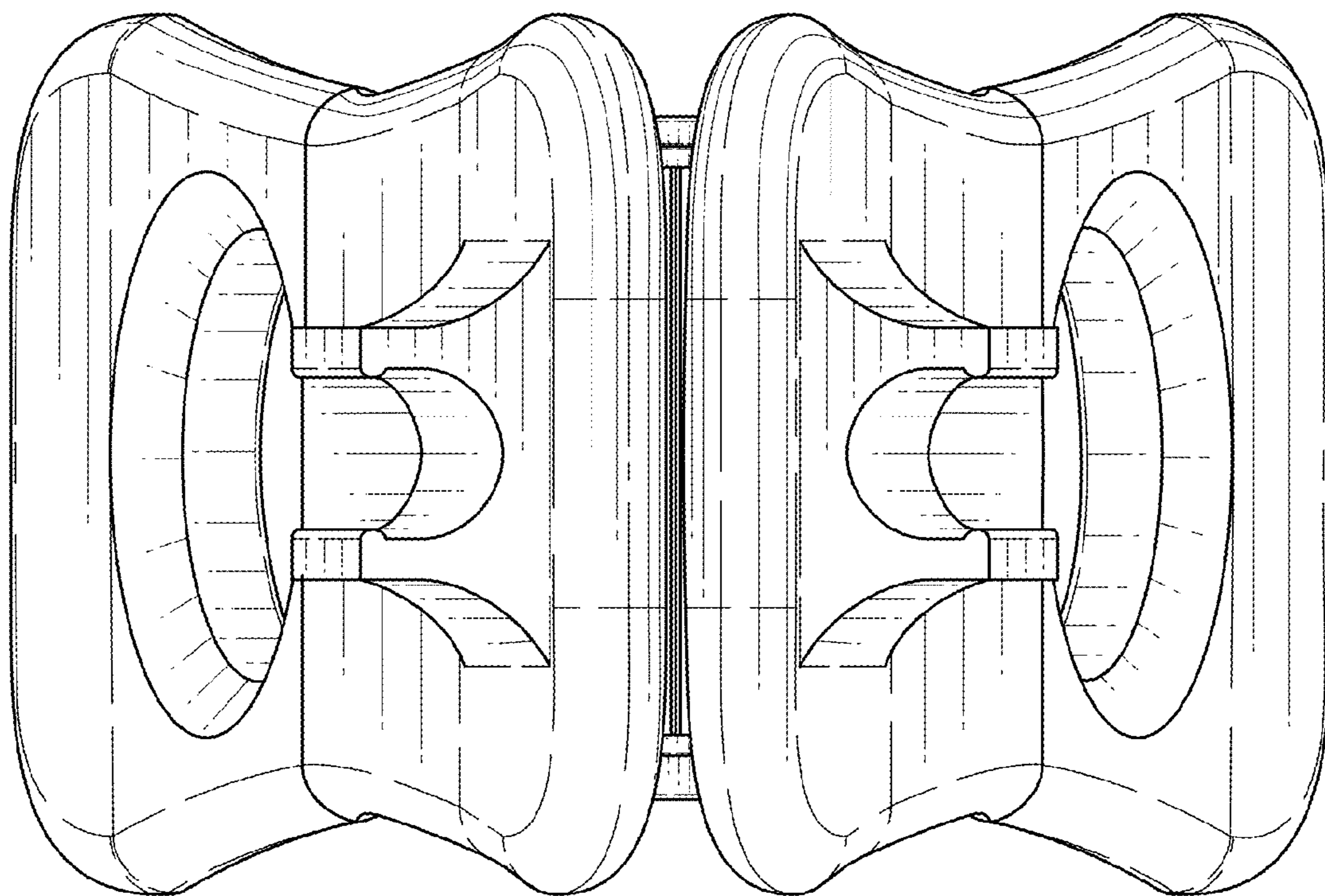


FIG. 2

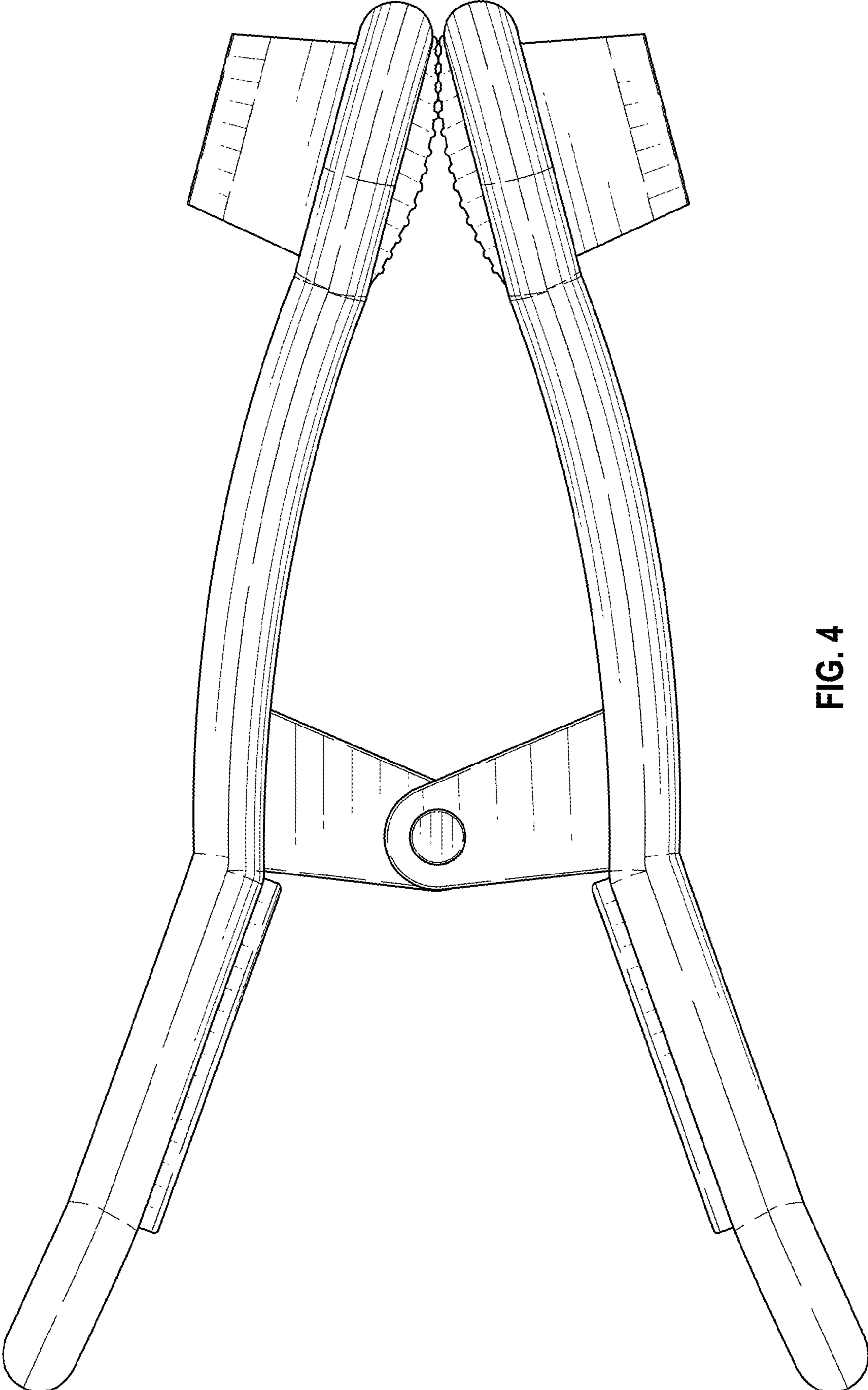


FIG. 4

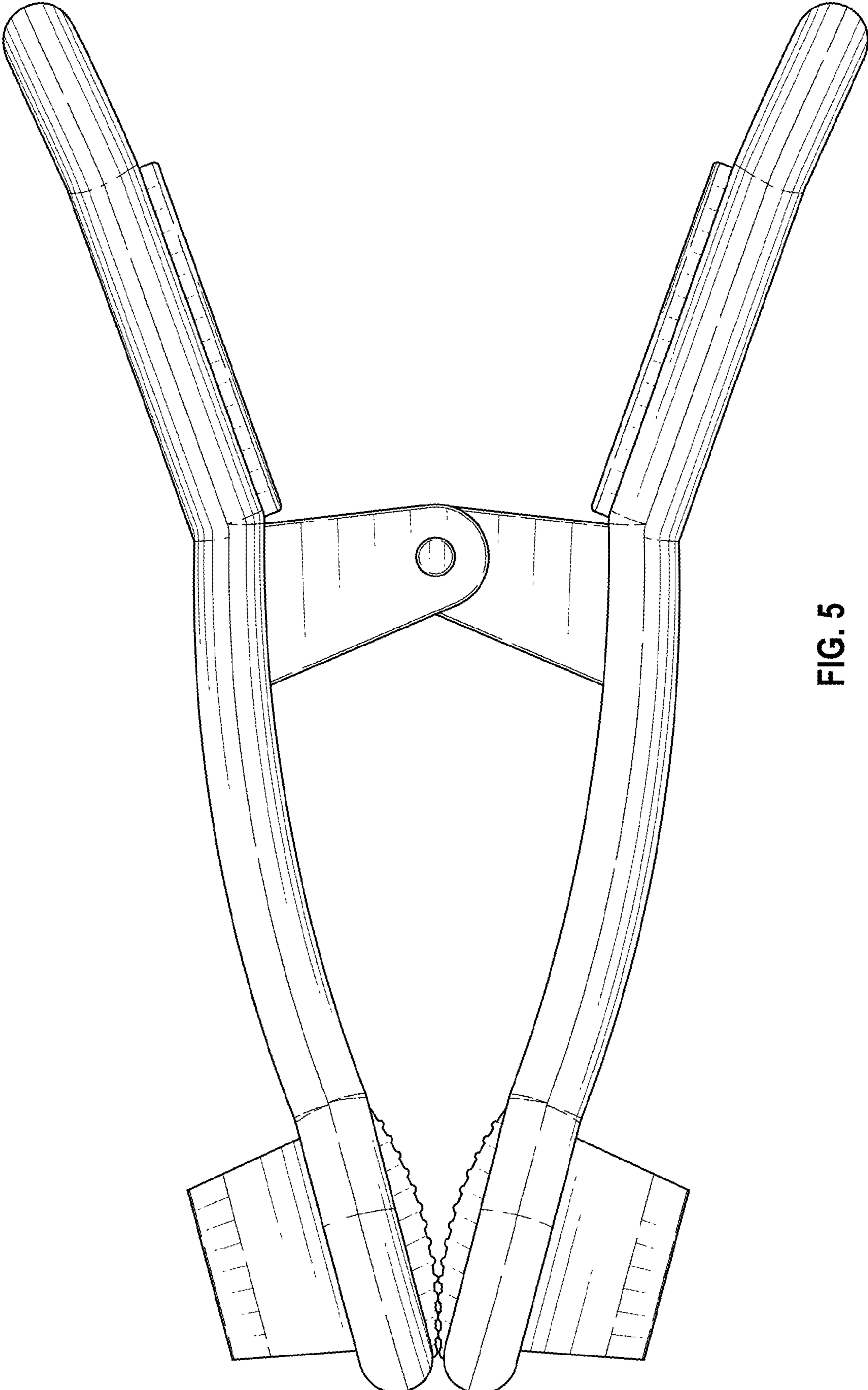


FIG. 5

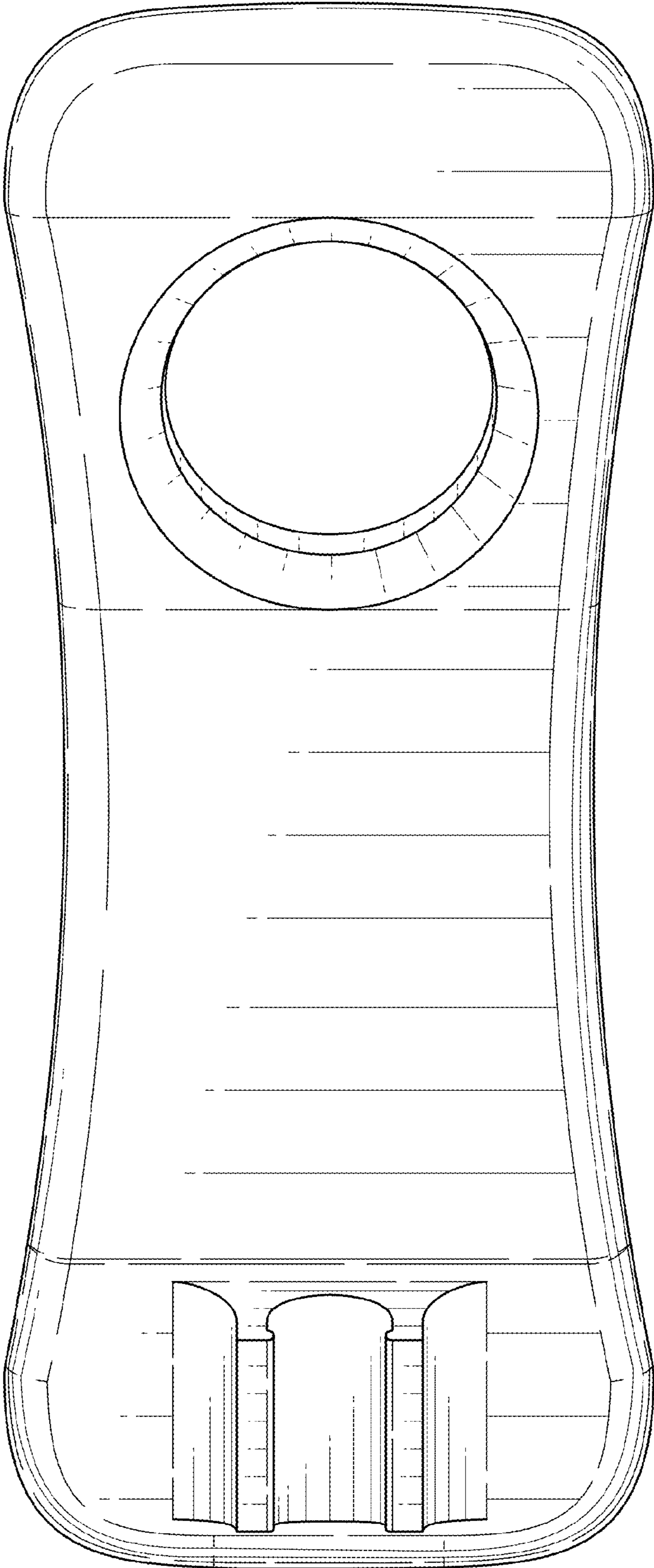


FIG. 6

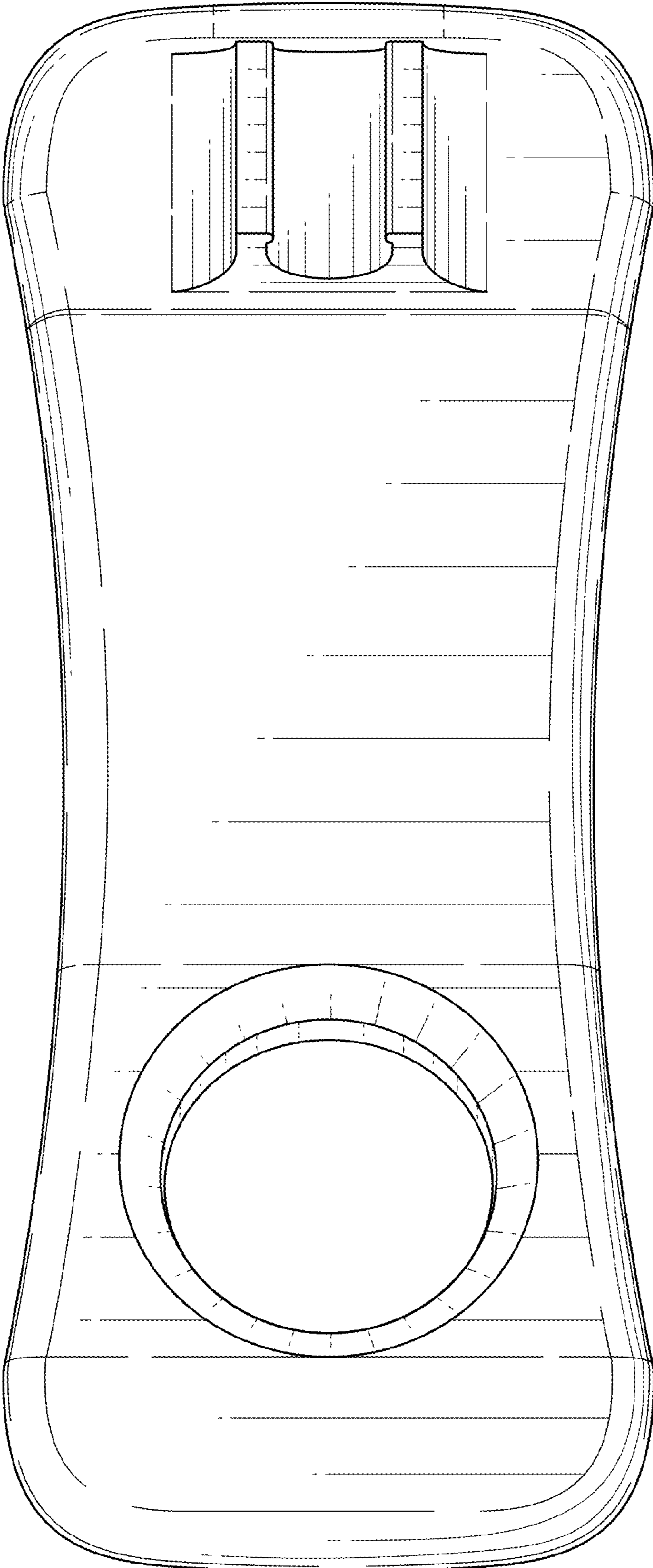


FIG. 7

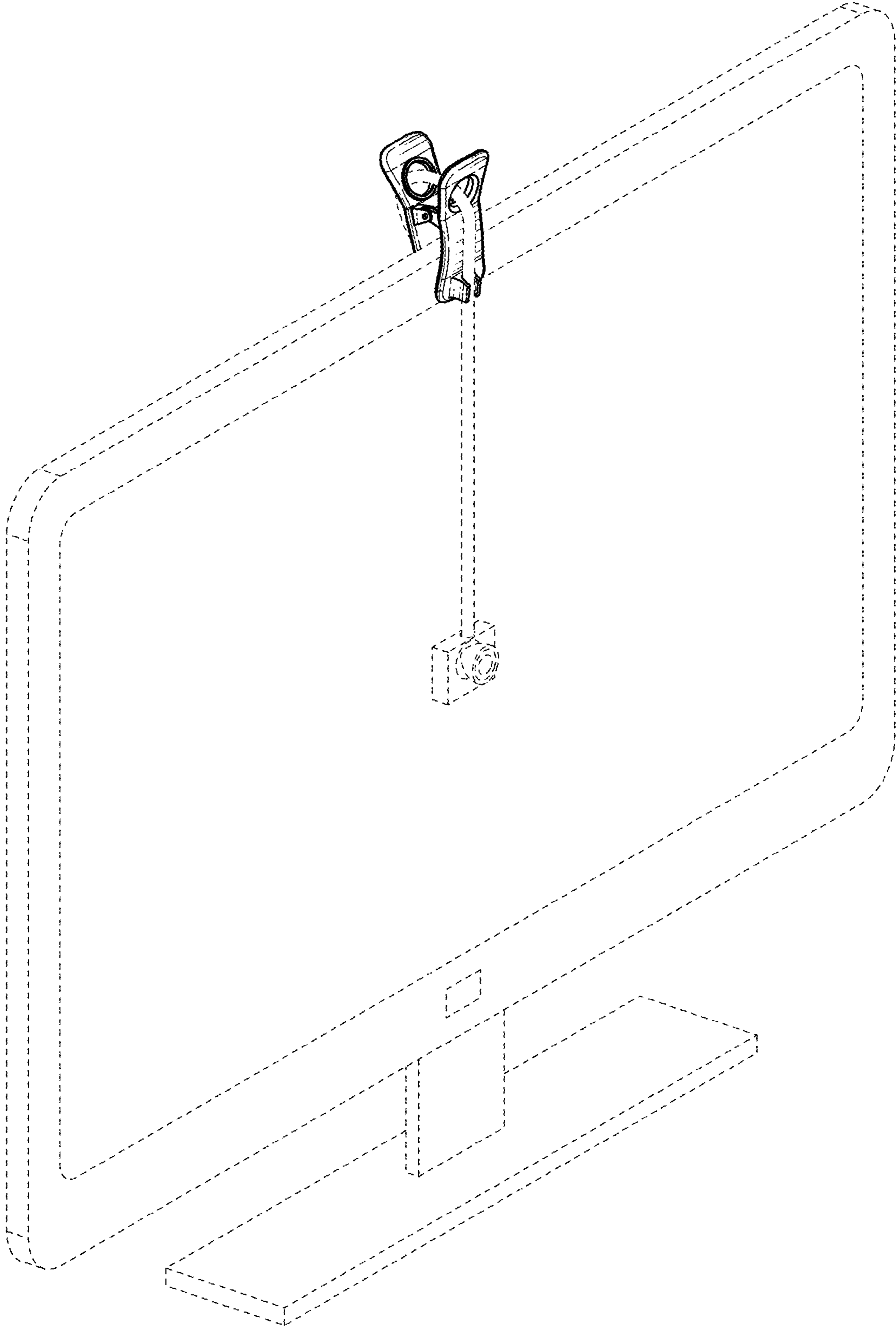


FIG. 8

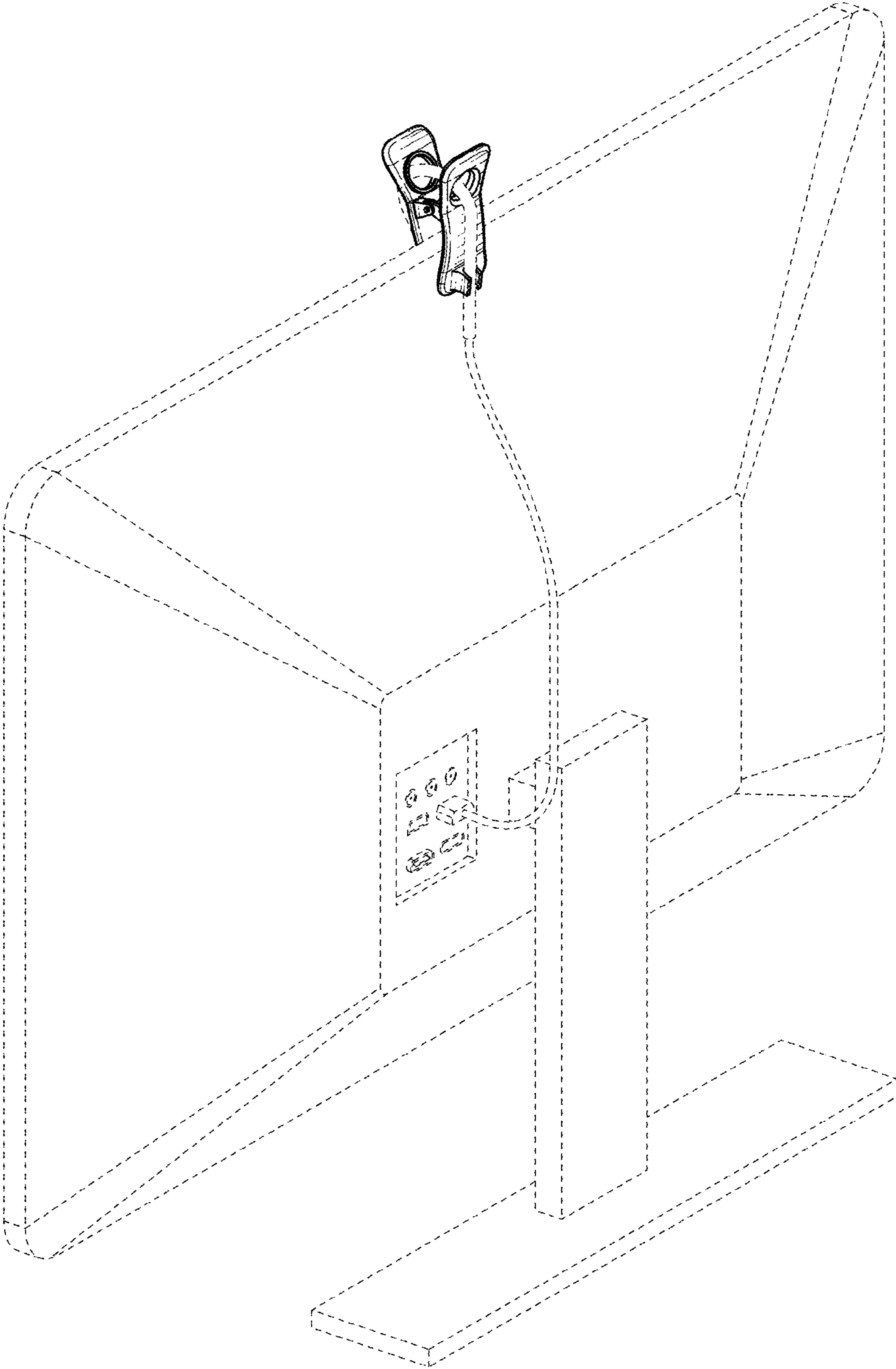


FIG. 9