



US00D987702S

(12) **United States Design Patent**
Tong

(10) **Patent No.:** **US D987,702 S**

(45) **Date of Patent:** **** May 30, 2023**

(54) **HD VIDEO CAMERA**

(71) Applicant: **Jianwen Tong**, Guangdong (CN)

(72) Inventor: **Jianwen Tong**, Guangdong (CN)

(**) Term: **15 Years**

(21) Appl. No.: **29/829,112**

(22) Filed: **Mar. 3, 2022**

(51) **LOC (14) Cl.** **16-01**

(52) **U.S. Cl.**

USPC **D16/202**

(58) **Field of Classification Search**

USPC D16/200–204, 205–211, 213, 217–219,
D16/237, 243; D10/46, 50, 52, 104.1,
D10/106.6, 106.7, 114.8; D14/203.1,
D14/204, 317, 474, 496, 510
CPC G03B 17/00; G03B 17/02; G03B 2217/00;
H04N 5/2251; H04N 5/2252; H04N
5/22525

See application file for complete search history.

(56) **References Cited**

U.S. PATENT DOCUMENTS

D487,104 S *	2/2004	Obata	D16/202
D566,148 S	4/2008	Akita		
D641,388 S *	7/2011	Shih	D16/202
D698,380 S *	1/2014	Fletcher	D16/202
D745,586 S *	12/2015	Chou	D16/202
D807,939 S *	1/2018	Lundin	D16/200
D849,086 S *	5/2019	Russo	D16/202
D865,029 S *	10/2019	Fook	D16/218
D870,790 S *	12/2019	Depay	D16/202
D872,158 S *	1/2020	Bytyqi	D16/202
D896,195 S *	9/2020	Zhang	D14/125

(Continued)

FOREIGN PATENT DOCUMENTS

CN	305852541	*	6/2020
CN	306630461	*	6/2021
CN	306687562	*	7/2021

OTHER PUBLICATIONS

“Wide Angle Webcam with Microphone and Speaker, Tongveo Conference Room USB 1080P Web Camera for Smart TV Computer Video Call Streaming Meeting, Works for Microsoft Teams, Zoom, PC” from Amazon.com, first available Sep. 12, 2020 from the internet <<https://www.amazon.com/dp/B08HWFGTM2/>> (Year: 2020).*

(Continued)

Primary Examiner — Elizabeth J Oswecki

Assistant Examiner — Lacey Chey Bowman

(74) *Attorney, Agent, or Firm* — Che-Yang Chen; Law Office of Michael Chen

(57) **CLAIM**

The ornamental design for an HD video camera, as shown and described.

DESCRIPTION

FIG. 1 is a top, front perspective view of an HD video camera showing my new design;
FIG. 2 is a bottom, rear perspective view thereof;
FIG. 3 is a front elevational view thereof;
FIG. 4 is a rear elevational view thereof;
FIG. 5 is a left side elevational view thereof;
FIG. 6 is a right side elevational view thereof;
FIG. 7 is a top plan view thereof;
FIG. 8 is a bottom plan view thereof;
FIG. 9 is an enlarged portion view taken from encircled portion labeled, “FIG. 9,” in FIG. 1; and,
FIG. 10 is an enlarged portion view taken from encircled portion labeled, “FIG. 10,” in FIG. 2.
The dashed-dot lines form the boundary of the enlarged portion views in FIGS. 1, 2, 9, and, 10 and form no part of the claimed design. The even broken lines shown in the drawings are included for the purpose of illustrating portions of the HD video camera that form no part of the claimed design.

1 Claim, 10 Drawing Sheets

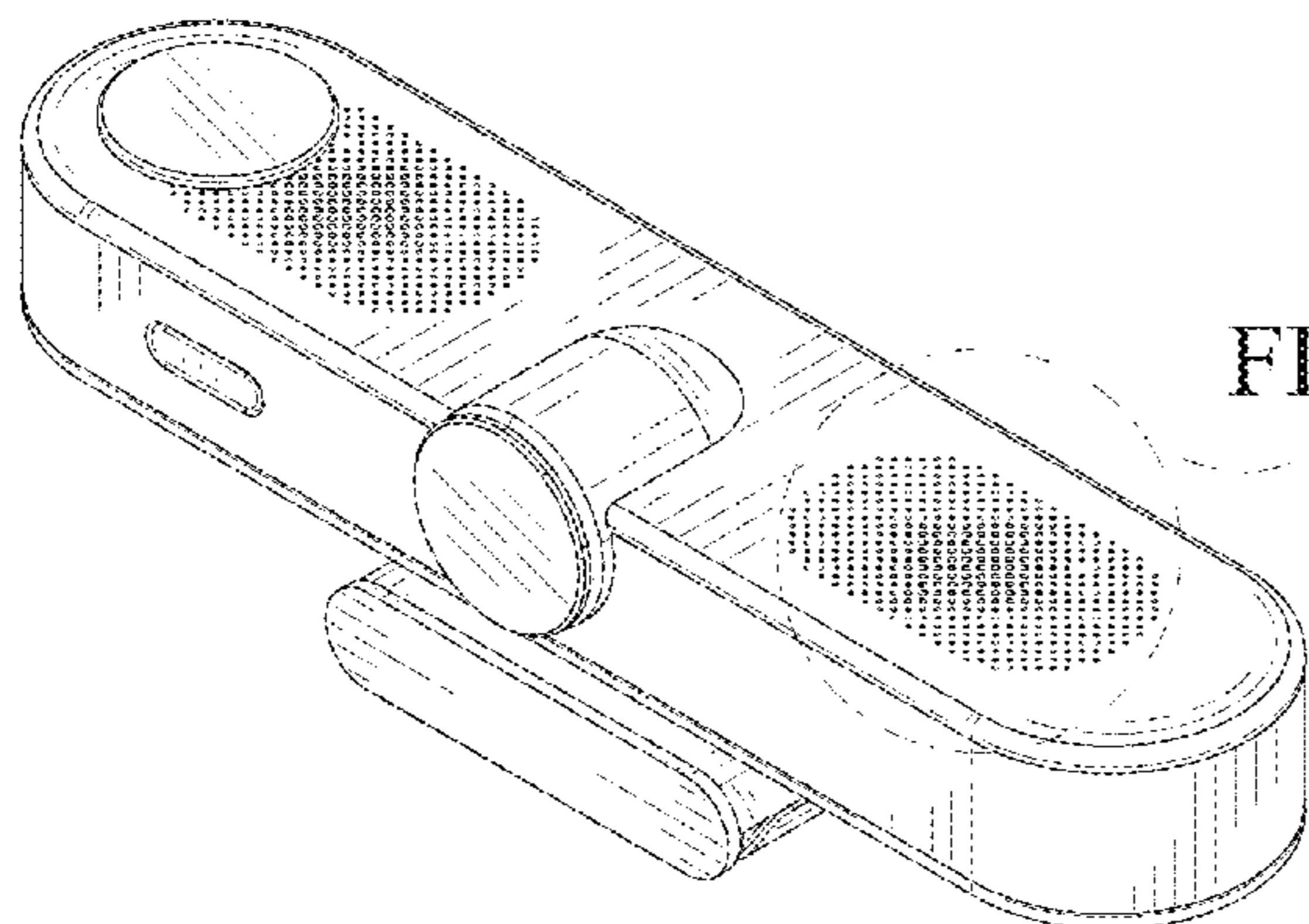


FIG. 9

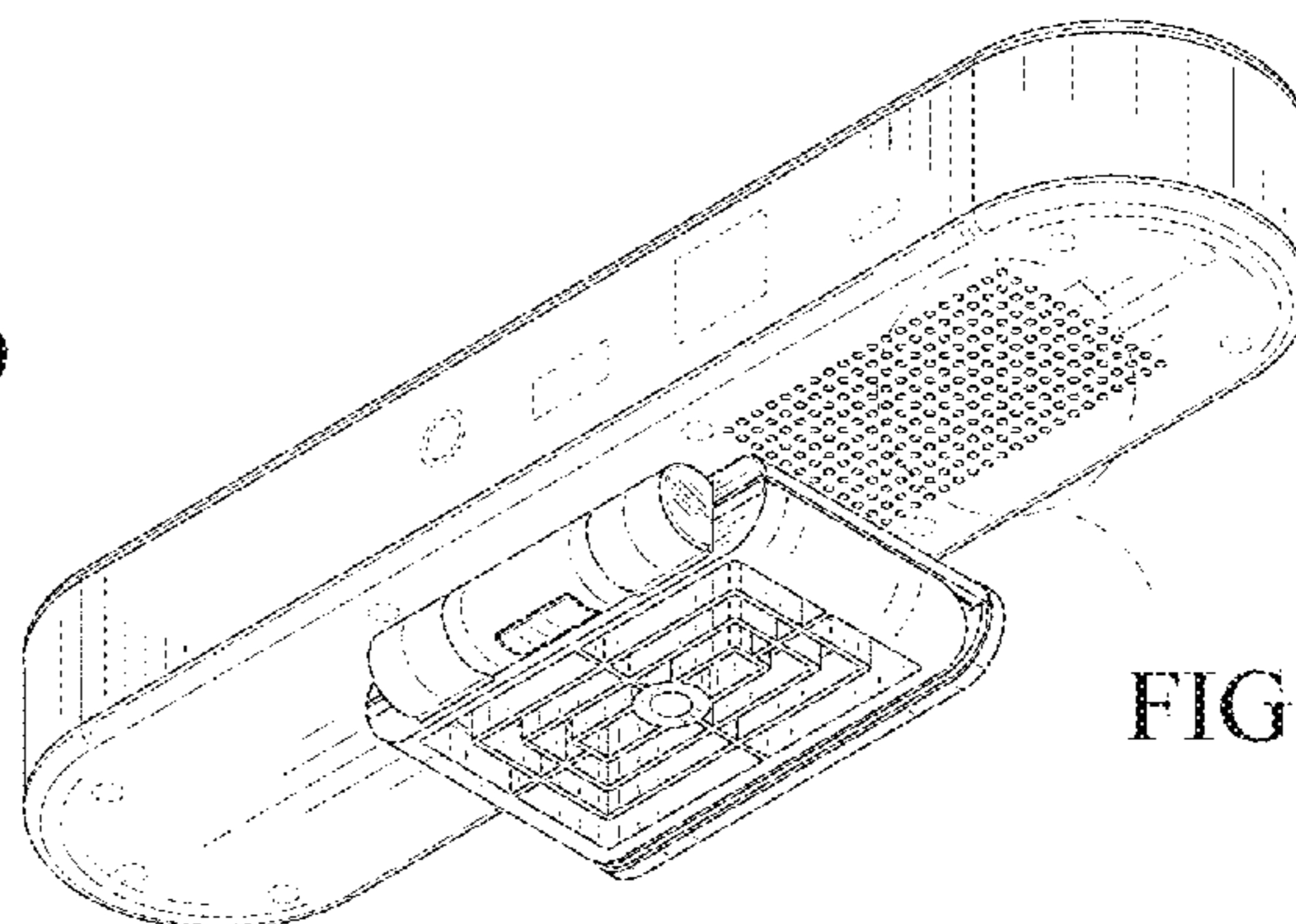


FIG. 10

(56)

References Cited

U.S. PATENT DOCUMENTS

D905,778	S	*	12/2020	Lenz	D16/208
D912,717	S	*	3/2021	Russo	D16/202
D924,299	S	*	7/2021	Gartrell	D16/202
D924,959	S	*	7/2021	Gartrell	D16/202
D929,482	S	*	8/2021	Livaudais	D16/202
D931,927	S	*	9/2021	Russo	D16/202
D932,534	S	*	10/2021	Su	D14/125
D940,776	S	*	1/2022	Gartrell	D16/202
D940,777	S	*	1/2022	Gartrell	D16/202
D952,015	S	*	5/2022	Wu	D16/202
D954,008	S	*	6/2022	Su	D14/125

OTHER PUBLICATIONS

“Studio P15” from Microsoft.com, first retrieved Aug. 23, 2022 from the internet <<https://www.microsoft.com/en-us/microsoft-teams/across-devices/devices/product/poly-studio-p15/821>> (Year: 2022).*

“Tongveo 4K Webcam with Microphone and Speaker, 5X Digital Zoom ePTZ Video Conference Web Camera for Desktop with Privacy Cover 120° Wide View AI Auto Framing Streaming Webcam for Zoom,Skype” from Amazon.com, first available Oct. 21, 2021 from the internet <<https://www.amazon.com/Microphone-Speaker-TONGVEO-Conference-Streaming/dp/B09K3JM5G2?th=1>> (Year: 2021).*

* cited by examiner

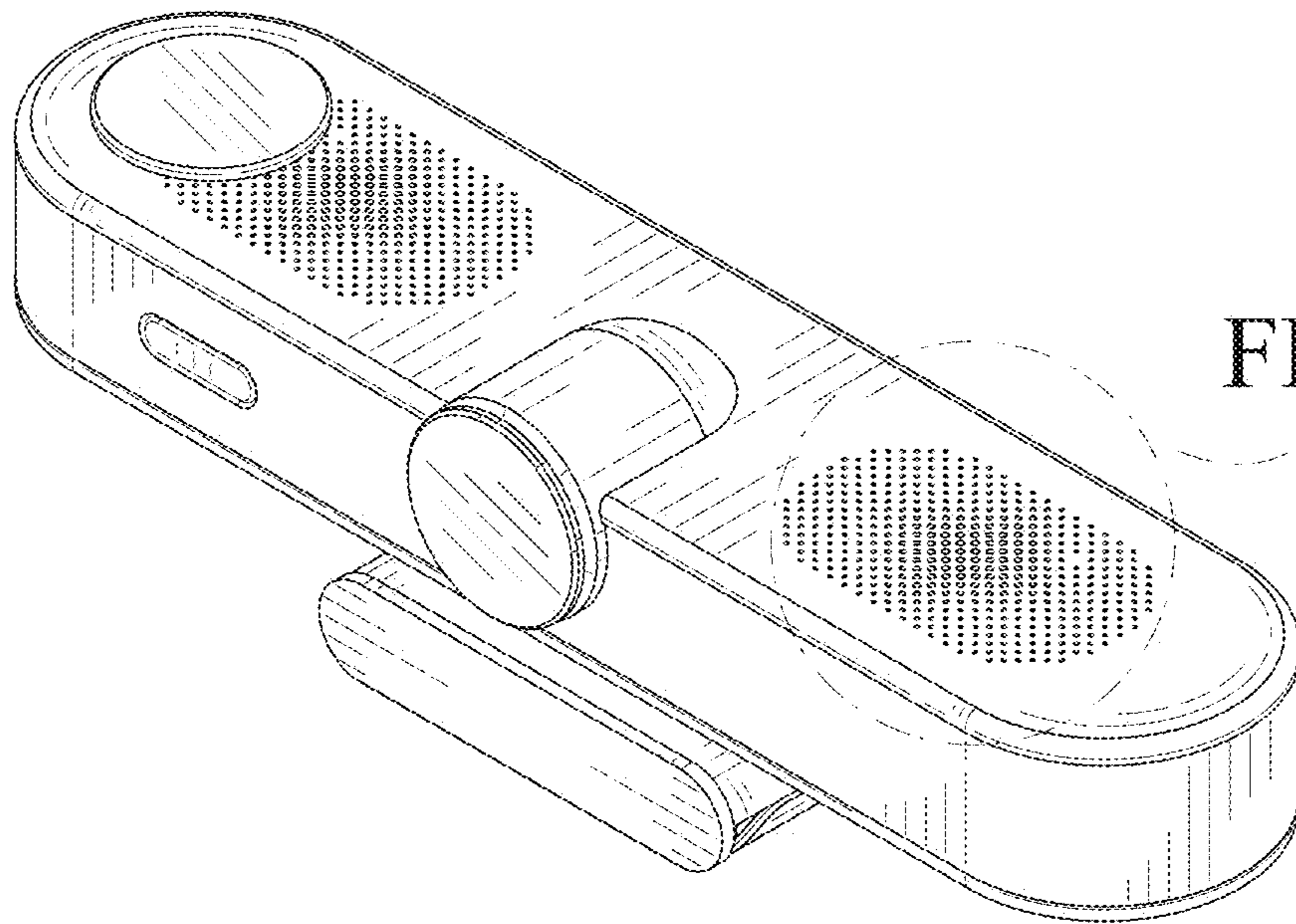


FIG. 9

FIG. 1

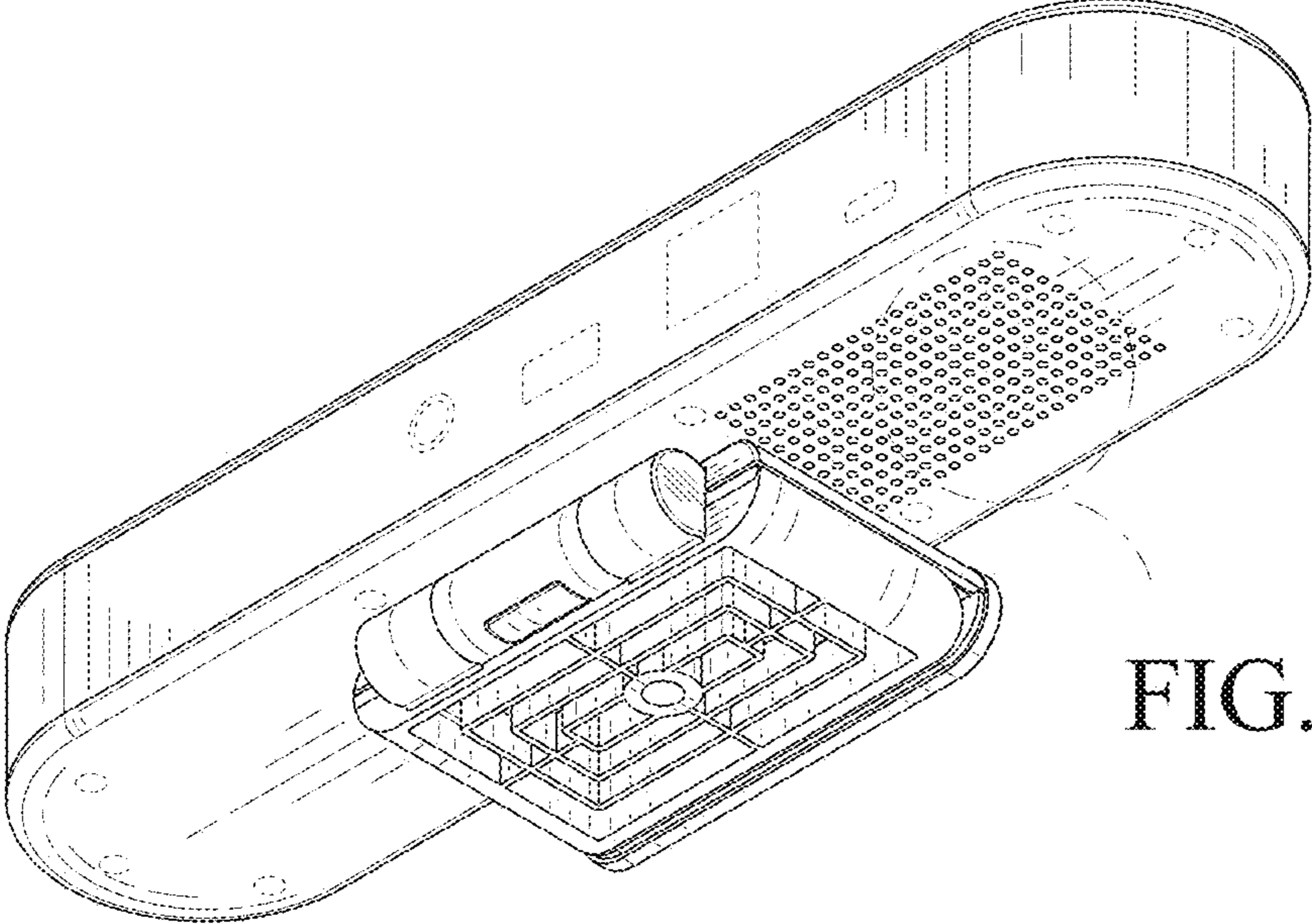


FIG. 10

FIG. 2

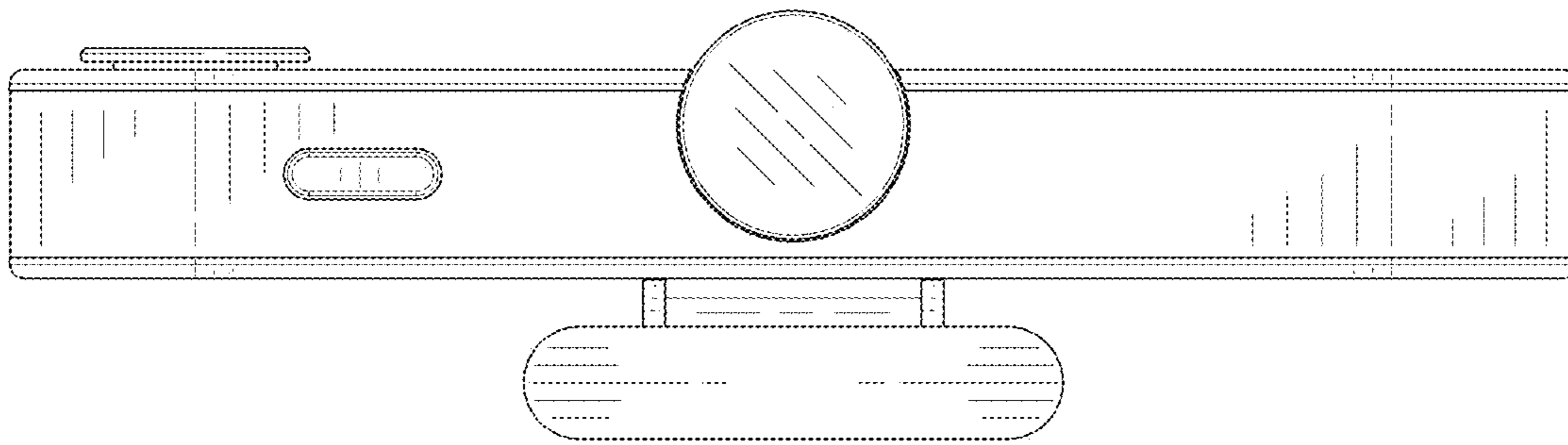


FIG.3

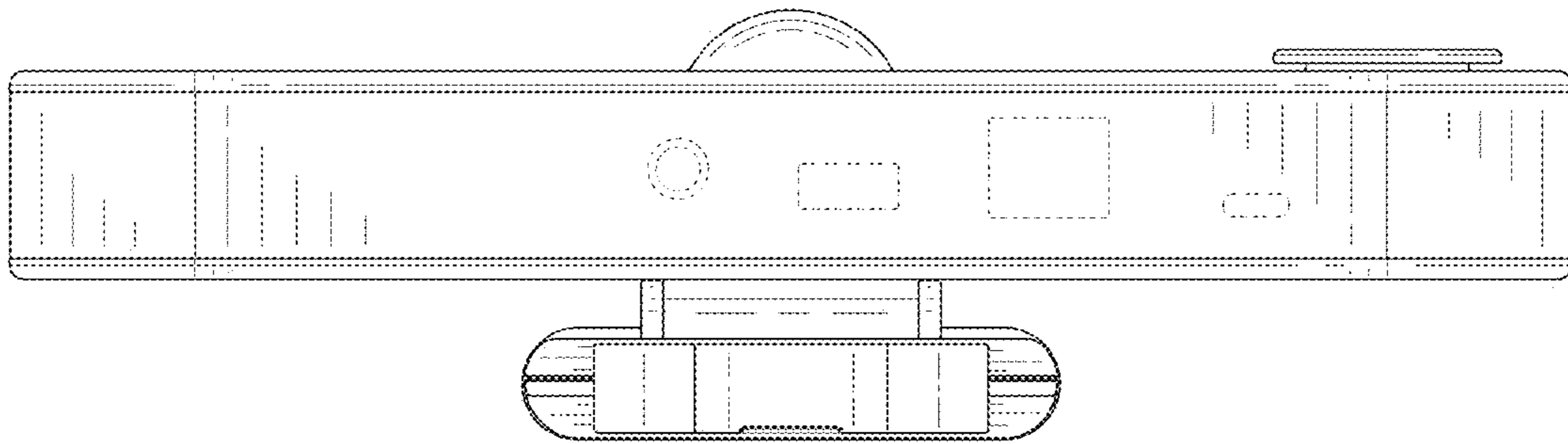


FIG. 4

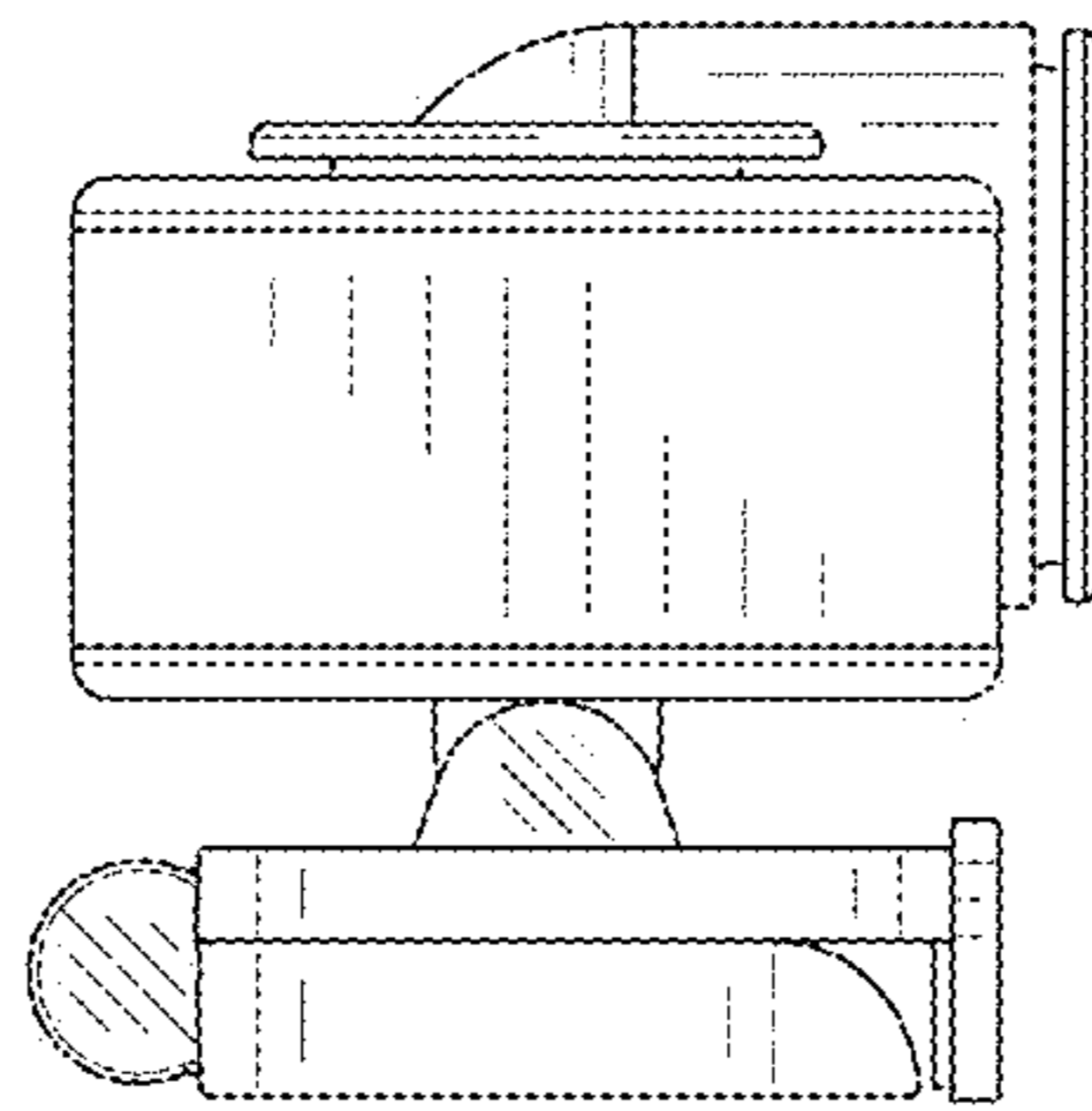


FIG.5

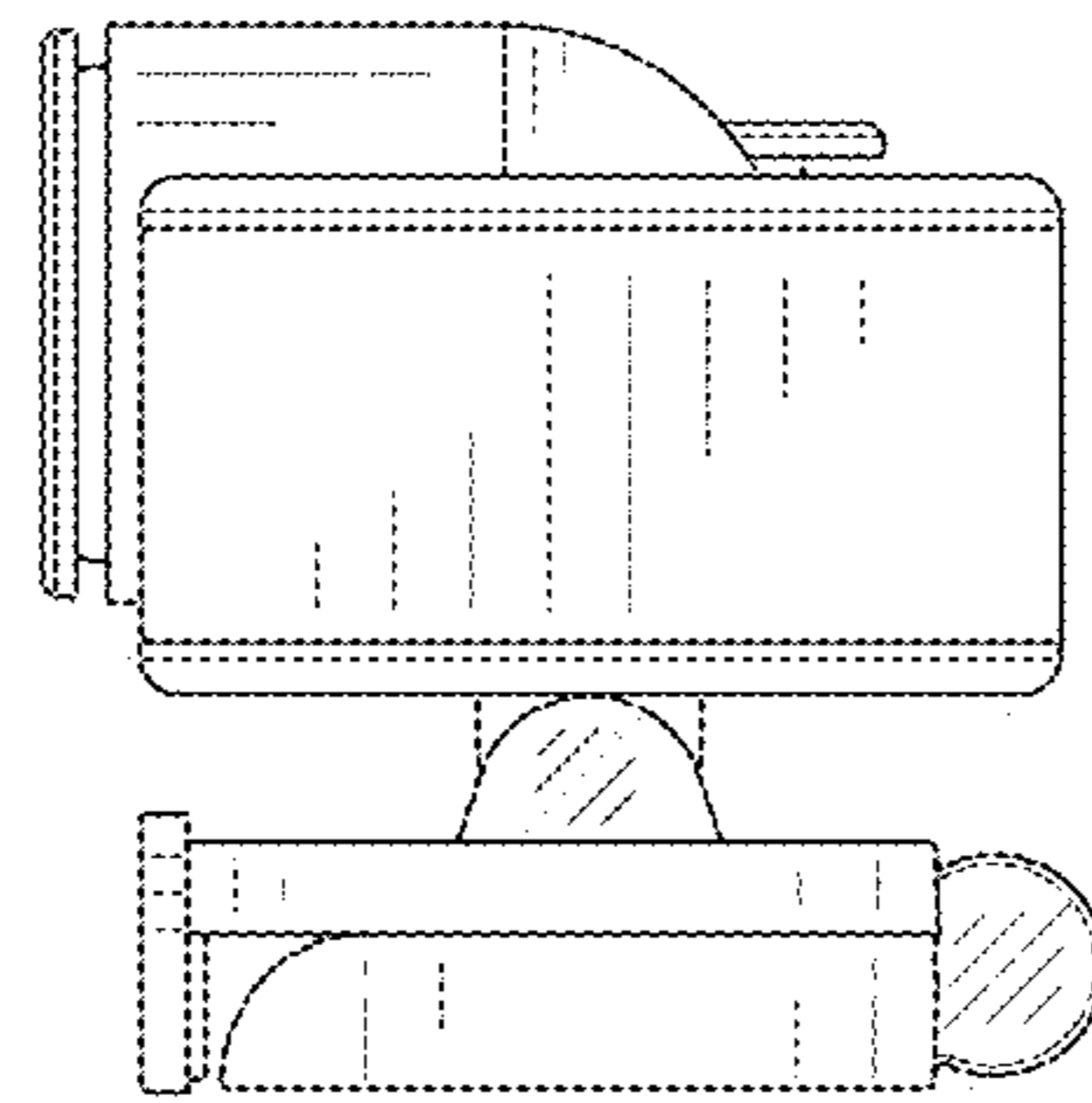


FIG.6

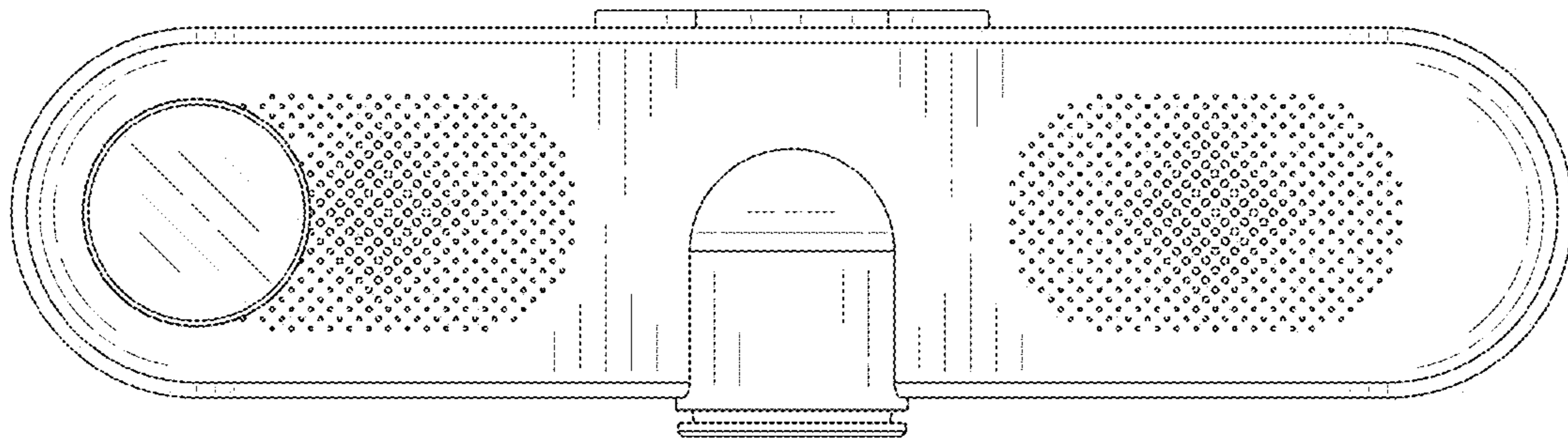


FIG. 7

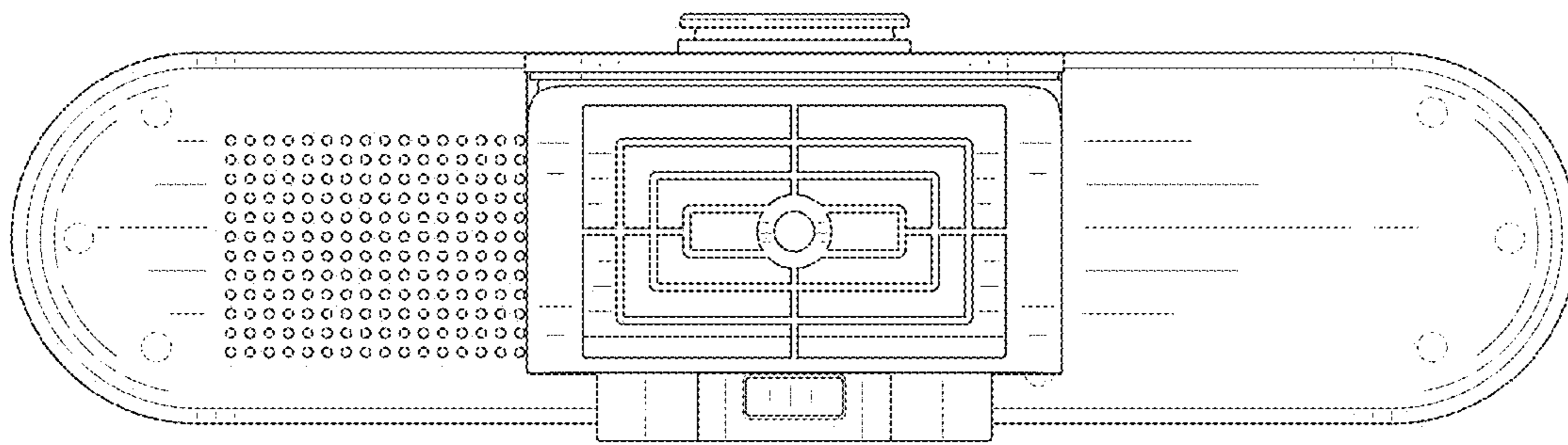


FIG.8

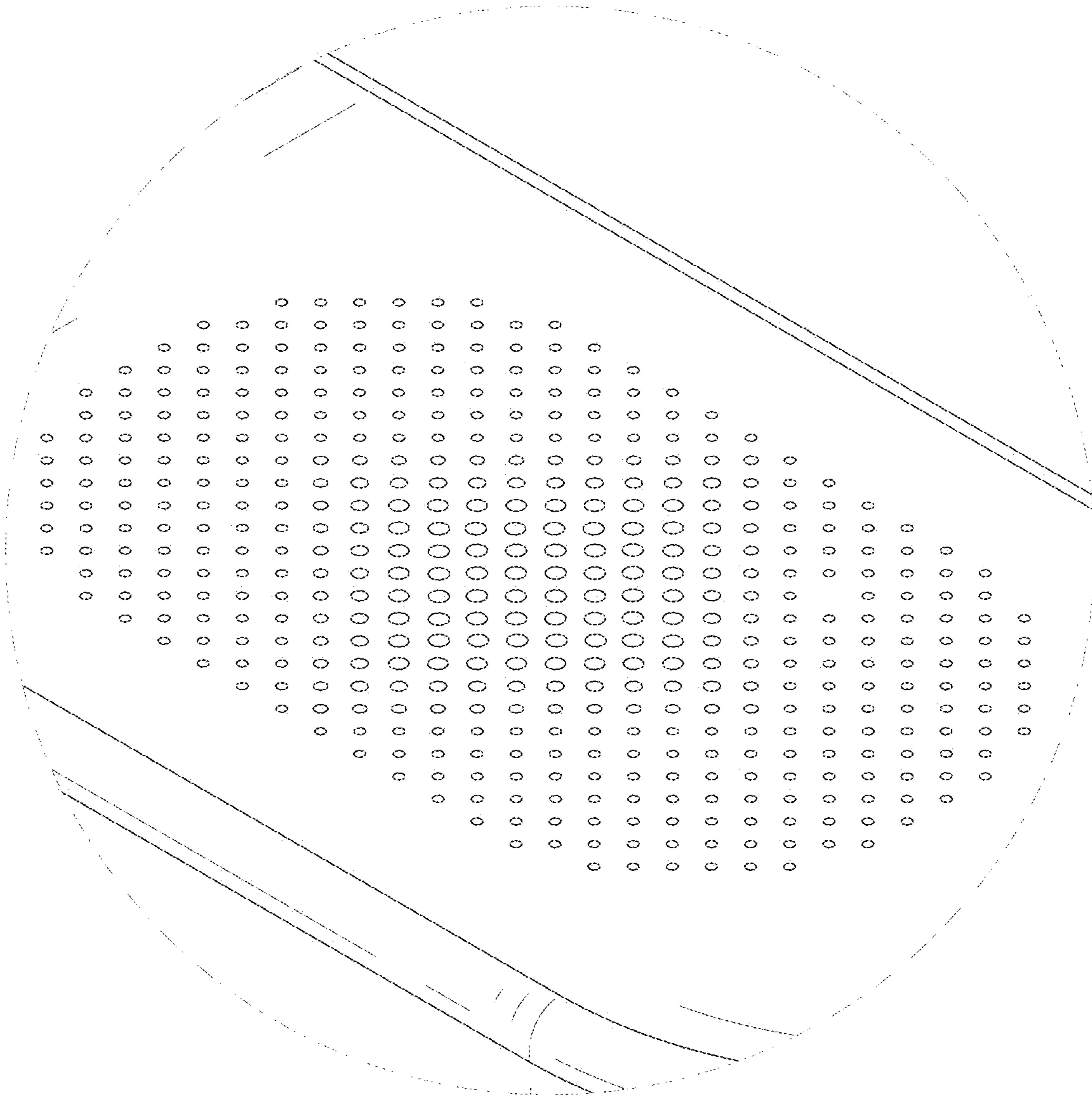


FIG.9

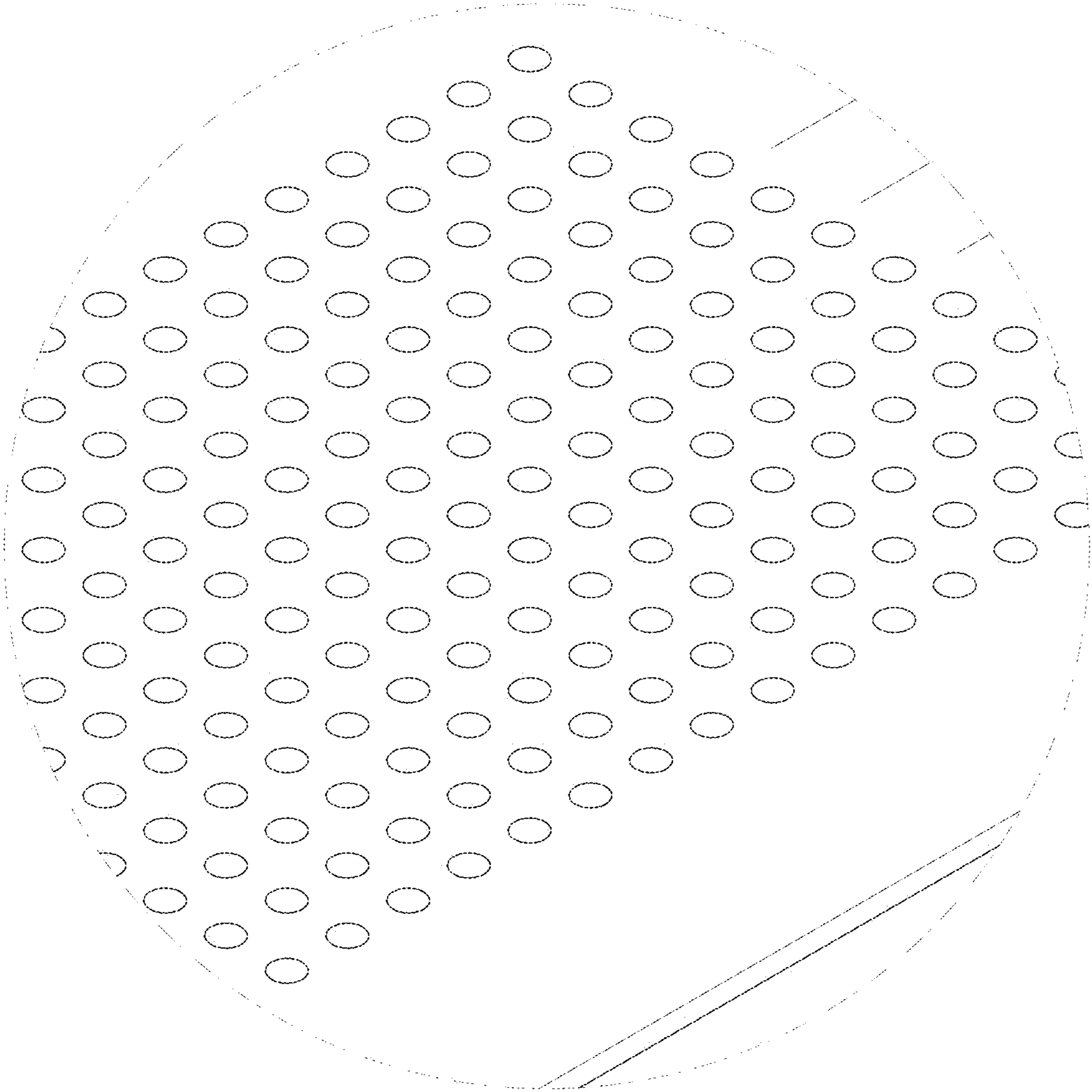


FIG. 10