



US00D987700S

(12) **United States Design Patent**
Chen

(10) **Patent No.:** **US D987,700 S**

(45) **Date of Patent:** **** May 30, 2023**

(54) **NIGHT VISION GOGGLE**

OTHER PUBLICATIONS

(71) Applicant: **Shenzhen Gaodi Digital Co., Ltd.**,
Shenzhen (CN)

Amazon Vmotal Night Vision Goggles Digital Binoculars, earliest pictured Oct. 13, 2020, [online], [site visited Jan. 6, 2023]. Available via Internet, <URL:https://www.amazon.com/Vmotal-Infrared-Binoculars-Water-Resistant-Reconnaissance/dp/B08L4X8R1T> (Year: 2020).*

(72) Inventor: **Zhujun Chen**, Shenzhen (CN)

Amazon TKWSER Night Vision Binoculars, earliest pictured Oct. 6, 2021, [online], [site visited Jan. 6, 2023]. Available via Internet, <URL: https://www.amazon.co.uk/Binoculars-Infrared-Wildlife-Recording-Spotting/dp/B09HTNTN2D> (Year: 2021).*

(73) Assignee: **Shenzhen Gaodi Digital Co., Ltd.**,
Shenzhen (CN)

Megaorei Night Vision Goggles, earliest pictured date unavailable, [online], [site visited Jan. 6, 2023]. Available via Internet, <URL:https://www.megaorei.net/product/megaorei-b1-720p-night-vision-binoculars-goggles-with-3-0inch-screen-4x-digital-zoom-200-300m-view-distance-in-darkness/> (Year: 2023).*

(**) Term: **15 Years**

Google Search, [online], [site visited Jan. 6, 2023]. Available via Internet, <URL:https://www.google.com/search?q=digital+binoculars&rlz=1C1GCEA_enUS1001US1001&source=lnms&tbn=isch&sa=X&ved=2ahUKEwks4fFobP8AhXbF1kFHW-eCG8Q_AUoAnoECAIQBA&biw=2133&bih=1174&dpr=0.9> (Year: 2023).*

(21) Appl. No.: **29/769,973**

(22) Filed: **Feb. 9, 2021**

(30) **Foreign Application Priority Data**

Feb. 1, 2021 (CN) 202130072947.4

(51) **LOC (14) Cl.** **16-06**

(52) **U.S. Cl.**
USPC **D16/133**

(58) **Field of Classification Search**
USPC D16/130, 131, 132, 133, 134, 135, 136,
D16/200; D22/108, 109
CPC . G02C 9/02; G02C 1/00; G02B 23/18; G02B
23/00
See application file for complete search history.

* cited by examiner

Primary Examiner — Sanjeev Paul
Assistant Examiner — Breana Copeland

(57) **CLAIM**

The ornamental design for a night vision goggle, as shown and described.

DESCRIPTION

(56) **References Cited**

U.S. PATENT DOCUMENTS

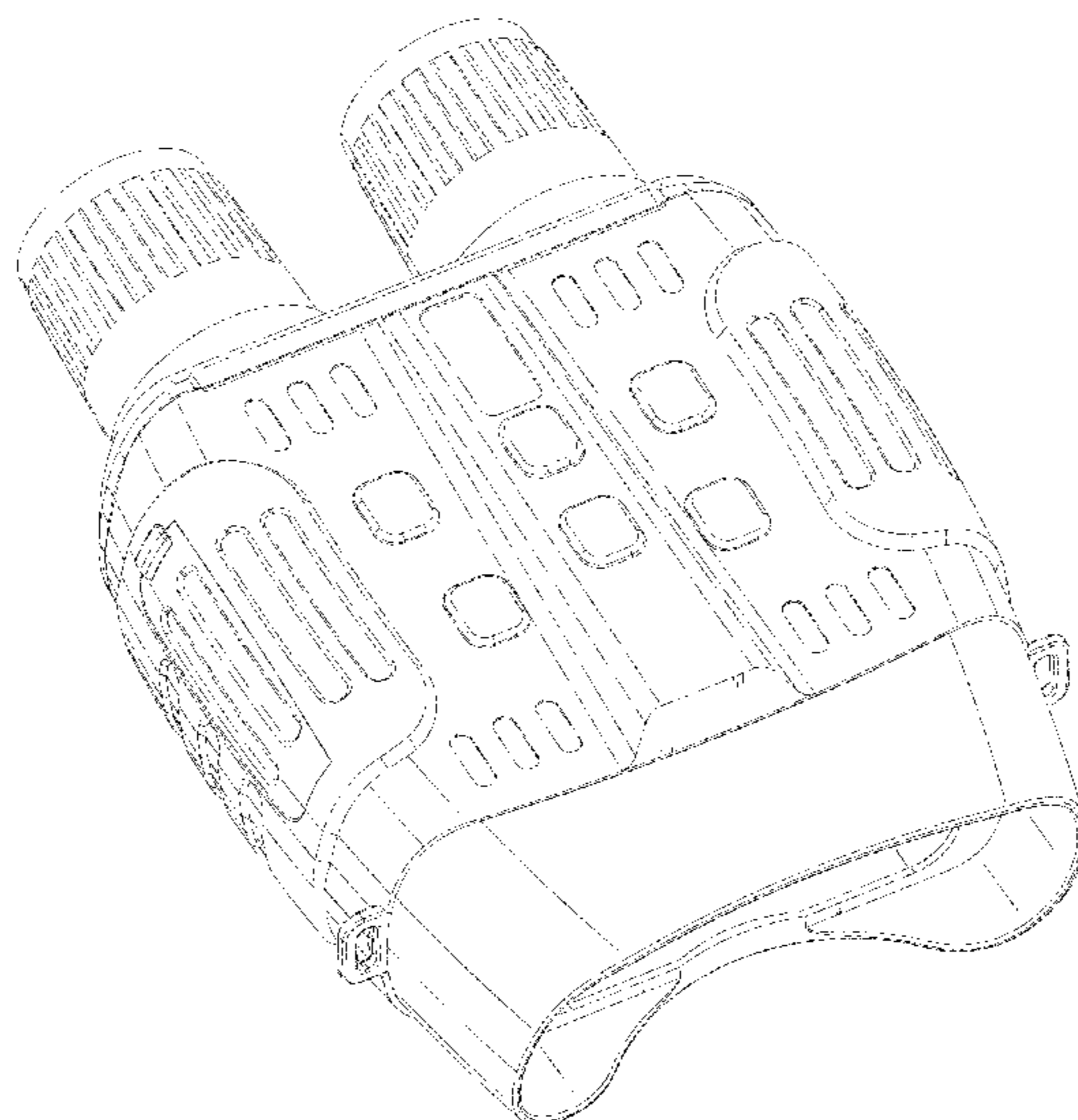
D752,670 S	*	3/2016	Chen	D16/132
D941,901 S	*	1/2022	Chen	D16/133
D954,123 S	*	6/2022	Jiang	D16/133
D965,657 S	*	10/2022	Chen	D16/133
D971,285 S	*	11/2022	Huang	D16/133

FOREIGN PATENT DOCUMENTS

CN	305093255	*	4/2019
CN	306621336	*	6/2021
CN	307267270	*	4/2022

FIG. 1 is a perspective view of a night vision goggle showing my new design;
FIG. 2 is a front elevational view thereof;
FIG. 3 is a rear elevational view thereof;
FIG. 4 is a left side elevational view thereof;
FIG. 5 is a right side elevational view thereof;
FIG. 6 is a top plan view thereof;
FIG. 7 is a bottom plan view thereof; and,
FIG. 8 is another perspective view of the night vision goggle shown in FIG. 1.

1 Claim, 8 Drawing Sheets



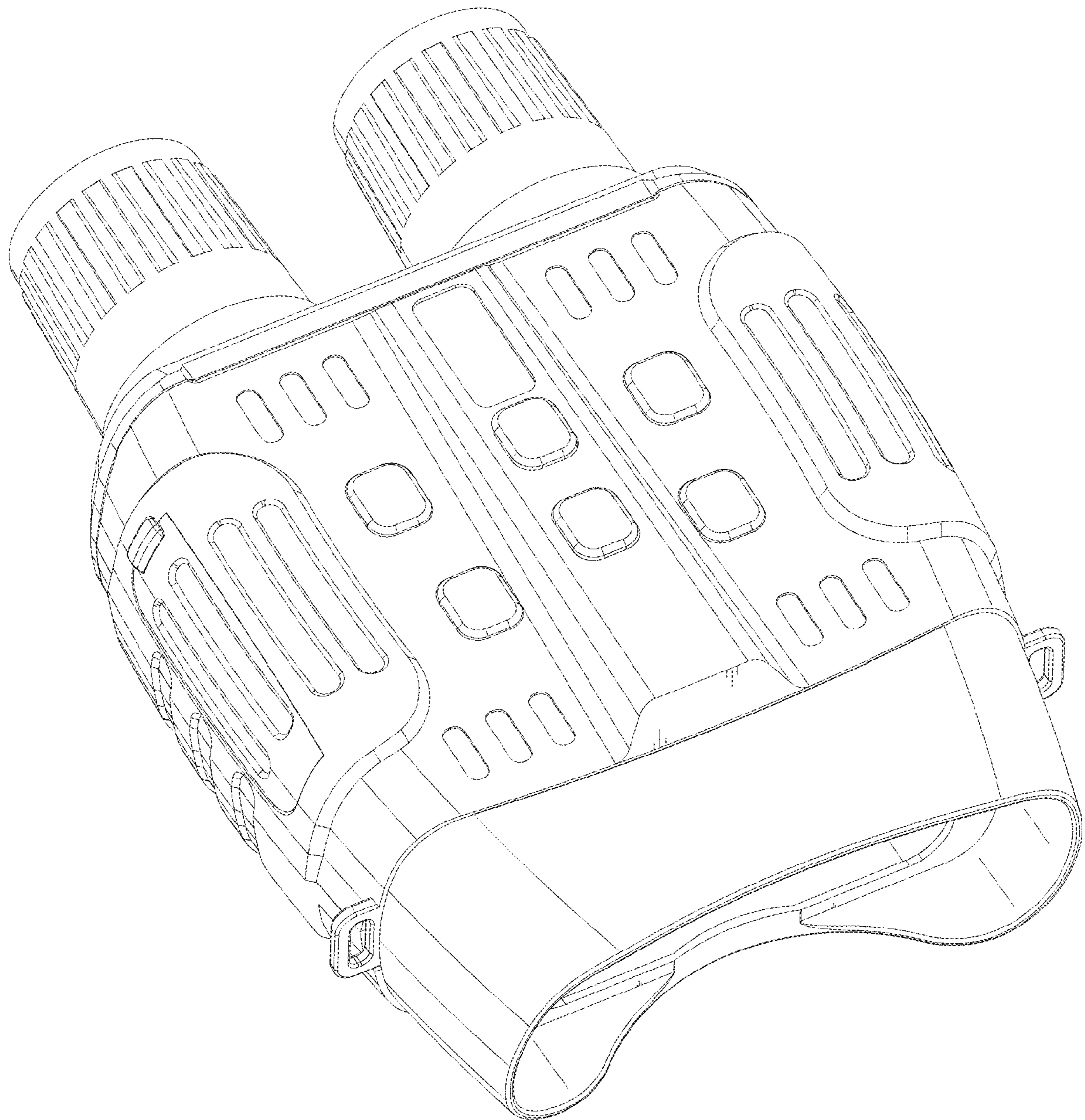


FIG. 1

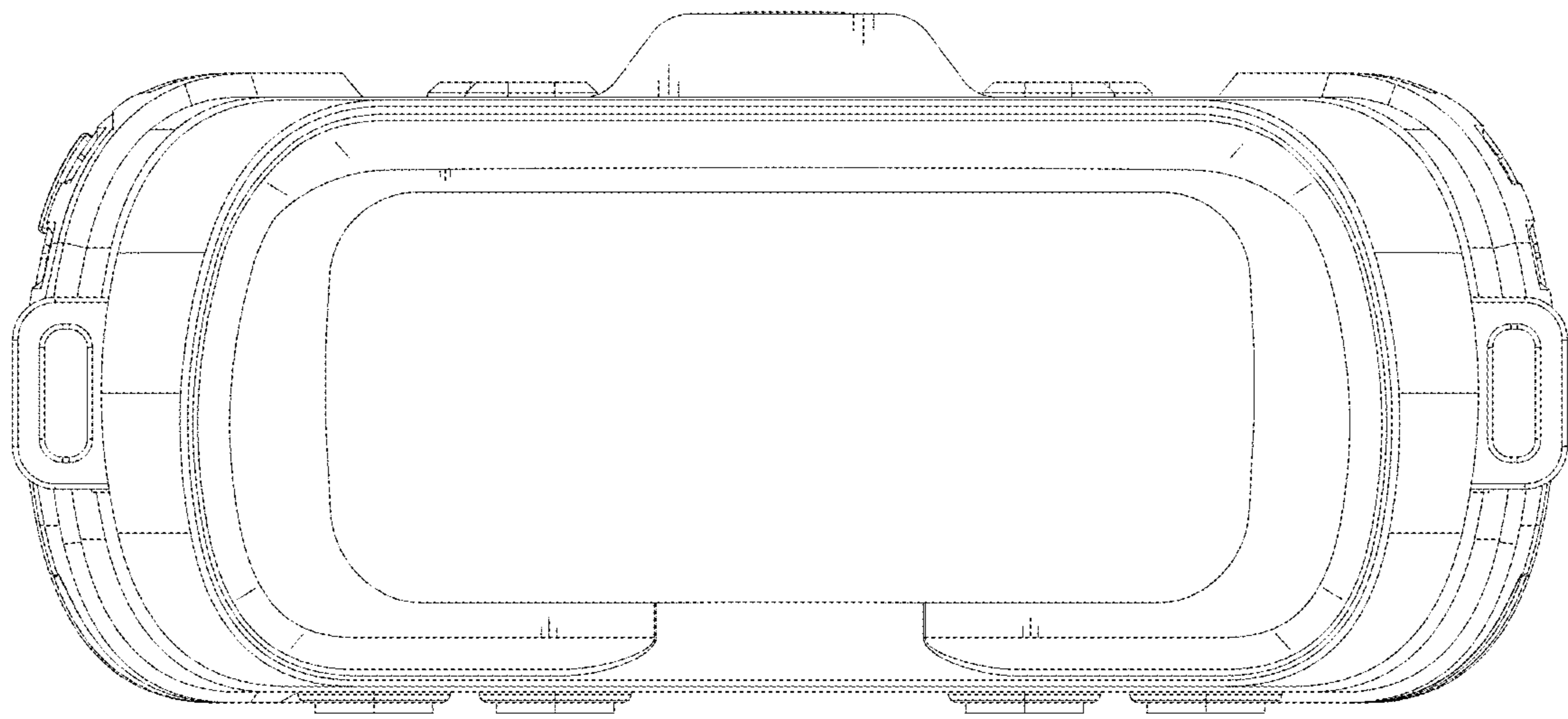


FIG. 2

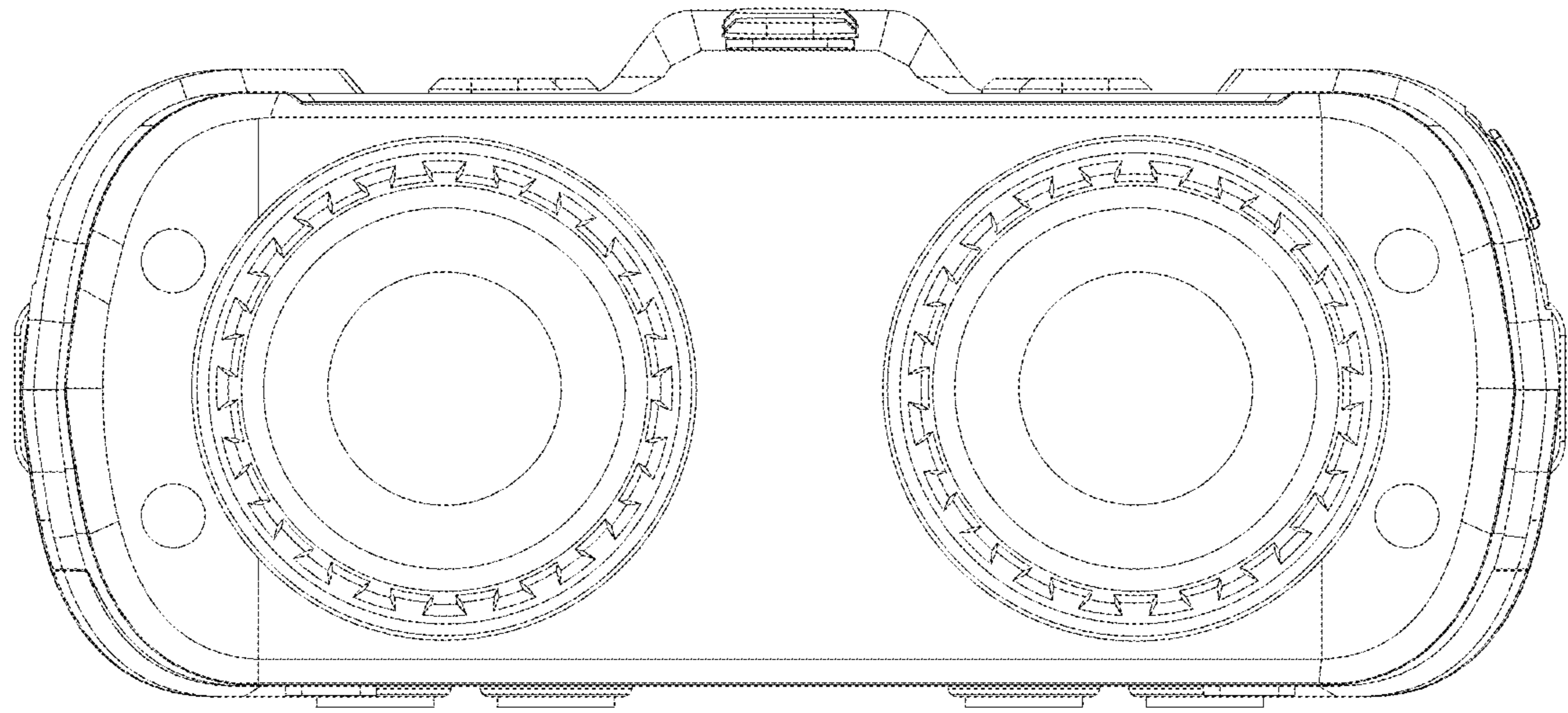


FIG. 3

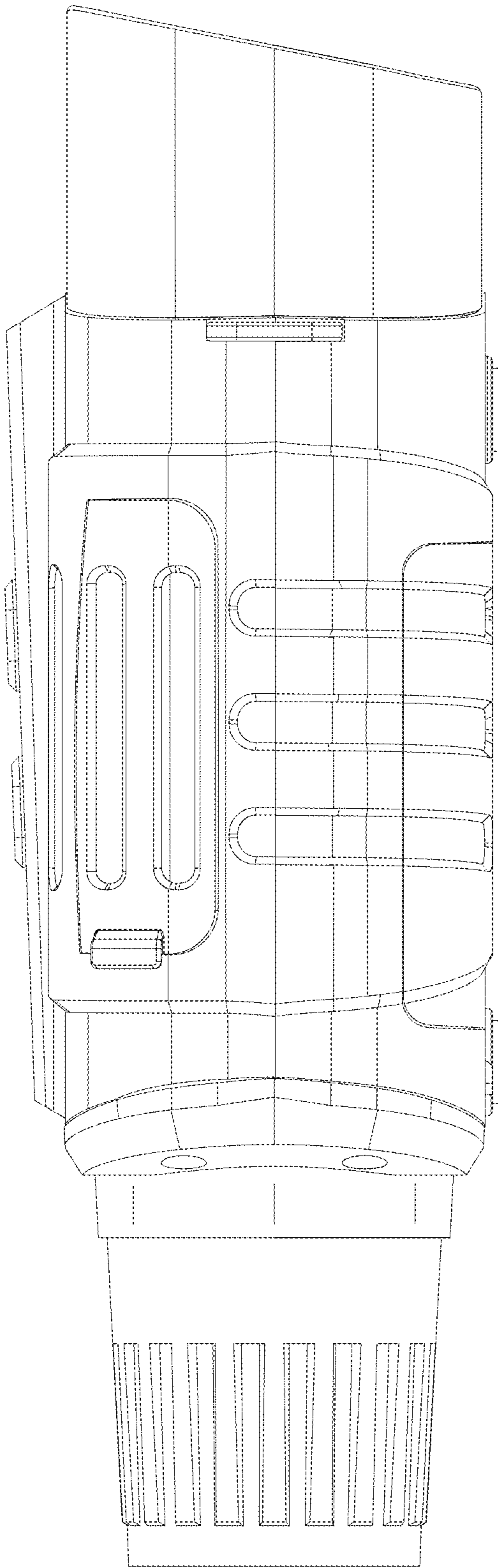


FIG. 4

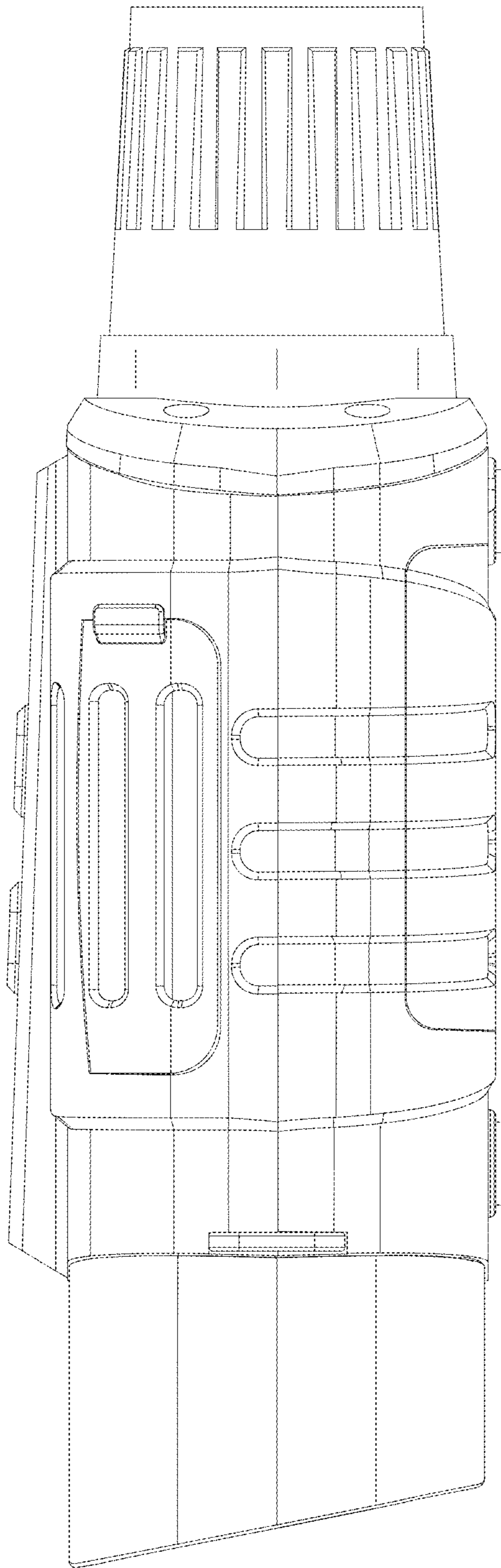


FIG. 5

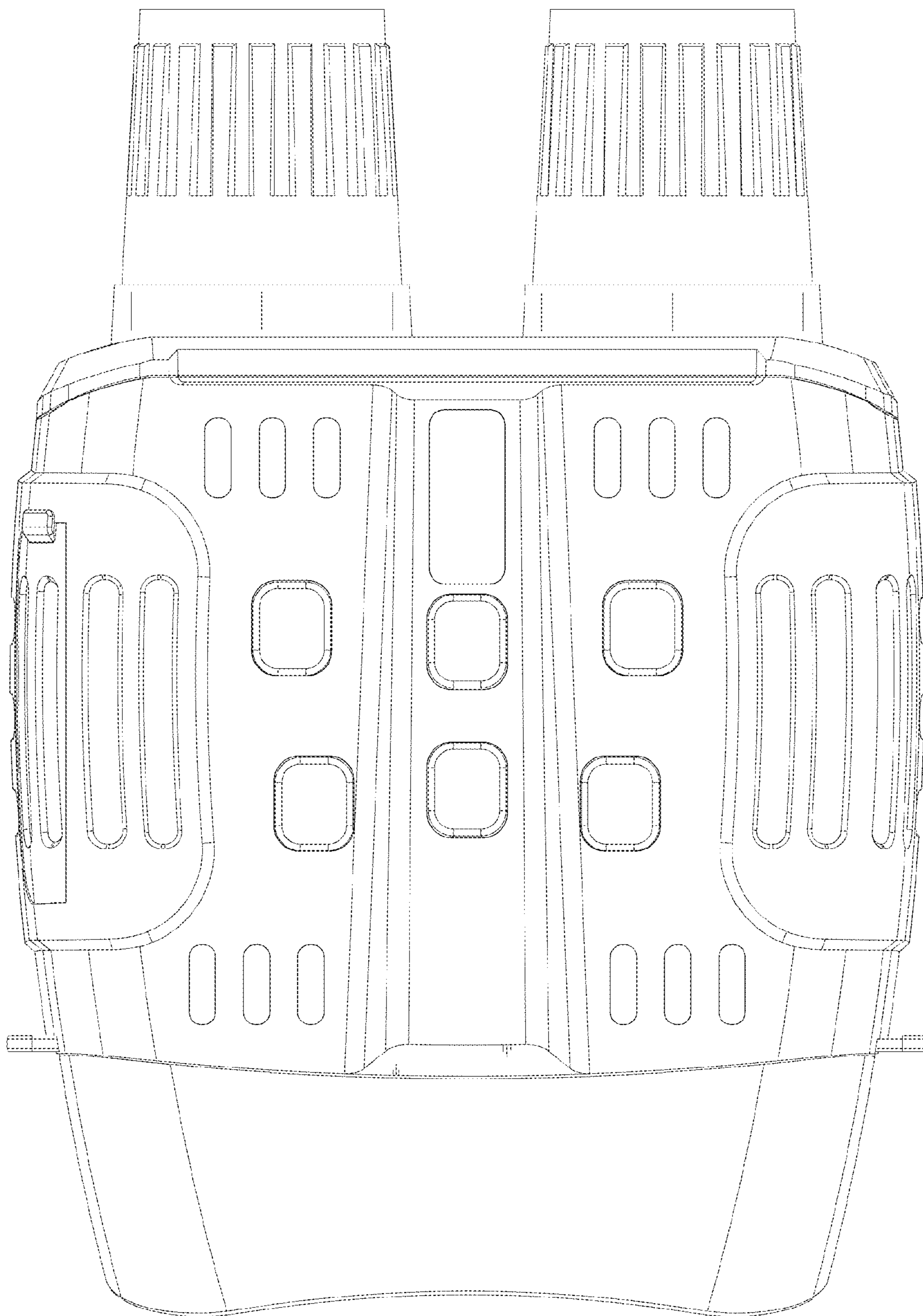


FIG. 6

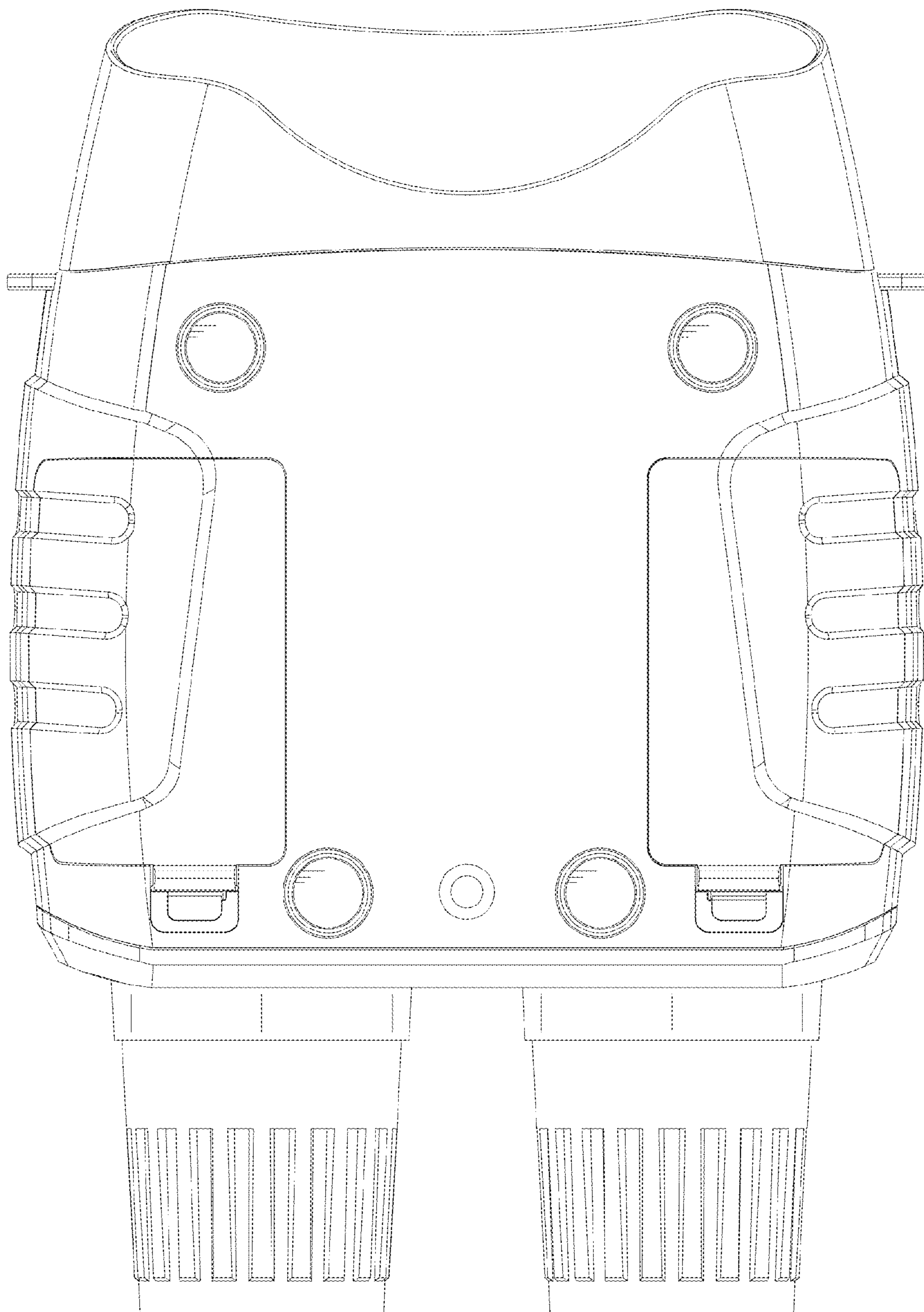


FIG. 7

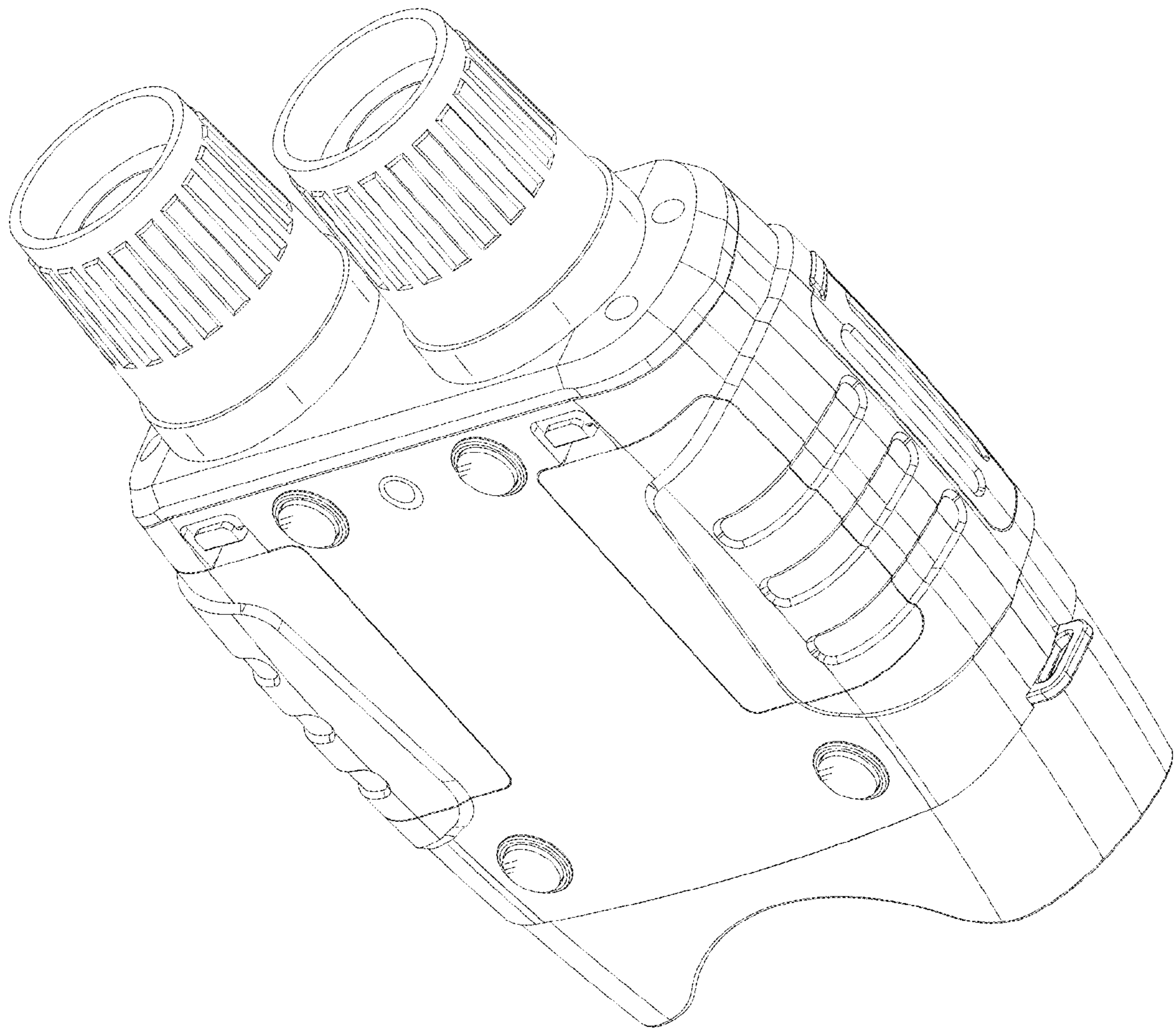


FIG. 8