



US00D987699S

(12) **United States Design Patent**
Chen et al.

(10) **Patent No.:** **US D987,699 S**
(45) **Date of Patent:** **** May 30, 2023**

- (54) **DELIVERY ROBOT**
- (71) Applicant: **SHENZHEN PUDU TECHNOLOGY CO., LTD.**, Guangdong (CN)
- (72) Inventors: **Peng Chen**, Guangdong (CN); **Tao Zhang**, Guangdong (CN)
- (73) Assignee: **SHENZHEN PUDU TECHNOLOGY CO., LTD.**, Shenzhen (CN)

- D840,453 S * 2/2019 Yoo B25J 11/009 D15/199
- D883,354 S * 5/2020 Jafarzadeh D15/199
- D884,043 S * 5/2020 Song D15/199
- D934,933 S * 11/2021 Cho D15/199
- D939,602 S * 12/2021 Wang B25J 11/009 D15/199
- D941,380 S * 1/2022 Koshiishi D15/199
- D944,305 S * 2/2022 Liu D15/199
- D959,528 S * 8/2022 Chen D15/199
- D962,319 S * 8/2022 Wen D15/199

- (**) Term: **15 Years**
- (21) Appl. No.: **29/782,734**

* cited by examiner

Primary Examiner — Michael C Stout
Assistant Examiner — Fritzgerald L Butac

- (22) Filed: **May 8, 2021**
- (30) **Foreign Application Priority Data**

(57) **CLAIM**

The ornamental design for a delivery robot, as shown and described.

Nov. 9, 2020 (CN) 202030675452.6

DESCRIPTION

- (51) **LOC (14) Cl.** **15-99**
- (52) **U.S. Cl.**
USPC **D15/199**
- (58) **Field of Classification Search**
USPC D15/199; D21/578-580, 587; D32/21; D34/34
CPC B25J 11/008; B25J 5/007; G05D 1/0214; G05D 1/0248; G05D 1/0274; G05D 2201/0211
See application file for complete search history.

FIG. 1 is a top, front and right side perspective view of a delivery robot showing our new design;
 FIG. 2 is a bottom, rear and left side perspective view thereof;
 FIG. 3 is a front elevational view thereof;
 FIG. 4 is a rear elevational view thereof;
 FIG. 5 is a left side view thereof;
 FIG. 6 is a right side view thereof;
 FIG. 7 is a top plan view thereof;
 FIG. 8 is a bottom plan view thereof;
 FIG. 9 is a top, rear and left side perspective view showing the delivery robot in a first use state; and,
 FIG. 10 is a top, rear and left side perspective view showing the delivery robot in a second use state.
 The broken lines in the drawings illustrate portions of the delivery robot which form no part of the claimed design.

- (56) **References Cited**
U.S. PATENT DOCUMENTS

- D506,298 S * 6/2005 Schmitt D32/21
- D508,593 S * 8/2005 Besostri D32/21
- D802,040 S * 11/2017 Canoso D15/199
- D822,739 S * 7/2018 Kato D15/199
- D823,366 S * 7/2018 Kato D15/199

1 Claim, 10 Drawing Sheets

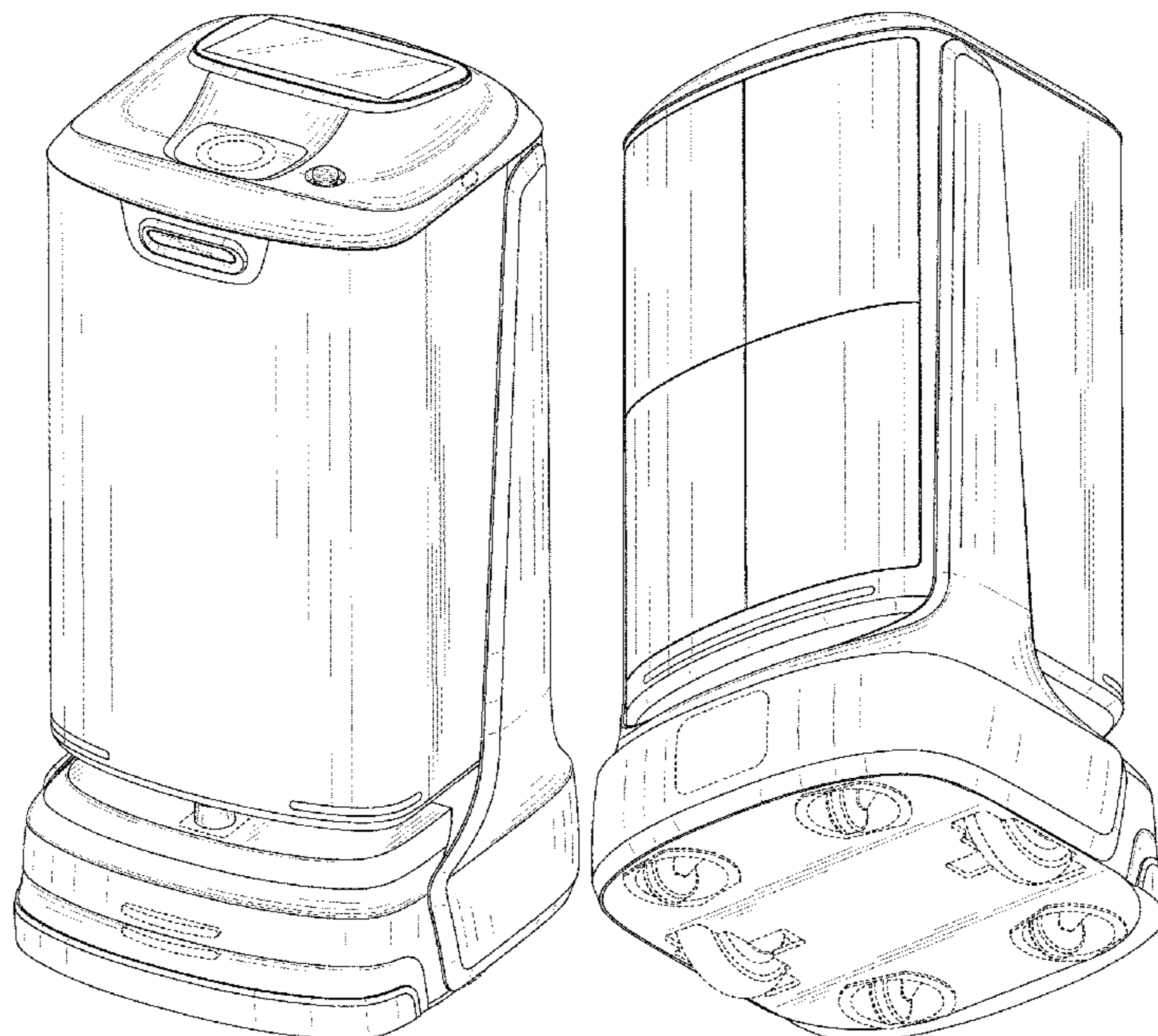




FIG. 1

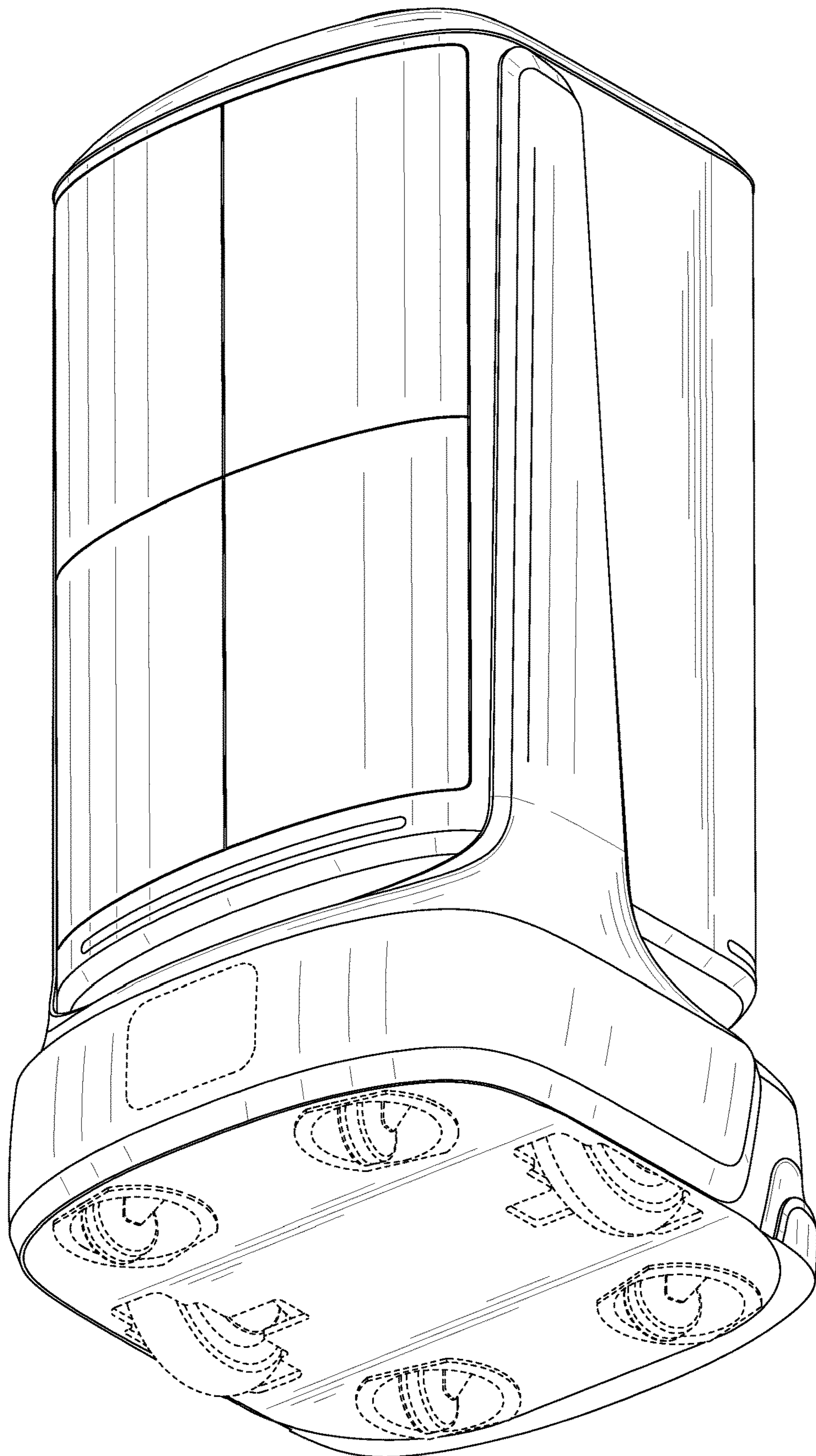


FIG. 2

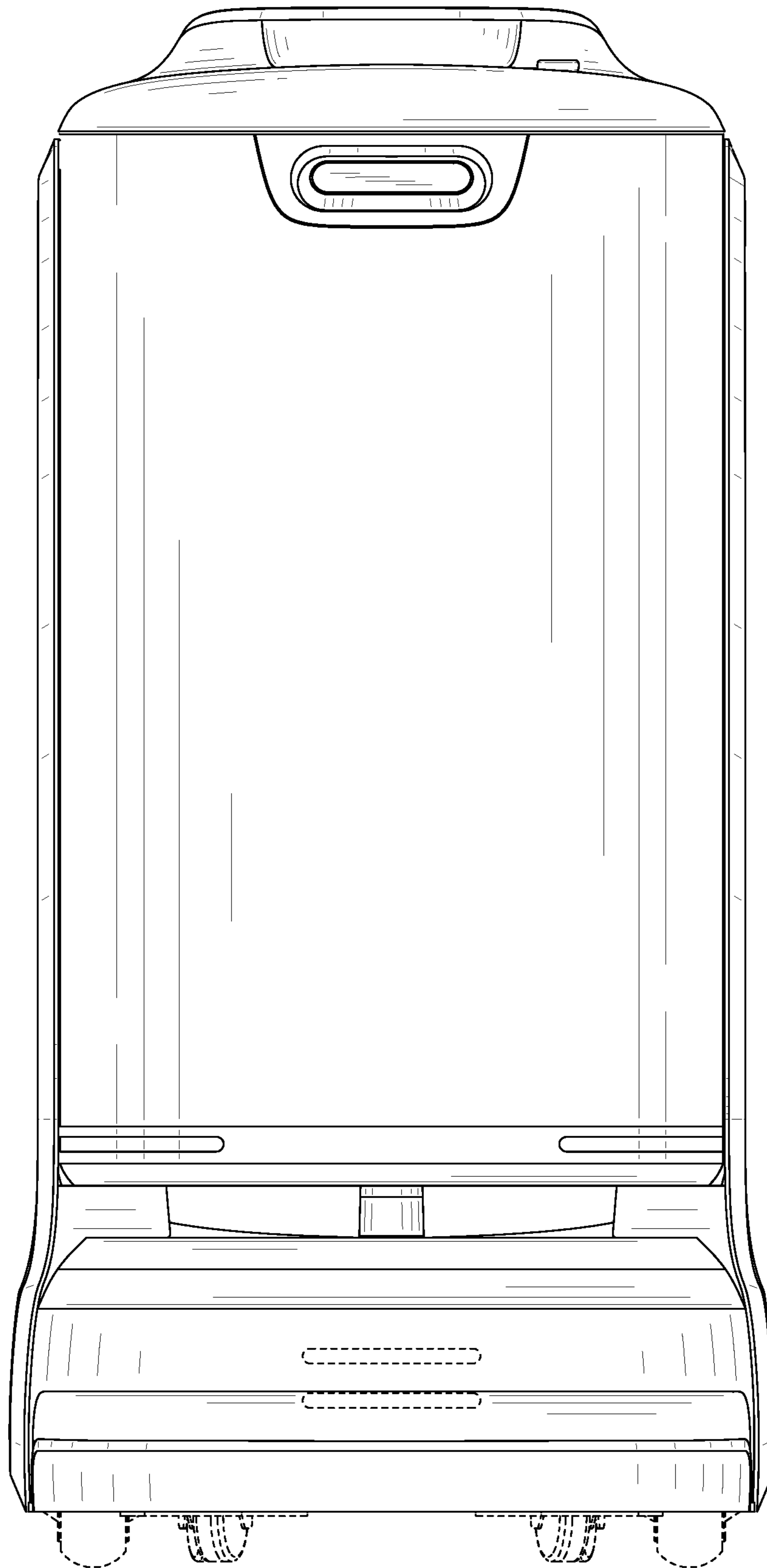


FIG. 3

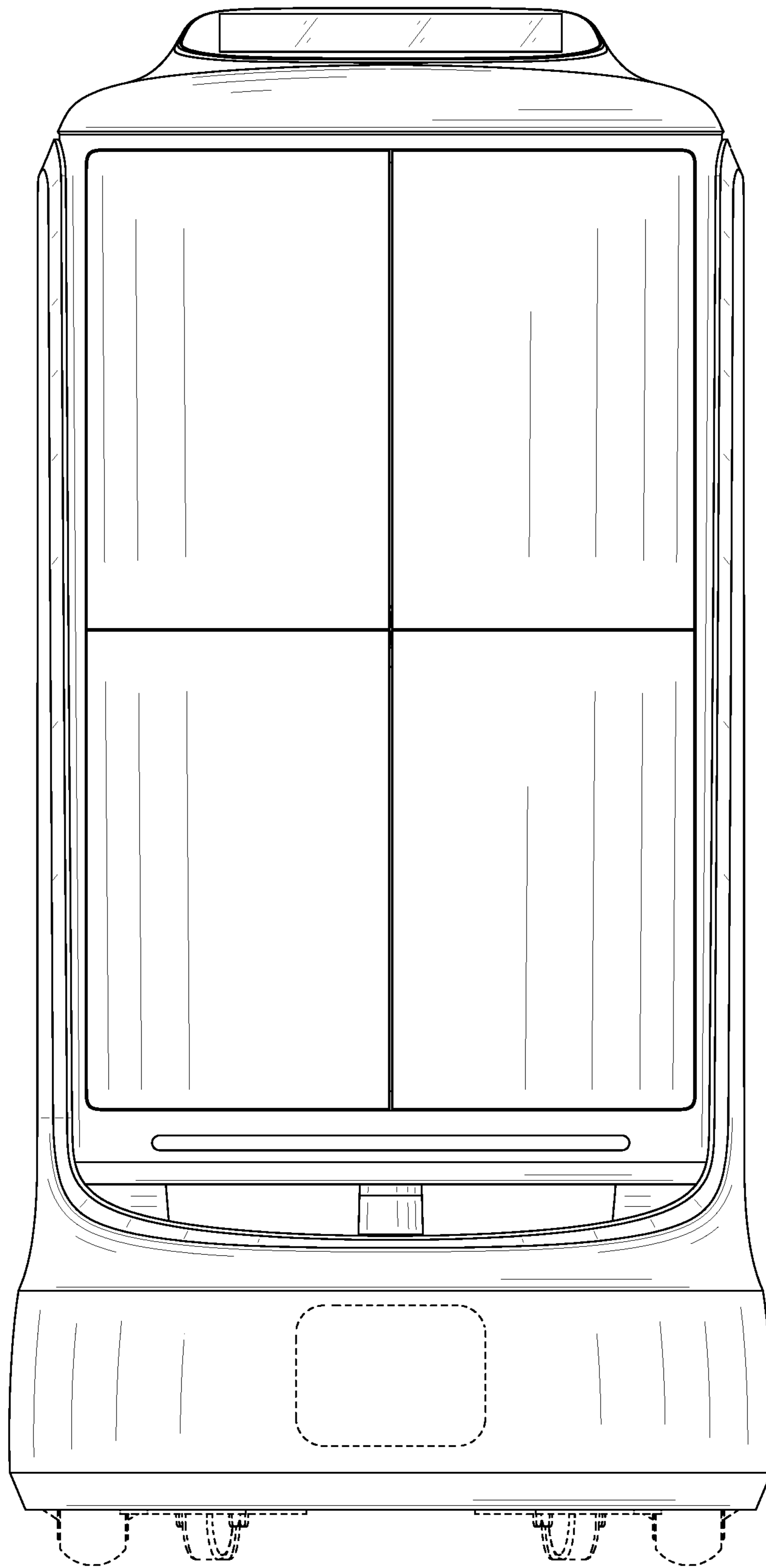


FIG. 4

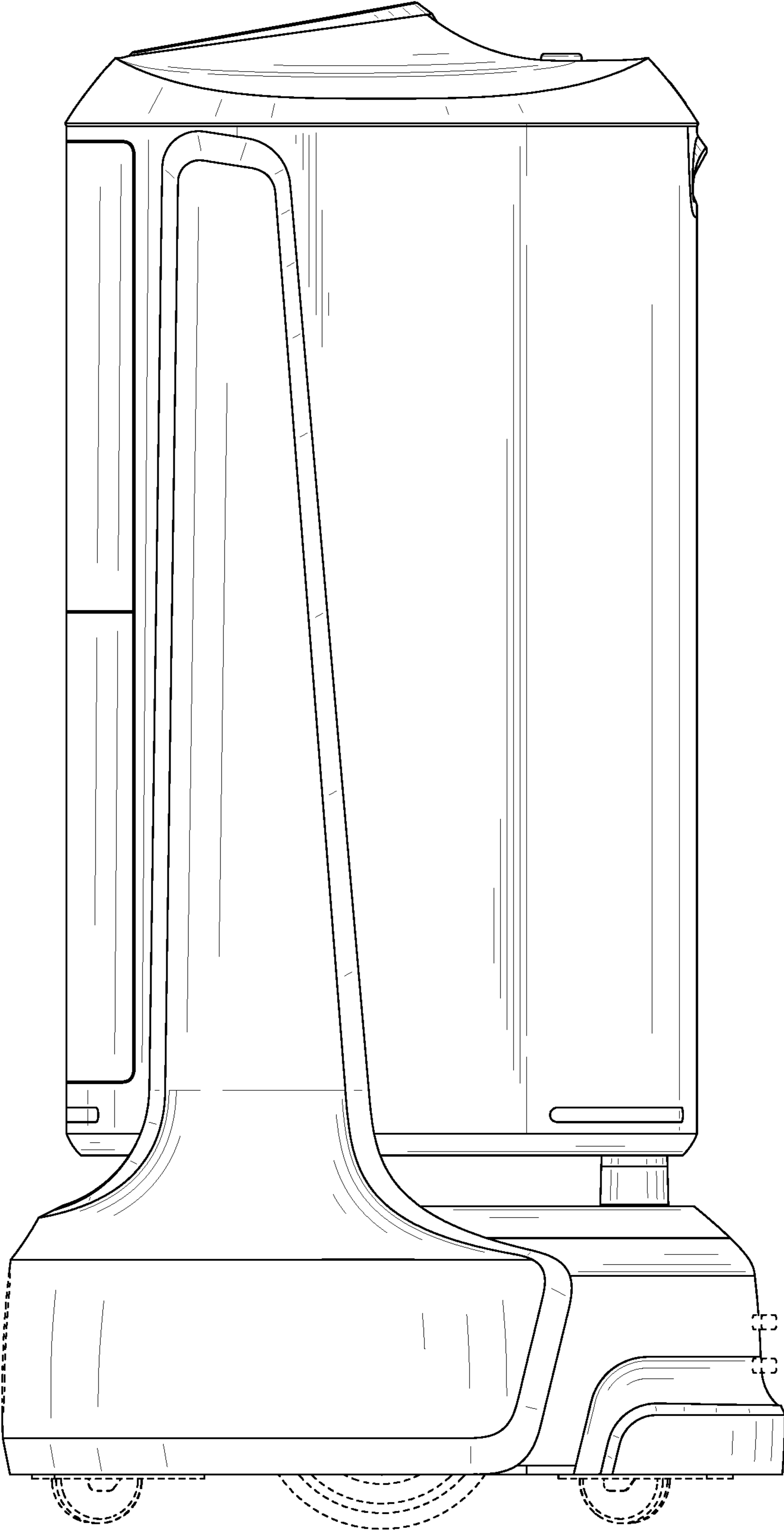


FIG. 5

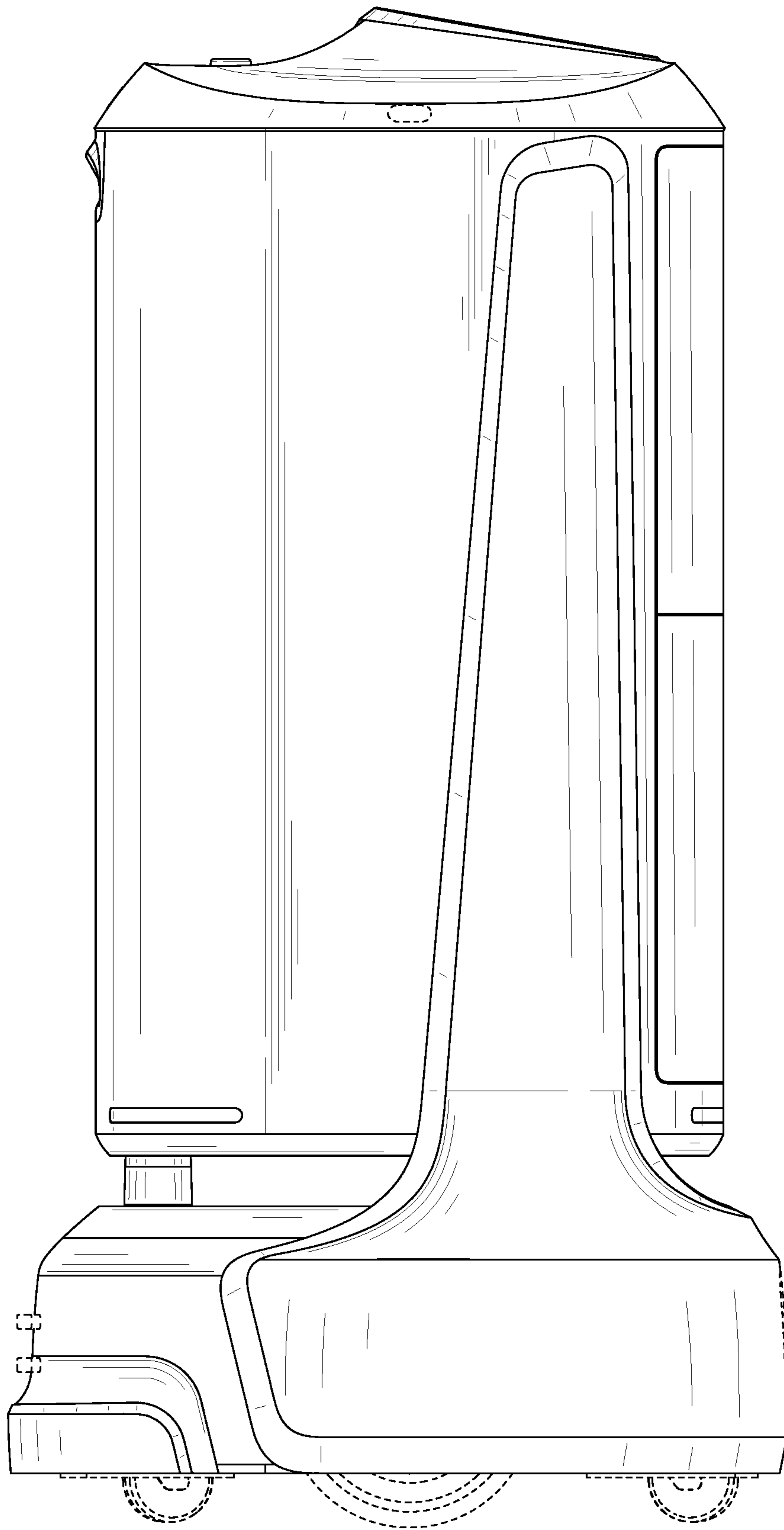


FIG. 6

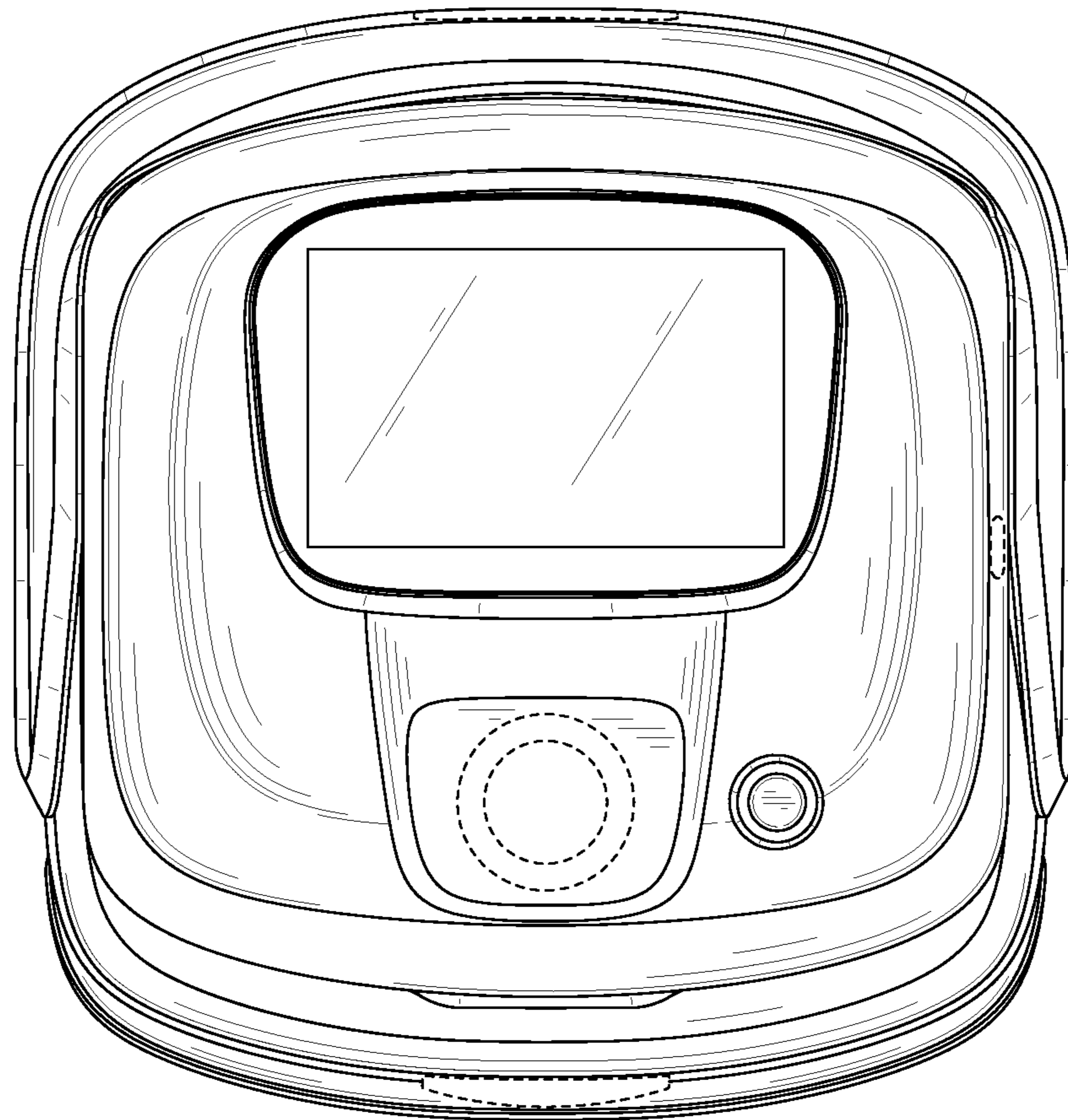


FIG. 7

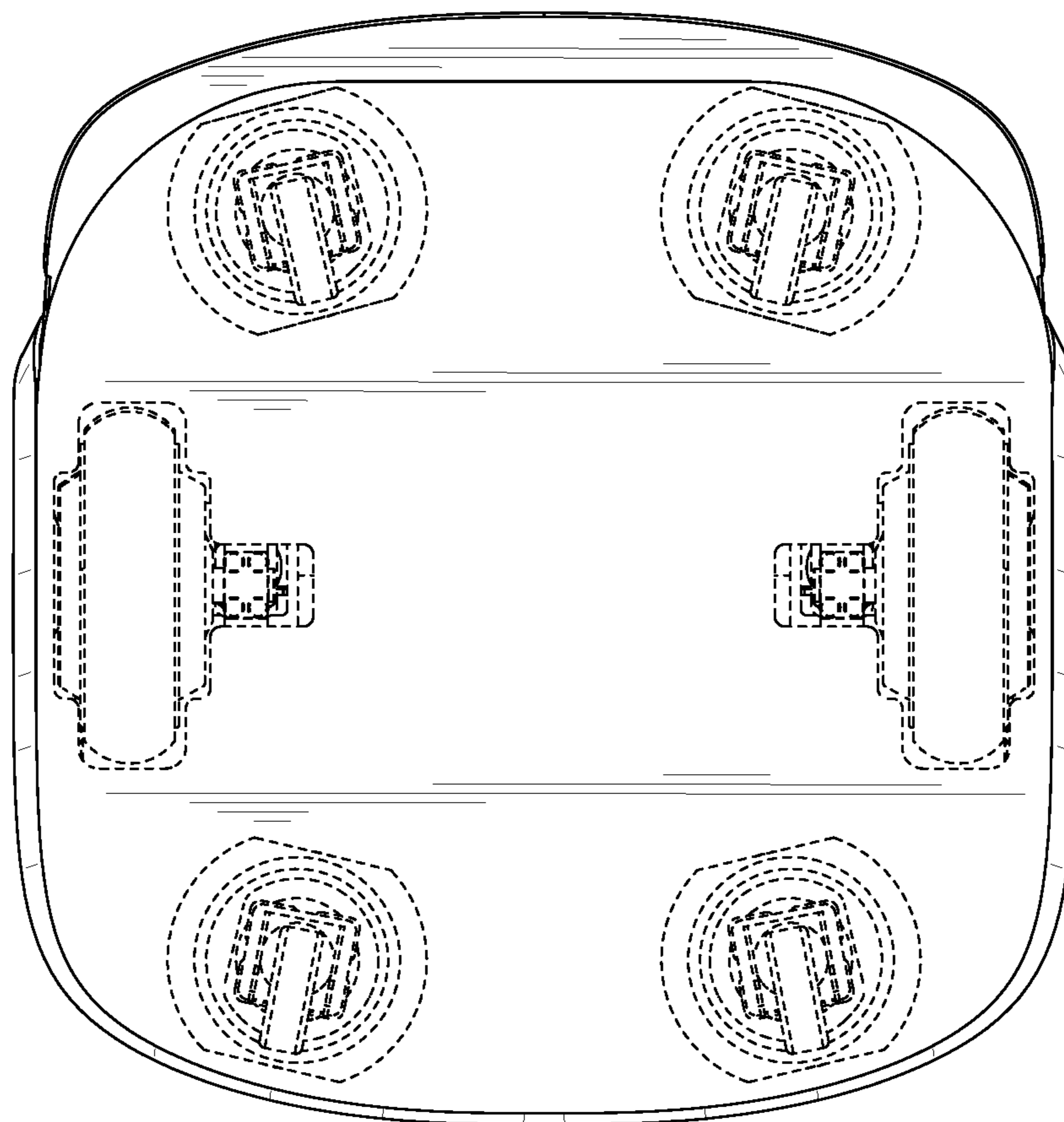


FIG. 8

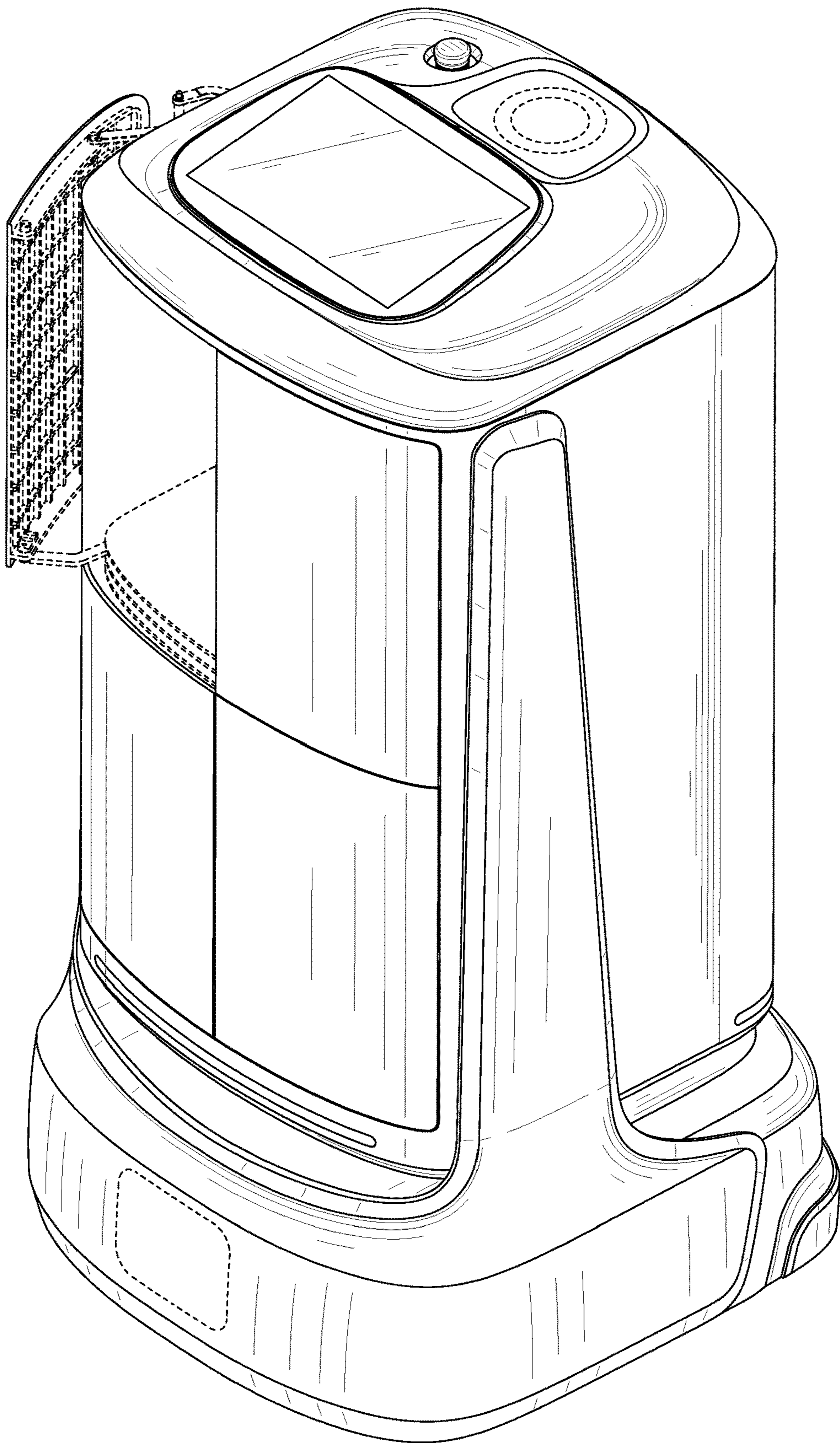


FIG. 9

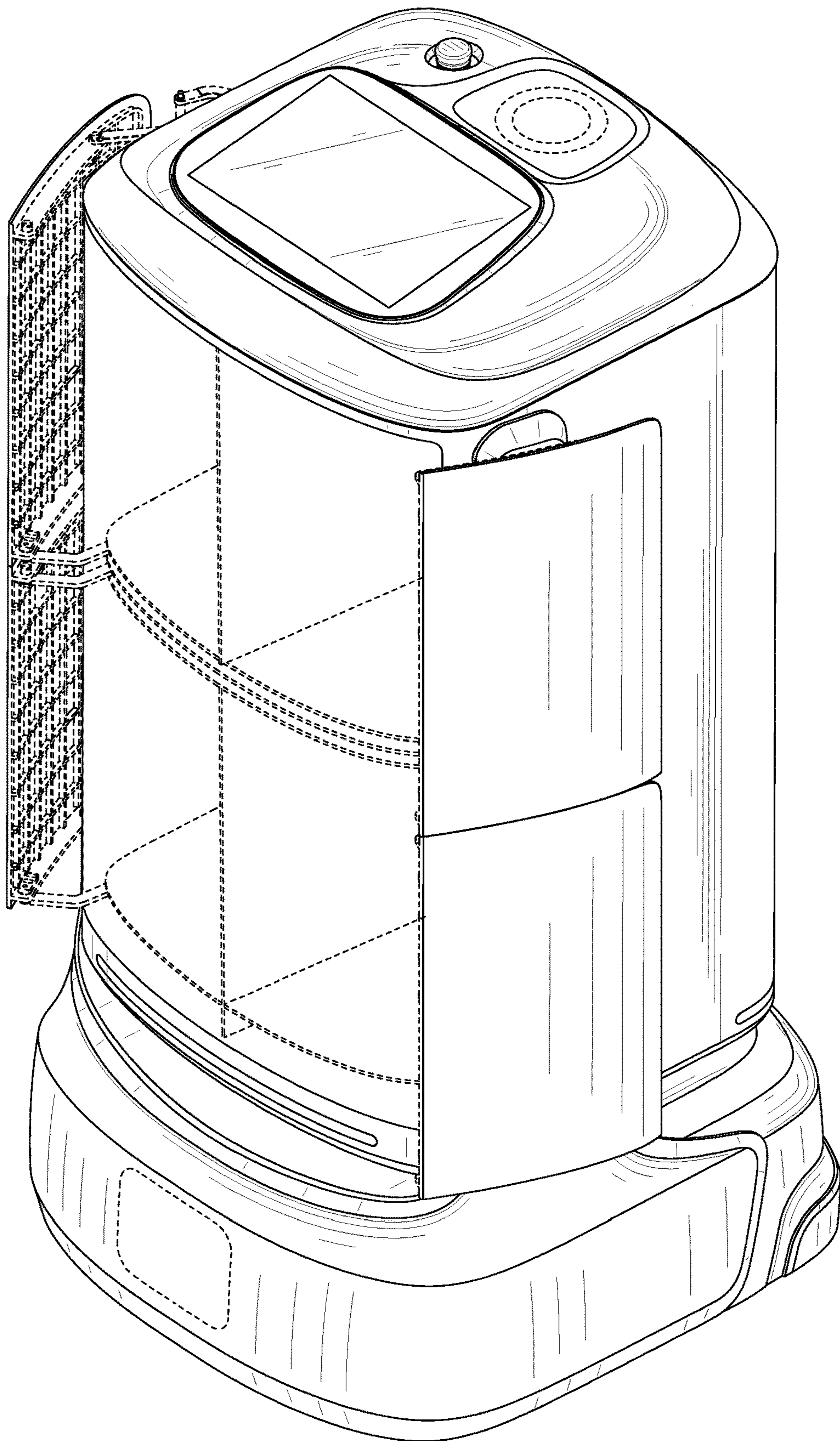


FIG. 10