



US00D987698S

(12) **United States Design Patent** (10) **Patent No.:** **US D987,698 S**
Levin et al. (45) **Date of Patent:** **** May 30, 2023**

(54) **ROBOTIC DEVICE**
(71) Applicant: **XACT ROBOTICS LTD.**, Caesarea (IL)
(72) Inventors: **Eli Levin**, Atlit (IL); **Ben Galili**, Atlit (IL); **Yoav Tikochinsky**, Tel Aviv (IL); **Eran Zur**, Karkur (IL)
(73) Assignee: **XACT ROBOTICS LTD.**, Caesarea (IL)
(**) Term: **15 Years**
(21) Appl. No.: **29/756,559**
(22) Filed: **Oct. 29, 2020**
(51) **LOC (14) Cl.** **15-99**
(52) **U.S. Cl.**
USPC **D15/199**
(58) **Field of Classification Search**
USPC D15/140, 143, 199; D21/369, 578, 580, D21/581, 582, 583, 621, 622; D24/107, D24/137, 138, 140, 146, 150, 232
CPC .. B60T 17/223; G01M 17/0074; A61B 34/30; A61B 90/30; A61B 2034/302; B25J 9/0087
See application file for complete search history.

D816,218 S * 4/2018 Kambe D24/137
D846,127 S * 4/2019 Yang D24/185
D896,390 S * 9/2020 Scott D24/185
D908,881 S * 1/2021 Dacosta D24/158
D910,847 S * 2/2021 Shelton, IV D24/145
D914,192 S * 3/2021 Lundh D24/107
D928,951 S * 8/2021 Verschoor D24/137

OTHER PUBLICATIONS

Xact ACE; posted on xactrobotics.com; no posted date given; no production date given; [online]; [site visited Jan. 24, 2022]; available from internet, URL: <https://xactrobotics.com/> (Year: 2022).*

* cited by examiner

Primary Examiner — Michael C Stout
Assistant Examiner — Fritzgerald L Butac
(74) *Attorney, Agent, or Firm* — The Roy Gross Law Firm, LLC; Roy Gross

(57) **CLAIM**

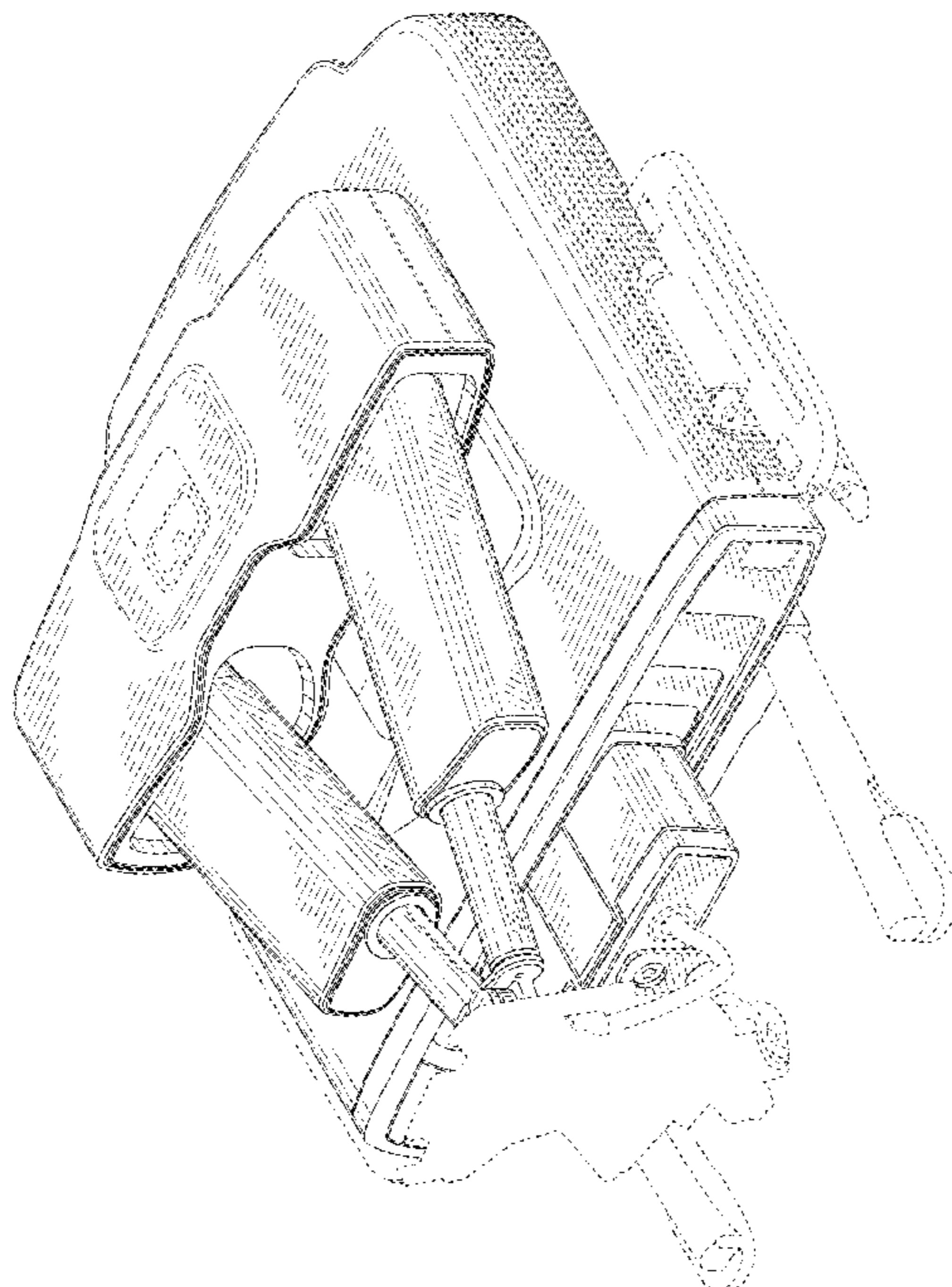
The ornamental design for a robotic device, as shown and described.

DESCRIPTION

FIG. 1 is a isometric view of a robotic device in accordance with the new design;
FIG. 2 is a back view thereof;
FIG. 3 is a front view thereof;
FIG. 4 is a side view thereof;
FIG. 5 is a side view thereof;
FIG. 6 is a top view thereof; and,
FIG. 7 is a bottom view thereof.
The broken lines in FIGS. 1-7 are for the purpose of showing environmental structure and form no part of the claimed design.

1 Claim, 7 Drawing Sheets

(56) **References Cited**
U.S. PATENT DOCUMENTS
D416,088 S * 11/1999 Krauter D24/137
D489,816 S * 5/2004 Ross D24/107
D532,906 S * 11/2006 Kim D24/152
D590,934 S * 4/2009 Randolph D24/107
D663,424 S * 7/2012 Gilbert D24/177
D688,803 S * 8/2013 Gilbert D24/177



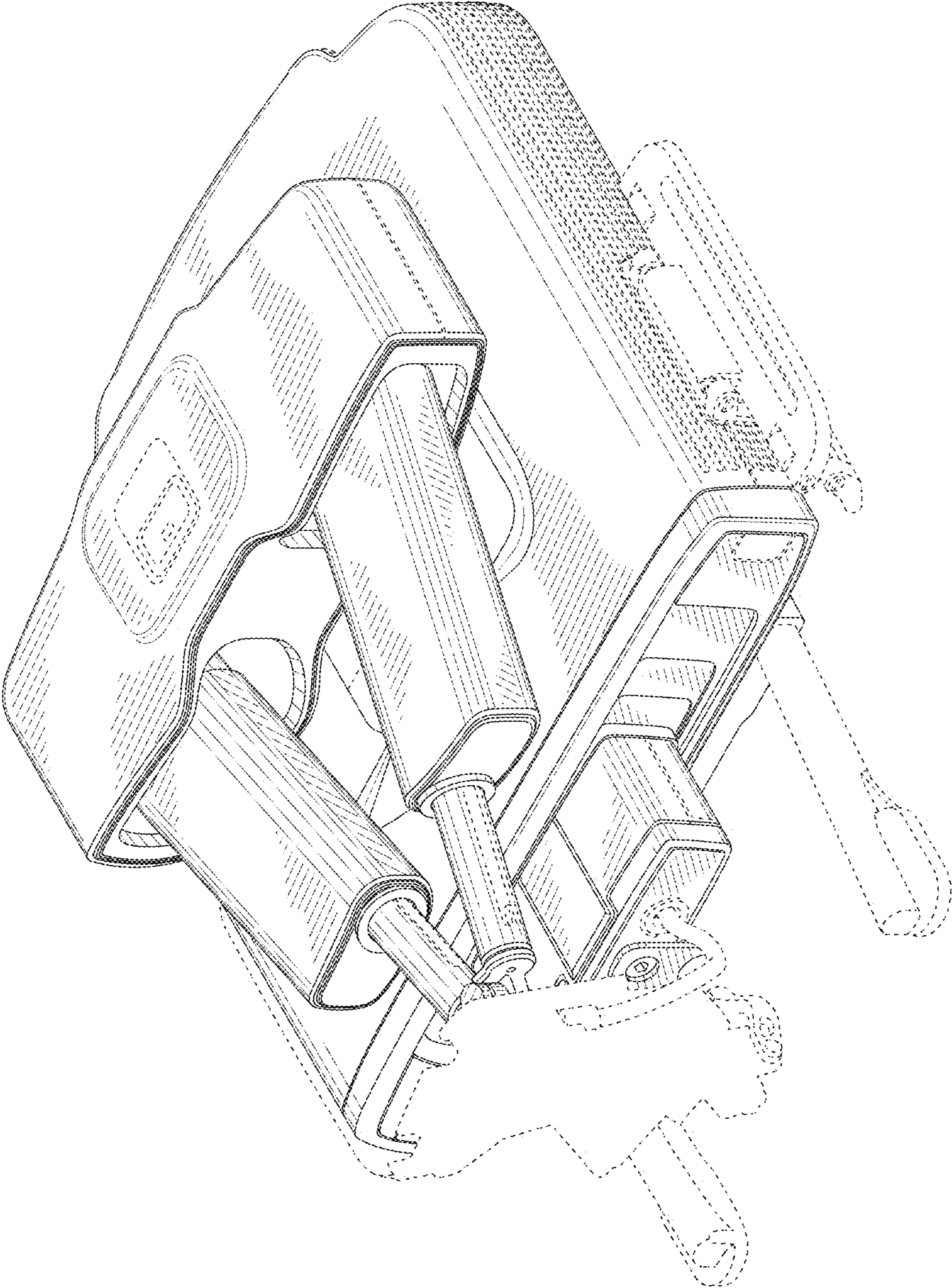


FIG. 1

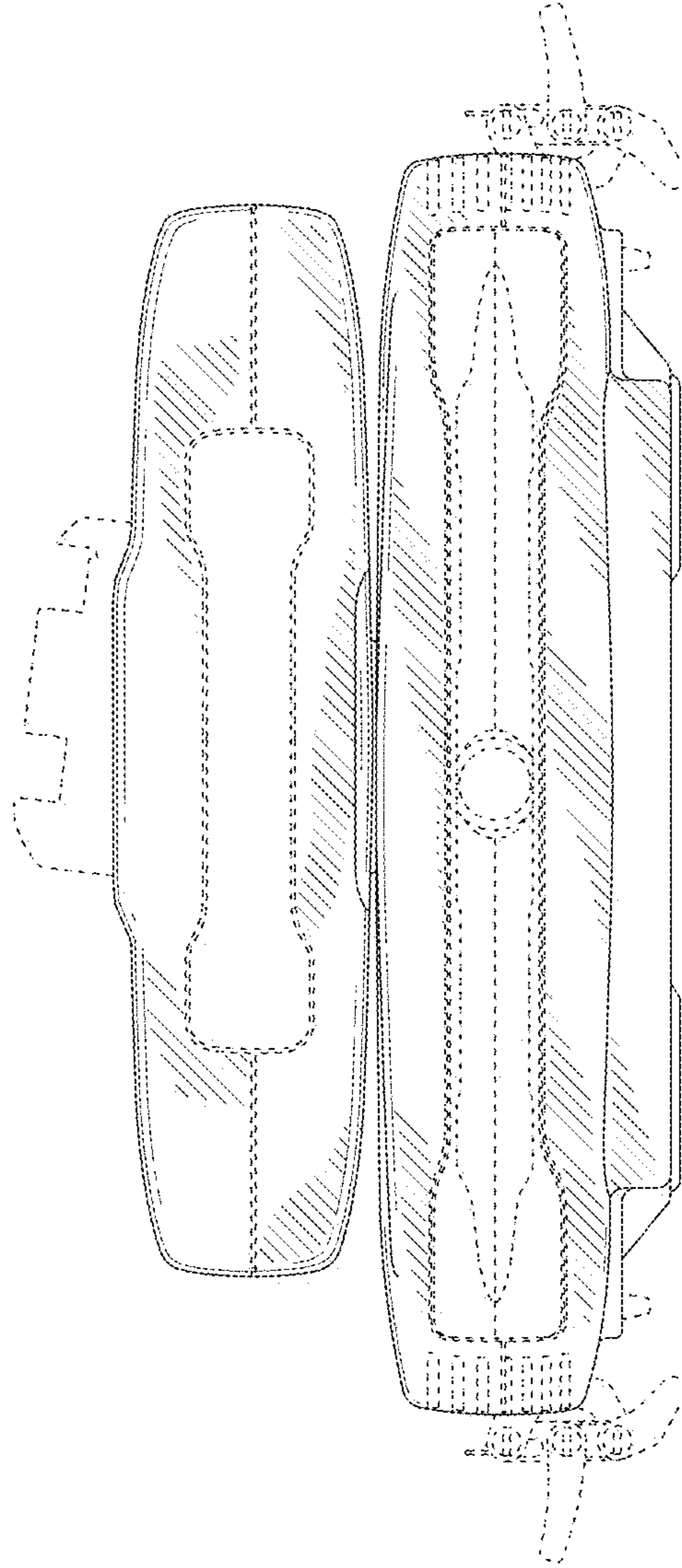


FIG. 2

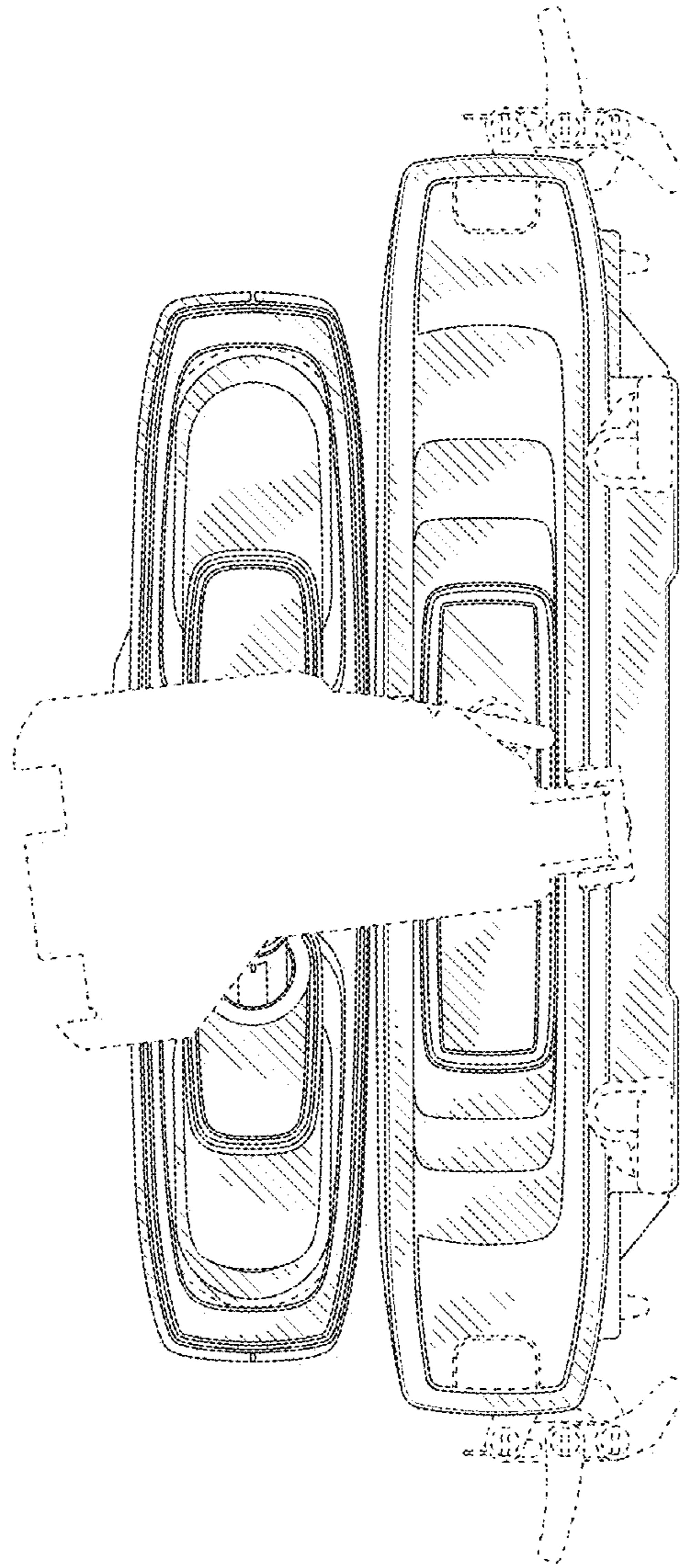


FIG. 3

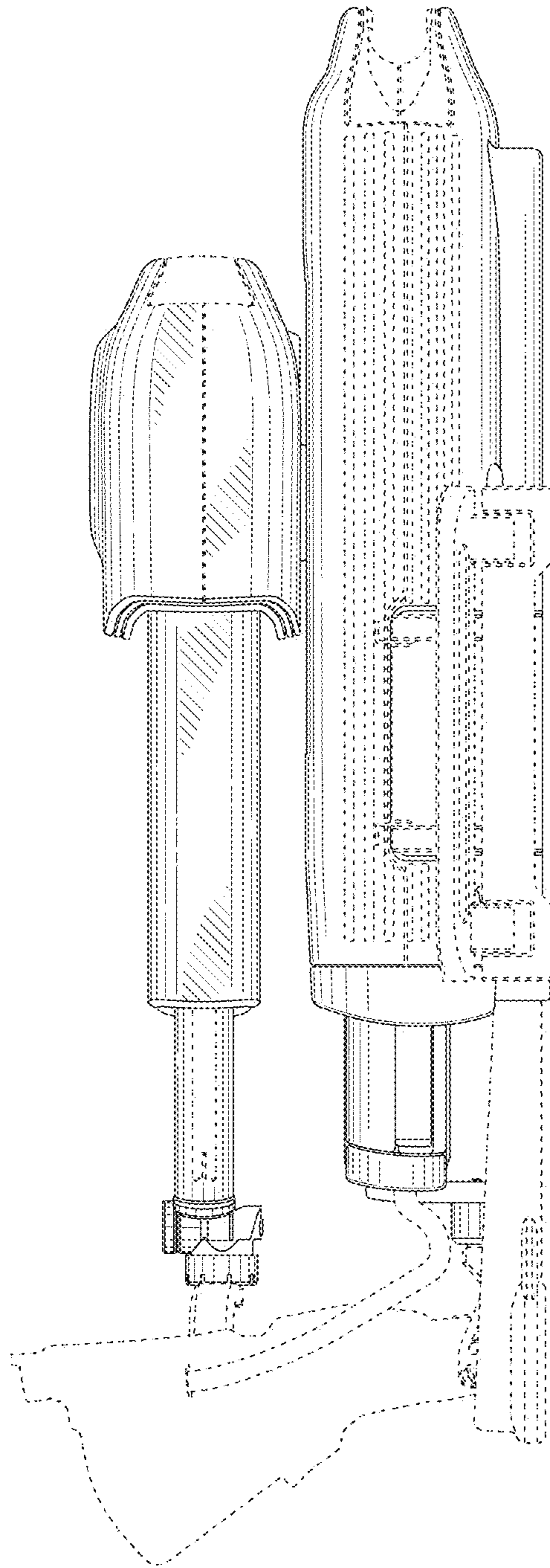


FIG. 4

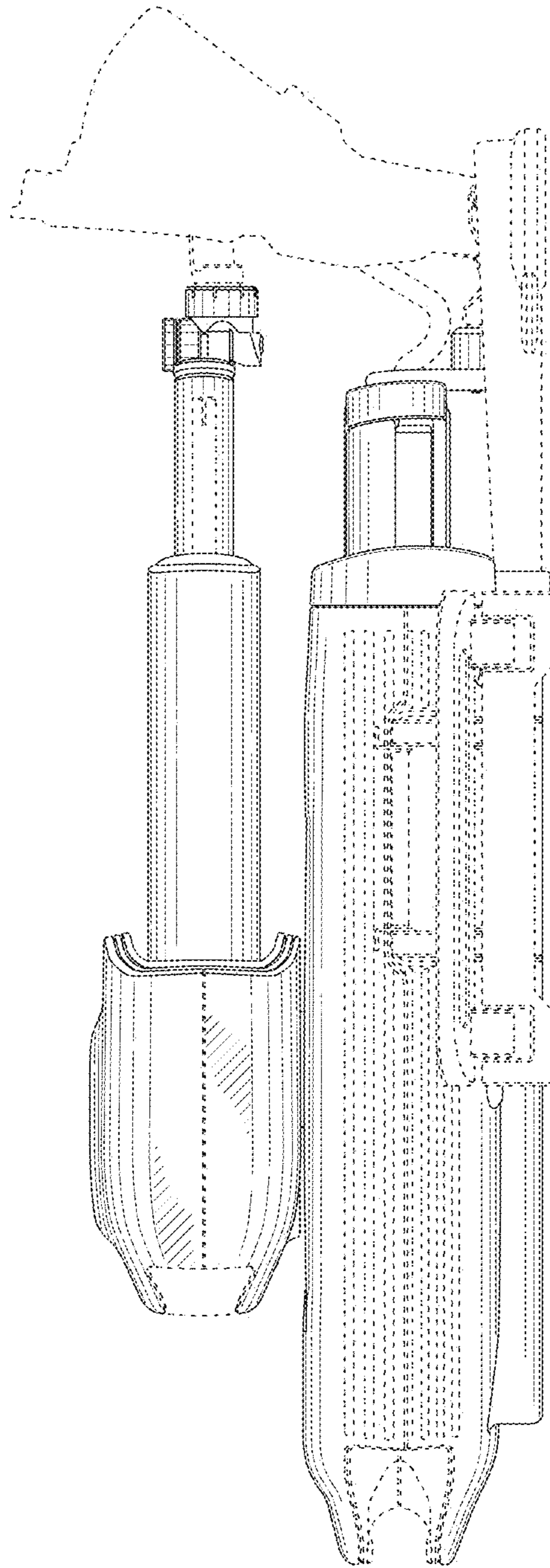


FIG. 5

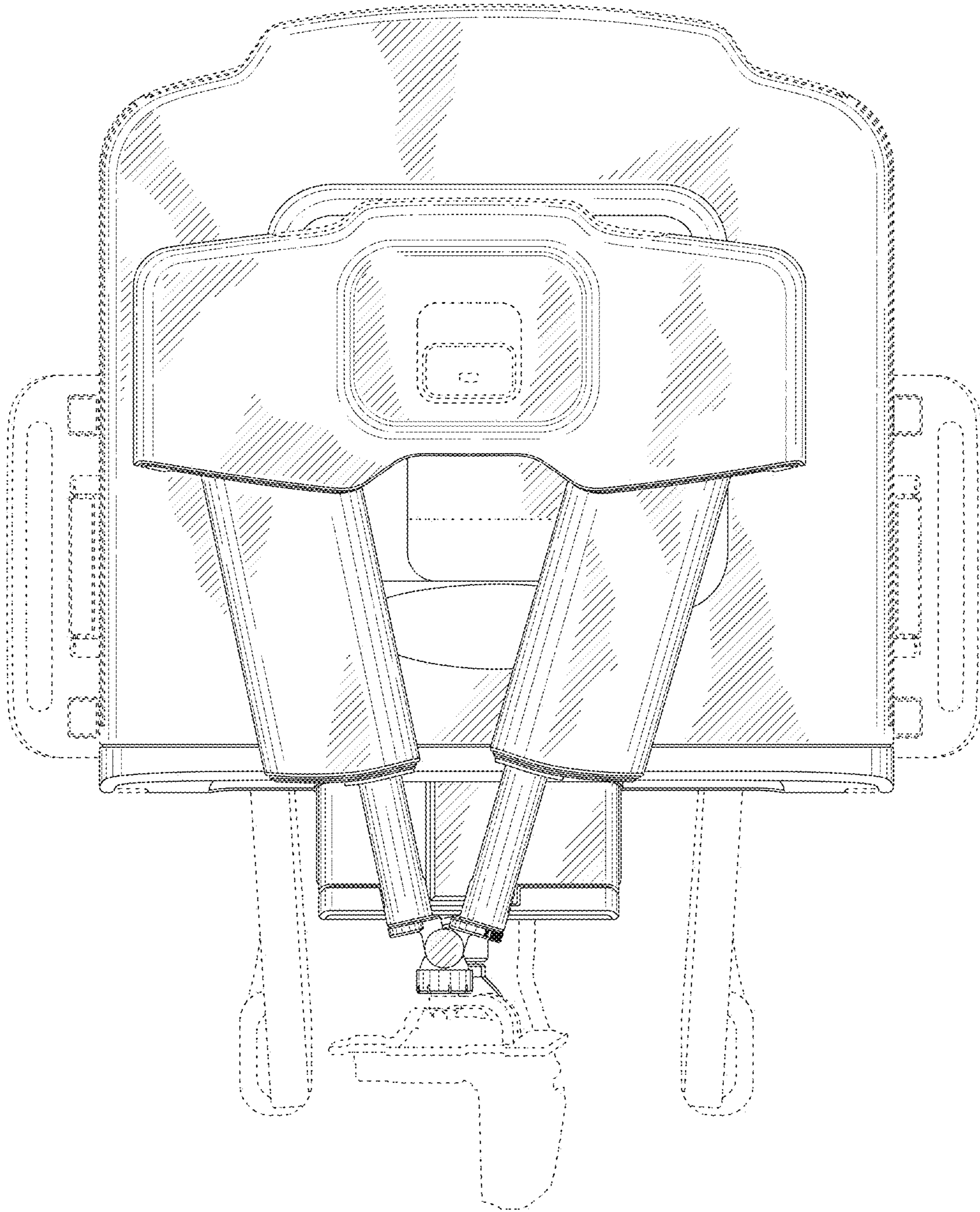


FIG. 6

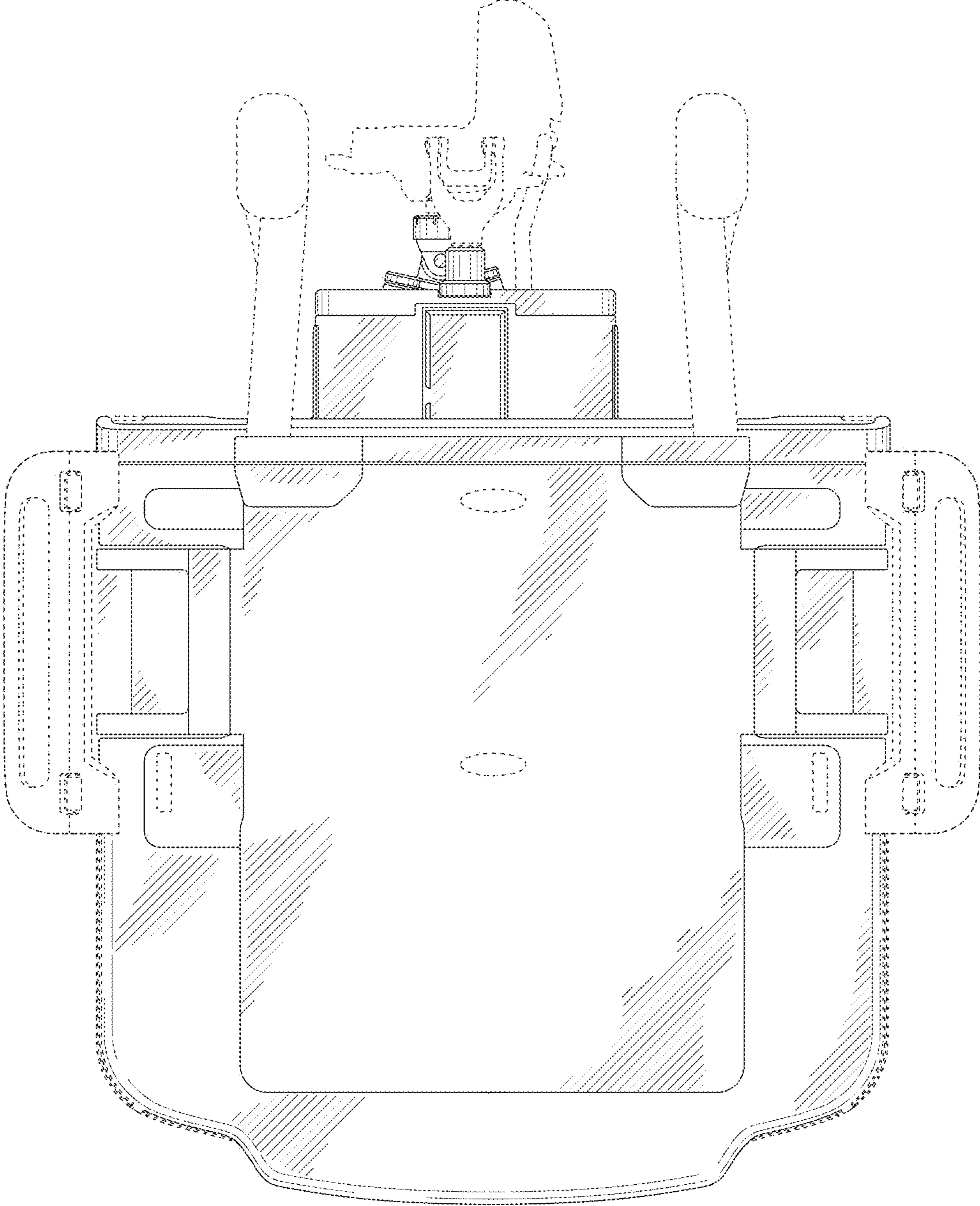


FIG. 7