



US00D987695S

(12) **United States Design Patent**
Sherrill

(10) **Patent No.:** **US D987,695 S**

(45) **Date of Patent:** **** May 30, 2023**

(54) **CLAY EXTRUDER**

(71) Applicant: **Michael Sherrill**, Bat Cave, NC (US)

(72) Inventor: **Michael Sherrill**, Bat Cave, NC (US)

(**) Term: **15 Years**

(21) Appl. No.: **29/711,397**

(22) Filed: **Oct. 30, 2019**

(51) **LOC (14) Cl.** **15-09**

(52) **U.S. Cl.**
USPC **D15/135**

(58) **Field of Classification Search**
USPC D15/135, 136, 139; D25/102; D21/528;
D8/343, 347, 68, 61, 30
CPC ... B01F 27/2123; B29C 48/022; B29C 48/11;
B29C 48/362
See application file for complete search history.

D539,314 S * 3/2007 Buies D15/136
D744,015 S * 11/2015 Leopold D15/135
D747,923 S * 1/2016 Cornu D7/378
D758,462 S * 6/2016 Bell D15/135
D786,950 S * 5/2017 Armani D15/122
D815,161 S * 4/2018 Sakaguchi D15/135
D824,434 S * 7/2018 Scholey D15/135
D893,568 S * 8/2020 Pappas D15/138
D900,179 S * 10/2020 Yarka D15/138
D925,622 S * 7/2021 Munsch B22F 3/105
D15/122

2021/0129379 A1* 5/2021 Sherrill B29C 48/475

* cited by examiner

Primary Examiner — Michael C Stout

Assistant Examiner — Fritzgerald L Butac

(74) *Attorney, Agent, or Firm* — Coats & Bennett, PLLC

(57) **CLAIM**

The ornamental design for a clay extruder, as shown and described.

DESCRIPTION

FIG. 1 is a front view of a clay extruder in accordance with the present design.

FIG. 2 is a left side view for the clay extruder.

FIG. 3 is a right side view for the clay extruder.

FIG. 4 is a back side view for the clay extruder.

FIG. 5 is a bottom view for the clay extruder.

FIG. 6 is a top view for the clay extruder; and,

FIG. 7 is a perspective view of the clay extruder.

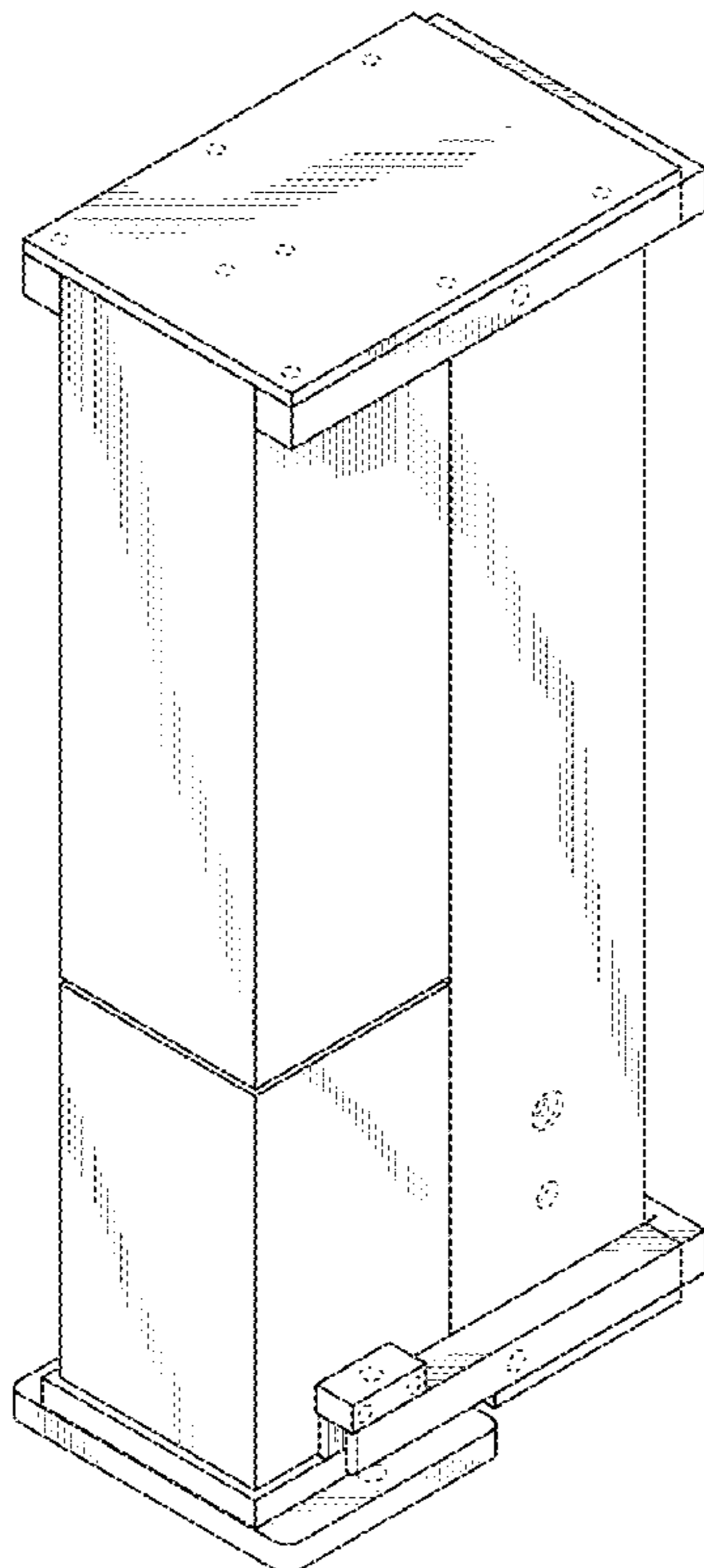
The broken lines show portions of the clay extruder that form no part of the claimed design.

1 Claim, 4 Drawing Sheets

(56) **References Cited**

U.S. PATENT DOCUMENTS

D200,480 S * 3/1965 Boggild D21/528
3,293,703 A * 12/1966 Taccone B22C 15/23
164/195
D218,708 S * 9/1970 Sloan D7/368
D224,049 S * 6/1972 Rose D8/71
D312,645 S * 12/1990 Moller D15/136
D343,177 S * 1/1994 Levy D15/135
D451,524 S * 12/2001 Morris D15/135
D502,186 S * 2/2005 McClung D15/123
D532,431 S * 11/2006 Kreuzer D15/135



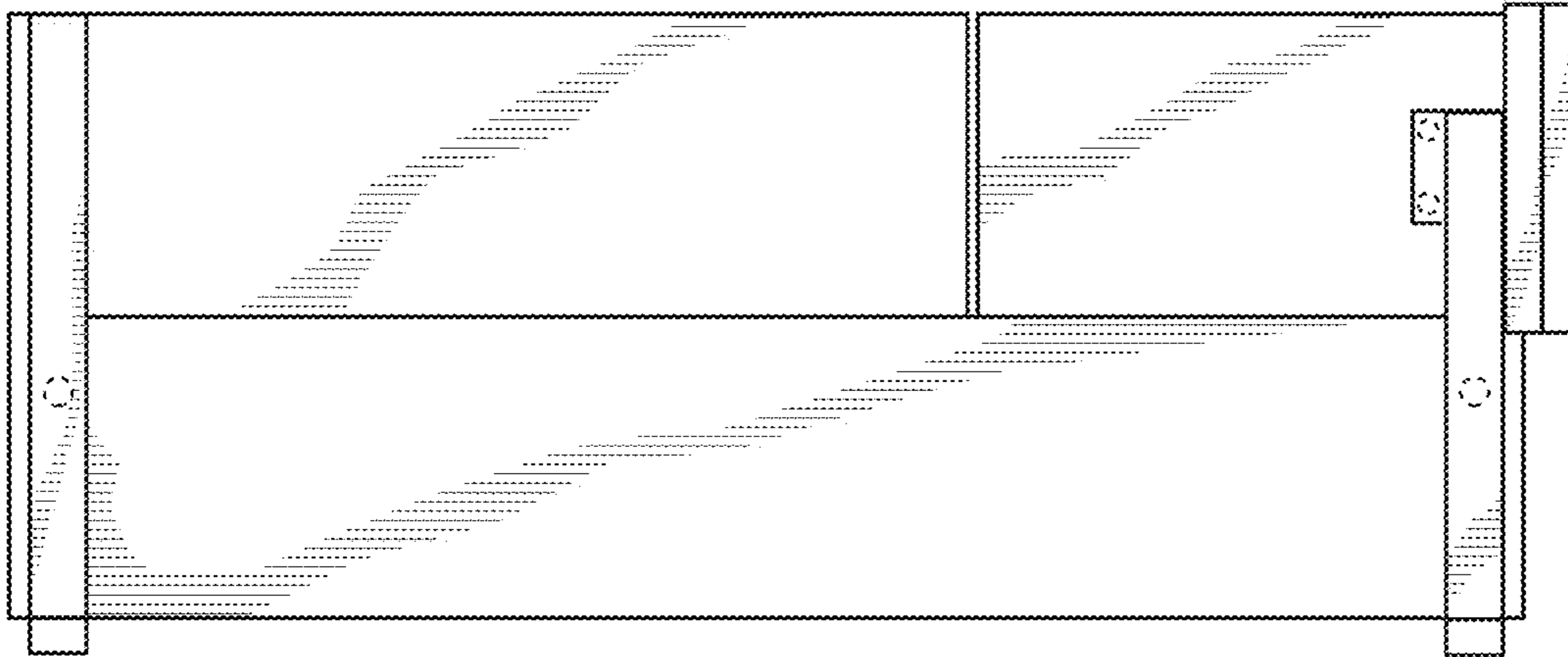


FIG. 2

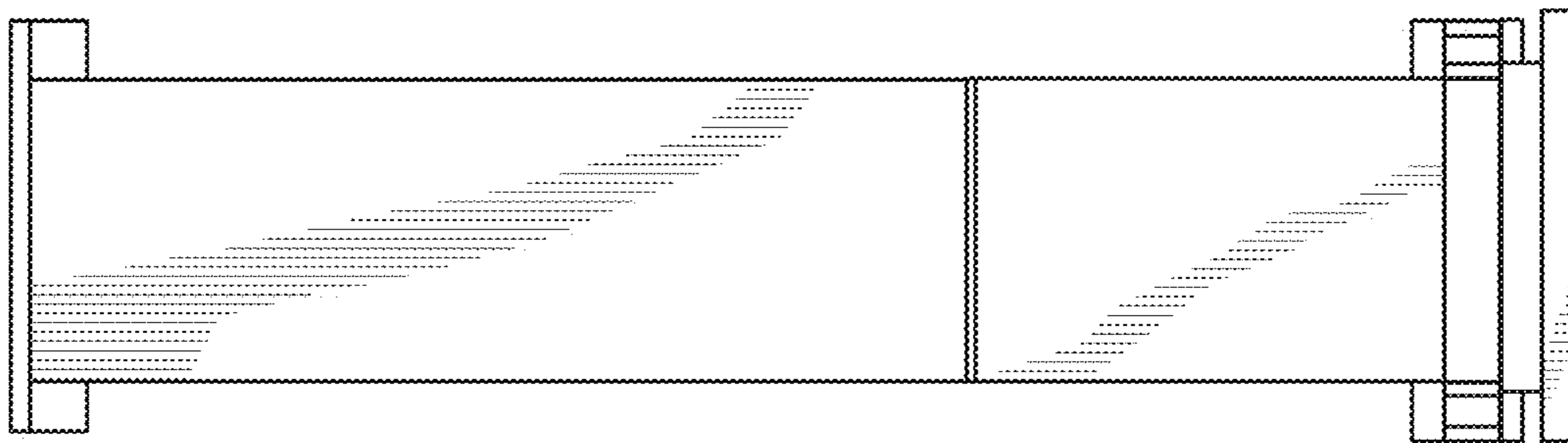


FIG. 1

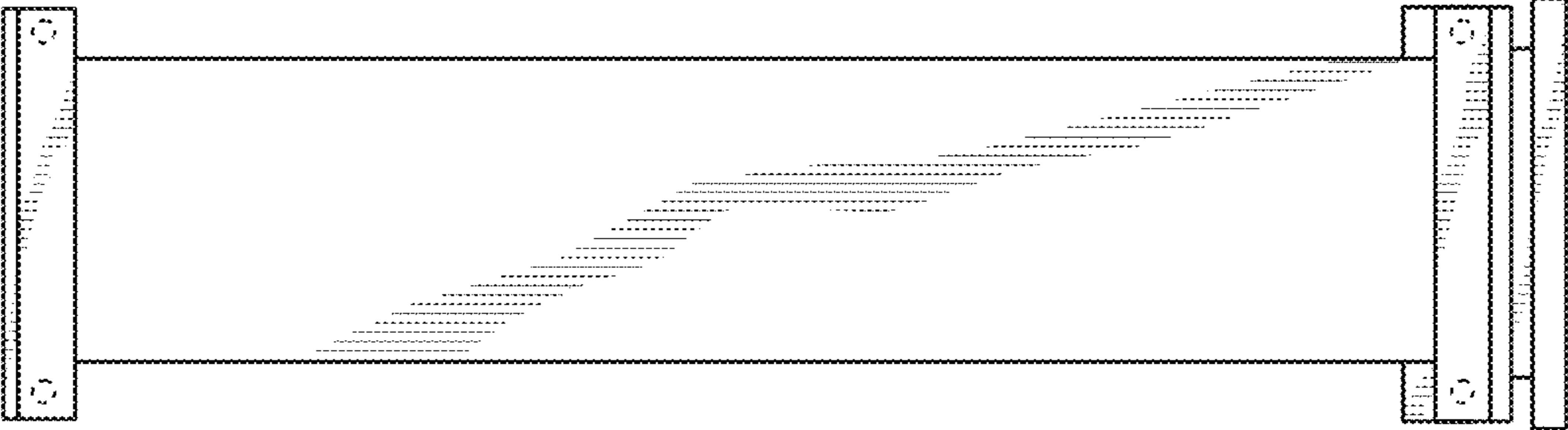


FIG. 4

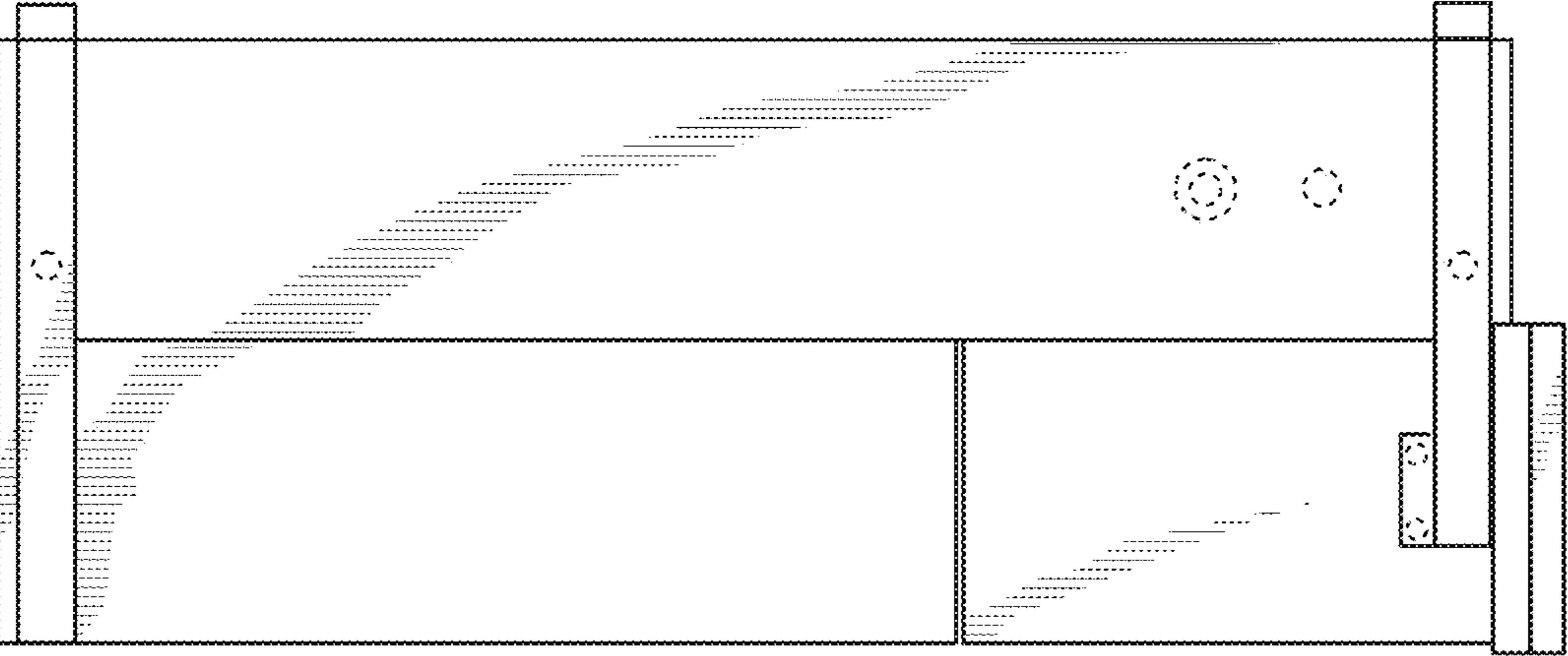


FIG. 3

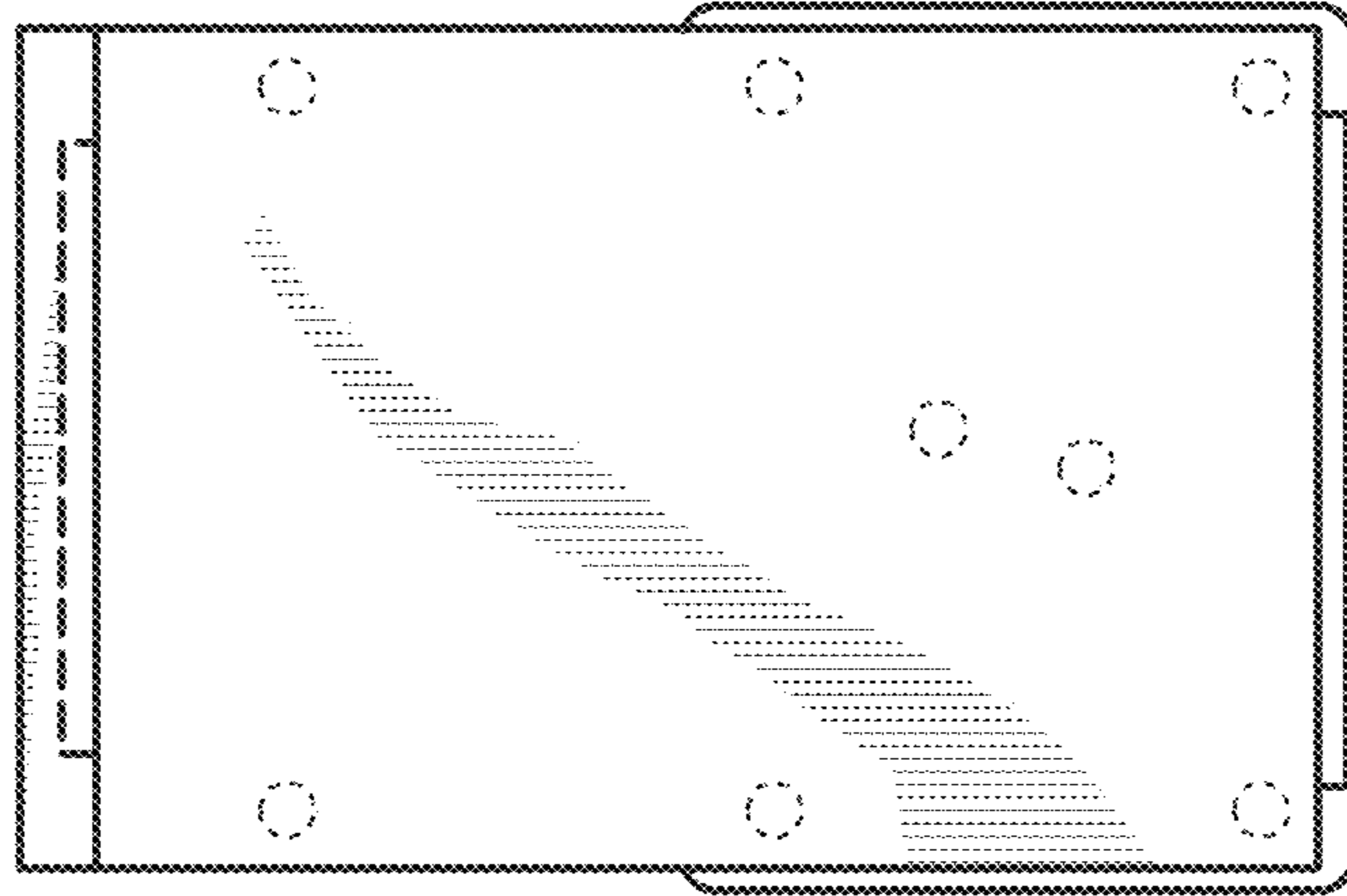


FIG. 6

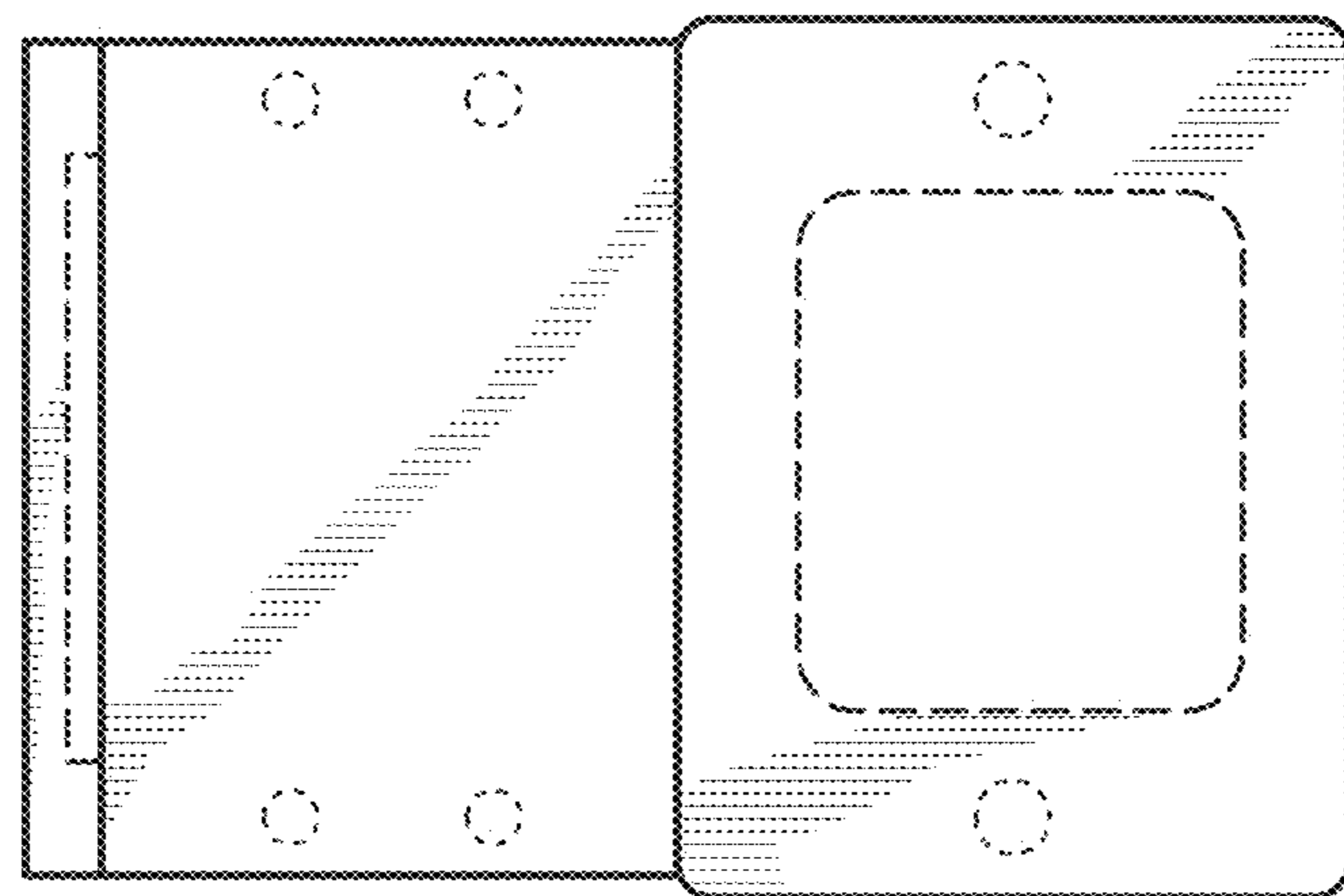


FIG. 5

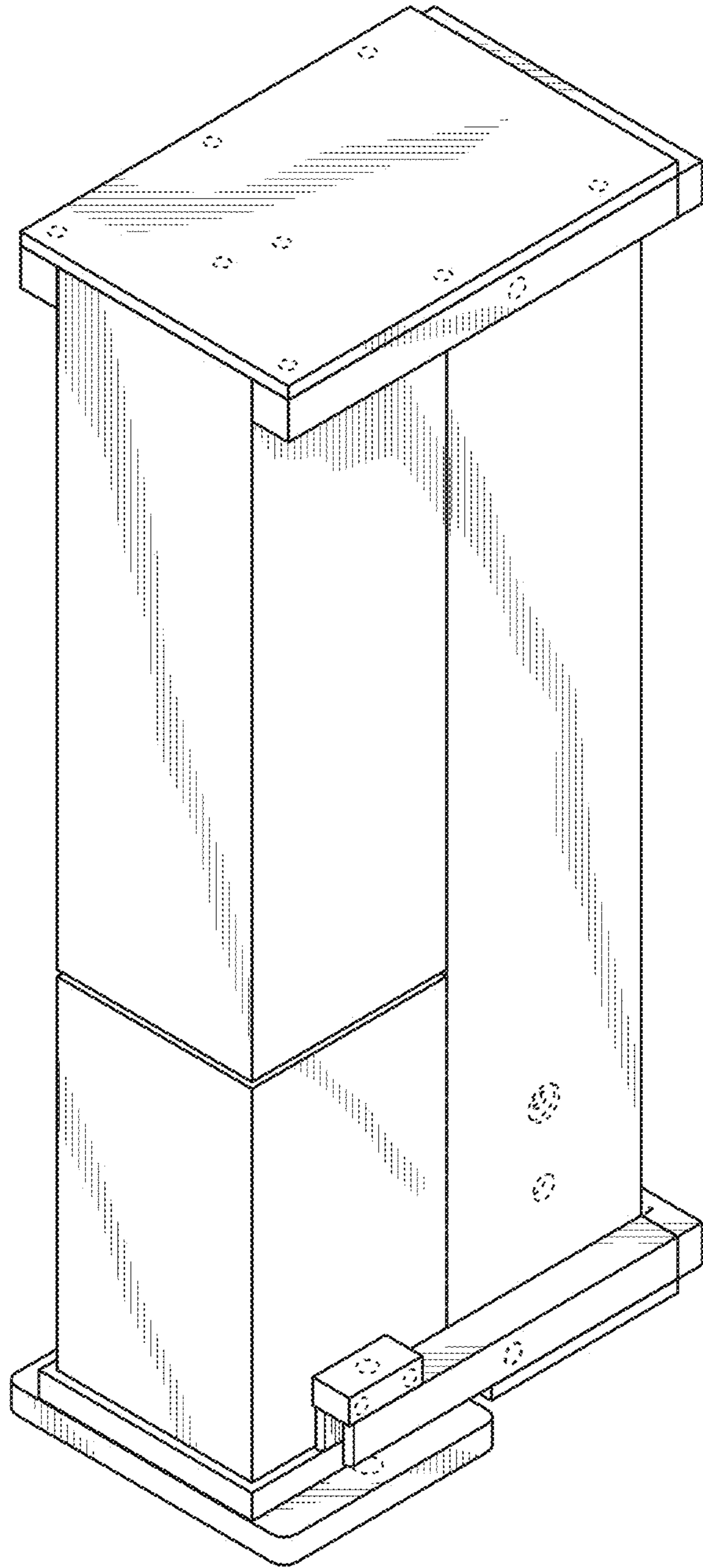


FIG. 7