



US00D987694S

(12) **United States Design Patent**
Long et al.

(10) **Patent No.: US D987,694 S**

(45) **Date of Patent: ** May 30, 2023**

(54) **3D PRINTER**

(71) Applicant: **Shenzhen Easythread Technology Co., Ltd, Guangdong (CN)**

(72) Inventors: **Xiaojiang Long, Guangdong (CN);
Meilian Tang, Guangdong (CN);
Huijun Gong, Guangdong (CN);
Weirong Huang, Guangdong (CN)**

11,370,164 B1 * 6/2022 Consalvi B29C 64/118
D957,517 S * 7/2022 Li B22F 12/00
D18/57
D958,236 S * 7/2022 Wu B33Y 30/00
D18/50
2018/0311895 A1 * 11/2018 Budmen B22F 12/00
2019/0022933 A1 * 1/2019 Ho B29C 64/232
2019/0061239 A1 * 2/2019 Liu B33Y 30/00
2019/0061265 A1 * 2/2019 Ho B33Y 50/02

(Continued)

(**) Term: **15 Years**

(21) Appl. No.: **29/769,711**

(22) Filed: **Feb. 8, 2021**

(30) **Foreign Application Priority Data**

Nov. 17, 2020 (CN) 202030696399.8

(51) **LOC (14) Cl.** **15-09**

(52) **U.S. Cl.**
USPC **D15/122**

(58) **Field of Classification Search**
USPC D15/122, 135, 141; D18/50
CPC B29C 64/00; B29C 64/20; B29C 64/25;
B29C 64/40; B29C 64/118; B29C 64/209;
B33Y 10/00; B33Y 30/00; B33Y 70/00;
B29L 2031/767; B32B 18/00
See application file for complete search history.

(56) **References Cited**

U.S. PATENT DOCUMENTS

D744,813 S * 12/2015 Filo D8/354
D765,745 S * 9/2016 Cheung D15/135
D791,203 S * 7/2017 Zhang D15/135
D835,690 S * 12/2018 Issa D15/122
D845,357 S * 4/2019 Chen D15/122
D861,749 S * 10/2019 Besim D15/122
D899,471 S * 10/2020 Liu D15/122
D925,634 S * 7/2021 Liu D15/199
D933,723 S * 10/2021 Chen D15/122
D956,114 S * 6/2022 Lee B29C 64/118
D15/135

OTHER PUBLICATIONS

Mini 3D Printer, available in Amazon.com, customer review oldest date Feb. 12, 2021 [online], [visited on Sep. 16, 2022], Available from the internet URL: https://www.amazon.com/Removable-Magnetic-Filament-Printers-100x100x100mm/dp/B09B1NLFBR/ref=sr_1_2_sspa?keywords=mini+3D+Printer&qid=1663349752&s=industri (Year: 2021).*

Primary Examiner — Calvin E Vansant
Assistant Examiner — Eidiol Ghigliotty Torres
(74) *Attorney, Agent, or Firm* — Prakash Nama; Global IP Services, PLLC

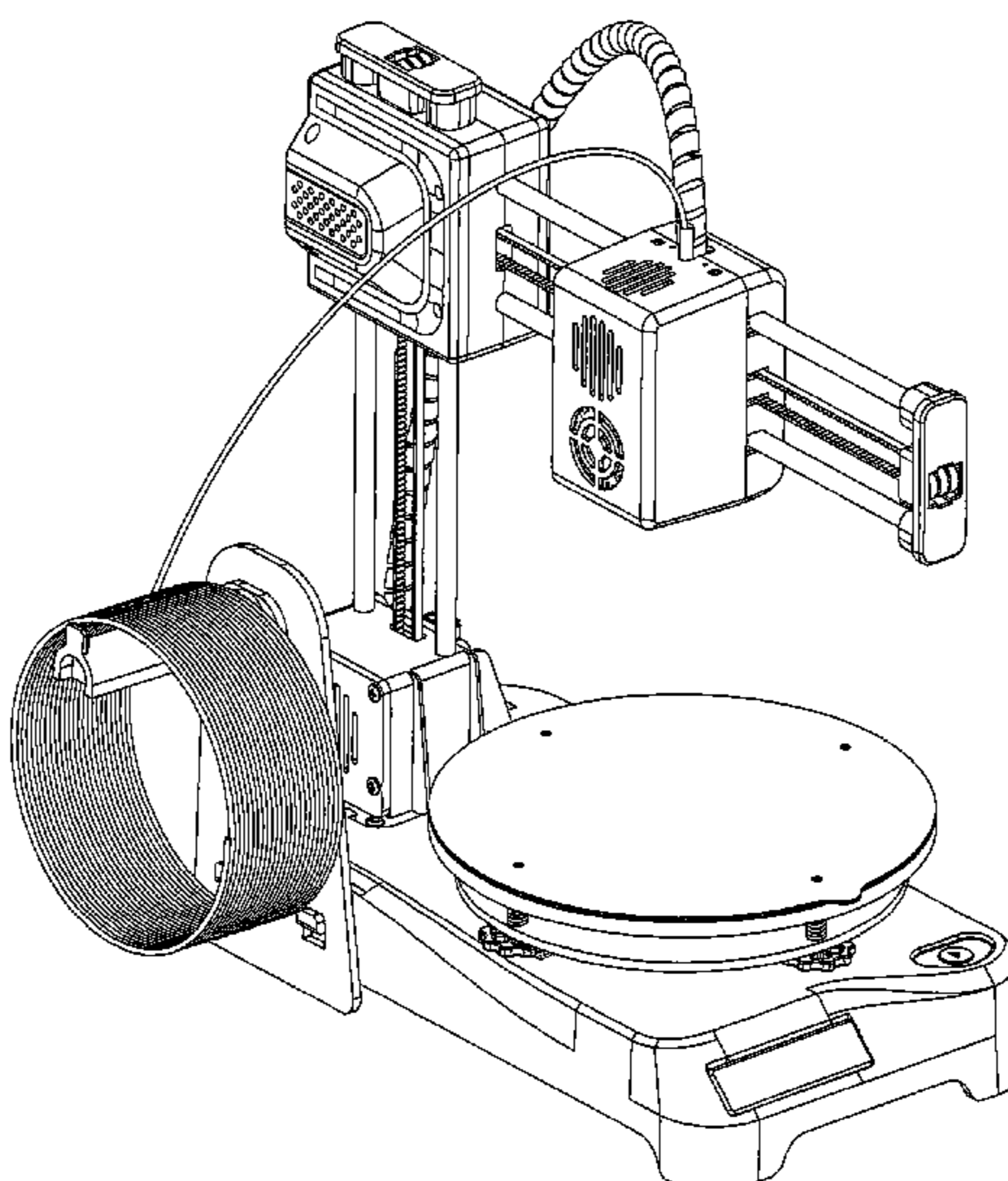
(57) **CLAIM**

The ornamental design for a 3D printer, as shown and described.

DESCRIPTION

FIG. 1 is a front elevational view of a 3D printer showing our new design;
FIG. 2 is a rear elevational view thereof;
FIG. 3 is a left side view thereof;
FIG. 4 is a right side view thereof;
FIG. 5 is a top plan view thereof;
FIG. 6 is a bottom plan view thereof;
FIG. 7 is a perspective view thereof; and,
FIG. 8 is another perspective view thereof.
In the drawings, the broken lines depict portions of the 3D printer that form no part of the claimed design.

1 Claim, 8 Drawing Sheets



(56)

References Cited

U.S. PATENT DOCUMENTS

2021/0206074 A1* 7/2021 Lee B29C 64/25
2022/0055298 A1* 2/2022 Zhou B29C 64/141

* cited by examiner

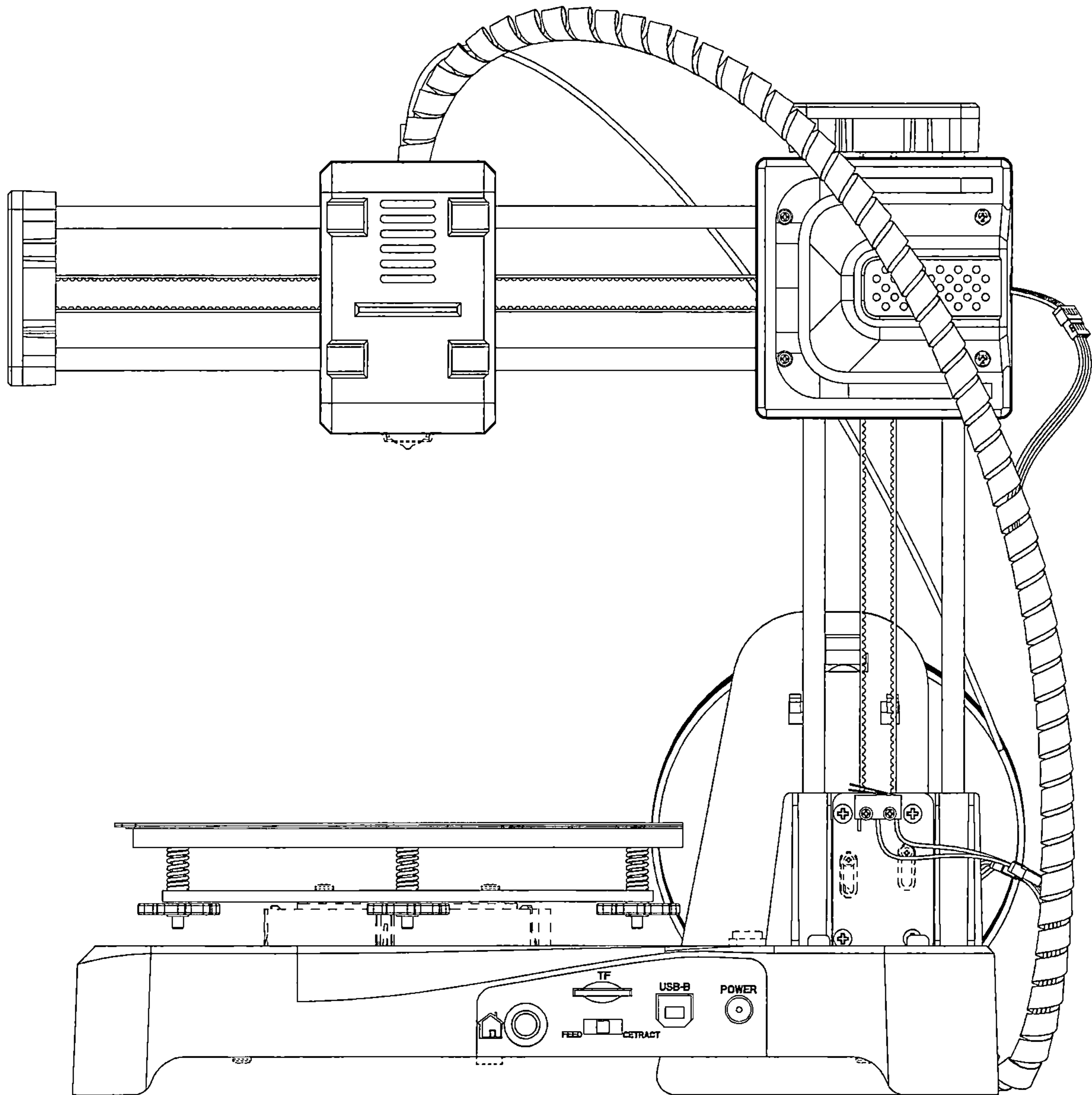


FIG. 1

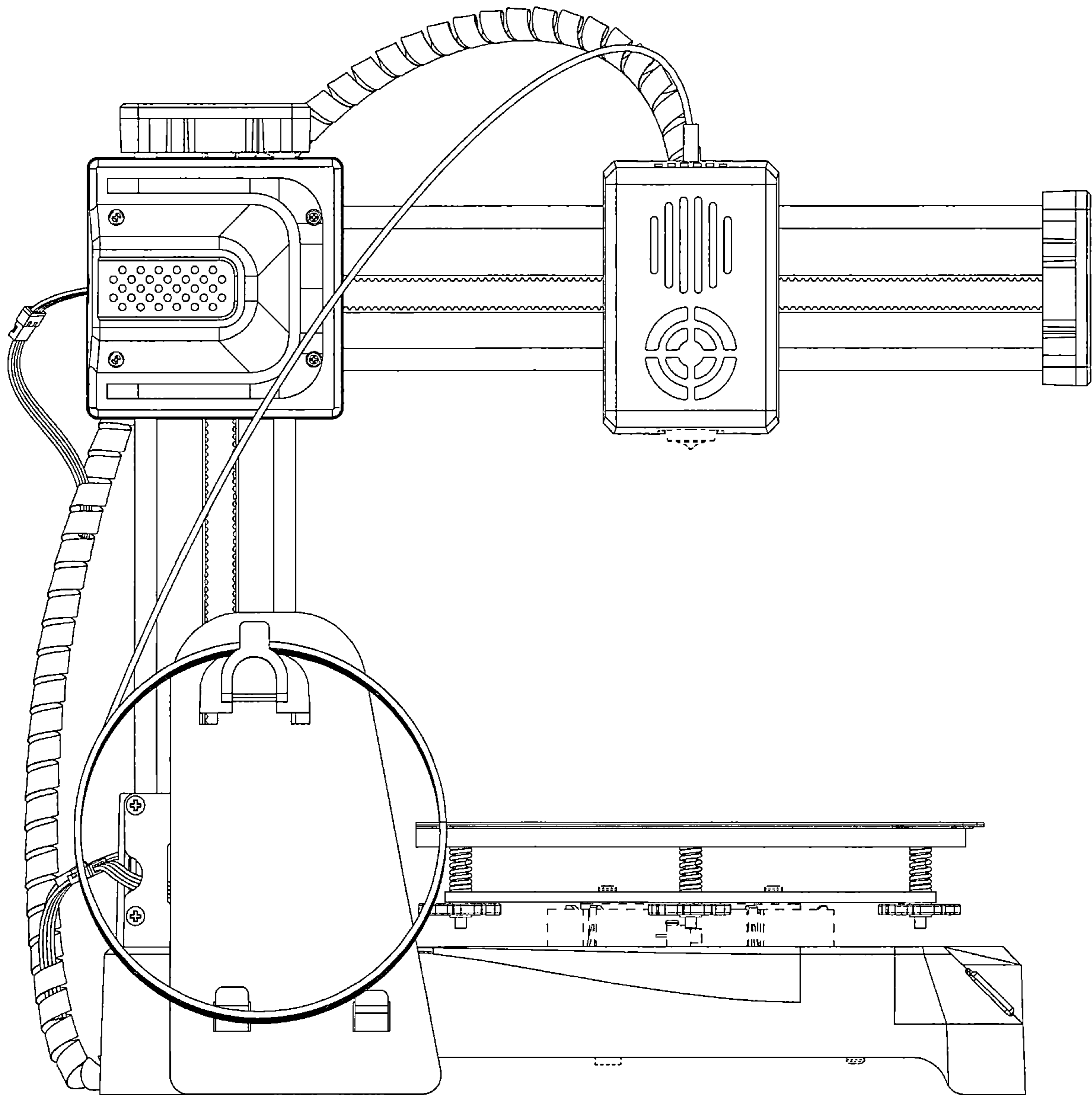


FIG. 2

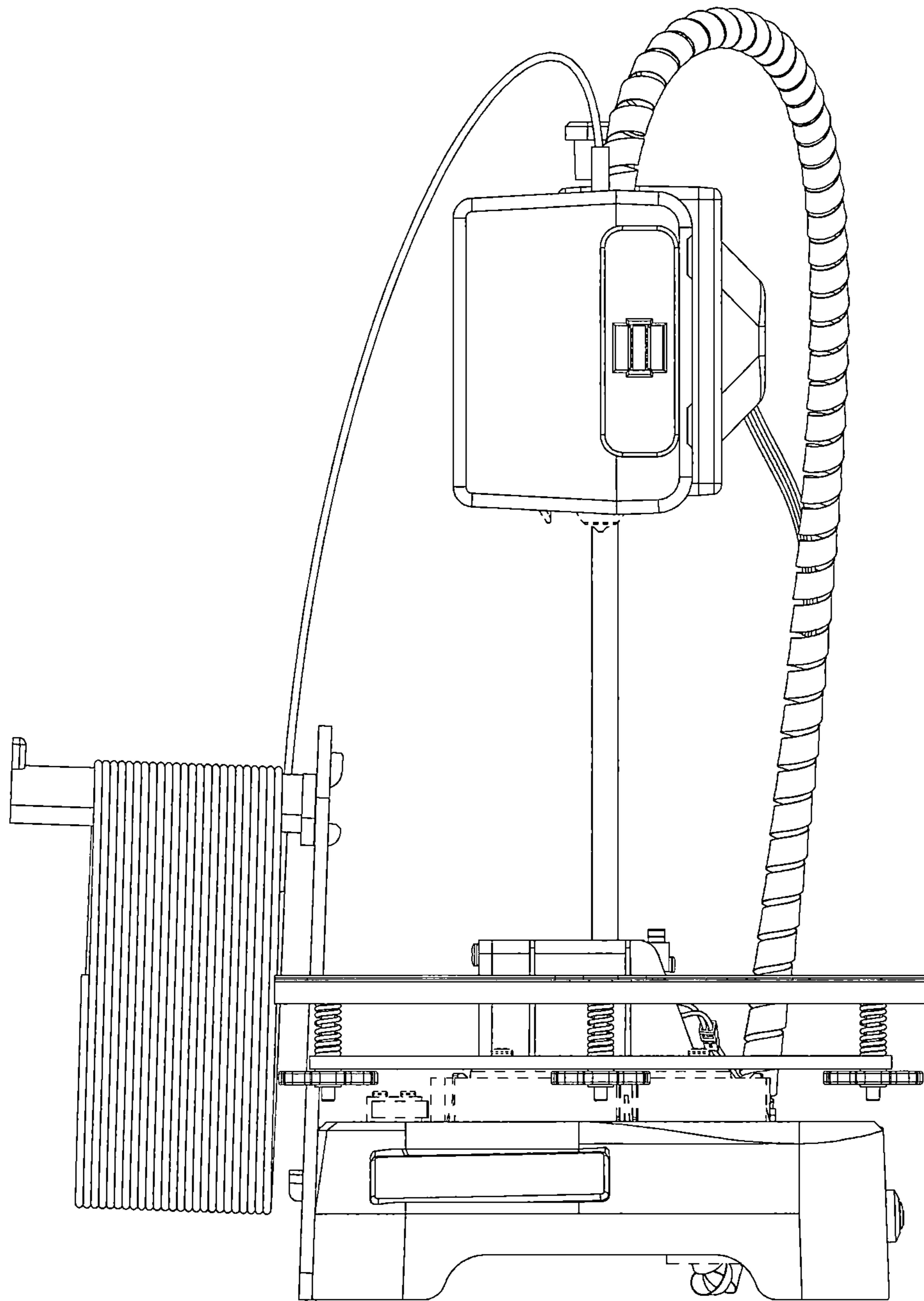


FIG. 3

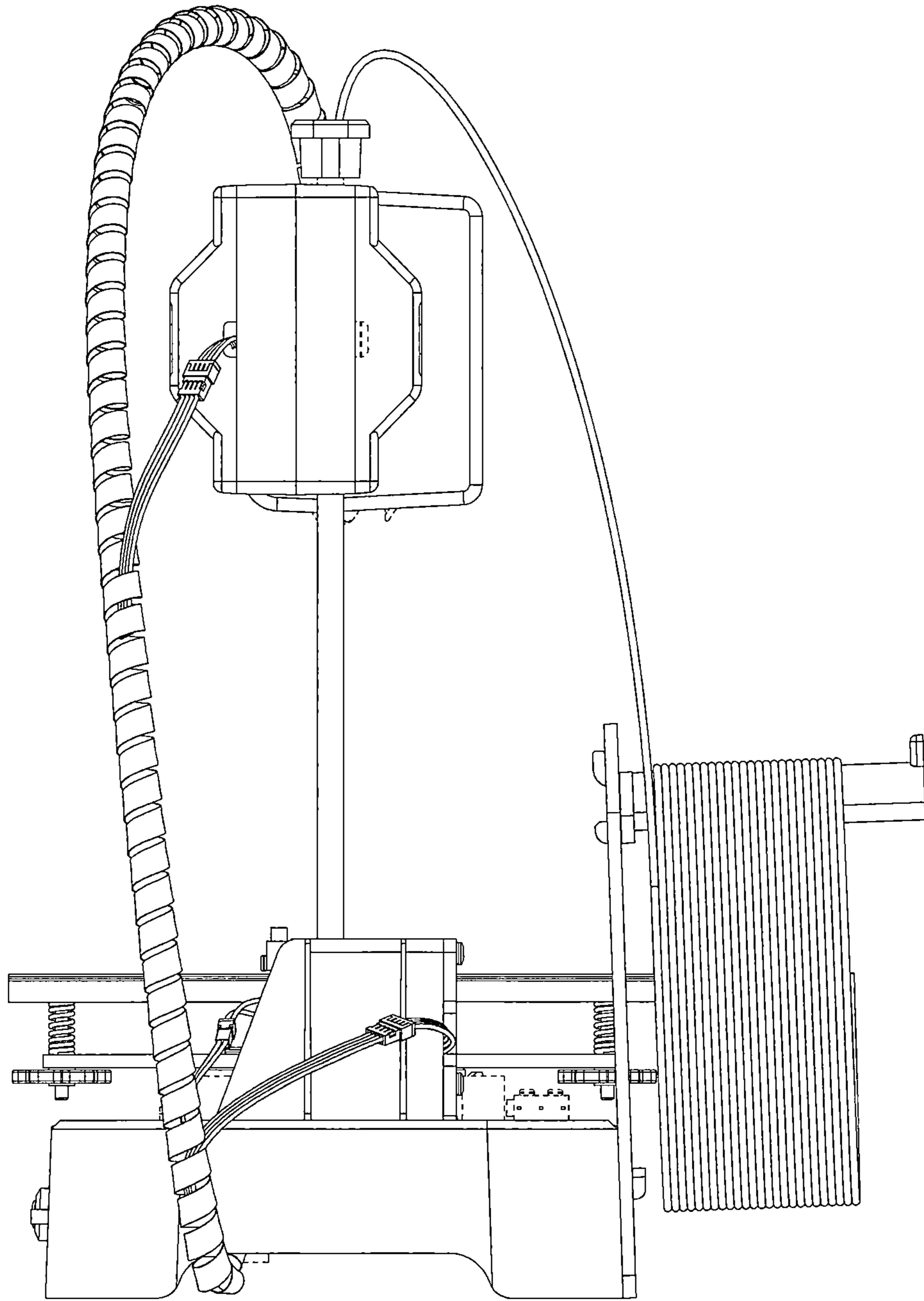


FIG. 4

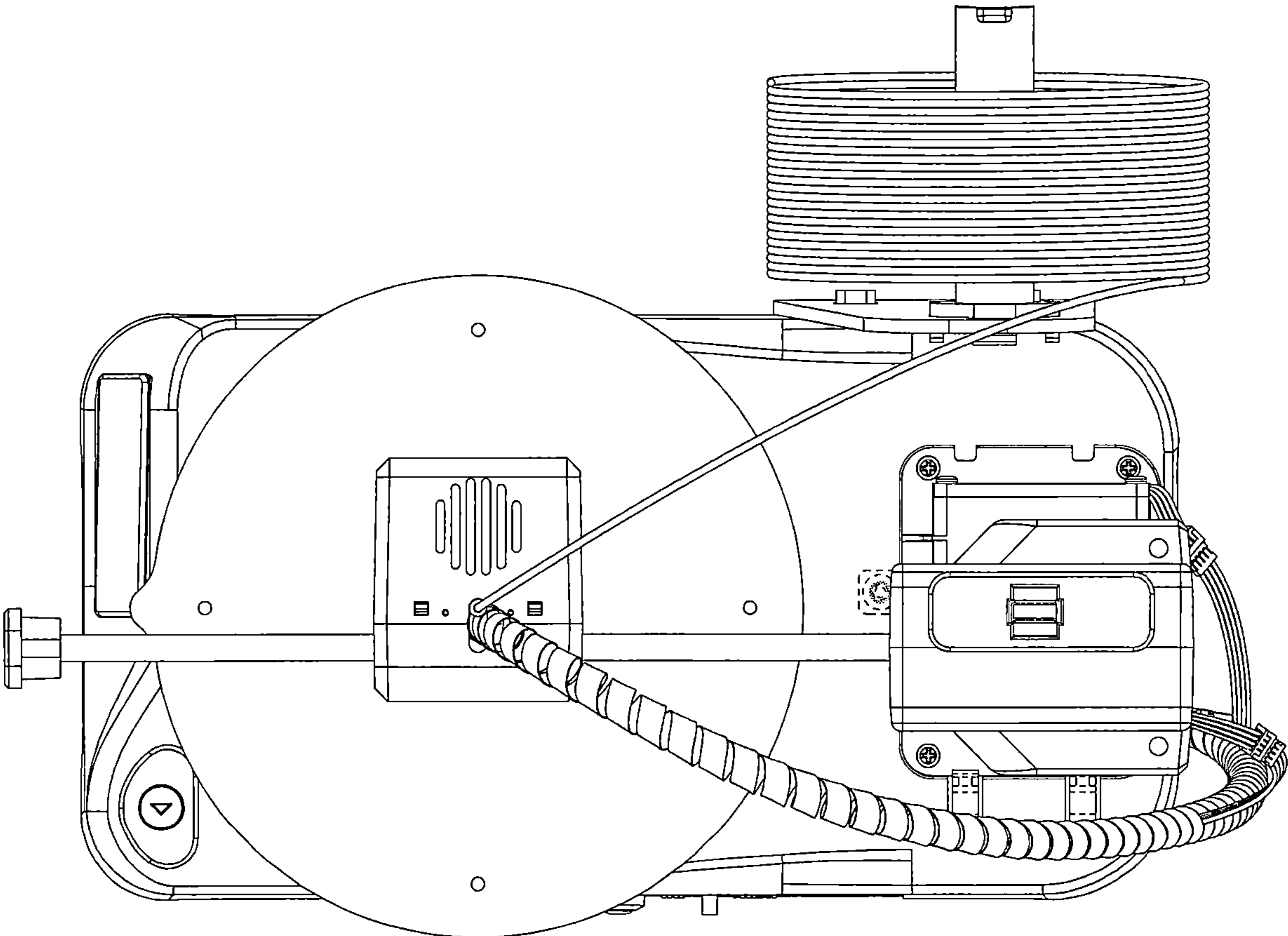


FIG. 5

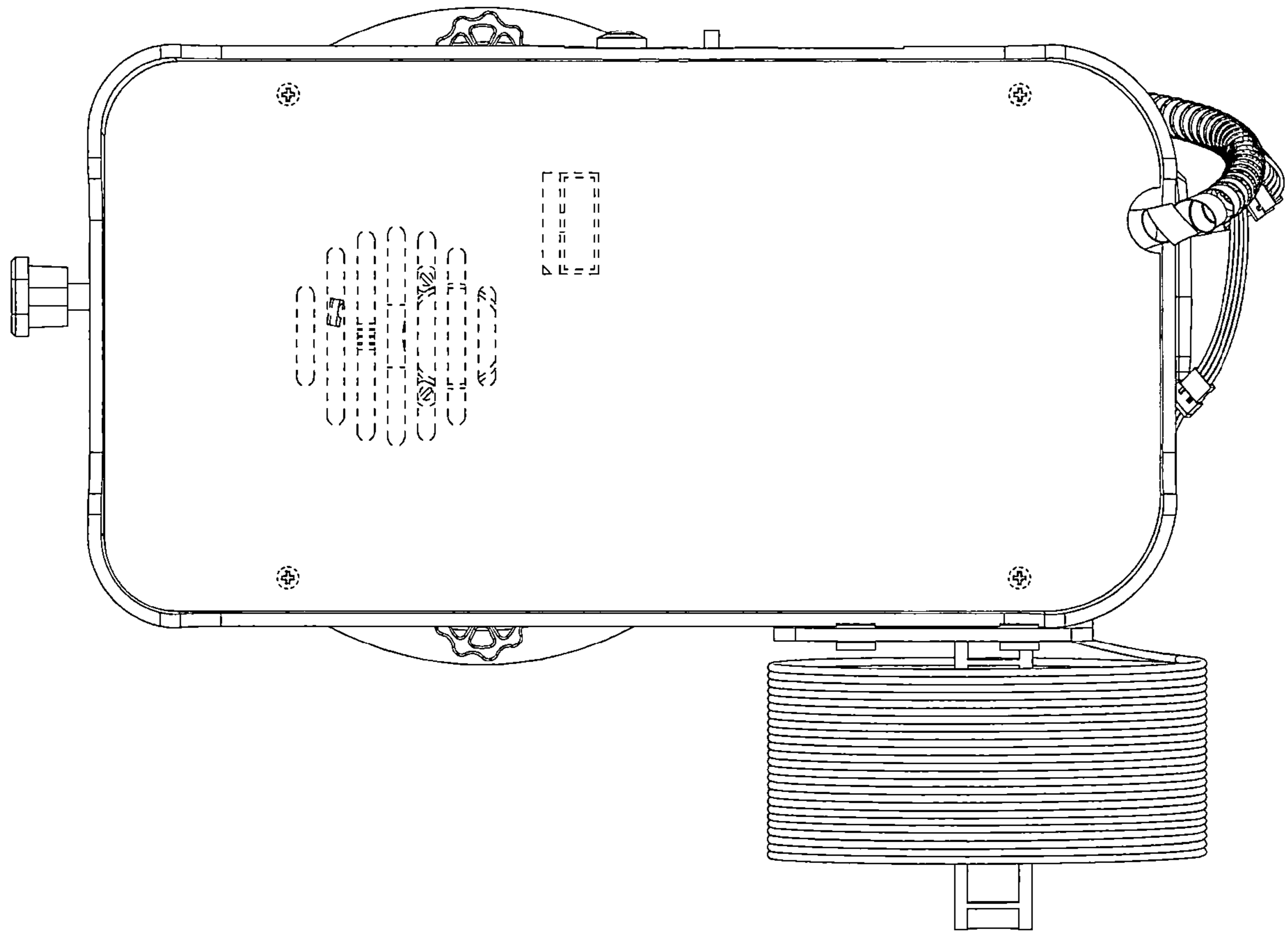


FIG. 6

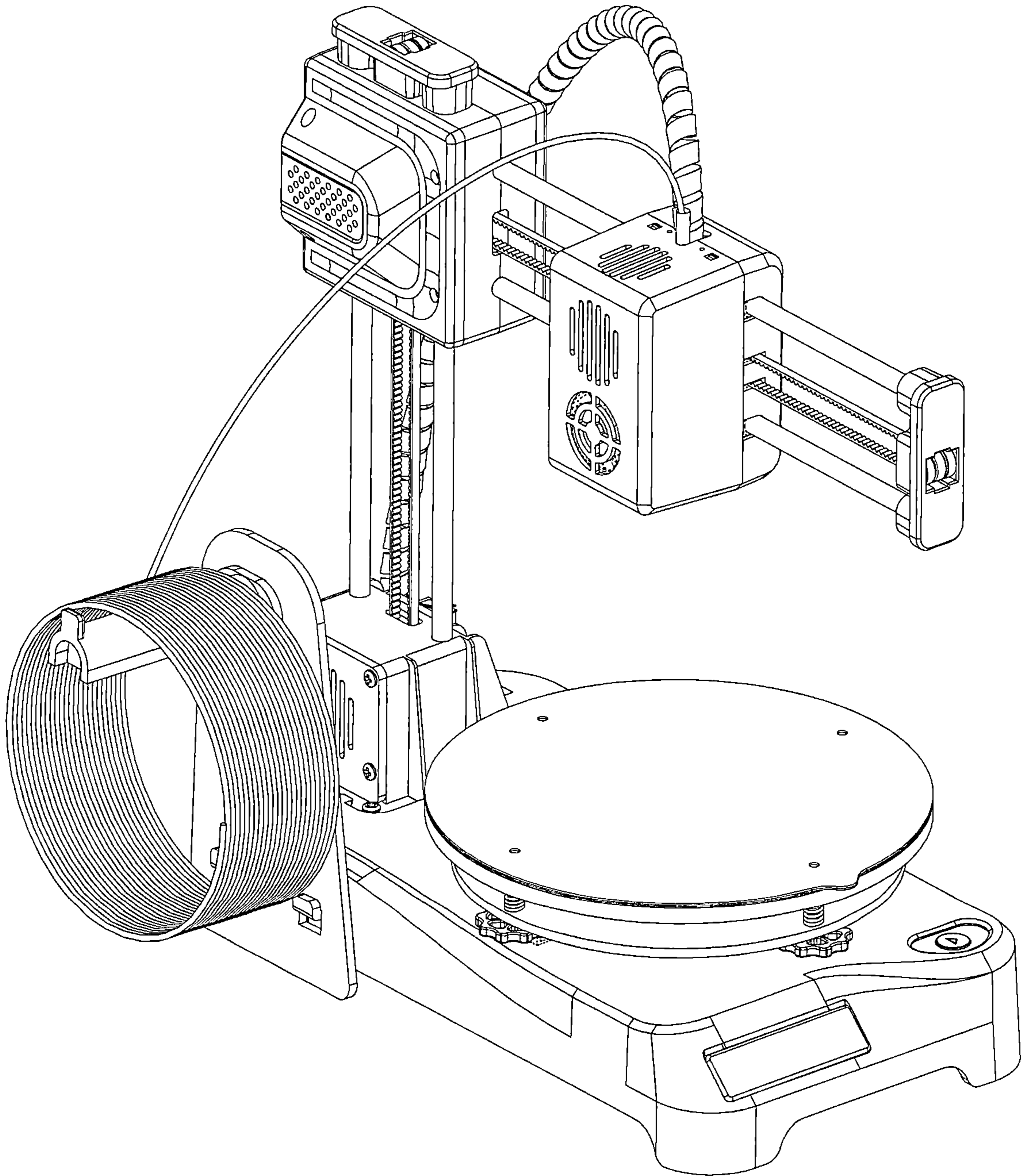


FIG. 7

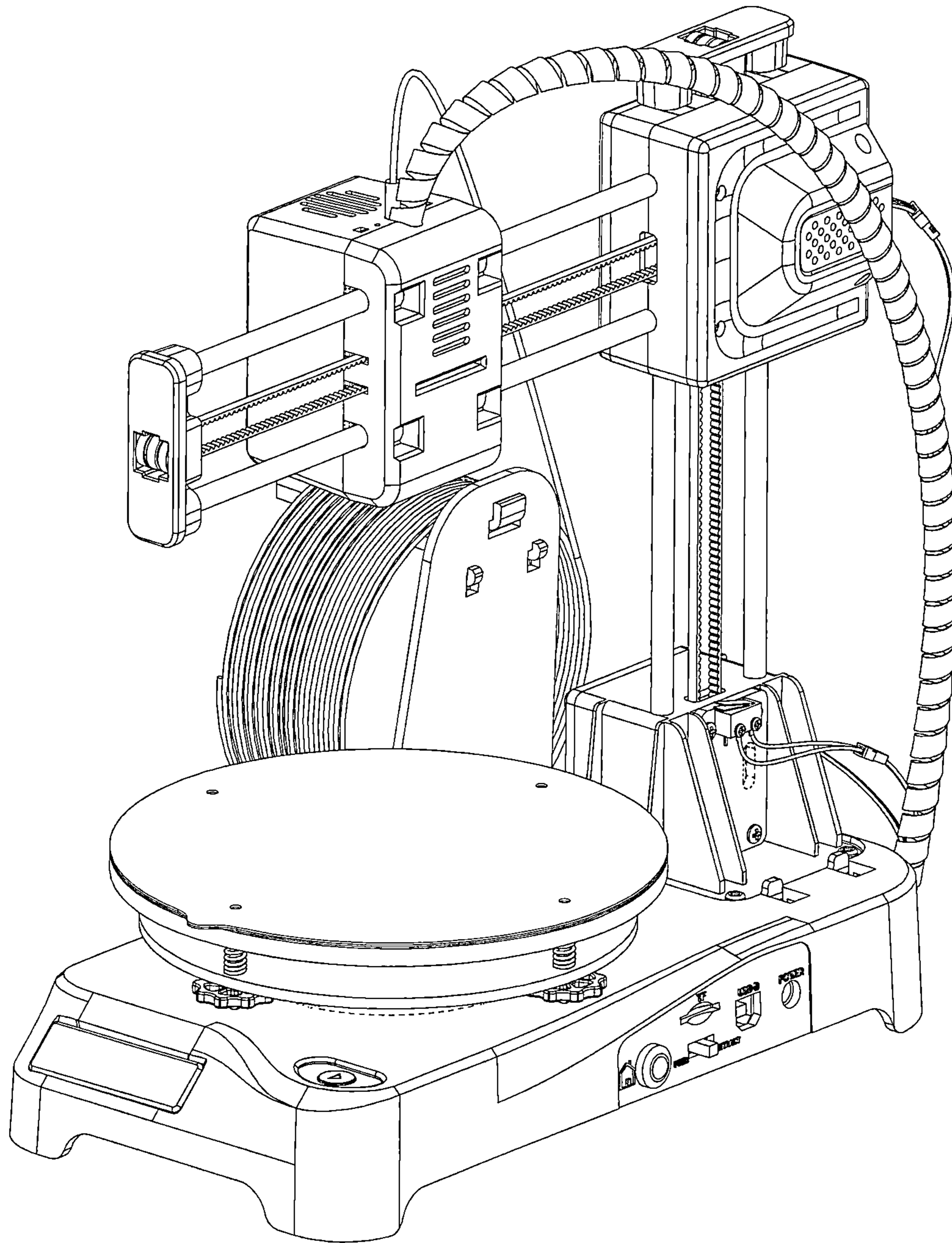


FIG. 8