



US00D987690S

(12) **United States Design Patent** (10) **Patent No.:** **US D987,690 S**
Chen et al. (45) **Date of Patent:** **** May 30, 2023**

(54) **LAWN MOWER**
(71) Applicant: **EcoFlow Inc.**, Shenzhen (CN)
(72) Inventors: **Xi Chen**, Guangdong (CN); **Lei Wang**, Guangdong (CN)

(**) Term: **15 Years**

(21) Appl. No.: **35/514,945**

(22) Filed: **May 11, 2022**

(80) **Hague Agreement Data**

Int. Filing Date: **May 11, 2022**
Int. Reg. No.: **DM/222618**
Int. Reg. Date: **May 11, 2022**
Int. Reg. Pub. Date: **Aug. 12, 2022**

(30) **Foreign Application Priority Data**

Dec. 15, 2021 (CN) 202130830344.6

(51) **LOC (14) Cl.** **15-03**

(52) **U.S. Cl.**
USPC **D15/14; D15/199**

(58) **Field of Classification Search**
USPC D15/14, 17, 18, 199; D12/1, 4, 12, 159;
D21/550, 551

CPC H04N 23/51; H04N 23/65; H04N 23/69;
B62D 57/00; B62D 57/02; B62D 11/02;
B60R 11/04; B60B 19/003; B60B 19/14;
B65G 1/137; B65G 1/1373; B65G 1/127;
B65D 25/24; B66F 9/063; B60L 2200/16;
B60L 2200/46; B60L 2200/40

See application file for complete search history.

(56) **References Cited**

U.S. PATENT DOCUMENTS

D231,671 S * 5/1974 Young D12/16
D394,662 S * 5/1998 Grow D15/27
D489,381 S * 5/2004 Mistry D15/33
D499,122 S * 11/2004 Higashikawa D15/31
D837,307 S * 1/2019 Jin D21/549

D849,598 S * 5/2019 Schroeder D12/1
D884,762 S * 5/2020 Gunnarsson D15/199
D887,466 S * 6/2020 Gunnarsson D15/199
D914,779 S * 3/2021 Poluboiarinov D15/199
D918,977 S * 5/2021 Chrysanthakopoulos
G05D 1/0219

D944,899 S * 3/2022 Weng D21/533
D946,056 S * 3/2022 Cestonaro D15/17

(Continued)

OTHER PUBLICATIONS

Haje Jan Kamps, "At CES, the company launches battery backup, a lawn mower, a portable A/C and a portable fridge", (published Jan. 5, 2023), TechCrunch website, URL:<https://techcrunch.com/2023/01/05/ecoflow-launches-battery-backup-a-lawnmower-a-portable-a-c-and-a-portable-fridge/> (Year: 2023).*

Primary Examiner — Calvin E Vansant
Assistant Examiner — Mark T. Philipps

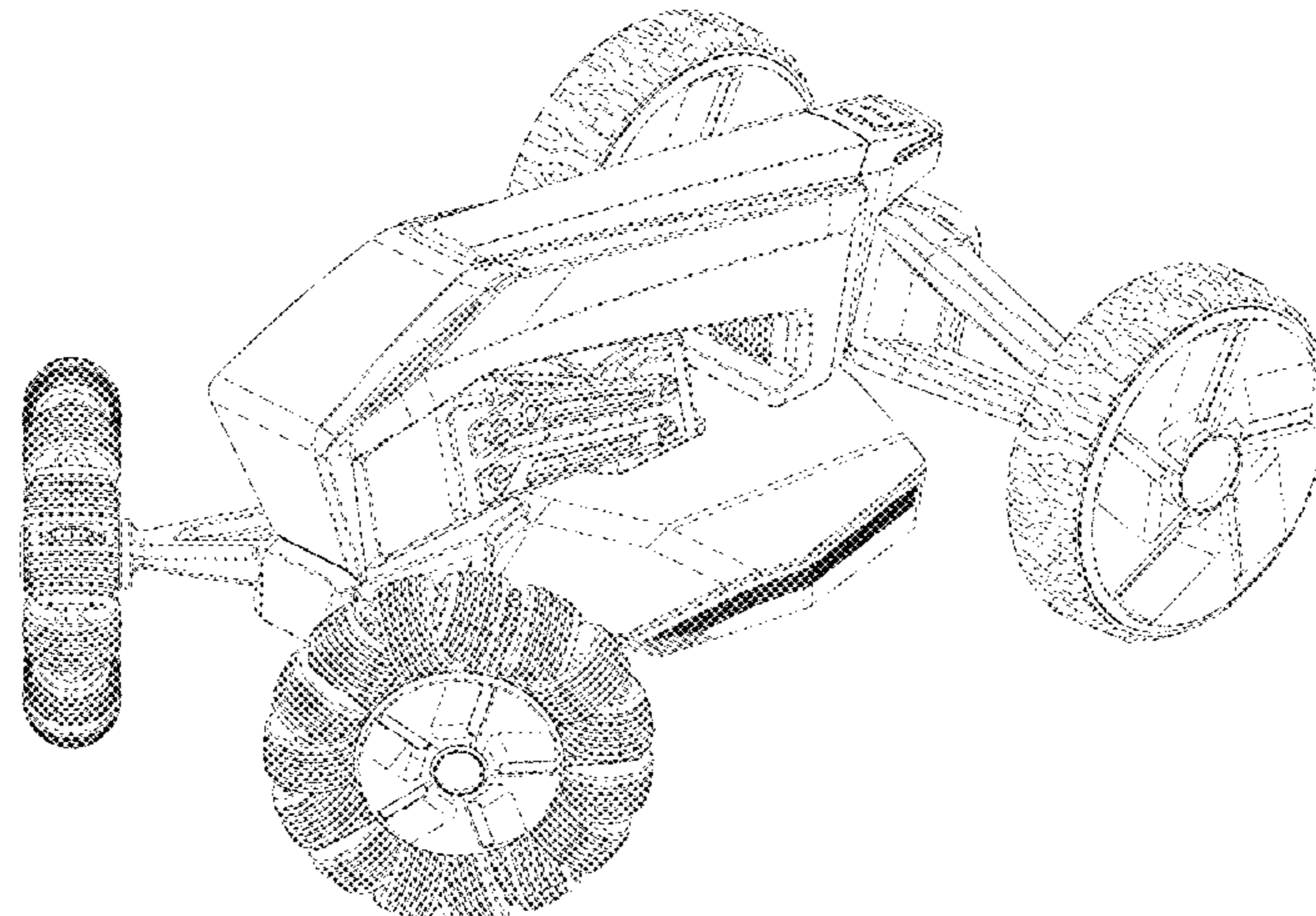
(57) **CLAIM**

The ornamental design for a lawn mower, as shown and described.

DESCRIPTION

1. Lawn mower
1.1 : Front
1.2 : Back
1.3 : Left
1.4 : Right
1.5 : Top
1.6 : Bottom
1.7 : Perspective
1.8 : Perspective
Reproduction **1.1**: front view of design 1; reproduction **1.2**: back view thereof; reproduction **1.3**: left view thereof; reproduction **1.4**: right view thereof; reproduction **1.5**: top view thereof; reproduction **1.6**: bottom view thereof; repro-

(Continued)



duction 1.7: perspective view (front, top, right side) thereof;
reproduction 1.8: perspective view (back, bottom, left side)
thereof.

1 Claim, 8 Drawing Sheets

(56)

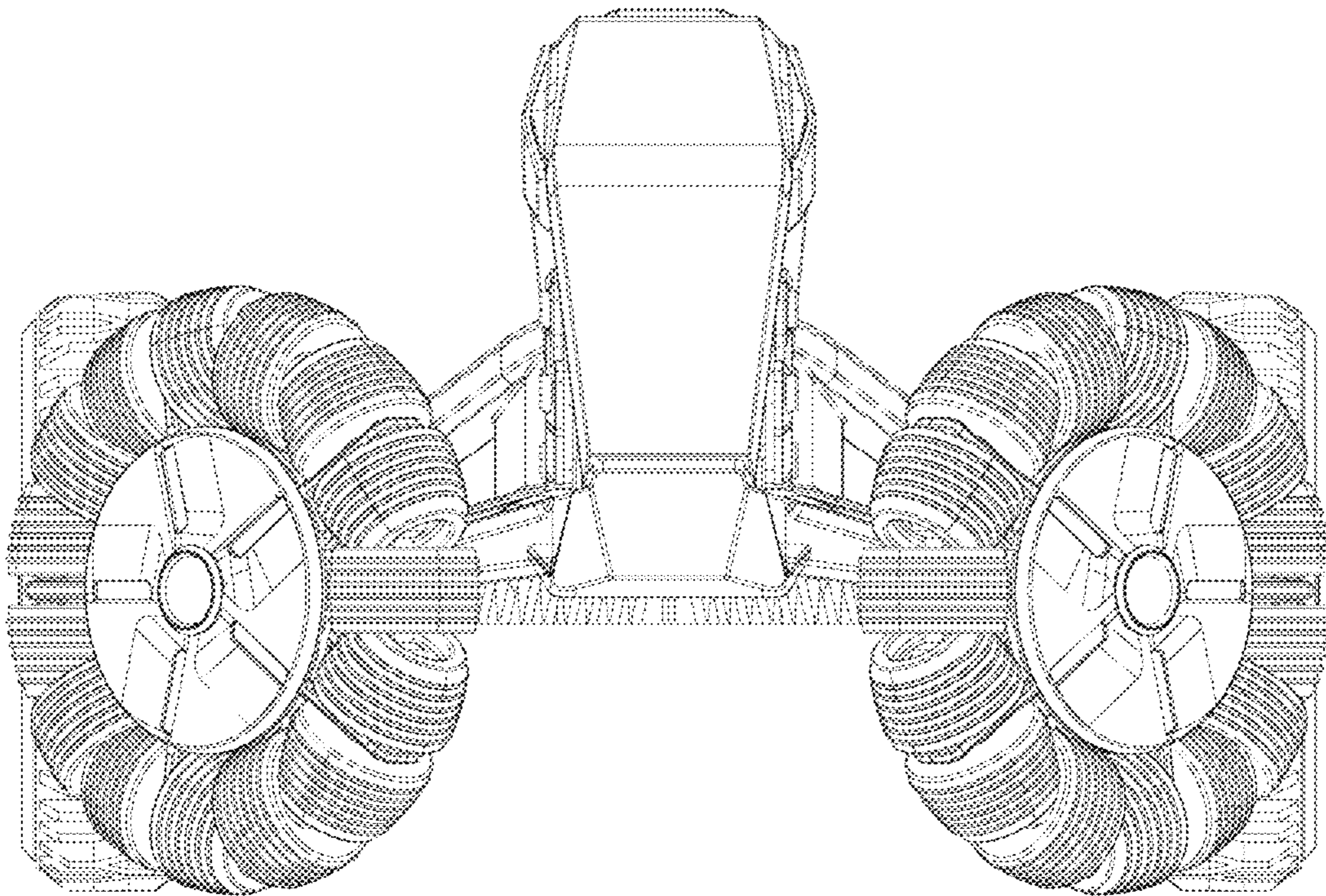
References Cited

U.S. PATENT DOCUMENTS

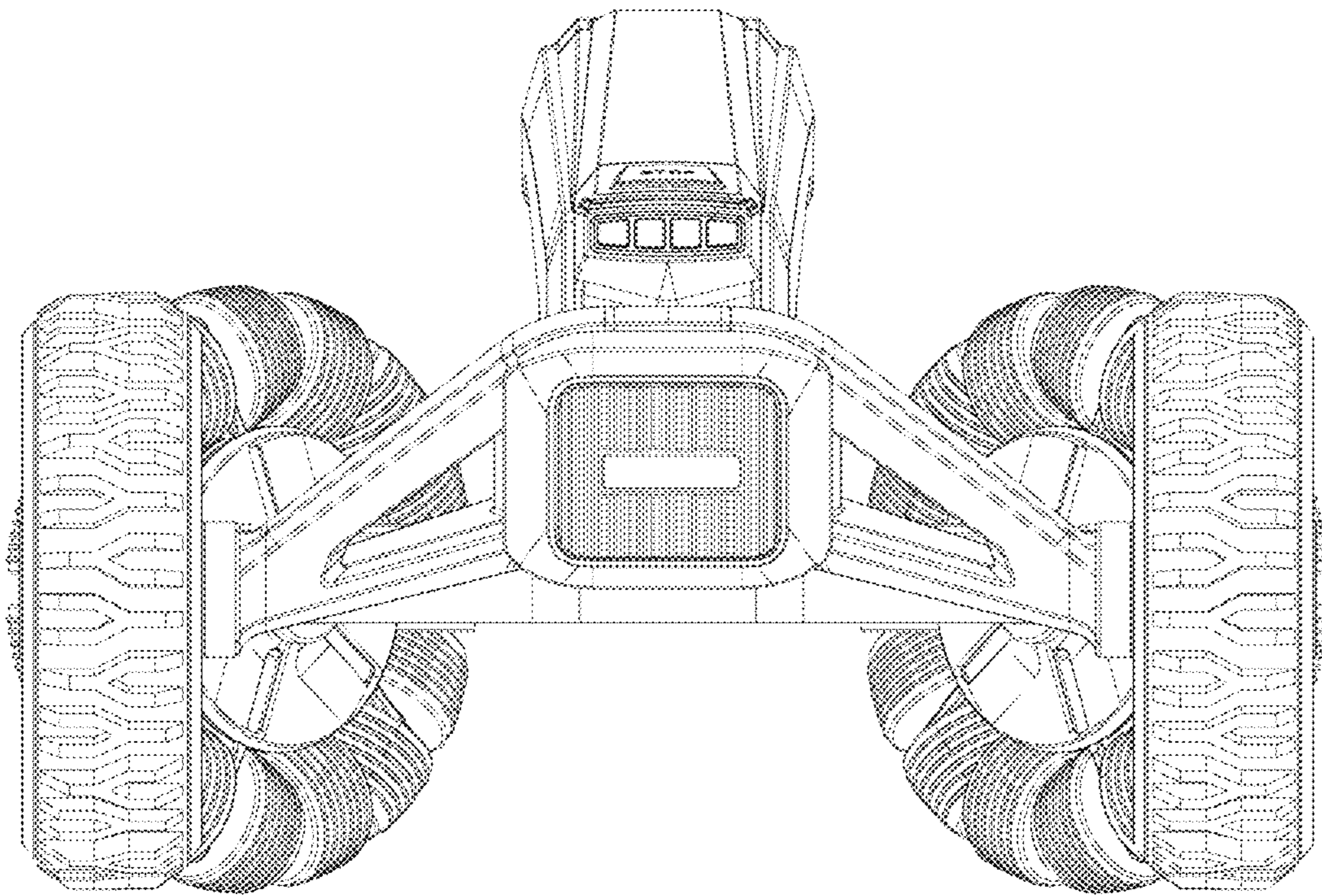
D952,052	S	*	5/2022	Xu	D21/550
D952,760	S	*	5/2022	Wang	D21/533
D952,762	S	*	5/2022	Shen	D21/548
D970,648	S	*	11/2022	Liu	D21/550
D971,273	S	*	11/2022	Fowler	D15/15
D975,203	S	*	1/2023	Xu	D21/549
2018/0199506	A1	*	7/2018	Ito	G05D 1/021
2021/0018927	A1	*	1/2021	Ackerman	G05D 1/0278

* cited by examiner

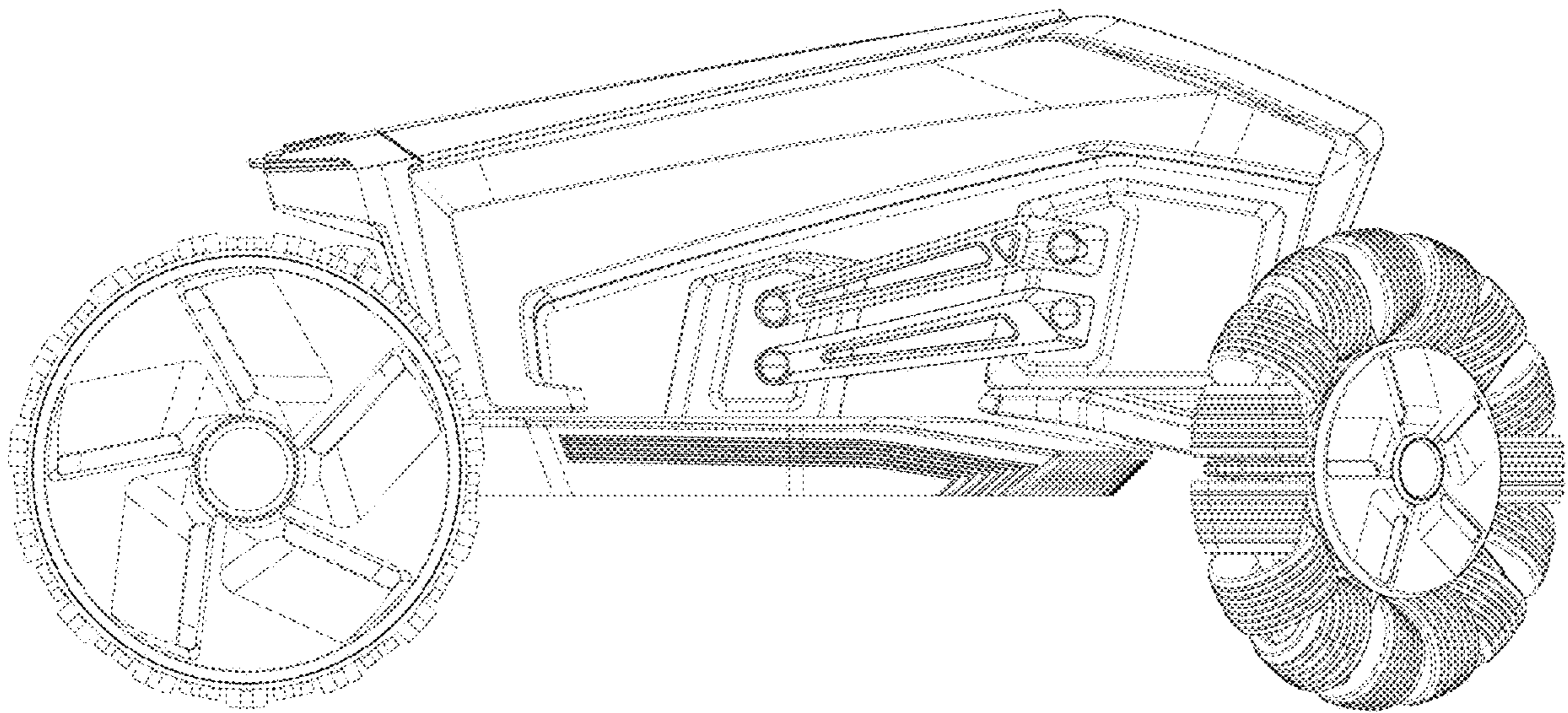
1.1



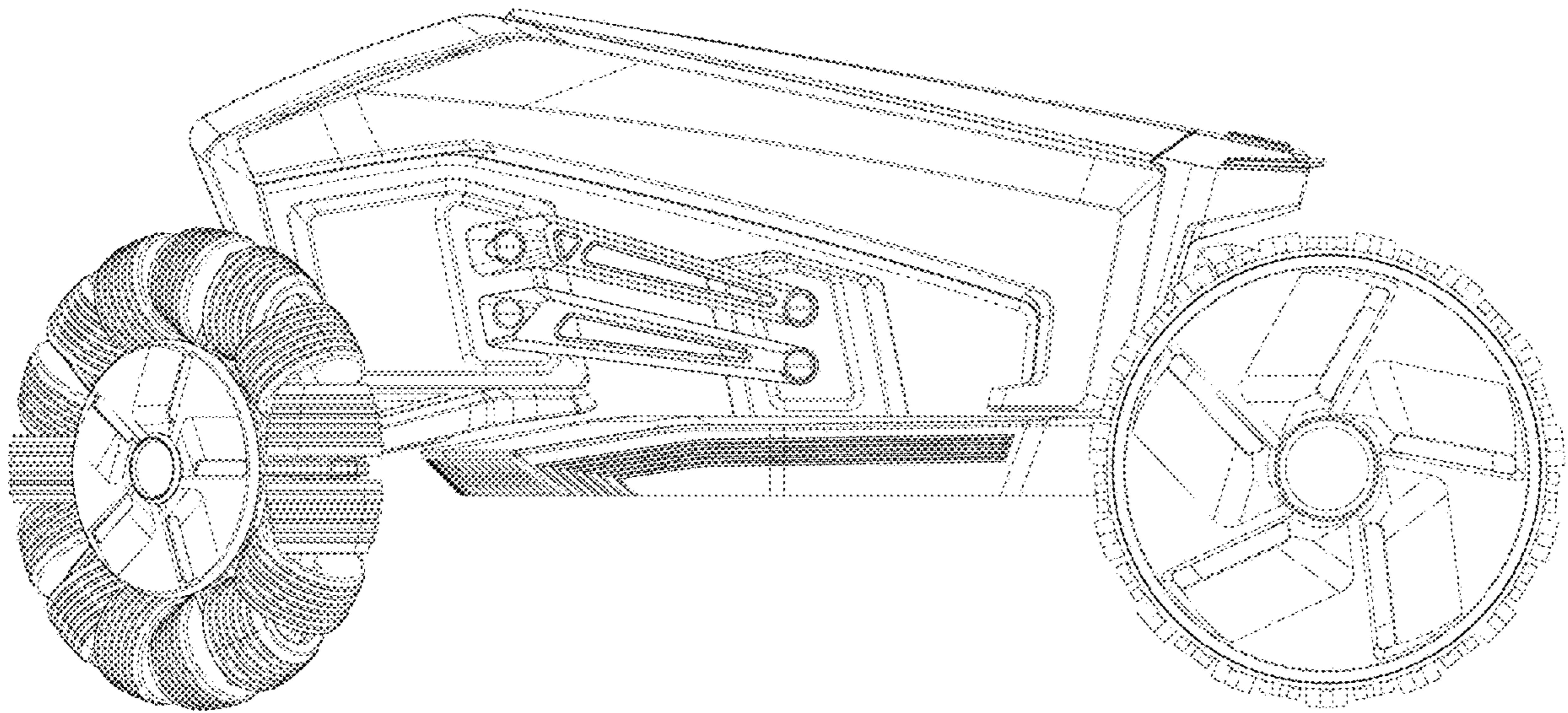
1.2



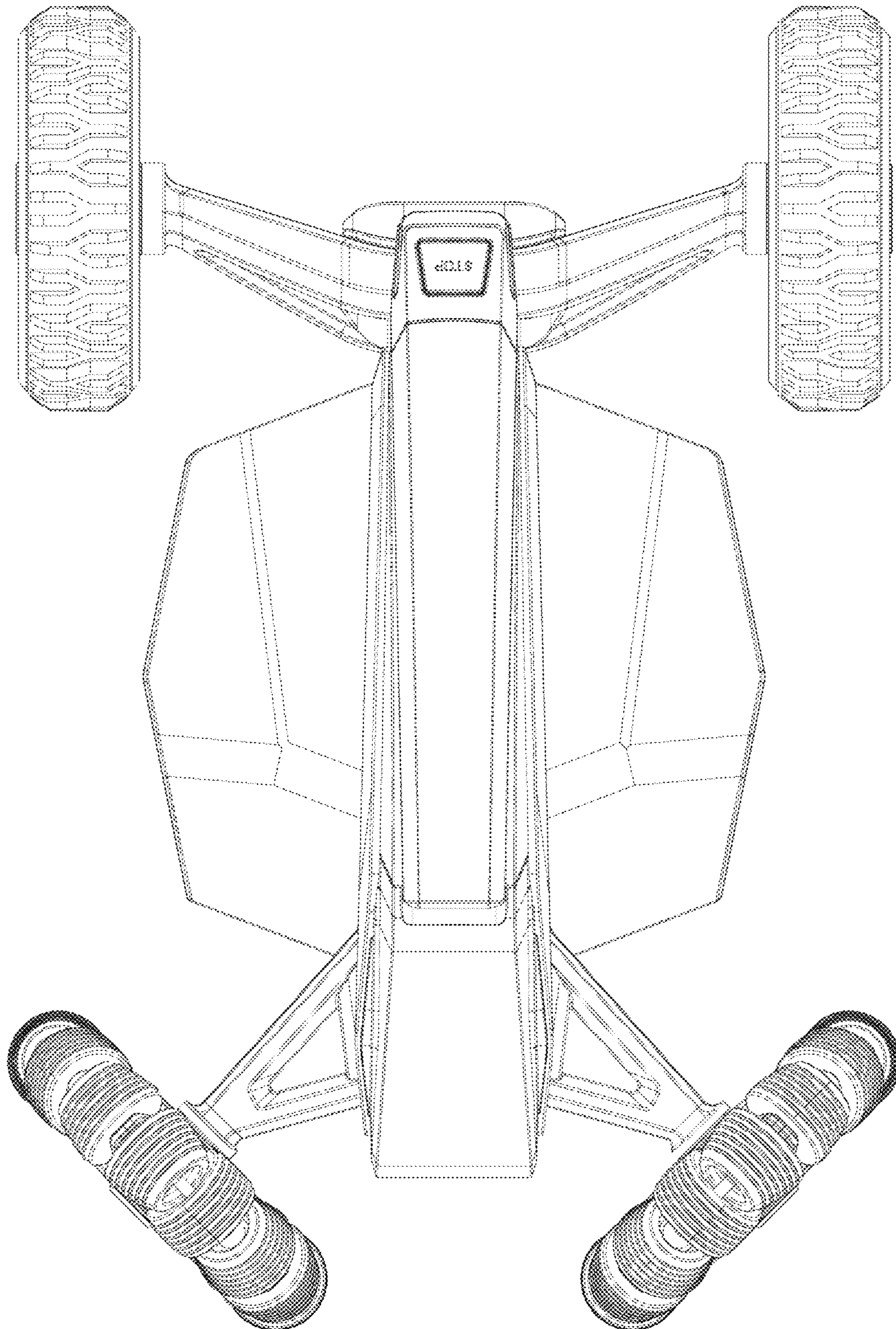
1.3



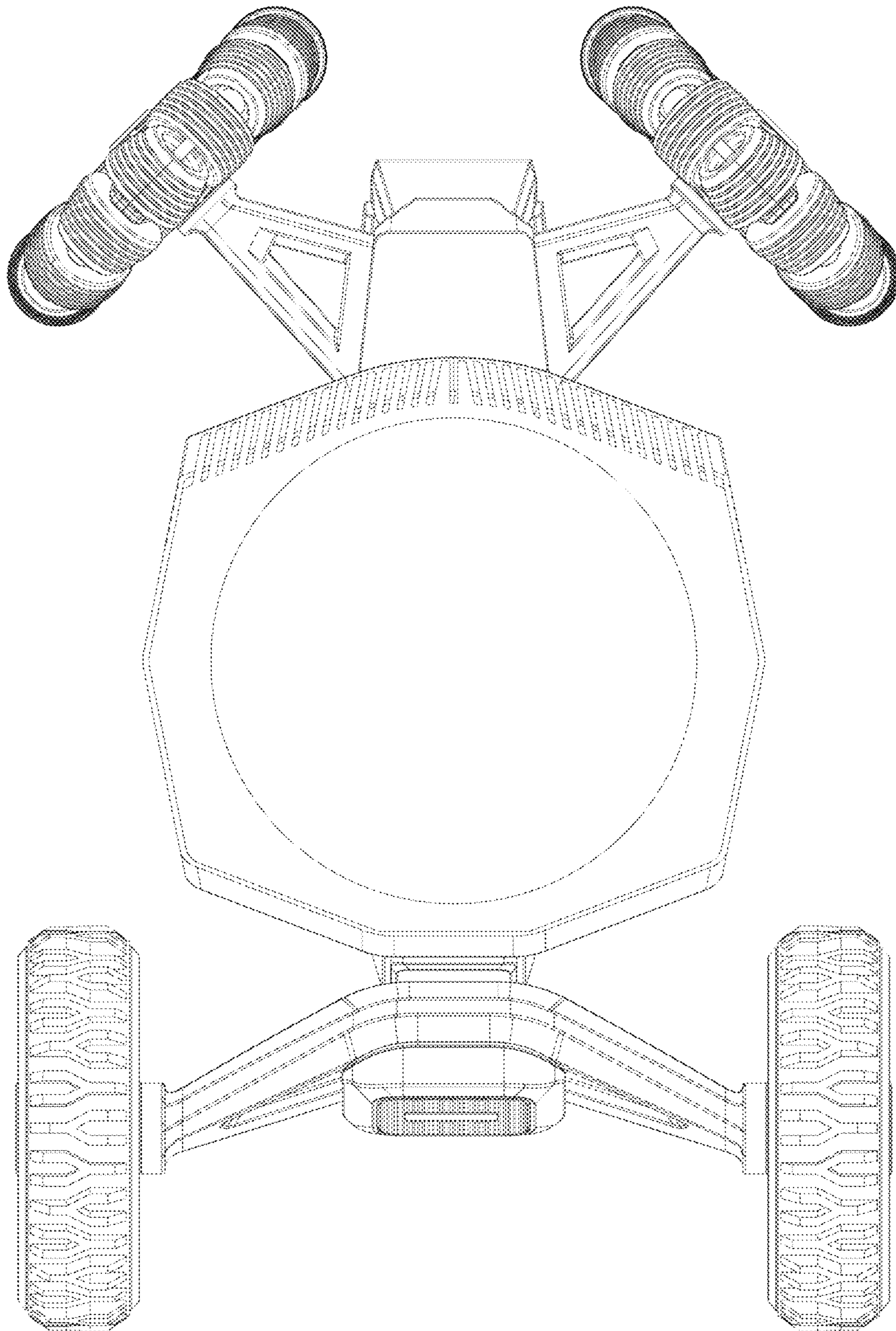
1.4



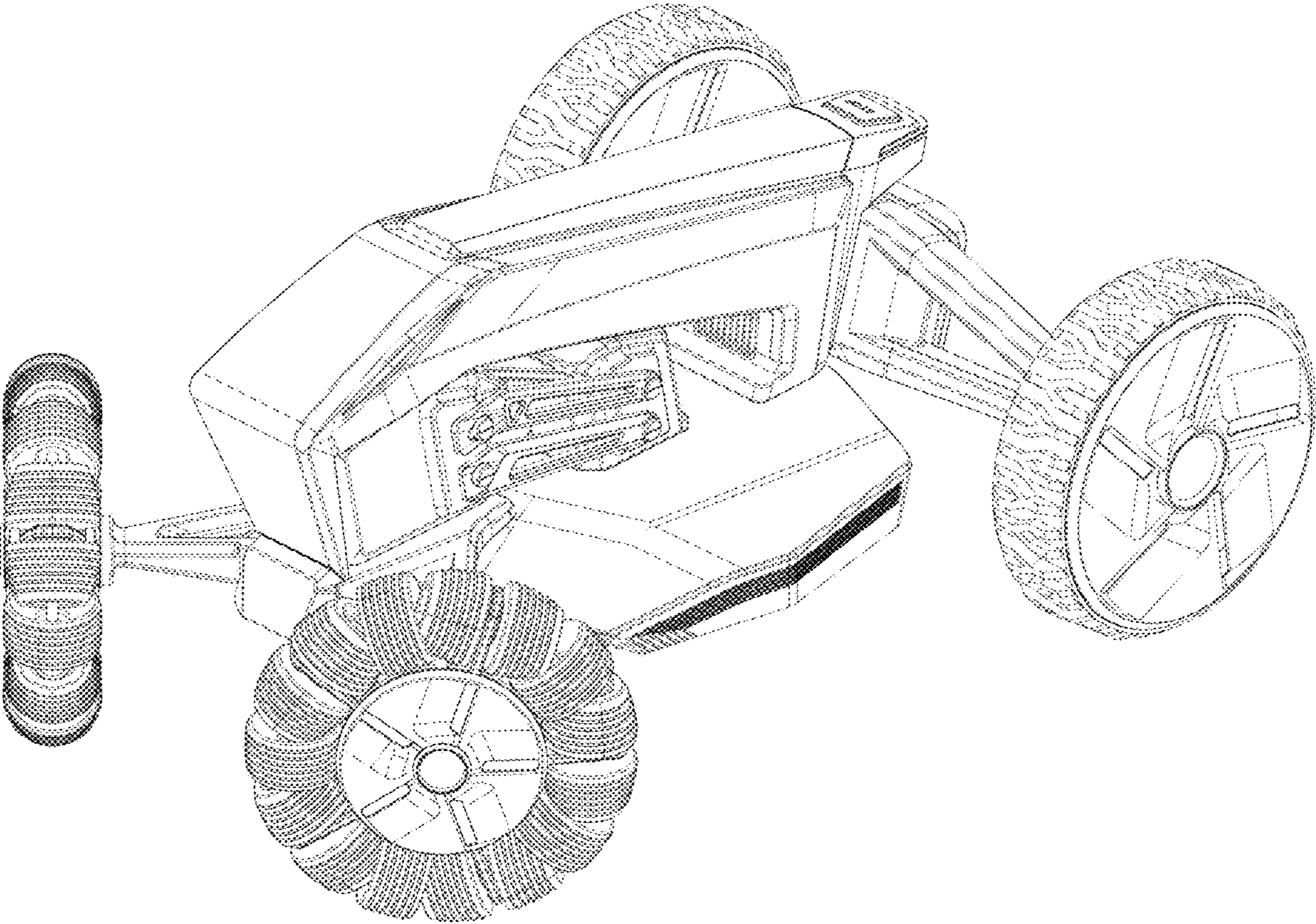
1.5



1.6



1.7



1.8

