



US00D987688S

(12) **United States Design Patent**  
**Tomita**

(10) **Patent No.:** **US D987,688 S**

(45) **Date of Patent:** **\*\* May 30, 2023**

(54) **ROTARY ACTUATOR**

D819,101 S \* 5/2018 Ishikawa ..... D15/148  
D821,472 S \* 6/2018 Ishikawa ..... D15/149  
D846,012 S \* 4/2019 Ishikawa ..... D13/158

(71) Applicant: **SMC CORPORATION**, Tokyo (JP)

(72) Inventor: **Kouhei Tomita**, Moriya (JP)

(73) Assignee: **SMC CORPORATION**, Tokyo (JP)

(\*\*) Term: **15 Years**

(21) Appl. No.: **29/789,200**

(22) Filed: **Sep. 8, 2021**

(30) **Foreign Application Priority Data**

Mar. 31, 2021 (JP) ..... 2021-006776 D

(51) **LOC (14) Cl.** ..... **15-99**

(52) **U.S. Cl.**  
USPC ..... **D15/148**

(58) **Field of Classification Search**  
USPC ..... D13/158, 160; D15/7, 143, 148, 199  
CPC ..... F15B 15/00; F15B 15/12; F15B 15/065;  
H02K 7/00; H02K 5/24; H02K 5/04;  
H02K 19/06; H02K 26/00; H02K 33/00;  
H02K 33/16; H02K 37/00  
See application file for complete search history.

(56) **References Cited**

**U.S. PATENT DOCUMENTS**

D638,454 S \* 5/2011 Torii ..... D15/143  
D639,321 S \* 6/2011 Torii ..... D15/143  
D673,196 S \* 12/2012 von Hafen ..... D15/148  
D789,432 S \* 6/2017 Tokuda ..... D15/148  
D790,616 S \* 6/2017 Tokuda ..... D15/148  
D790,617 S \* 6/2017 Tokuda ..... D15/148

**OTHER PUBLICATIONS**

CRB series, available in smcusa.com, announced Year 2022 [online], [site visited Dec. 27, 2022], Internet URL: <https://content2.smcetech.com/pdf/es20-253-crb.pdf> (Year: 2022).\*

\* cited by examiner

*Primary Examiner* — Calvin E Vansant

*Assistant Examiner* — Eidiol Ghigliotty Torres

(74) *Attorney, Agent, or Firm* — Oblon, McClelland, Maier & Neustadt, L.L.P.

(57) **CLAIM**

The ornamental design for a rotary actuator, as shown and described.

**DESCRIPTION**

FIG. 1 is a front, top, and right side perspective view of a rotary actuator showing the new design.

FIG. 2 is a rear, bottom, and left side perspective view thereof.

FIG. 3 is a front elevational view thereof.

FIG. 4 is a rear elevational view thereof.

FIG. 5 is a top plan view thereof.

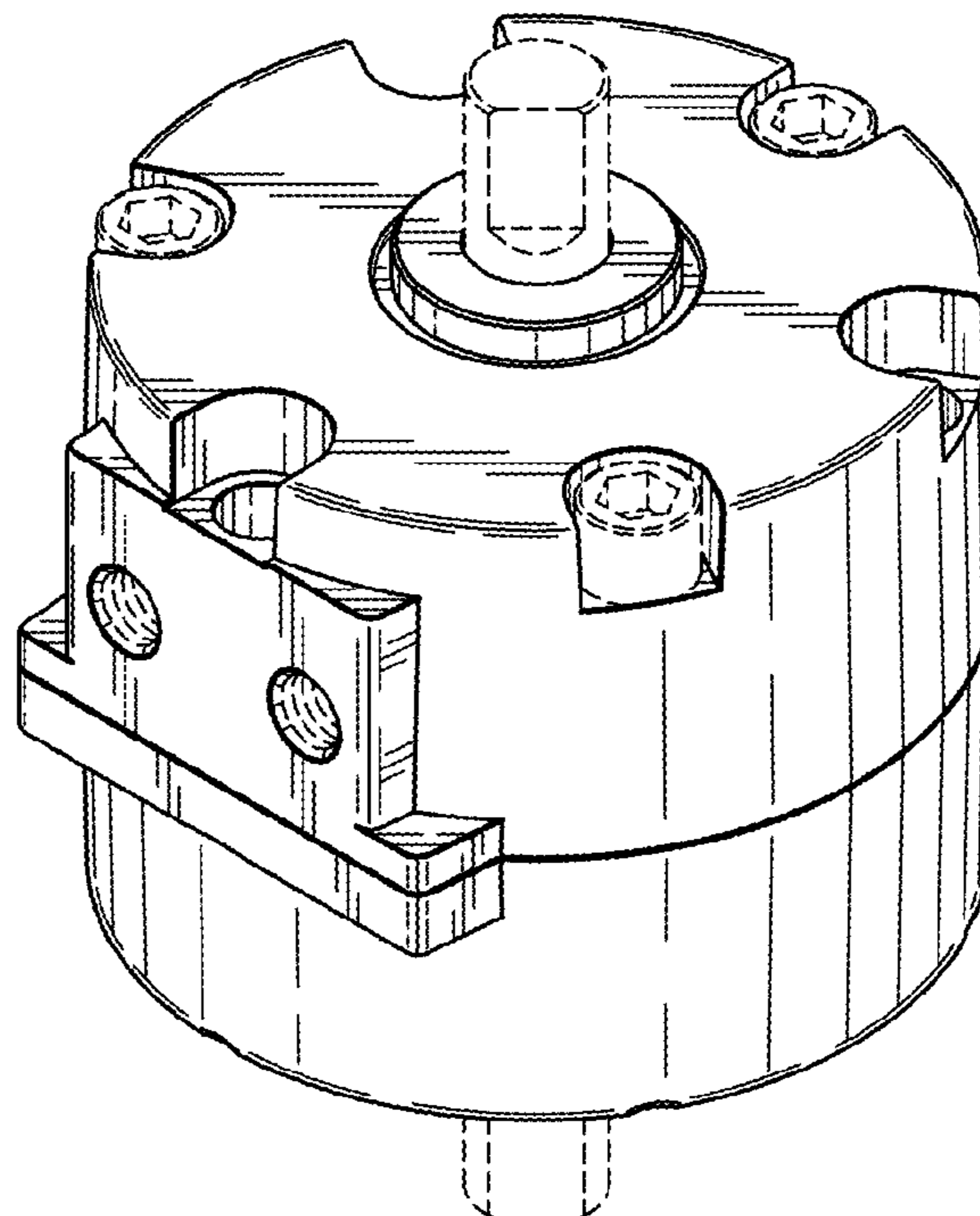
FIG. 6 is a bottom plan view thereof.

FIG. 7 is a left side elevational view thereof; and,

FIG. 8 is a right side elevational view thereof.

The broken lines depict portions of the rotary actuator that form no part of the claimed design.

**1 Claim, 4 Drawing Sheets**



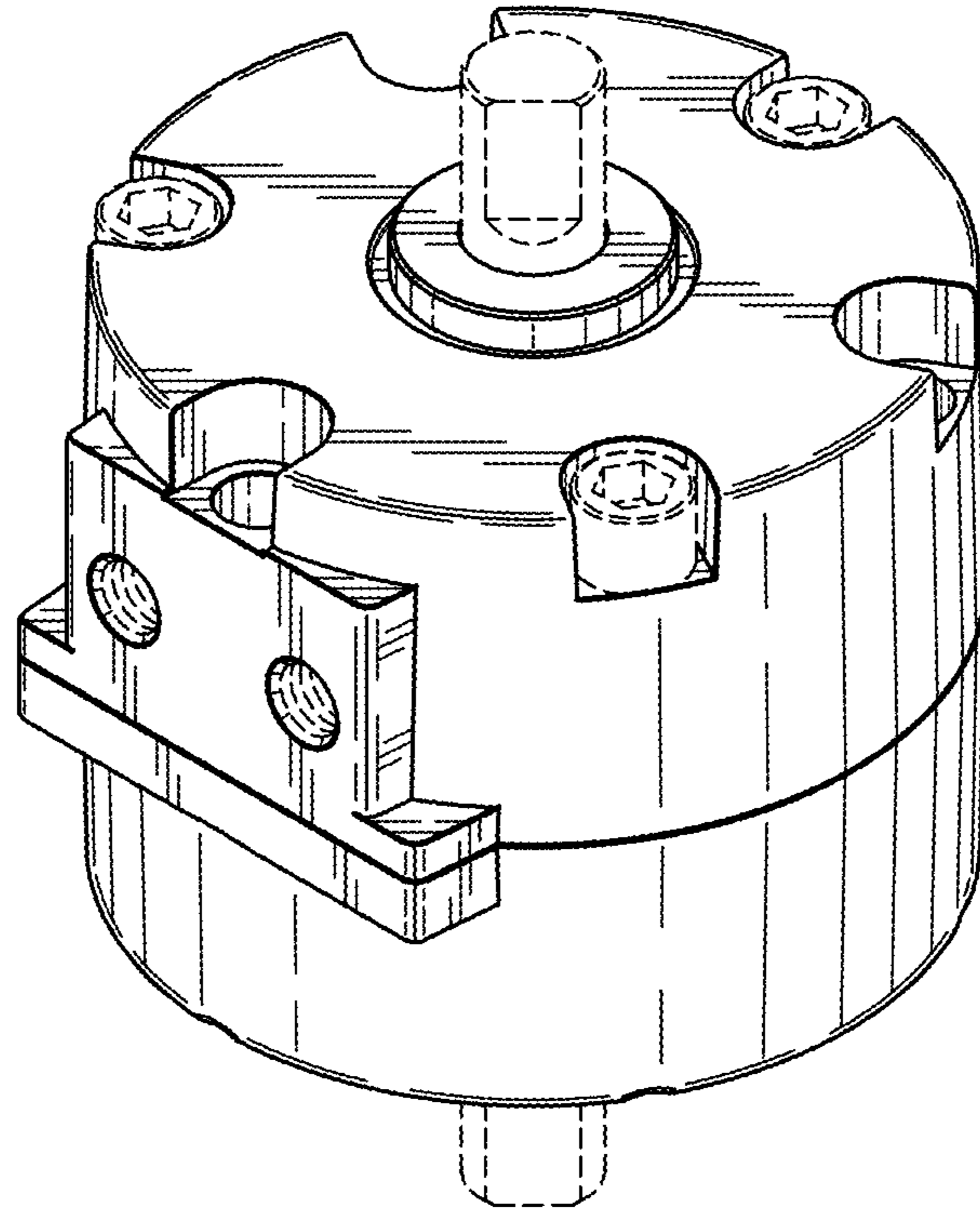


FIG. 1

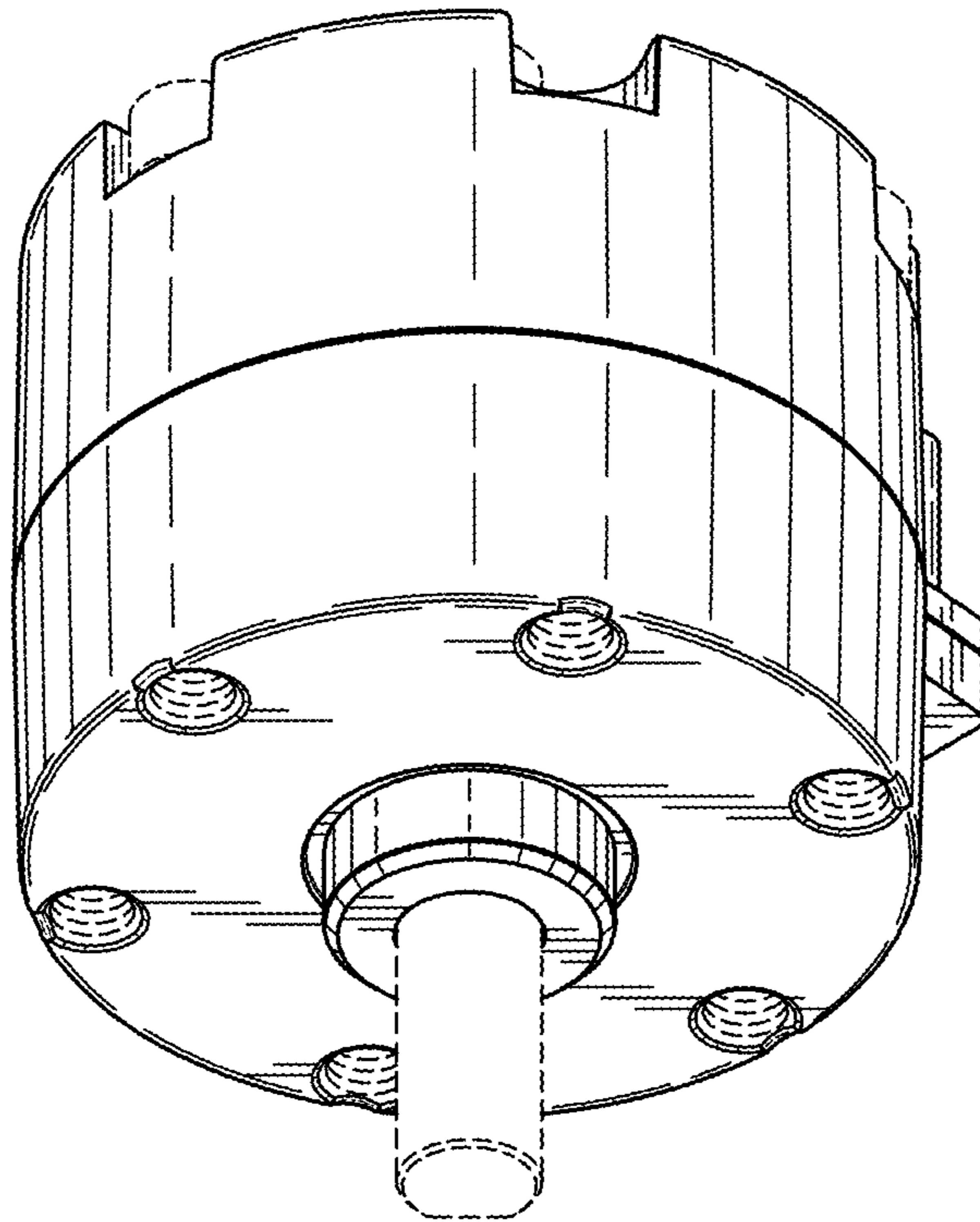


FIG. 2

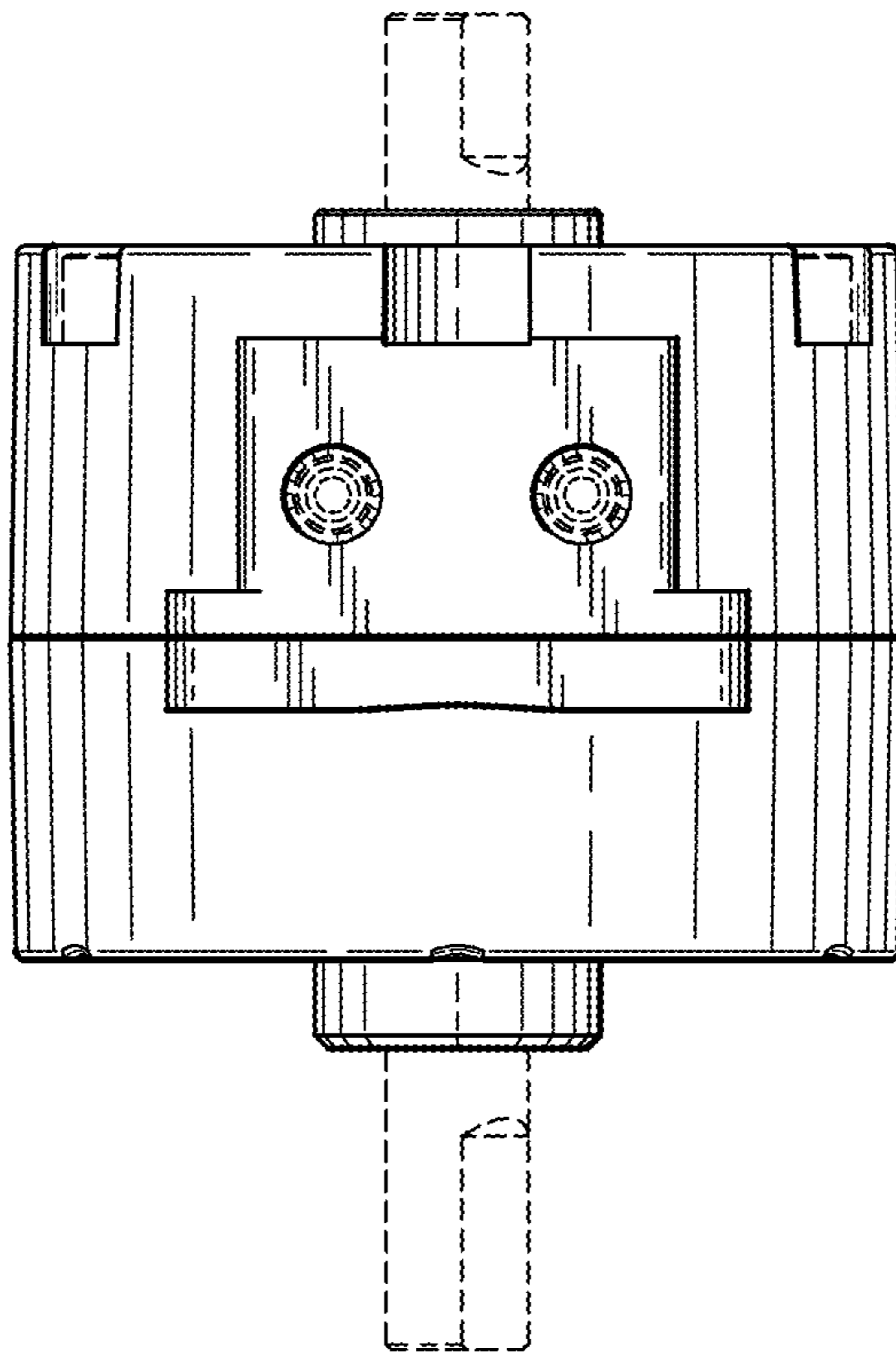


FIG. 3

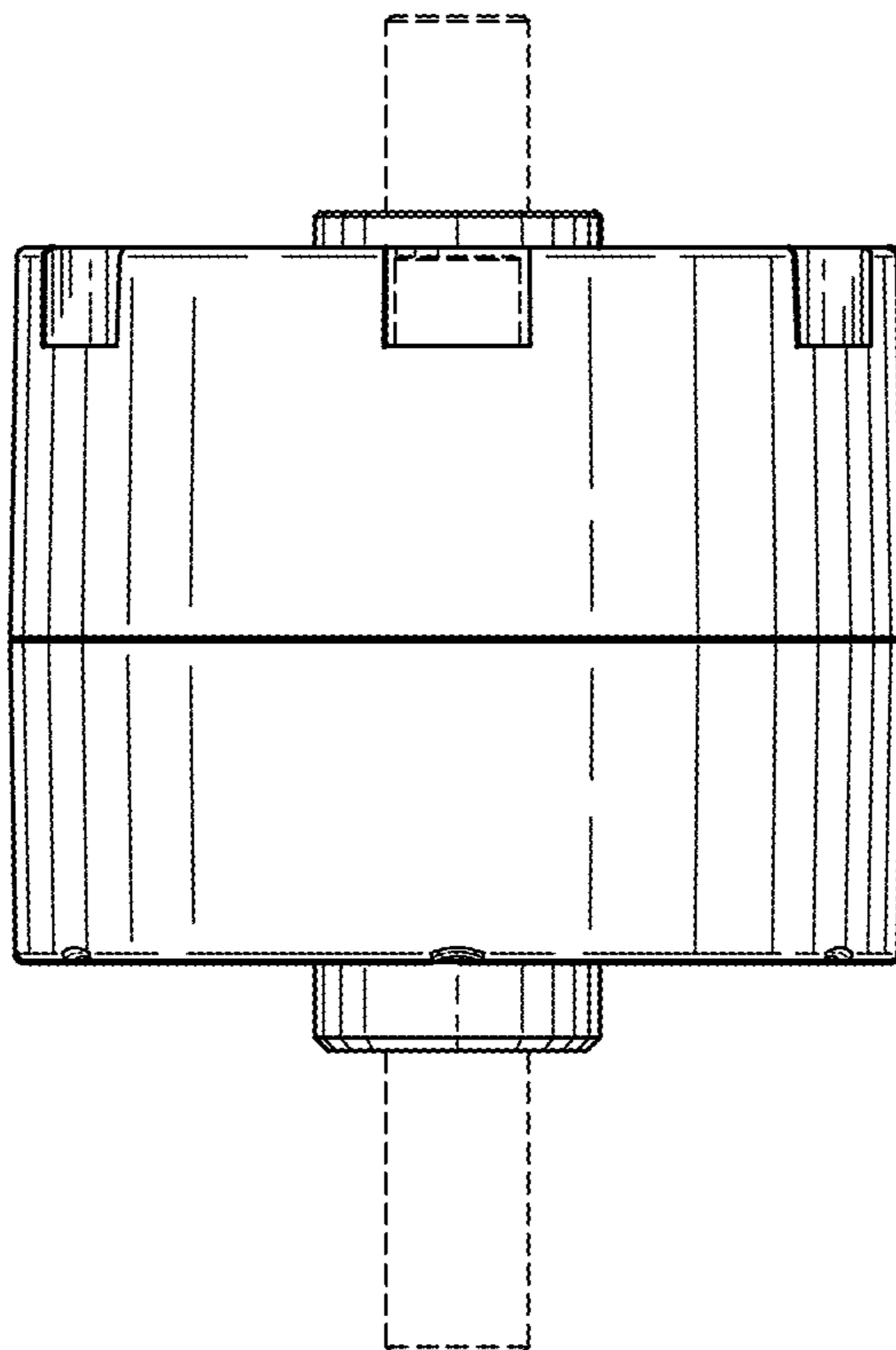


FIG. 4

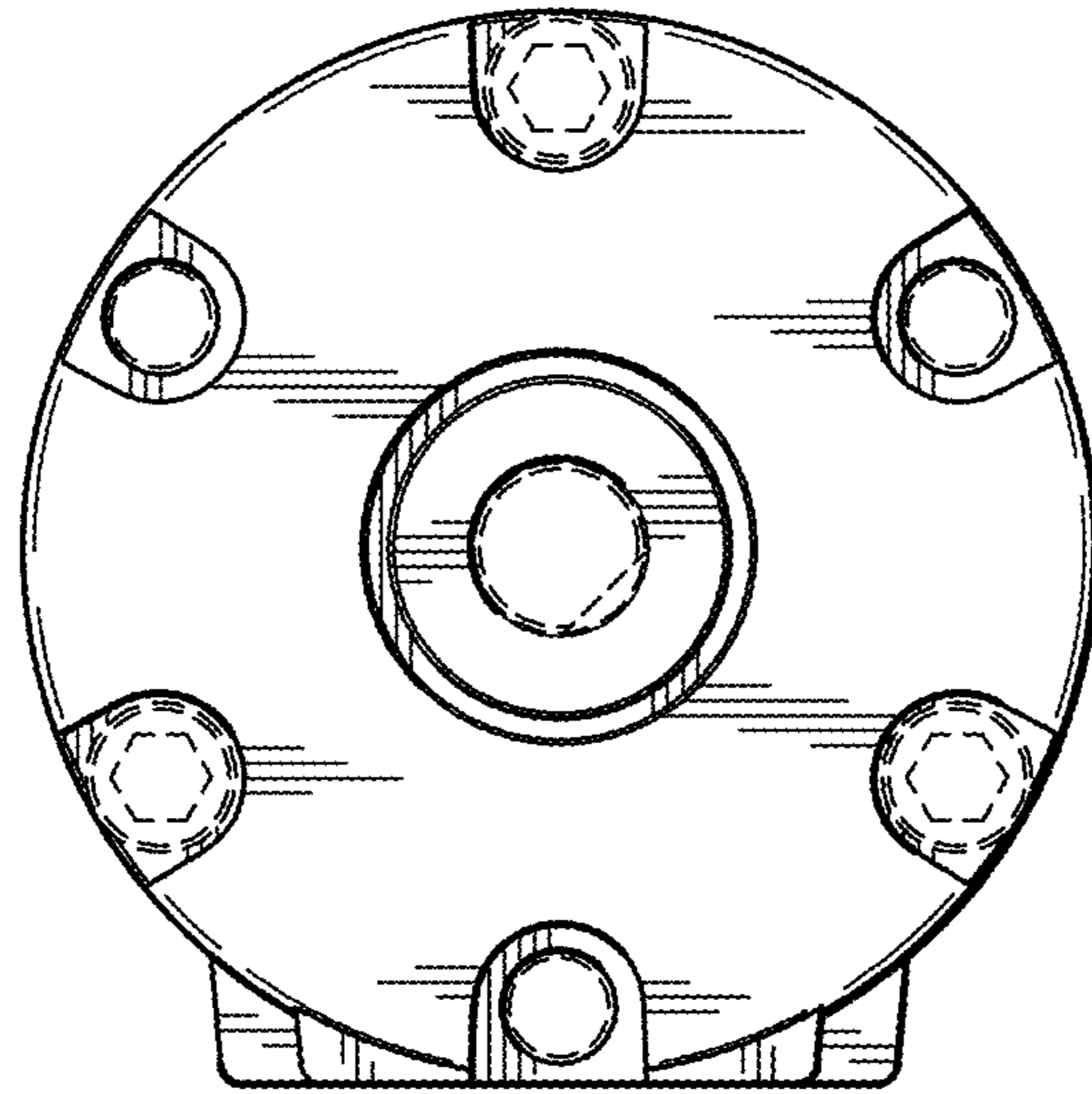


FIG. 5

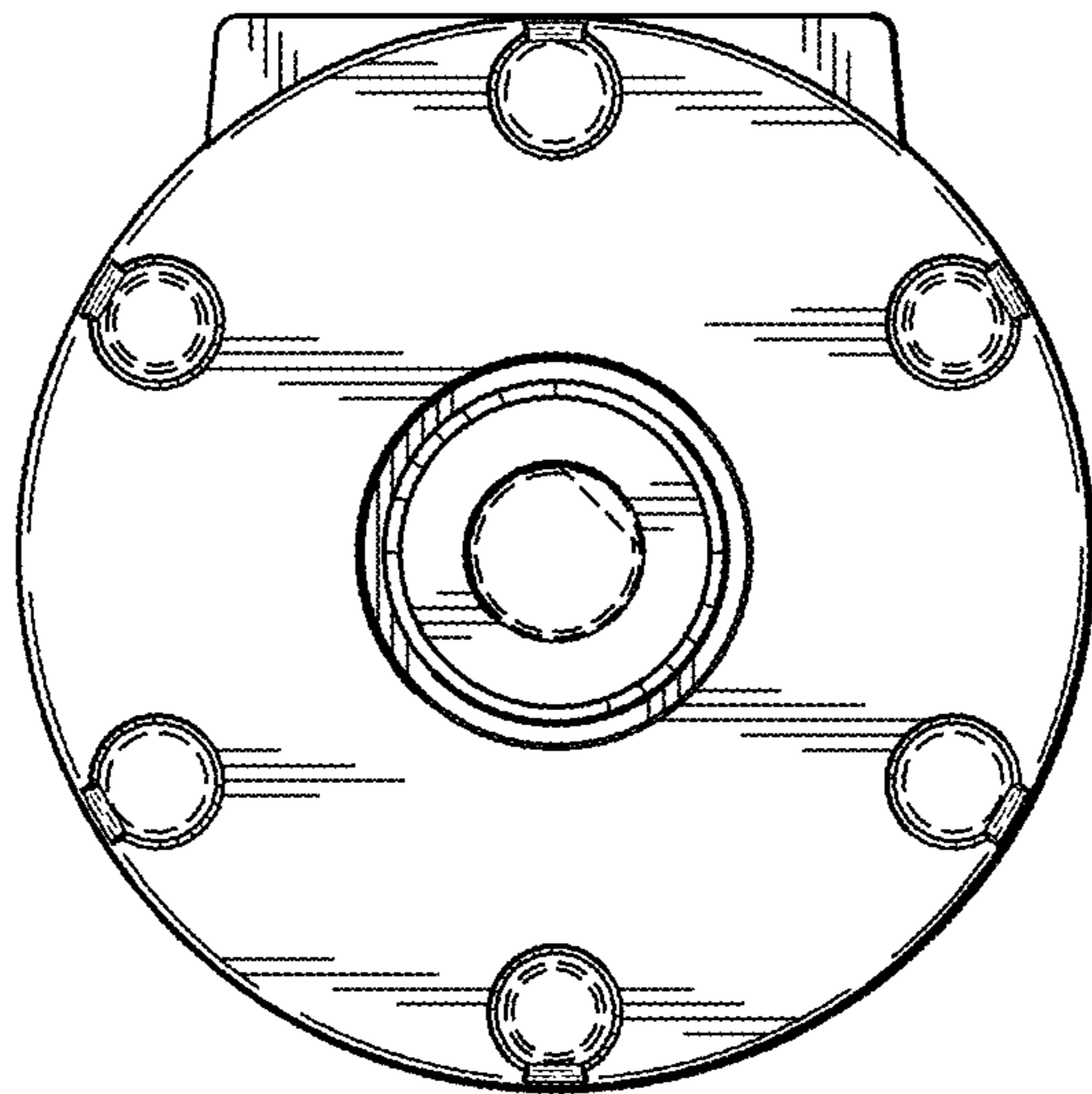


FIG. 6

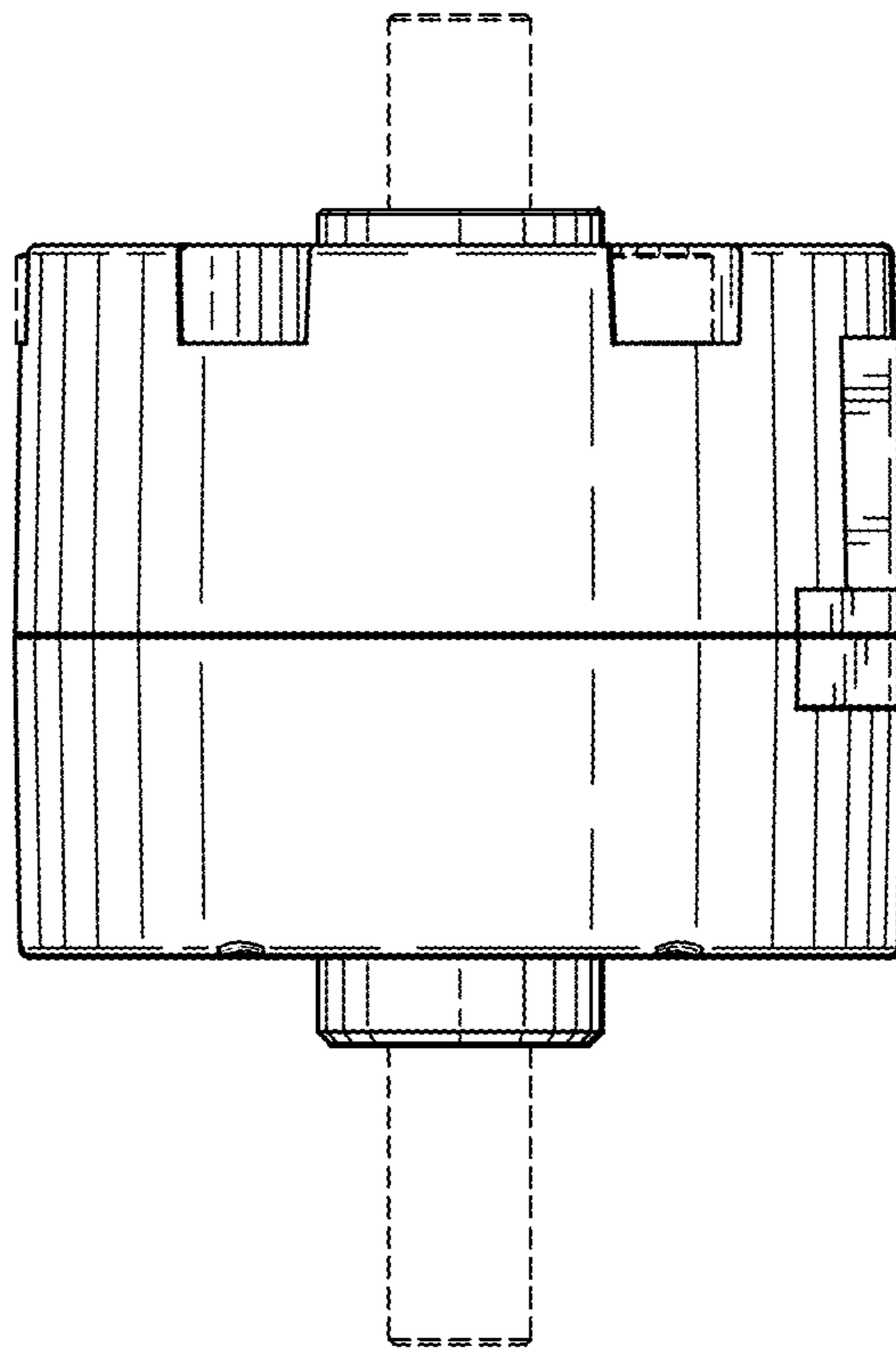


FIG. 7

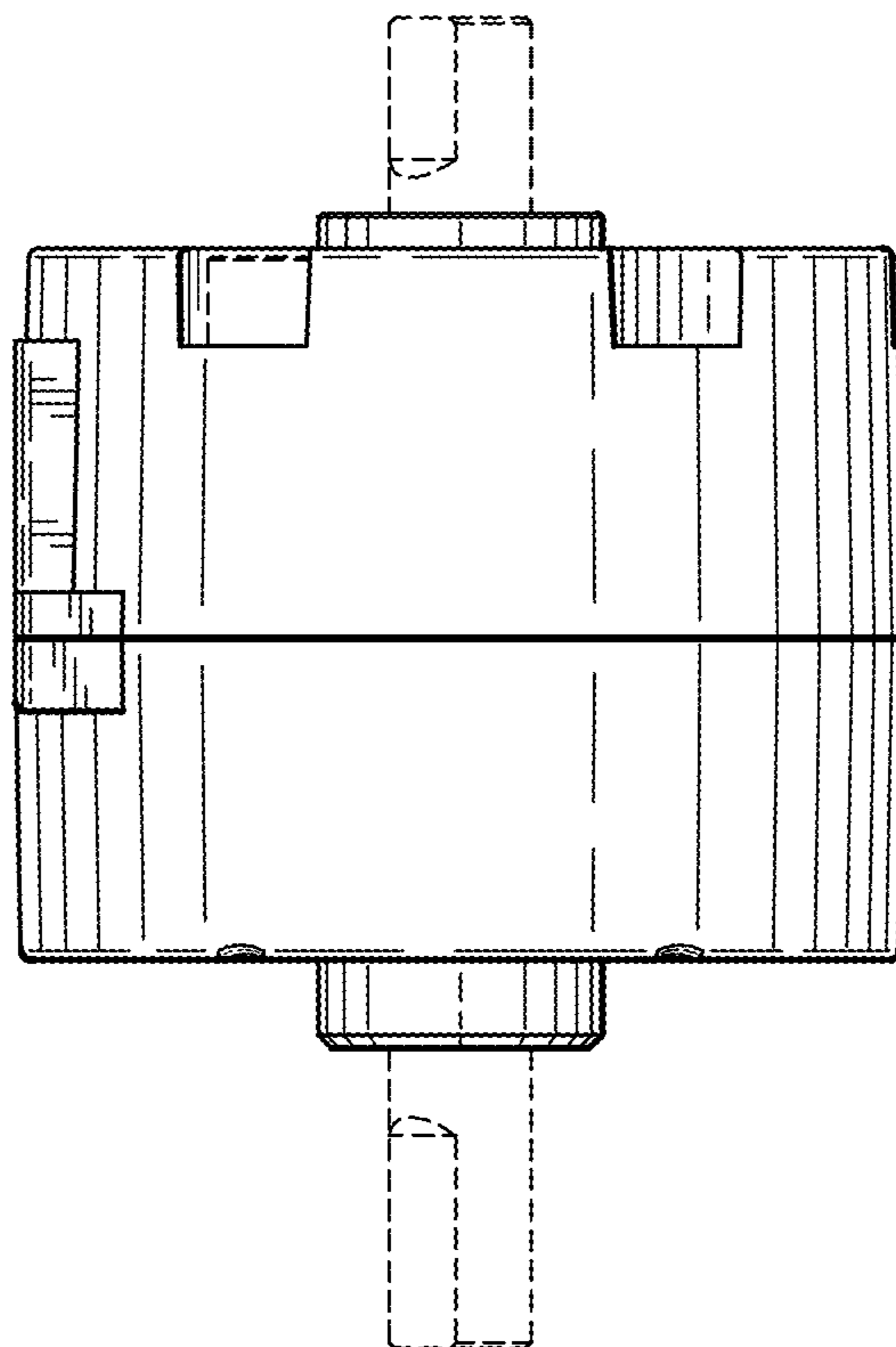


FIG. 8