



US00D987686S

(12) **United States Design Patent**
Hinobayashi et al.

(10) **Patent No.:** **US D987,686 S**

(45) **Date of Patent:** **** May 30, 2023**

(54) **INJECTOR HOLDER OF FUEL RAIL FOR GASOLINE DIRECT-INJECTION ENGINE**

(71) Applicant: **USUI CO., LTD.**, Shizuoka (JP)

(72) Inventors: **Kazuma Hinobayashi**, Shizuoka (JP);
Kazuhiro Serizawa, Shizuoka (JP)

(73) Assignee: **USUI CO., LTD.**, Shizuoka (JP)

(**) Term: **15 Years**

(21) Appl. No.: **29/772,814**

(22) Filed: **Mar. 4, 2021**

(30) **Foreign Application Priority Data**

Sep. 4, 2020 (JP) 2020-018864 D

(51) **LOC (14) Cl.** **15-01**

(52) **U.S. Cl.**
USPC **D15/5**

(58) **Field of Classification Search**
USPC D15/4, 5, 6, 7
CPC F02M 55/02; F02M 69/465; F02M 2200/852; F02M 55/00
See application file for complete search history.

(56) **References Cited**

U.S. PATENT DOCUMENTS

- 4,481,930 A * 11/1984 Chadwick F16L 55/179
123/495
- 4,630,587 A * 12/1986 Hofer F02M 59/365
123/502
- 5,022,372 A * 6/1991 Imura F02M 69/465
123/456
- 5,567,134 A * 10/1996 Inoue F02M 39/02
417/490
- 6,213,243 B1 * 4/2001 Studebaker F02M 37/0088
285/133.11

- 7,143,749 B1 * 12/2006 Colletti F02M 69/465
123/469
- 11,203,793 B2 * 12/2021 Masuda C21D 1/28
- 2005/0039725 A1 * 2/2005 Treusch F02M 69/465
123/456
- 2009/0084358 A1 * 4/2009 Zdroik F02M 69/465
123/470
- 2010/0055490 A1 * 3/2010 Sugihashi C21D 7/00
428/596
- 2012/0031996 A1 * 2/2012 Harvey F02M 55/005
239/289
- 2012/0031997 A1 * 2/2012 Harvey F02M 55/005
239/289
- 2017/0342950 A1 * 11/2017 Carey F02M 55/025
- 2021/0310453 A1 * 10/2021 Pasquali F02M 61/168

* cited by examiner

Primary Examiner — Ania Aman

(74) *Attorney, Agent, or Firm* — Eversheds Sutherland (US) LLP

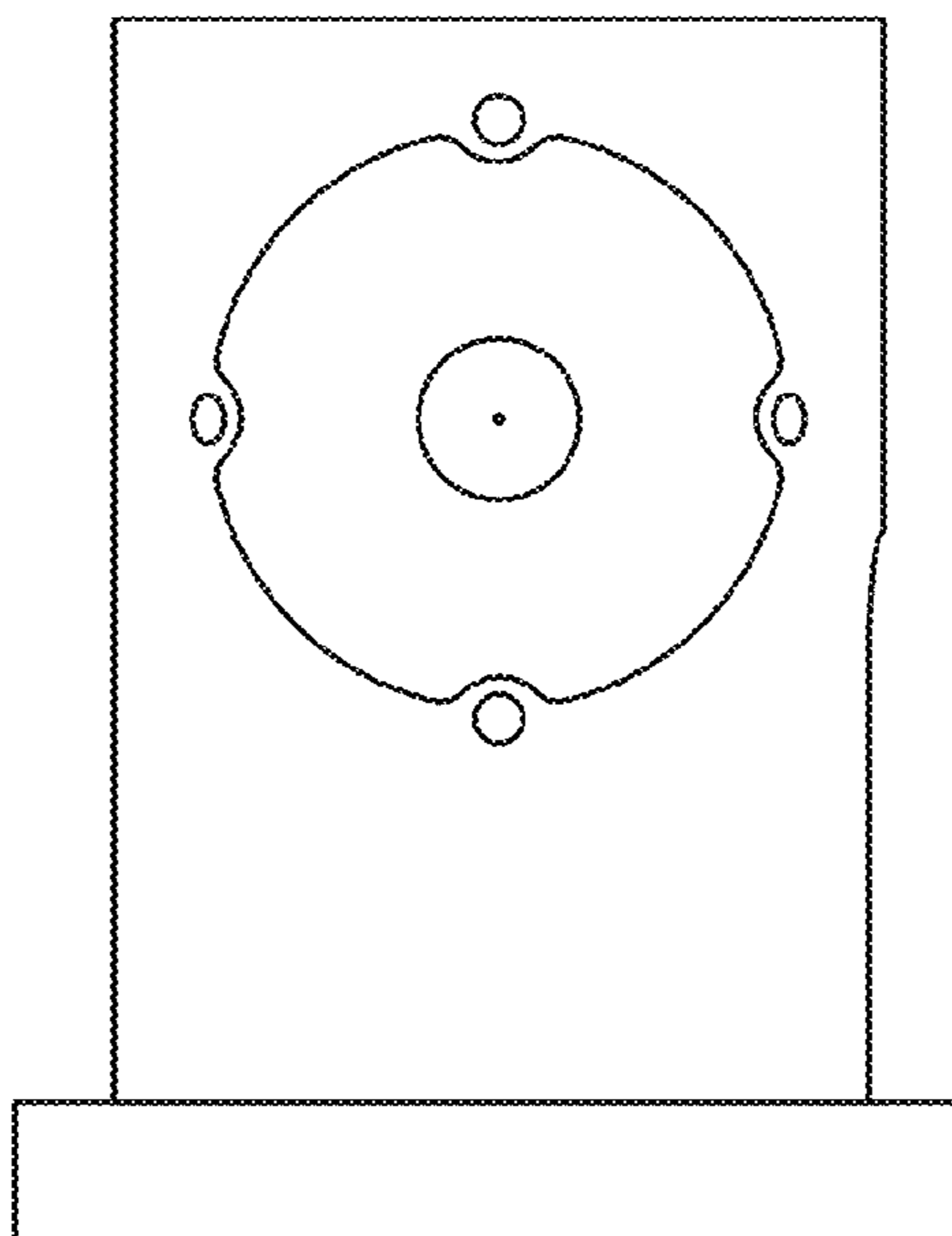
(57) **CLAIM**

The ornamental design for an injector holder of fuel rail for gasoline direct-injection engine, as shown and described.

DESCRIPTION

FIG. 1 is a front view of an injector holder of fuel rail for gasoline direct-injection engine showing our new design; FIG. 2 is a rear view thereof; FIG. 3 is a right side view thereof; FIG. 4 is a left side view thereof; FIG. 5 is a top view thereof; FIG. 6 is a bottom view thereof; FIG. 7 is a front view thereof with section lines; FIG. 8 is a cross-sectional view along line 8-8 of FIG. 7; and, FIG. 9 is a cross-sectional view along line 9-9 of FIG. 7. The dashed broken line showing is included for the purpose of illustrating portions of the article that form no part of the claim.

1 Claim, 5 Drawing Sheets



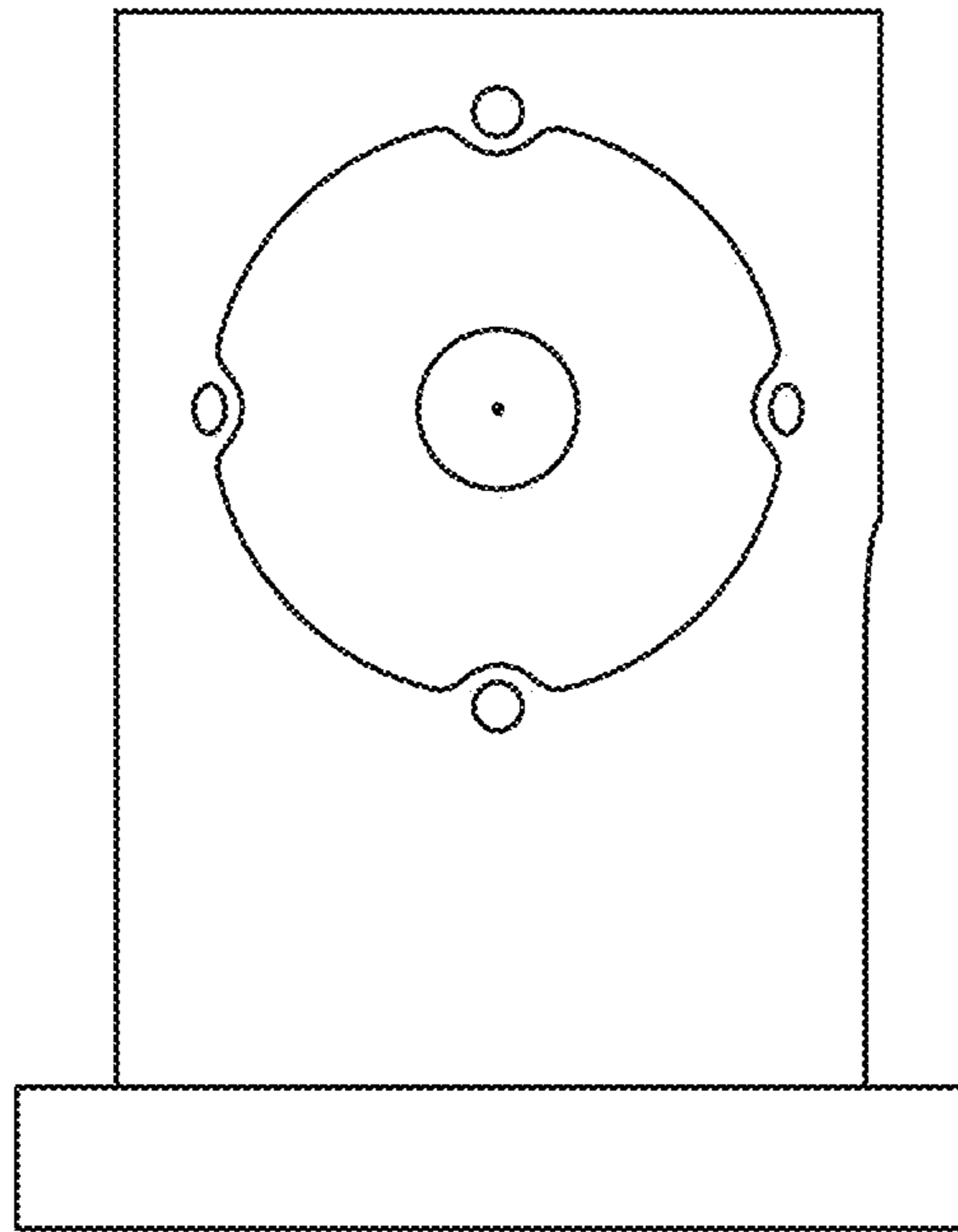


Fig. 1

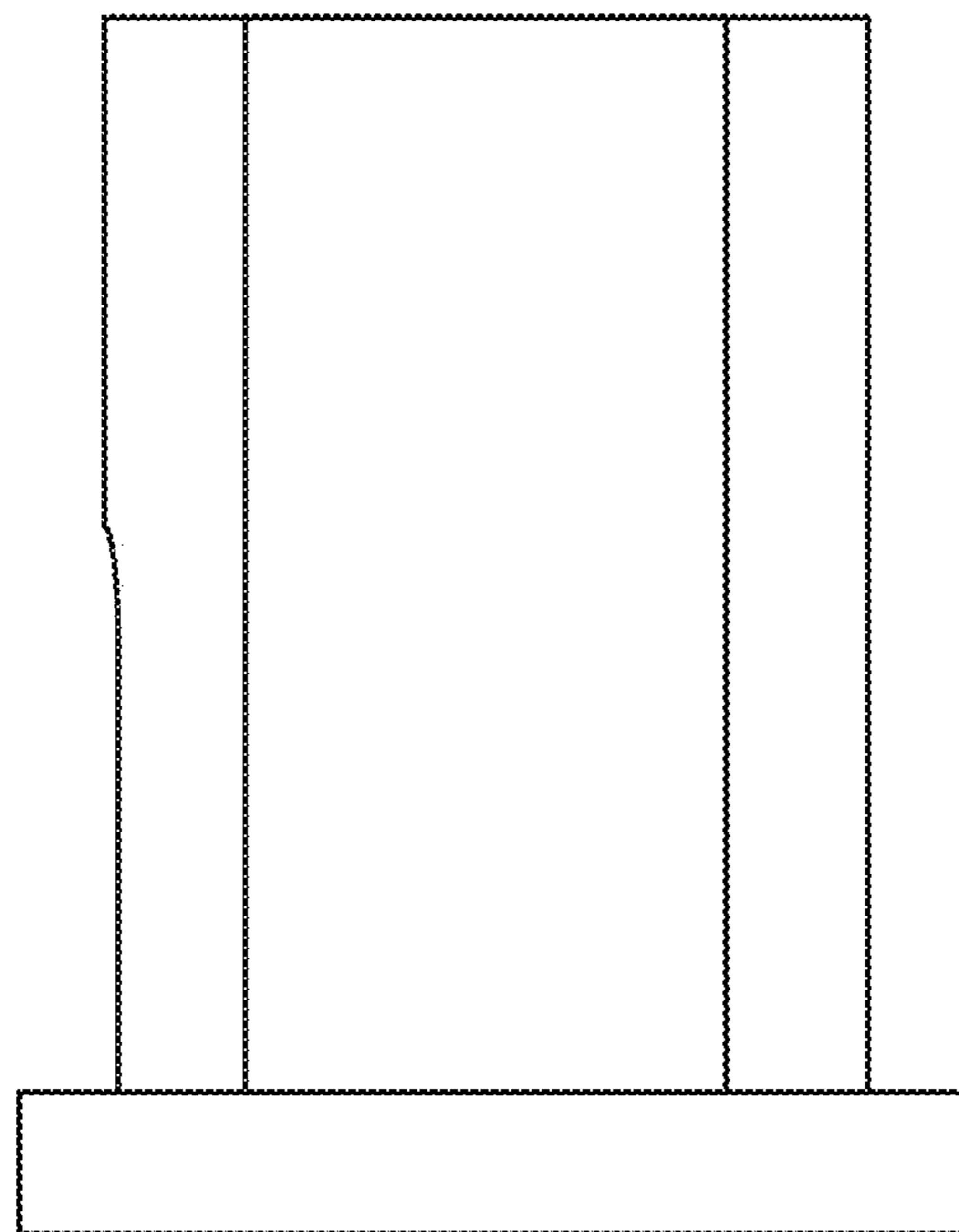


Fig. 2

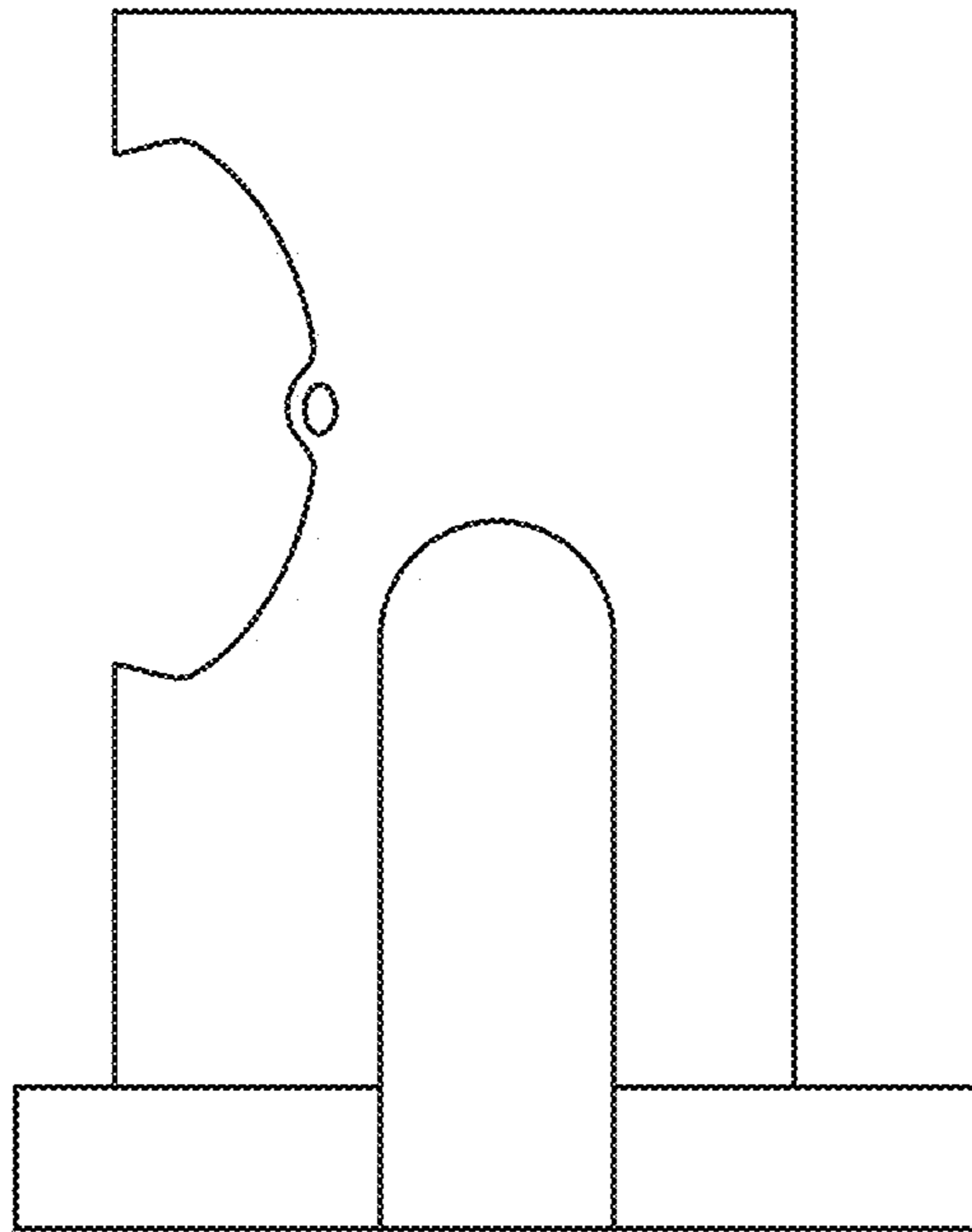


Fig. 3

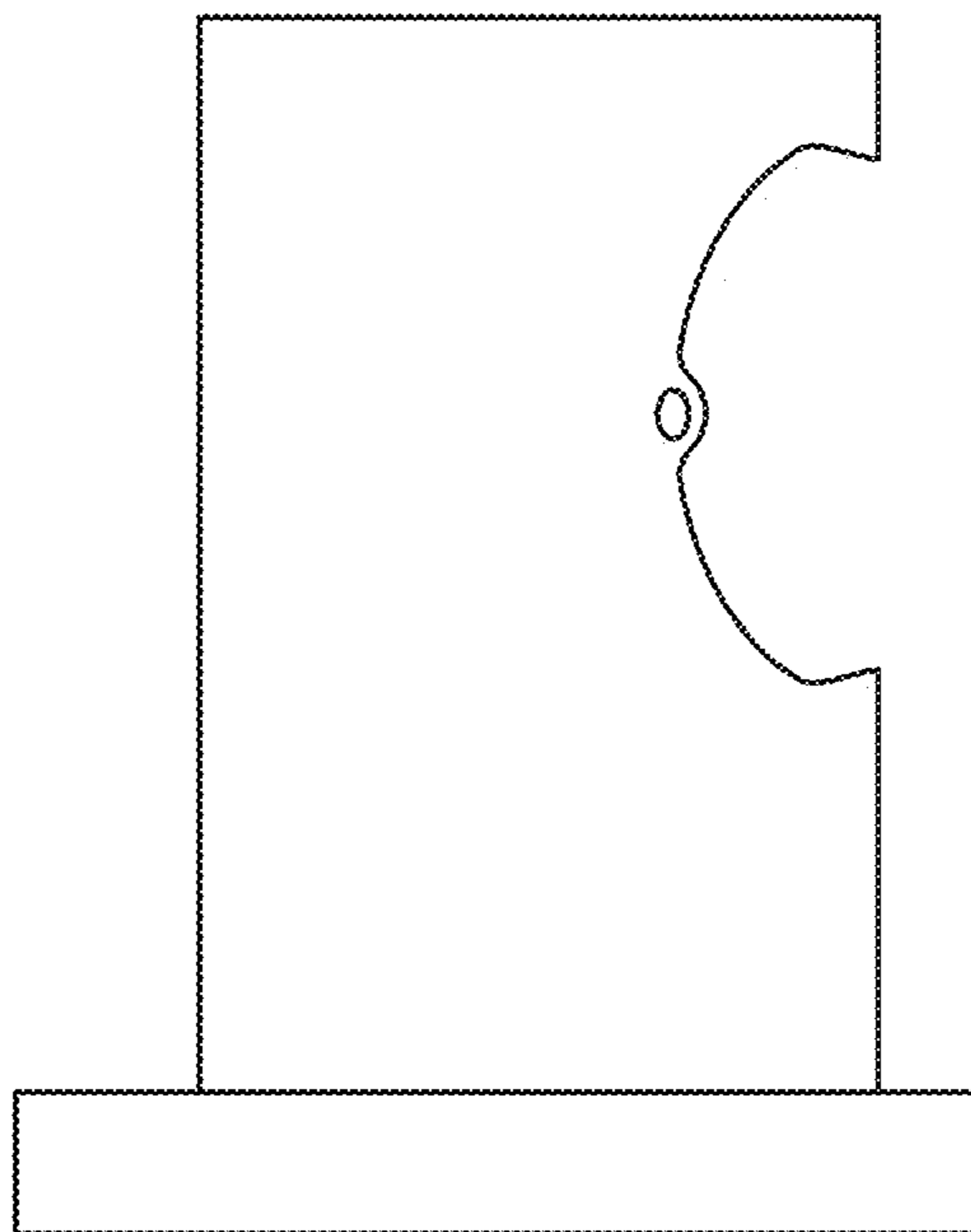


Fig. 4

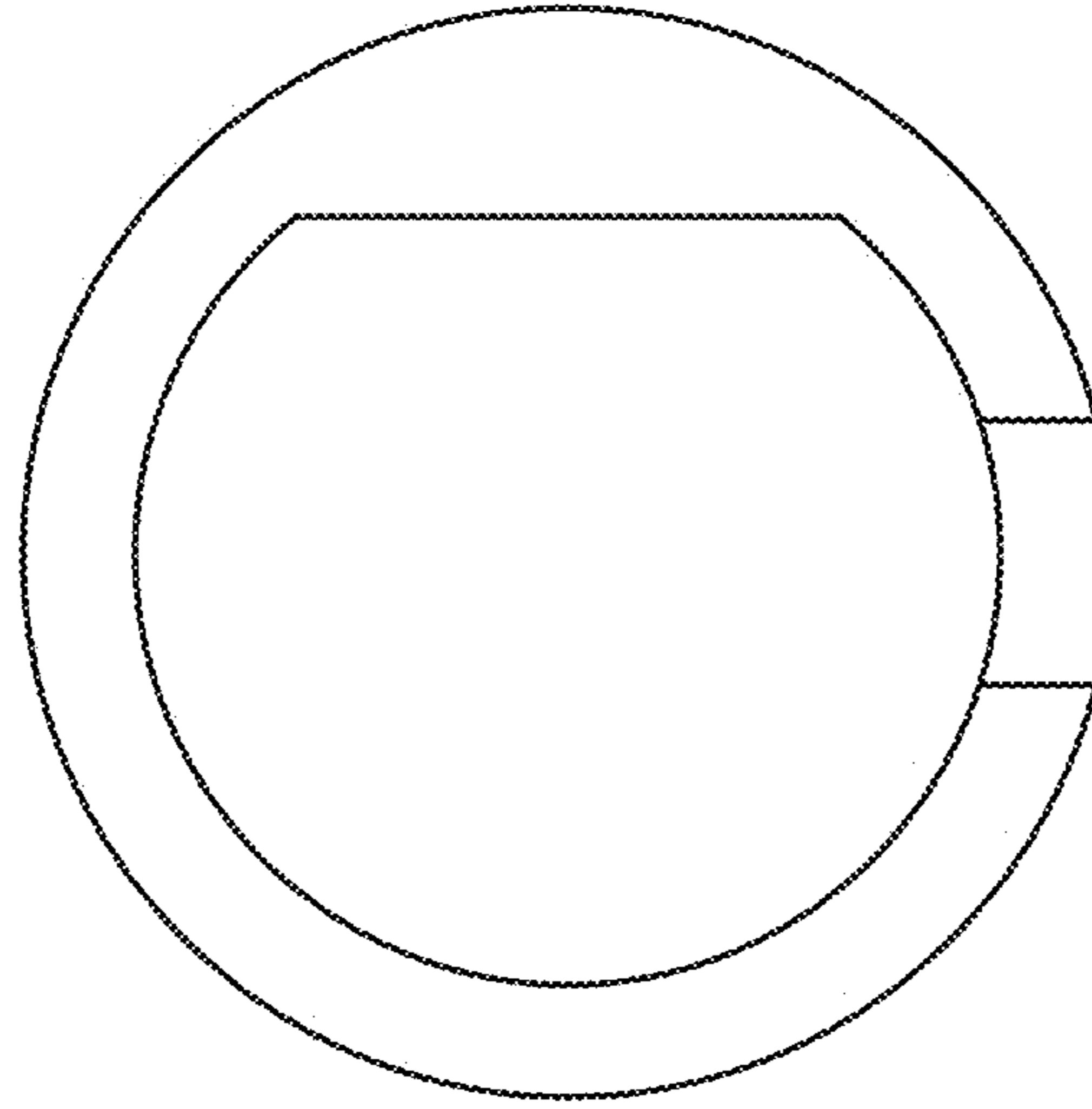


Fig. 5

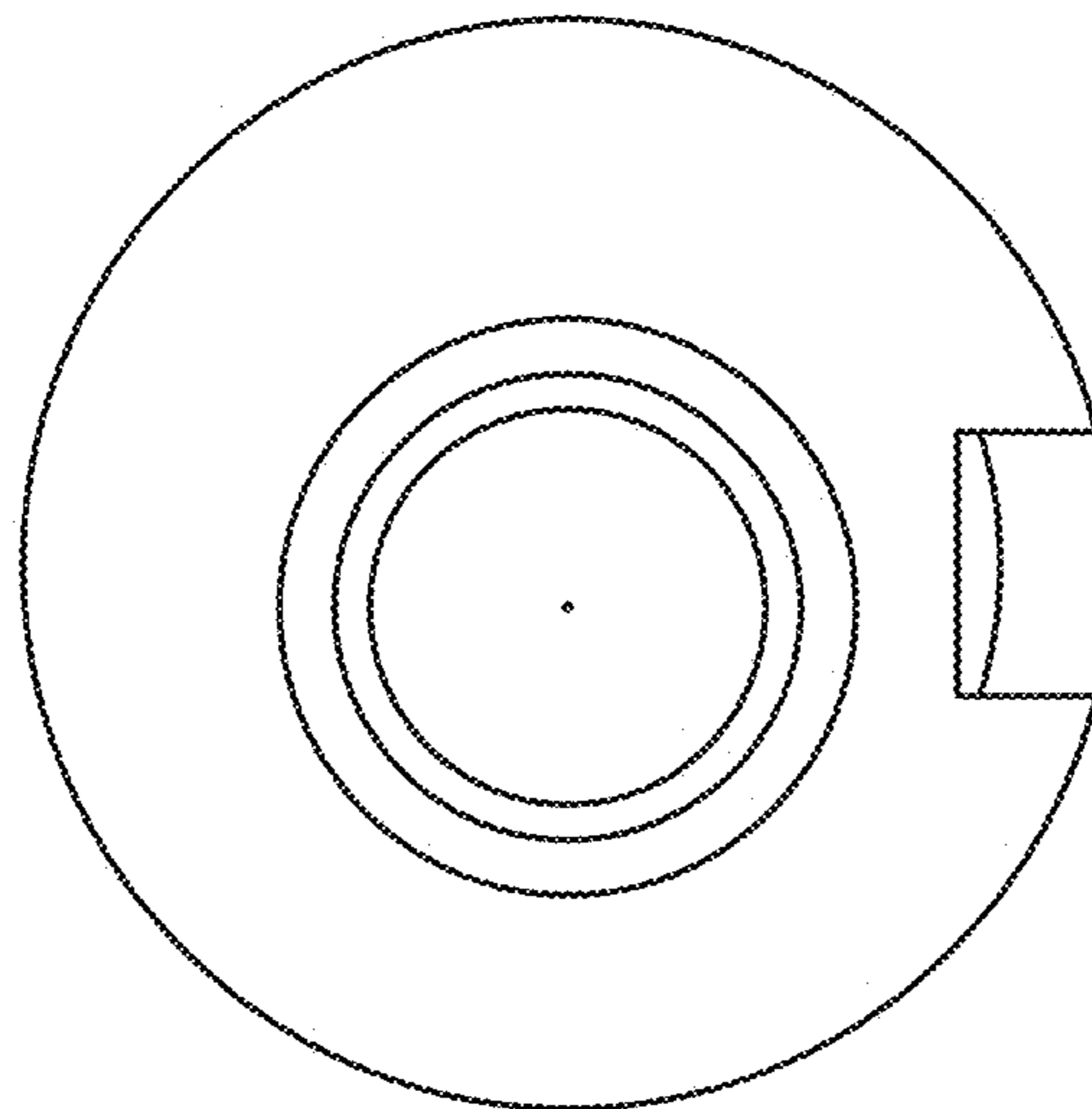


Fig. 6

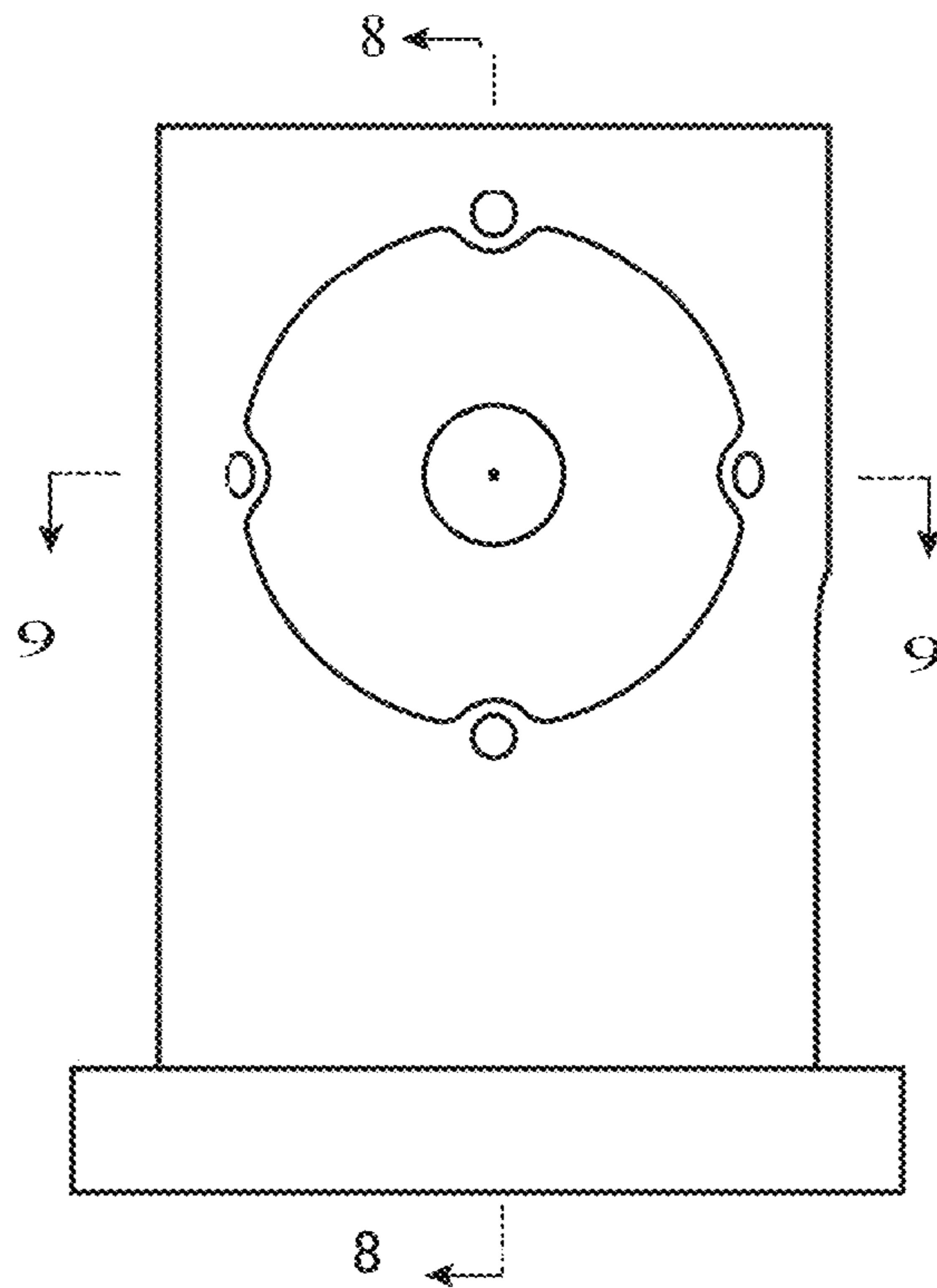


Fig. 7

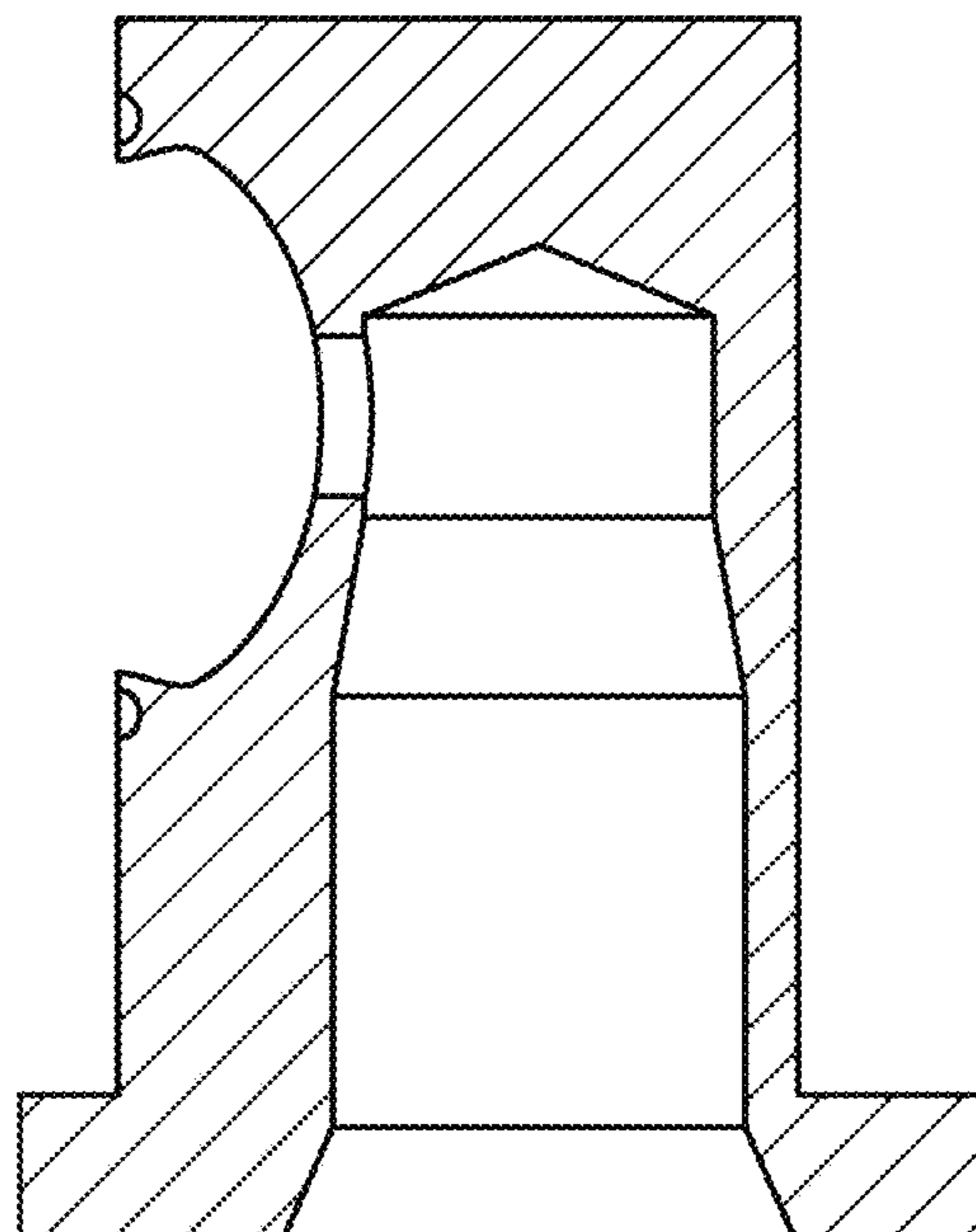


Fig. 8

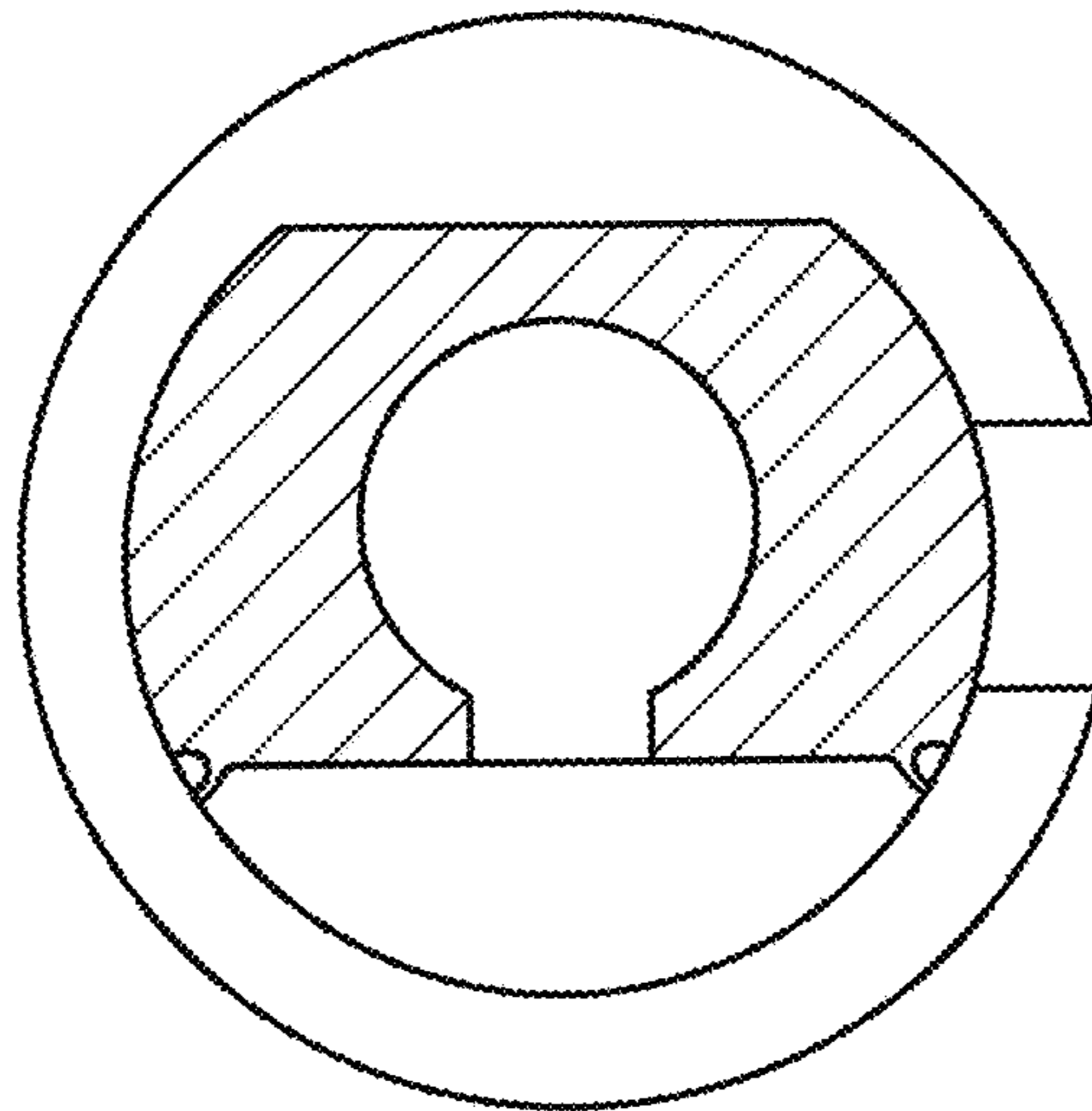


Fig. 9