



US00D987685S

(12) **United States Design Patent** (10) **Patent No.:** **US D987,685 S**
Sanders et al. (45) **Date of Patent:** **** May 30, 2023**

(54) **MANIFOLD SENSOR**

(71) Applicant: **EControls, LLC**, San Antonio, TX (US)

(72) Inventors: **Justin H. Sanders**, San Antonio, TX (US); **Randall W. Walser**, Canadian, TX (US); **Thomas Branyon**, San Antonio, TX (US)

(73) Assignee: **EControls, LLC**, San Antonio, TX (US)

(**) Term: **15 Years**

(21) Appl. No.: **29/751,370**

(22) Filed: **Sep. 21, 2020**

(51) **LOC (14) Cl.** **15-01**

(52) **U.S. Cl.**
USPC **D15/5**

(58) **Field of Classification Search**
USPC D15/1, 2, 3, 4, 5, 6; D10/96, 49, 50
CPC F02M 35/021; F02M 35/10393; F02M 35/10373; F02M 35/1038; F02M 35/10386; F02D 41/18; F02D 9/105
See application file for complete search history.

(56) **References Cited**

U.S. PATENT DOCUMENTS

D447,972 S *	9/2001	Igarashi	D10/50
D674,303 S *	1/2013	Saito	D10/96
D717,184 S *	11/2014	Yogo	D10/53
9,611,821 B2 *	4/2017	Smith	F02M 35/1038
11,105,292 B2 *	8/2021	Ando	F02M 35/10393
2015/0377193 A1 *	12/2015	Smith	F02M 35/1038 73/756
2019/0293032 A1 *	9/2019	Kamiya	B01D 35/30
2020/0158550 A1 *	5/2020	Yamaguchi	G01F 15/16
2020/0200613 A1 *	6/2020	Yogo	G01K 13/024

2021/0123394 A1 *	4/2021	Ando	F02M 35/10393
2021/0190560 A1 *	6/2021	Kono	G01F 1/6842
2022/0026252 A1 *	1/2022	Sudou	F02D 41/18
2022/0074375 A1 *	3/2022	Gorai	G01F 1/6842

OTHER PUBLICATIONS

EnviroTech Sensor Specification Sheet, property of EControls, Inc., San Antonio, TX, 2018 (and earlier).

* cited by examiner

Primary Examiner — Ania Aman

(74) *Attorney, Agent, or Firm* — William H. Quirk; Alexander J. Antonio; Rosenthal Pauerstein Sandoloski Agather, LLP

(57) **CLAIM**

We claim the ornamental design for a manifold sensor, substantially as shown and described.

DESCRIPTION

FIG. 1 is a perspective view of the manifold sensor in accordance with the present design.

FIG. 2 is a front elevational view of the manifold sensor of FIG. 1.

FIG. 3 is a rear elevational view of the manifold sensor of FIG. 1.

FIG. 4 is a left side elevational view of the manifold sensor of FIG. 1.

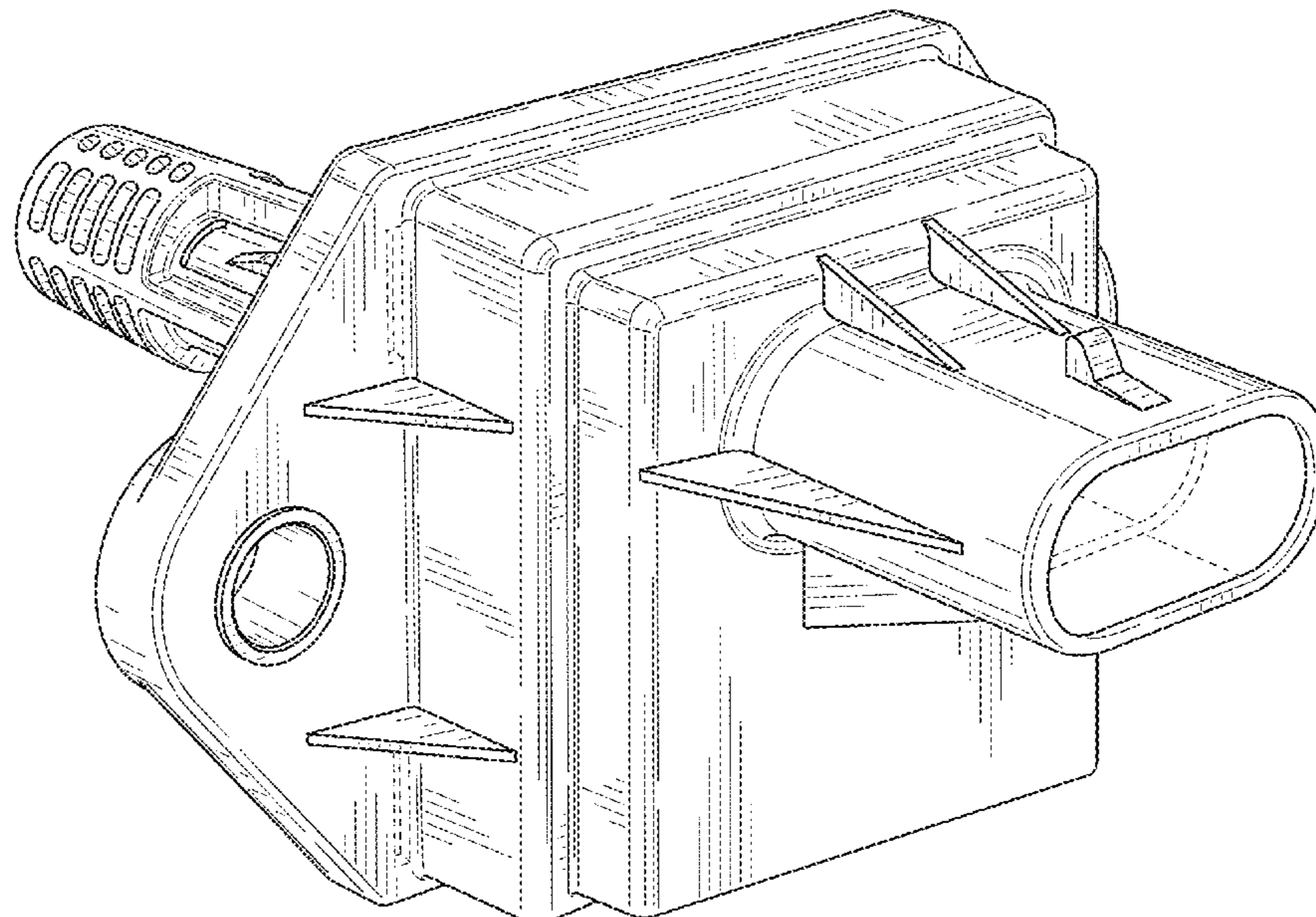
FIG. 5 is a right side elevational view of the manifold sensor of FIG. 1.

FIG. 6 is a top plan view of the manifold sensor of FIG. 1; and,

FIG. 7 is a bottom plan view of the manifold sensor of FIG. 1.

The broken lines shown on the drawing views are for the purpose of illustrating environmental structure and form no part of the claimed design.

1 Claim, 6 Drawing Sheets



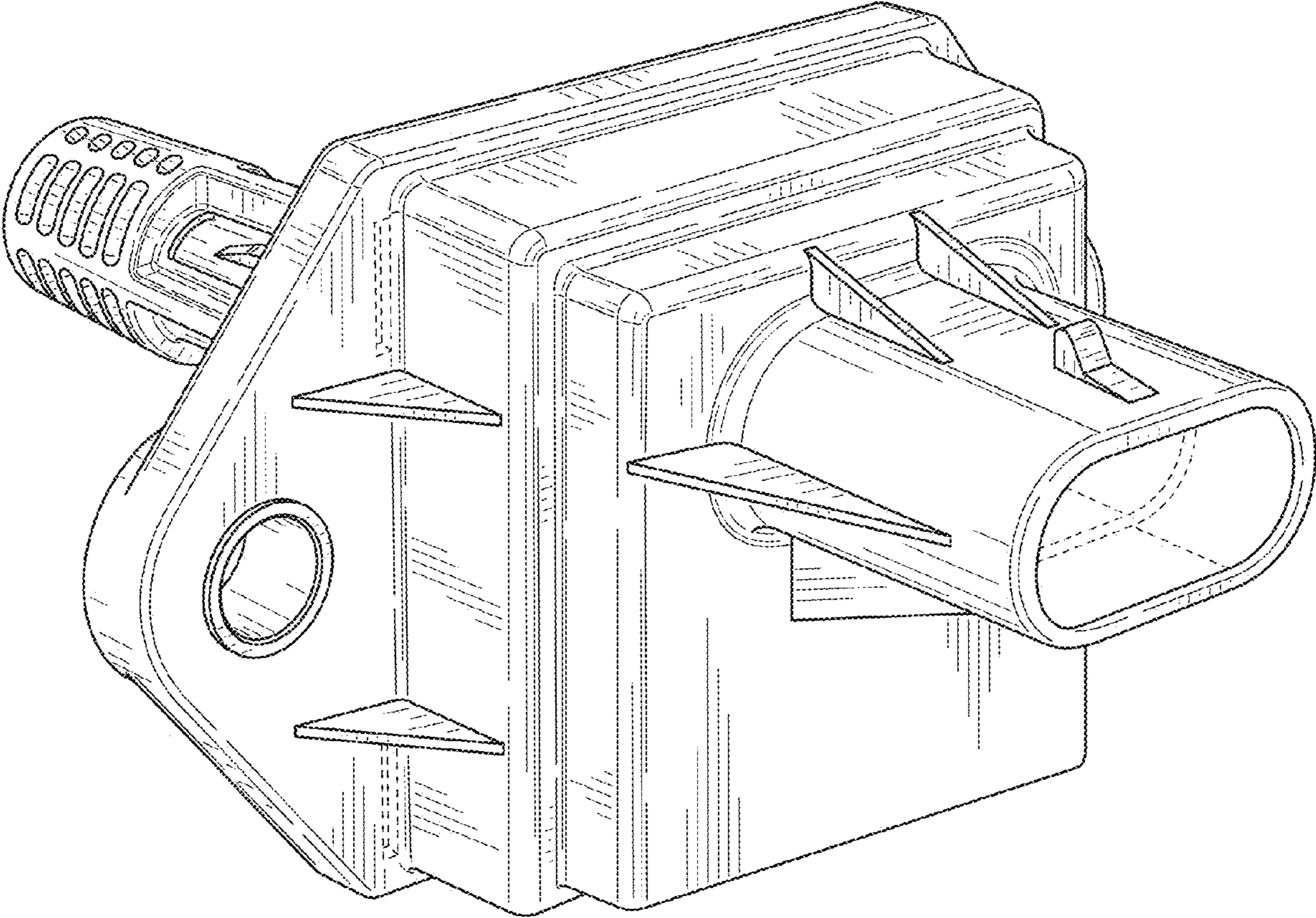


FIG. 1

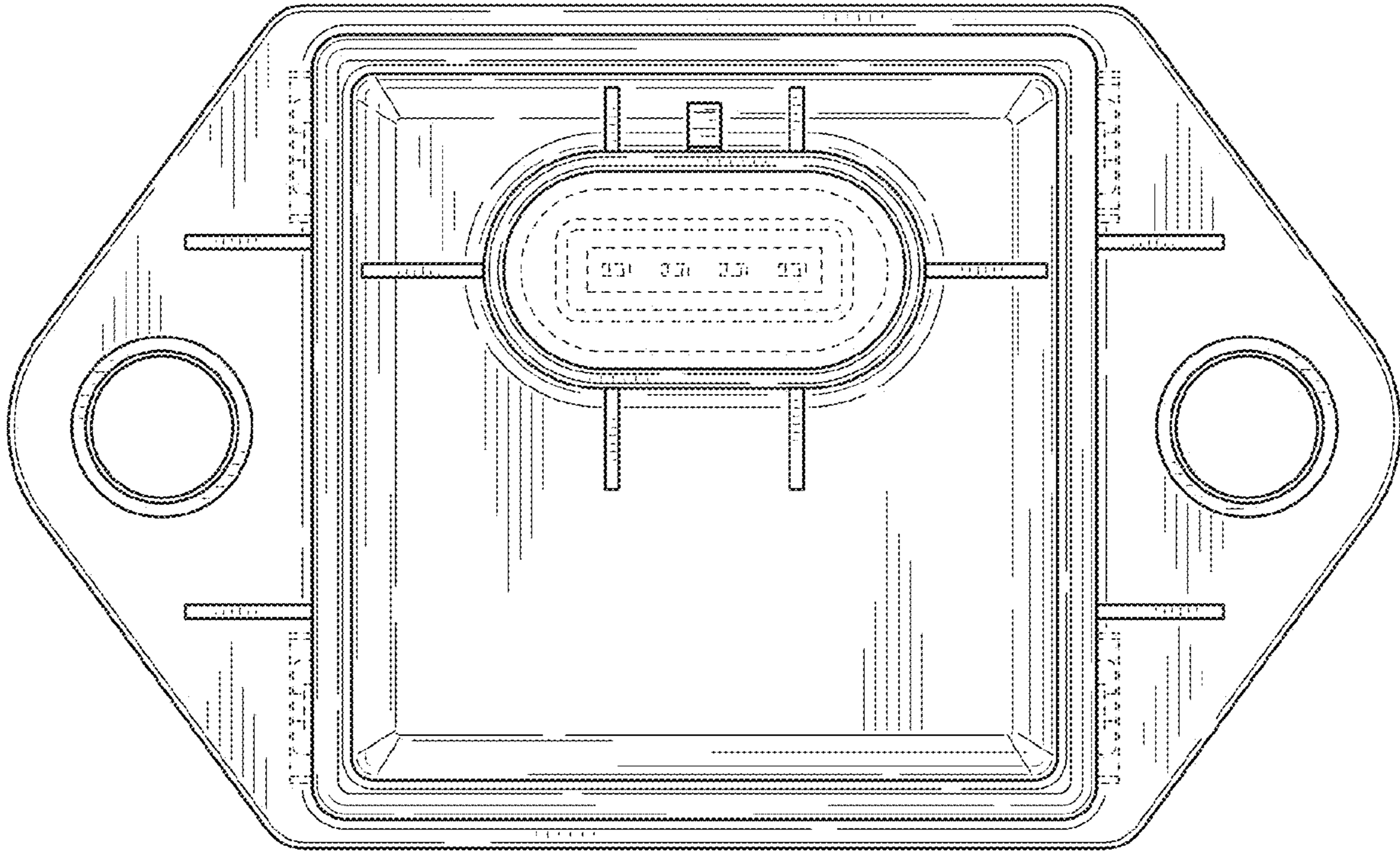


FIG. 2

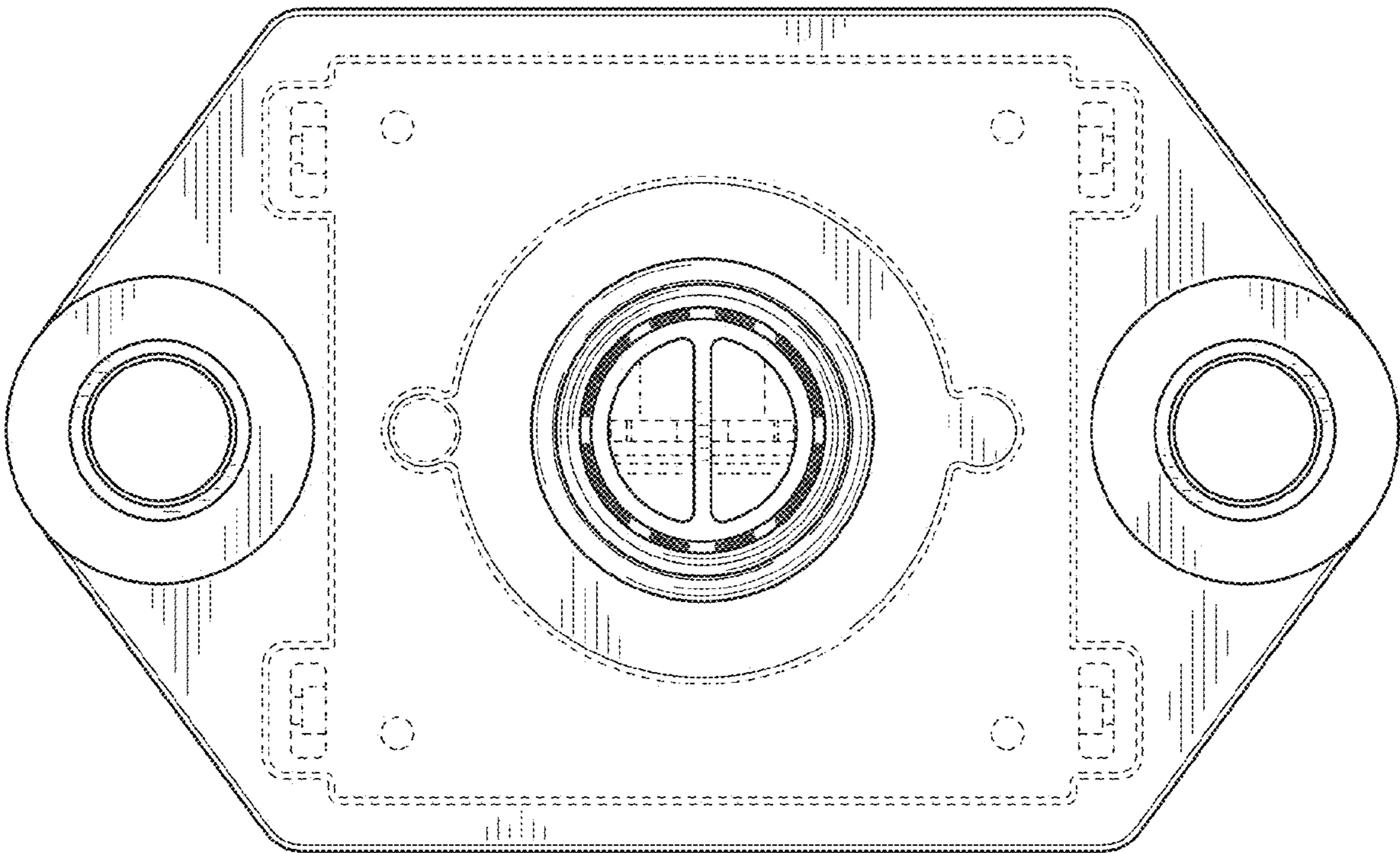


FIG. 3

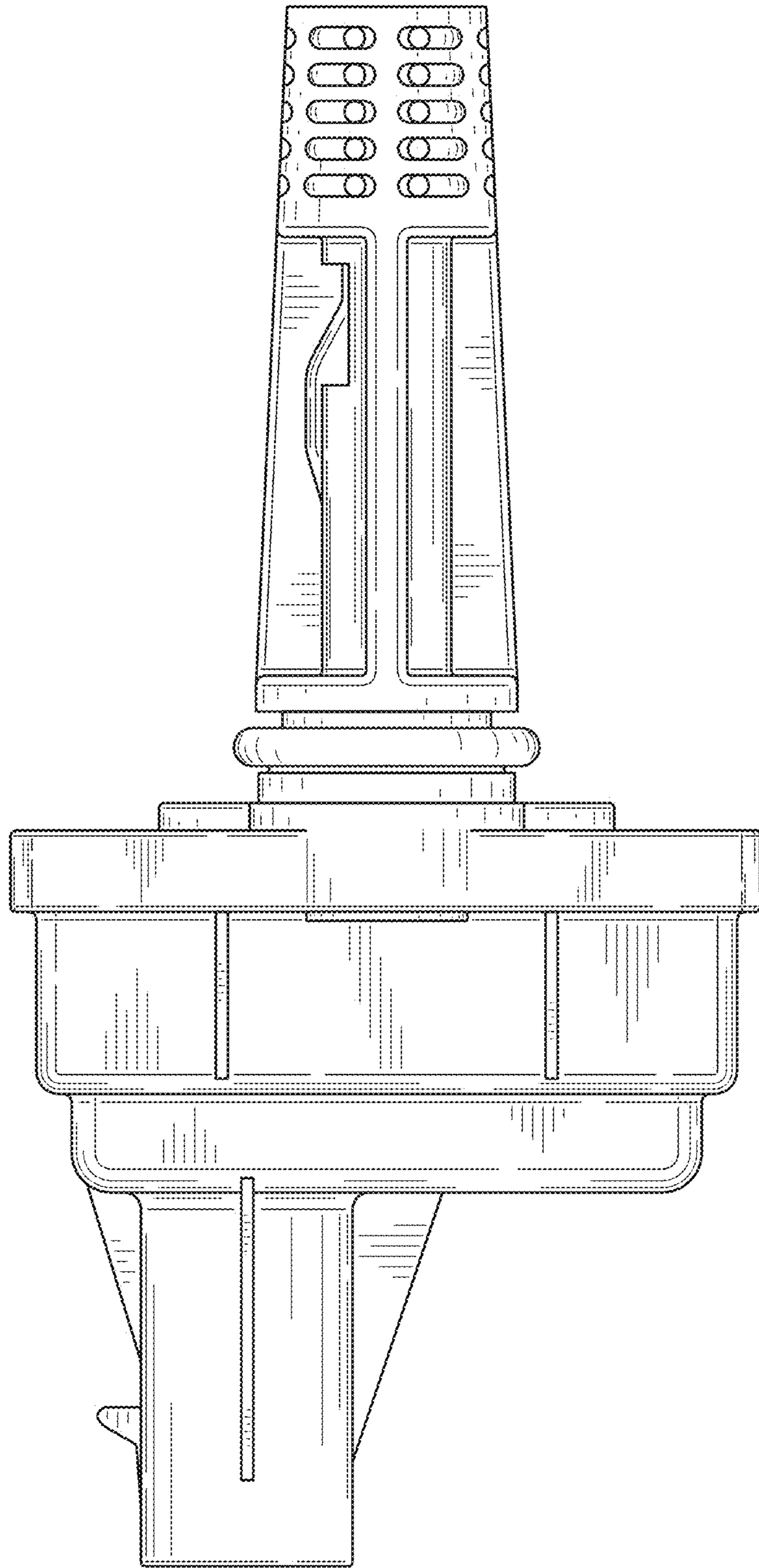


FIG. 4

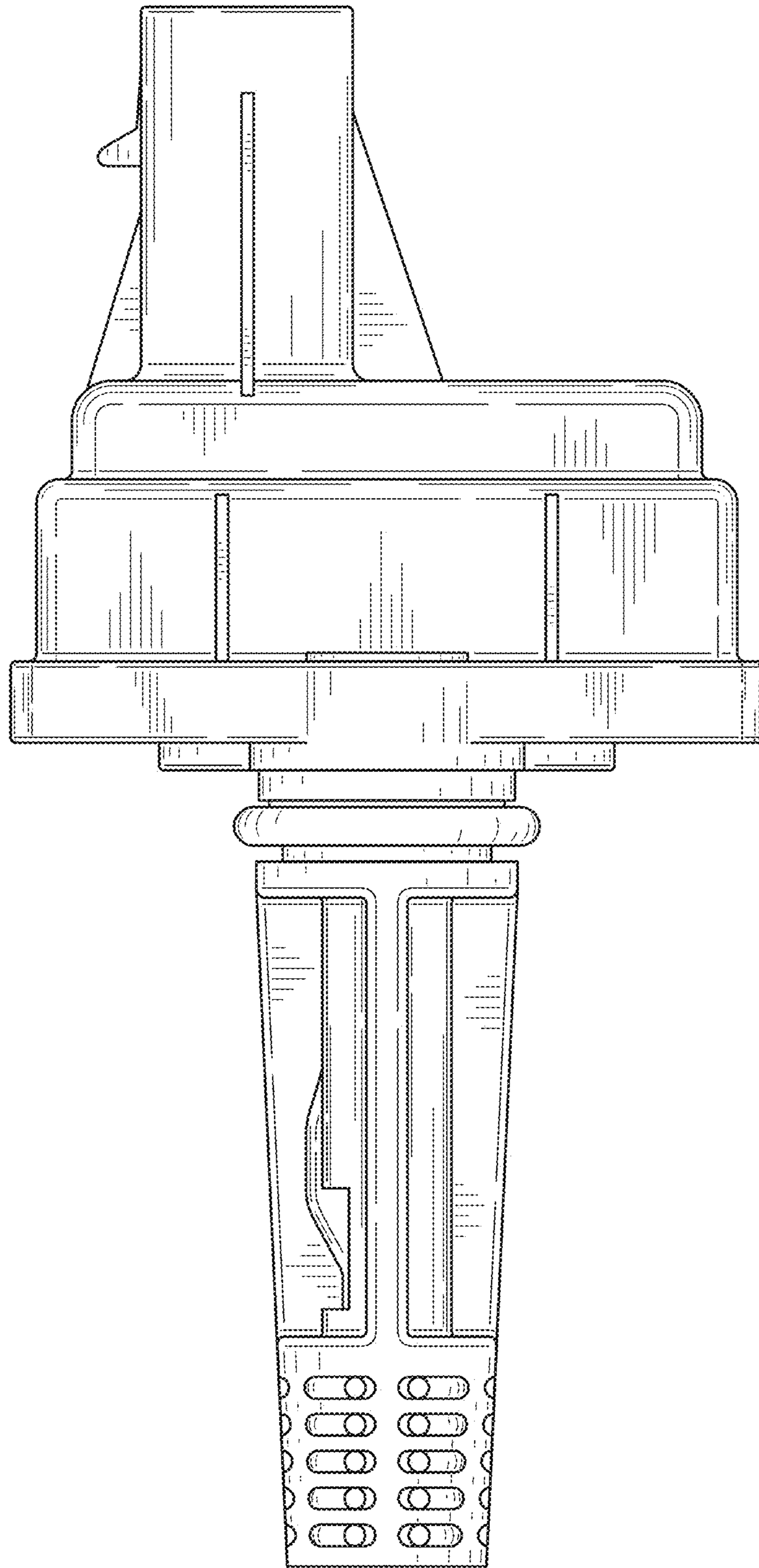


FIG. 5

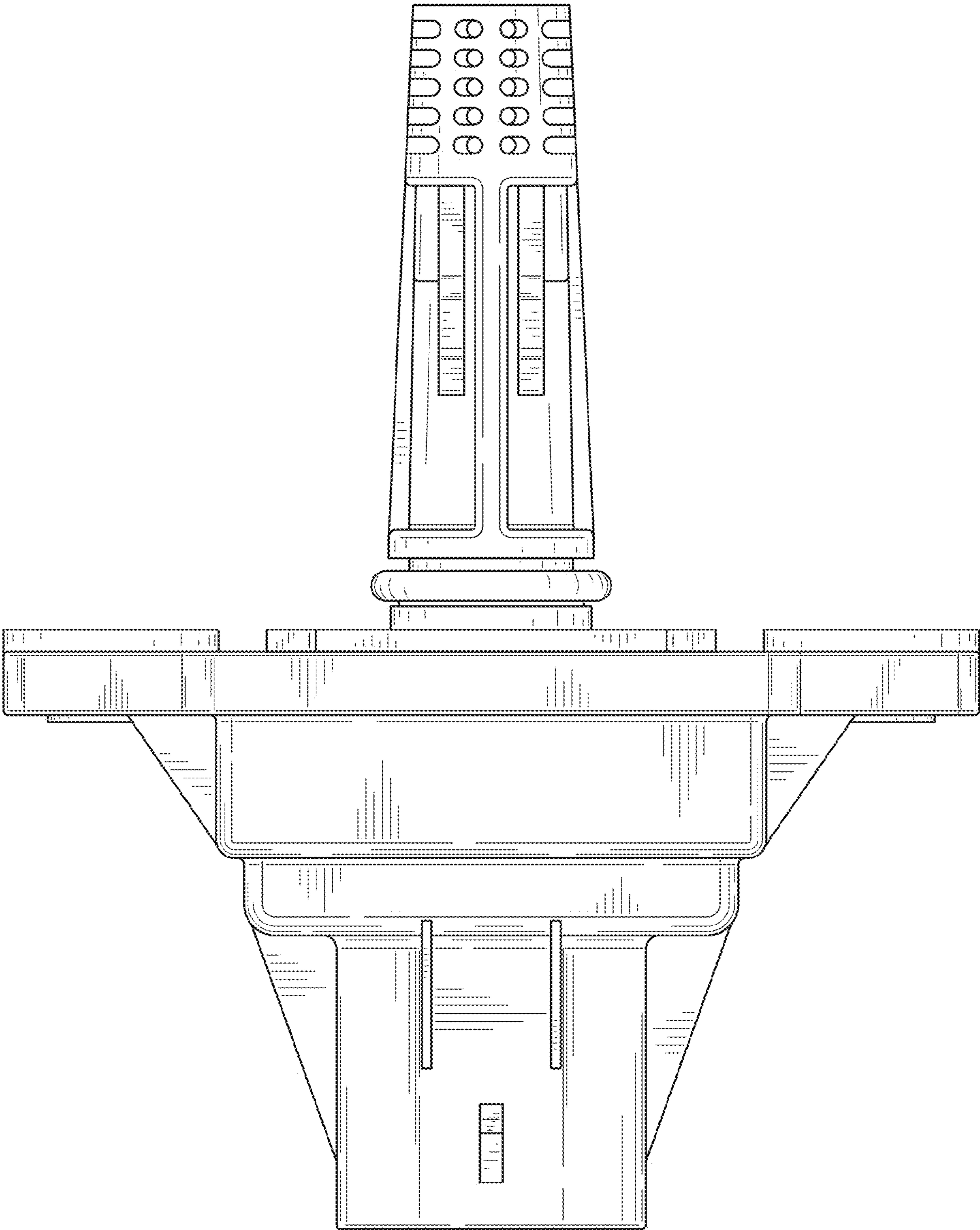


FIG. 6

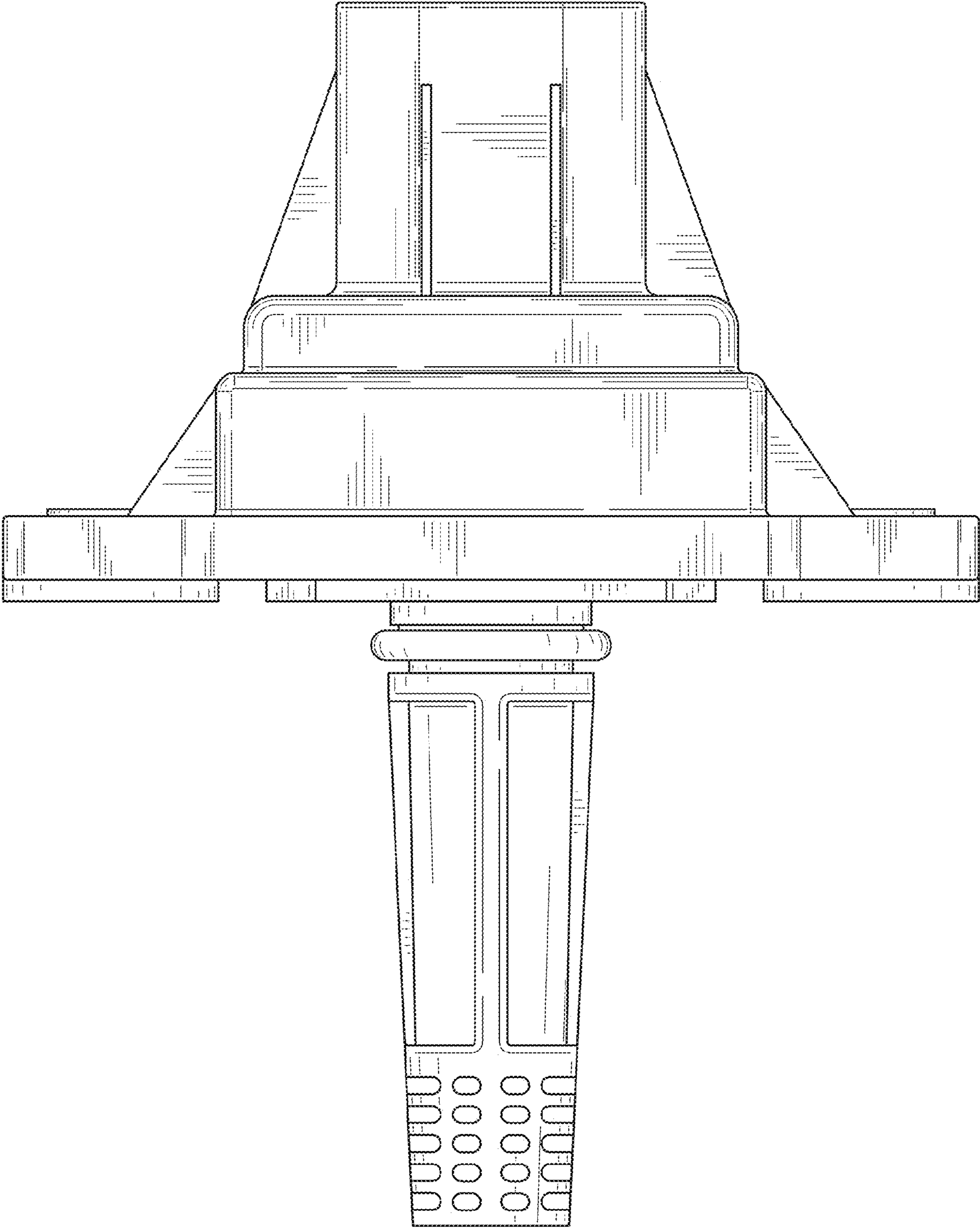


FIG. 7