



US00D987684S

(12) **United States Design Patent**
Wang

(10) **Patent No.:** **US D987,684 S**

(45) **Date of Patent:** **** May 30, 2023**

(54) **MICROPHONE SPEAKER**

D953,307 S * 5/2022 Qin D14/228
D956,723 S * 7/2022 Chen D14/228
2019/0069060 A1* 2/2019 Su H04R 1/08

(71) Applicant: **Lan Wang**, Hubei (CN)

(72) Inventor: **Lan Wang**, Hubei (CN)

(**) Term: **15 Years**

(21) Appl. No.: **29/756,482**

(22) Filed: **Oct. 29, 2020**

(51) **LOC (14) Cl.** **14-01**

(52) **U.S. Cl.**
USPC **D14/497**

(58) **Field of Classification Search**
USPC D14/225, 226, 227, 496, 228, 229, 497,
D14/155; D13/168; D21/513
CPC H04W 88/08; H04R 1/08; H04R 9/08;
H04B 1/3833
See application file for complete search history.

(56) **References Cited**

U.S. PATENT DOCUMENTS

D317,472 S * 6/1991 Sasaki D14/225
6,061,457 A * 5/2000 Stockhamer H04R 1/00
367/188
D462,343 S * 9/2002 Wang D14/228
D479,836 S * 9/2003 Thornton D14/228
D495,319 S * 8/2004 Lee D14/497
D836,615 S * 12/2018 Su D14/226
D868,042 S * 11/2019 Yang D14/226
D880,459 S * 4/2020 Su D14/226
D883,961 S * 5/2020 Dai D14/226

OTHER PUBLICATIONS

[Bonaok Karaoke Microphone for Kids], available in Amazon.com, date first available Mar. 15, 2021 [online], [site visited Sep. 28, 2022], Available from the internet URL: <https://www.amazon.com/BONAOK-Wireless-Bluetooth-Karaoke-Microphone/dp/B08YYKGY6?th=1> (Year: 2021).*

* cited by examiner

Primary Examiner — Khawaja Anwar
Assistant Examiner — Megan Tiana Rakos

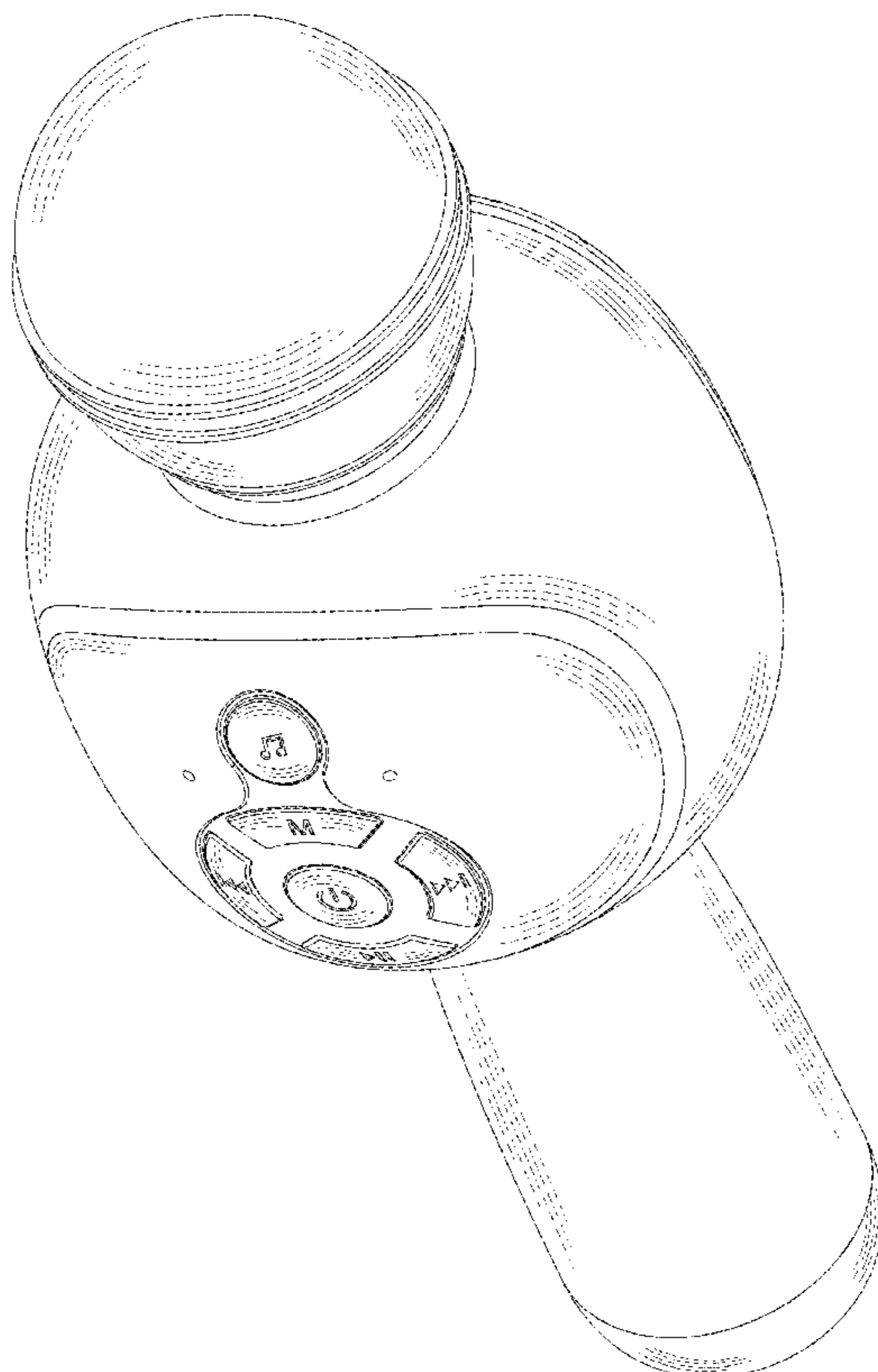
(57) **CLAIM**

The ornamental design for a microphone speaker, as shown and described.

DESCRIPTION

FIG. 1 is a perspective view of a microphone speaker showing my new design;
FIG. 2 is a front elevation view thereof;
FIG. 3 is a rear elevation view thereof;
FIG. 4 is a left side elevation view thereof;
FIG. 5 is a right side elevation view thereof;
FIG. 6 is a top plan view thereof; and,
FIG. 7 is a bottom plan view thereof.
The broken lines depict portions of the microphone speaker that form no part of the claimed design.

1 Claim, 7 Drawing Sheets



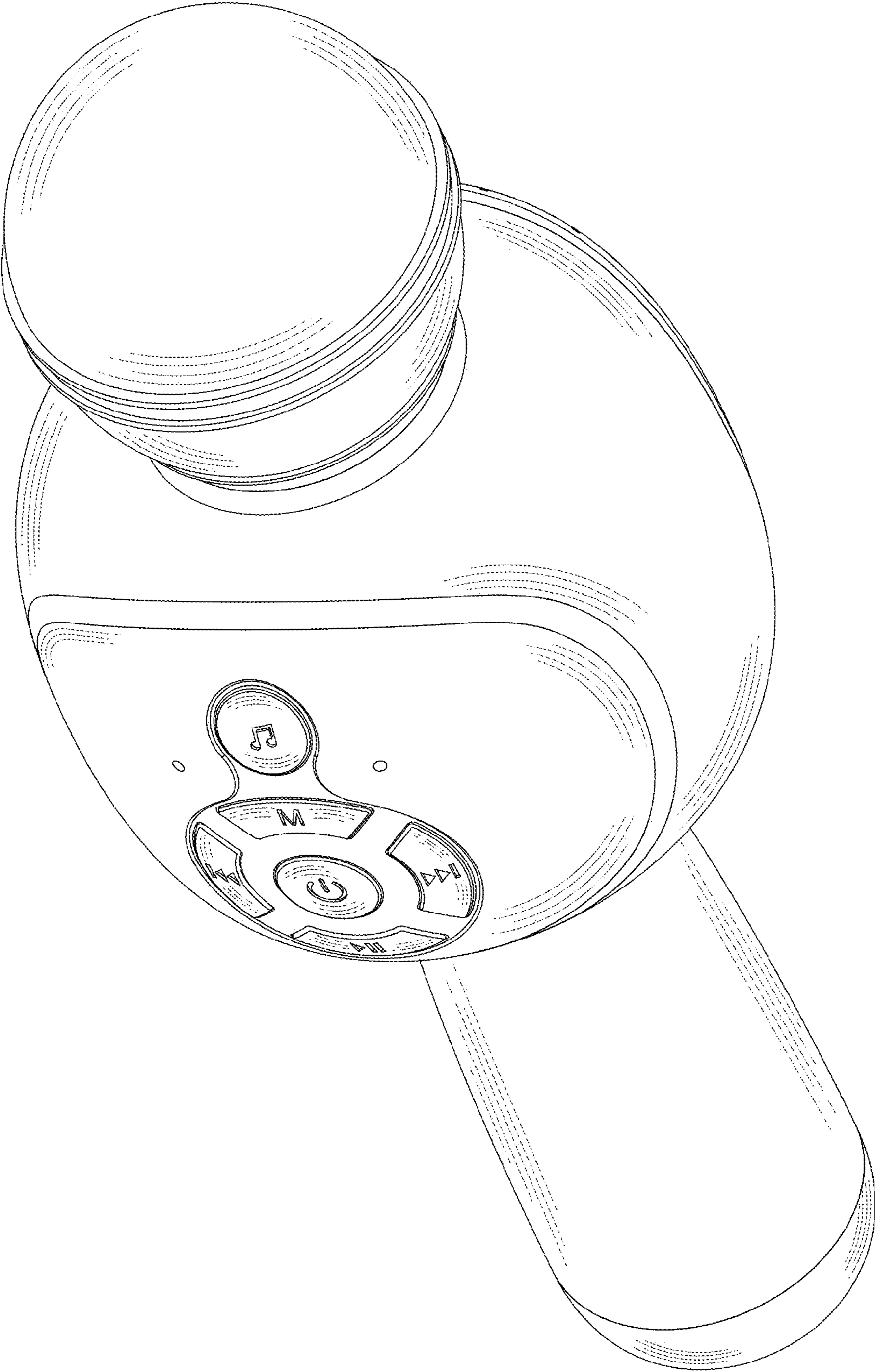


FIG. 1

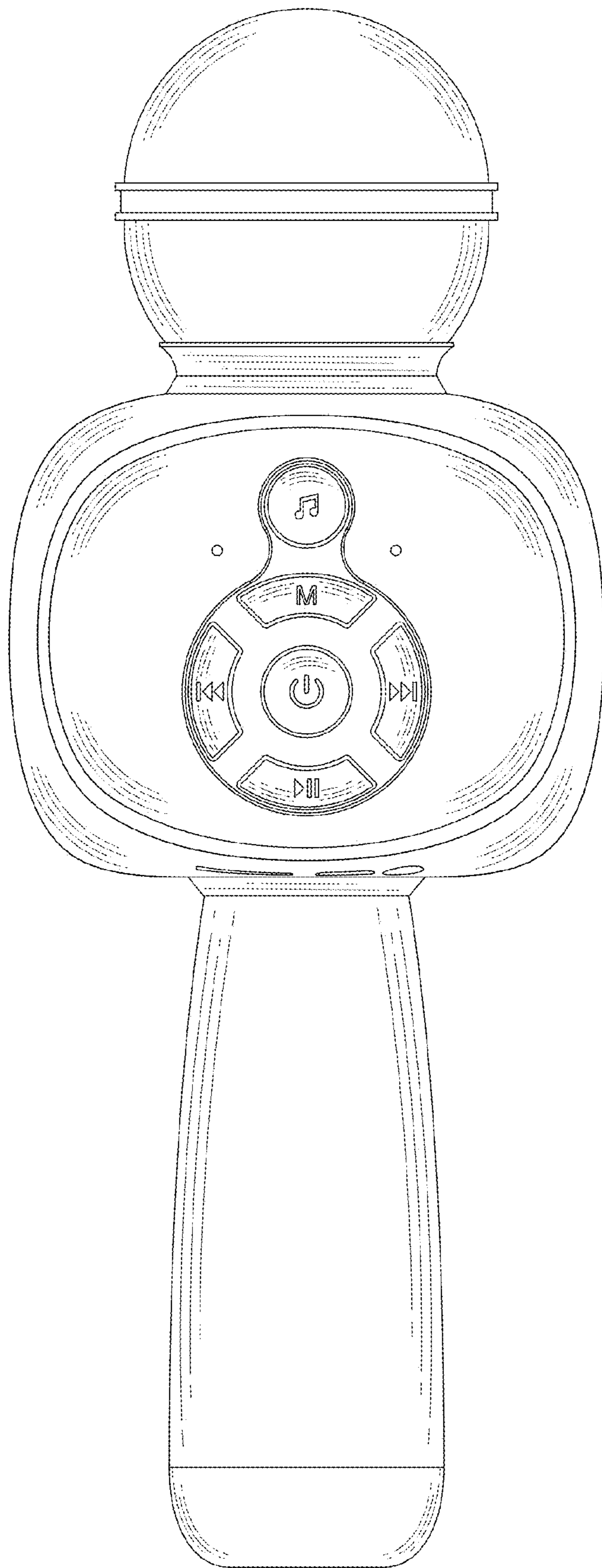


FIG. 2

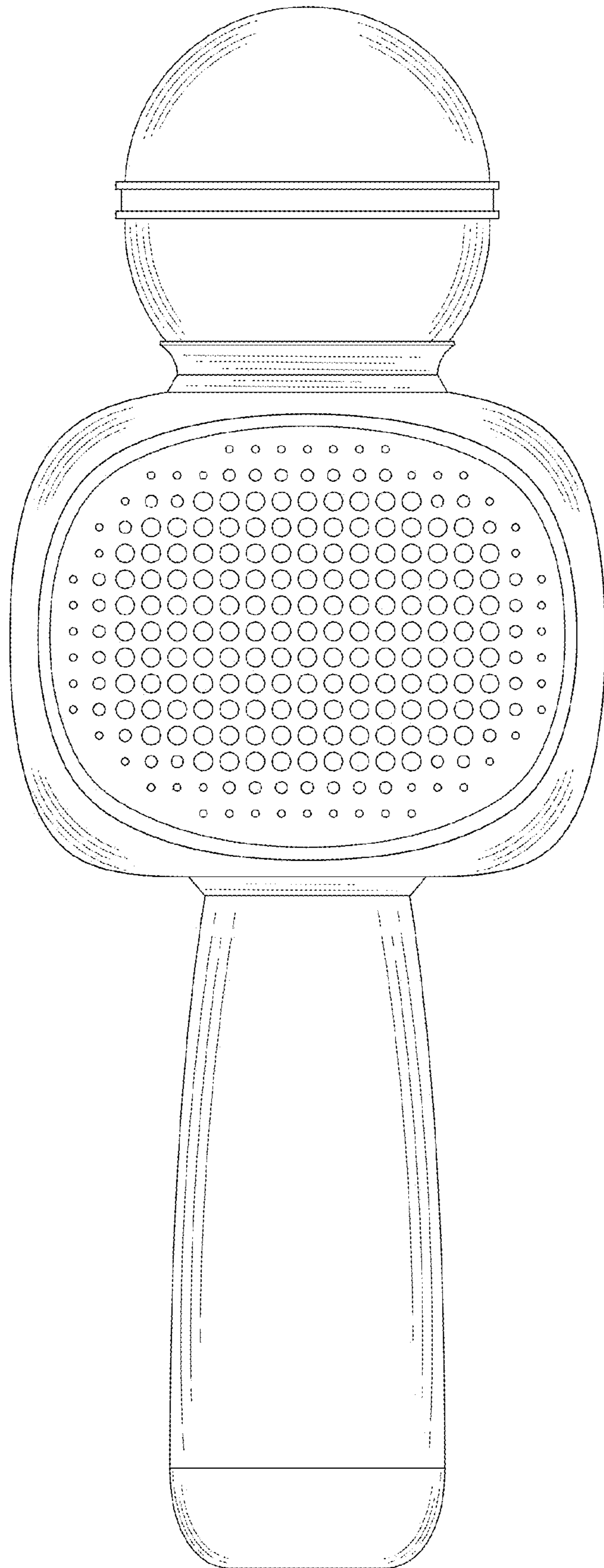


FIG. 3

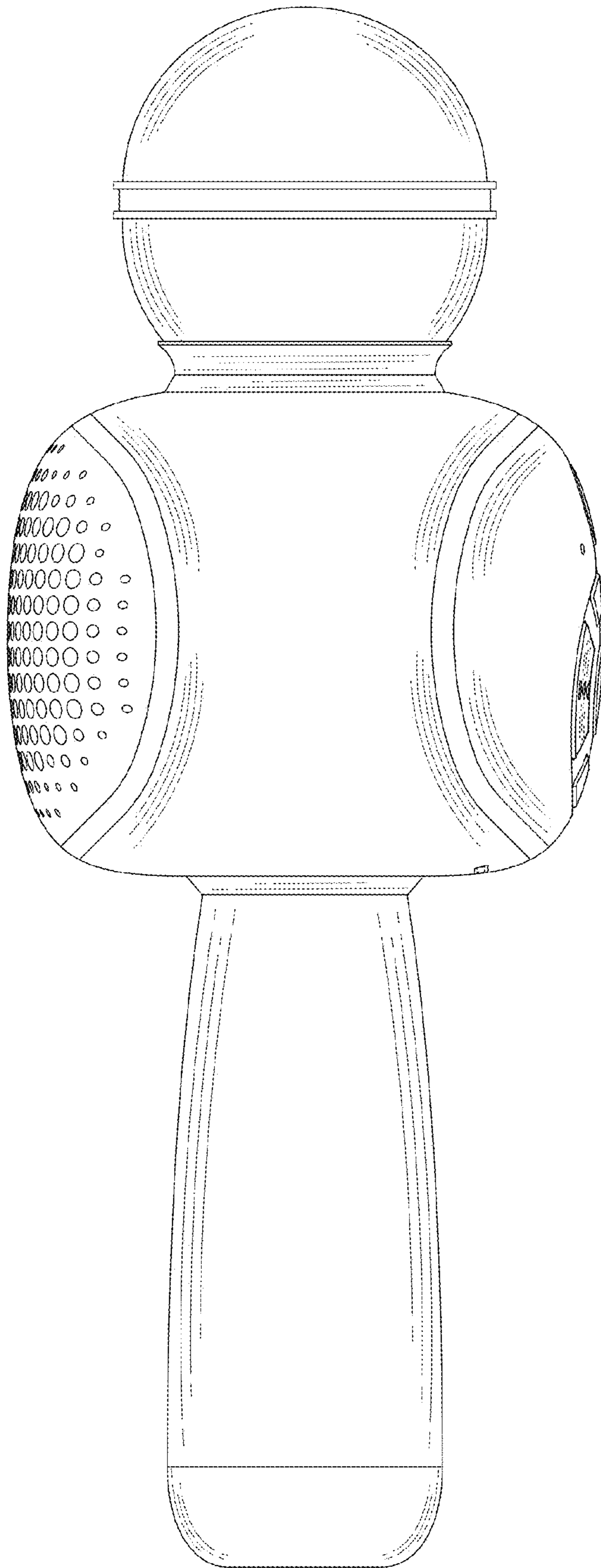


FIG. 4

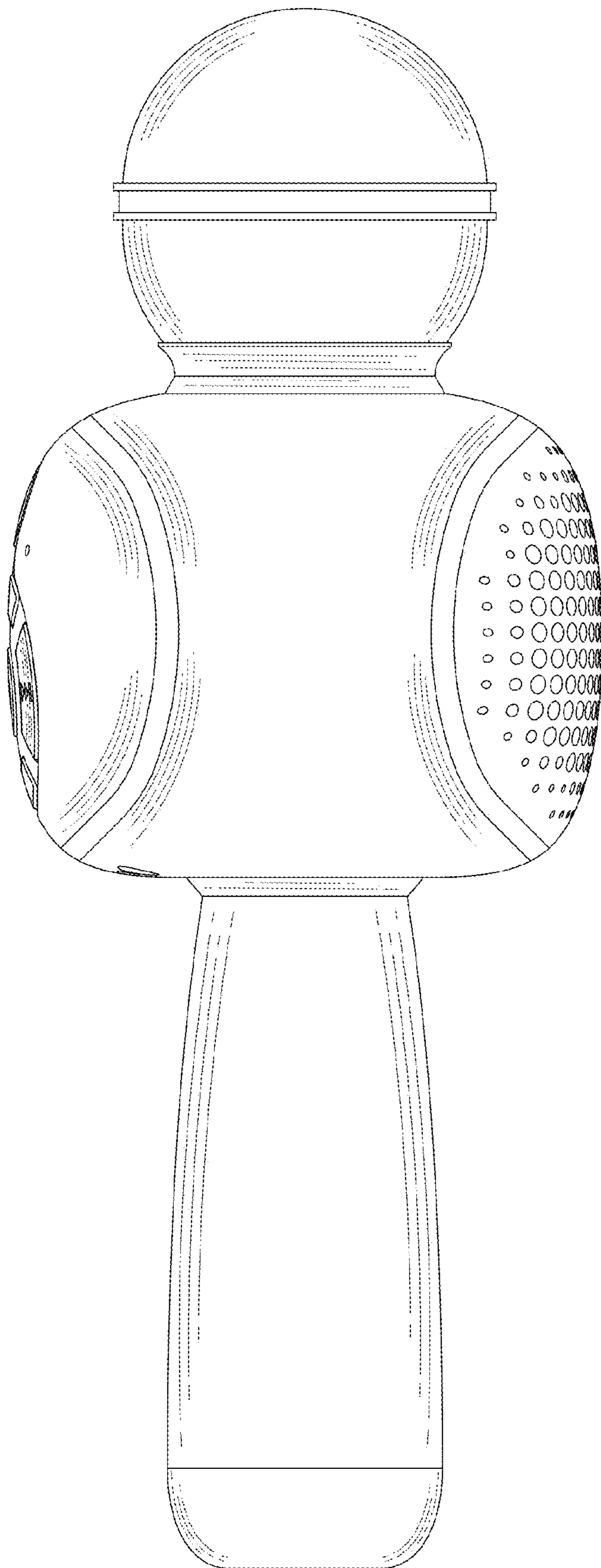


FIG. 5

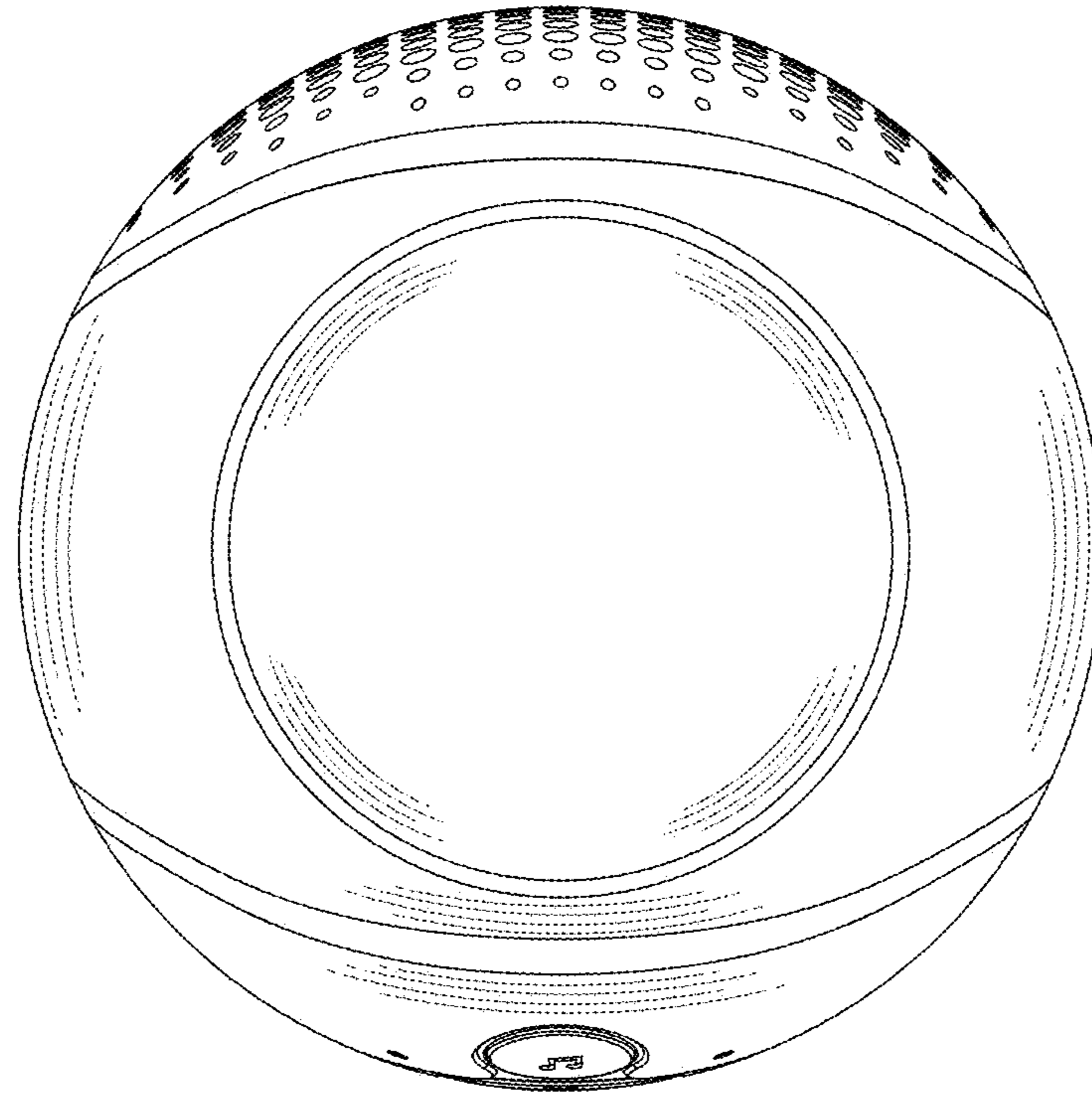


FIG. 6

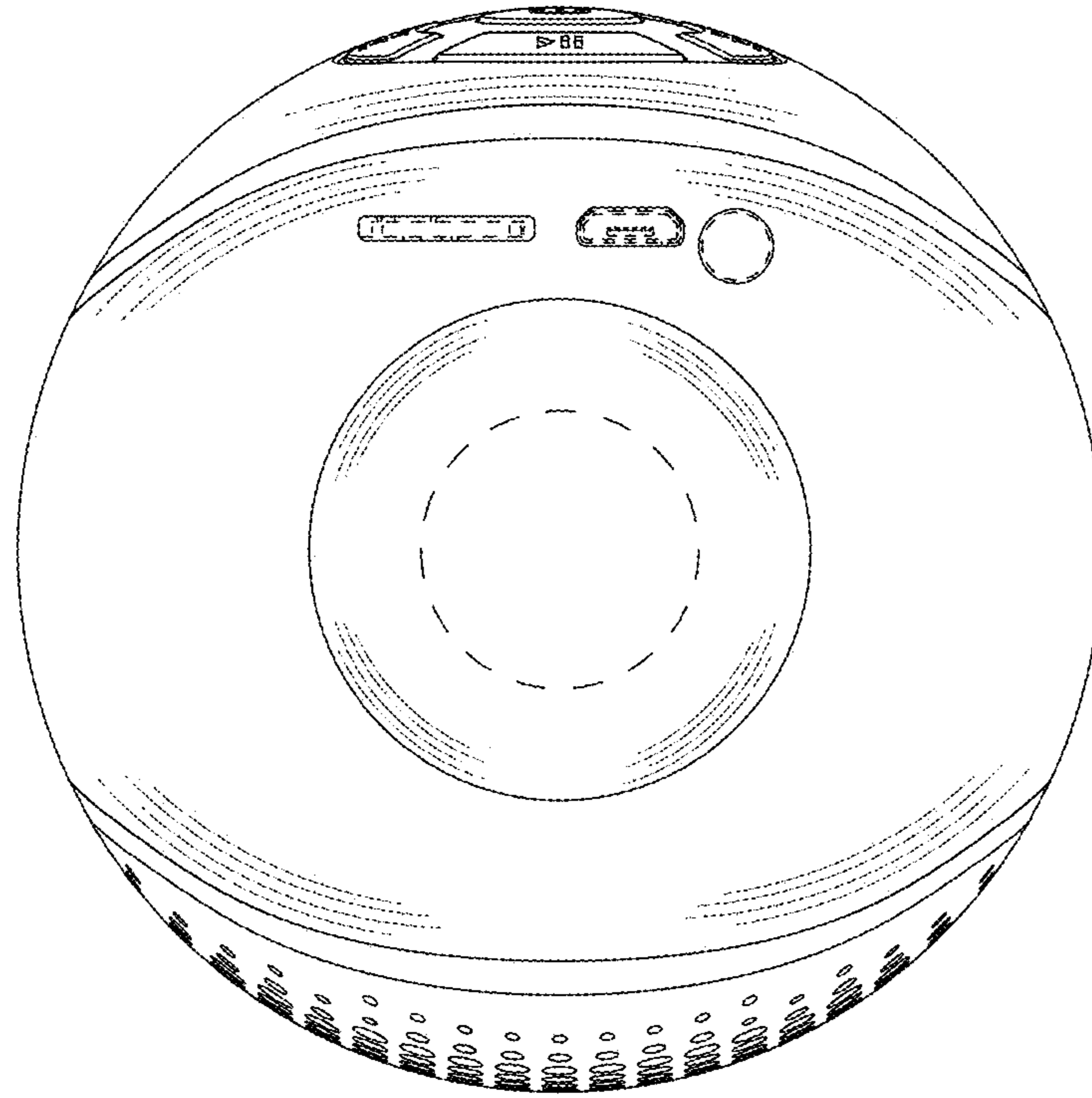


FIG. 7