



US00D987683S

(12) **United States Design Patent**  
**Moore et al.**

(10) **Patent No.:** **US D987,683 S**  
(45) **Date of Patent:** **\*\* May 30, 2023**

- (54) **ELECTRONIC DEVICE**
- (71) Applicant: **Amazon Technologies, Inc.**, Seattle, WA (US)
- (72) Inventors: **Jesse W. Moore**, Oakland, CA (US); **Giles David Matthew McWilliam**, San Francisco, CA (US)
- (73) Assignee: **Amazon Technologies, Inc.**, Seattle, WA (US)
- (\*\*) Term: **15 Years**
- (21) Appl. No.: **29/824,715**
- (22) Filed: **Jan. 26, 2022**
- (51) **LOC (14) Cl.** ..... **14-03**
- (52) **U.S. Cl.**  
USPC ..... **D14/496**
- (58) **Field of Classification Search**  
USPC ..... D14/138 AA, 138 AB, 138 AC, 138 AD, D14/138 C, 138 G, 248, 315–318, D14/341–347, 371, 374, 432, 439; D6/308, 310; D10/50, 65, 104.1; D18/6–7; D19/26, 59–60; D21/324, D21/329–330, 332  
CPC ... H04M 1/0202; H04M 1/0266; H04M 1/725  
See application file for complete search history.

- D924,878 S \* 7/2021 Han ..... D14/440
  - D931,902 S \* 9/2021 Moore ..... D14/203.7
  - D937,831 S \* 12/2021 Patterson ..... D14/371
  - D938,431 S \* 12/2021 Han ..... D14/440
  - D954,749 S \* 6/2022 Moore ..... D14/203.7
- (Continued)

**FOREIGN PATENT DOCUMENTS**

GB 6001875 \* 10/2017

**OTHER PUBLICATIONS**

Amazon Echo Show Hidden Features & Tips Guide, Sep. 1, 2022, [retrieved Dec. 15, 2022], Retrieved from Internet, URL: <<https://www.popularmechanics.com/technology/gear/a40930159/amazon-echo-show-features/>> (Year: 2022).\*

(Continued)

*Primary Examiner* — Messina L Smith  
*Assistant Examiner* — Aram Kwon  
(74) *Attorney, Agent, or Firm* — Lee & Hayes, P.C.

(57) **CLAIM**

The ornamental design for an electronic device, as shown and described.

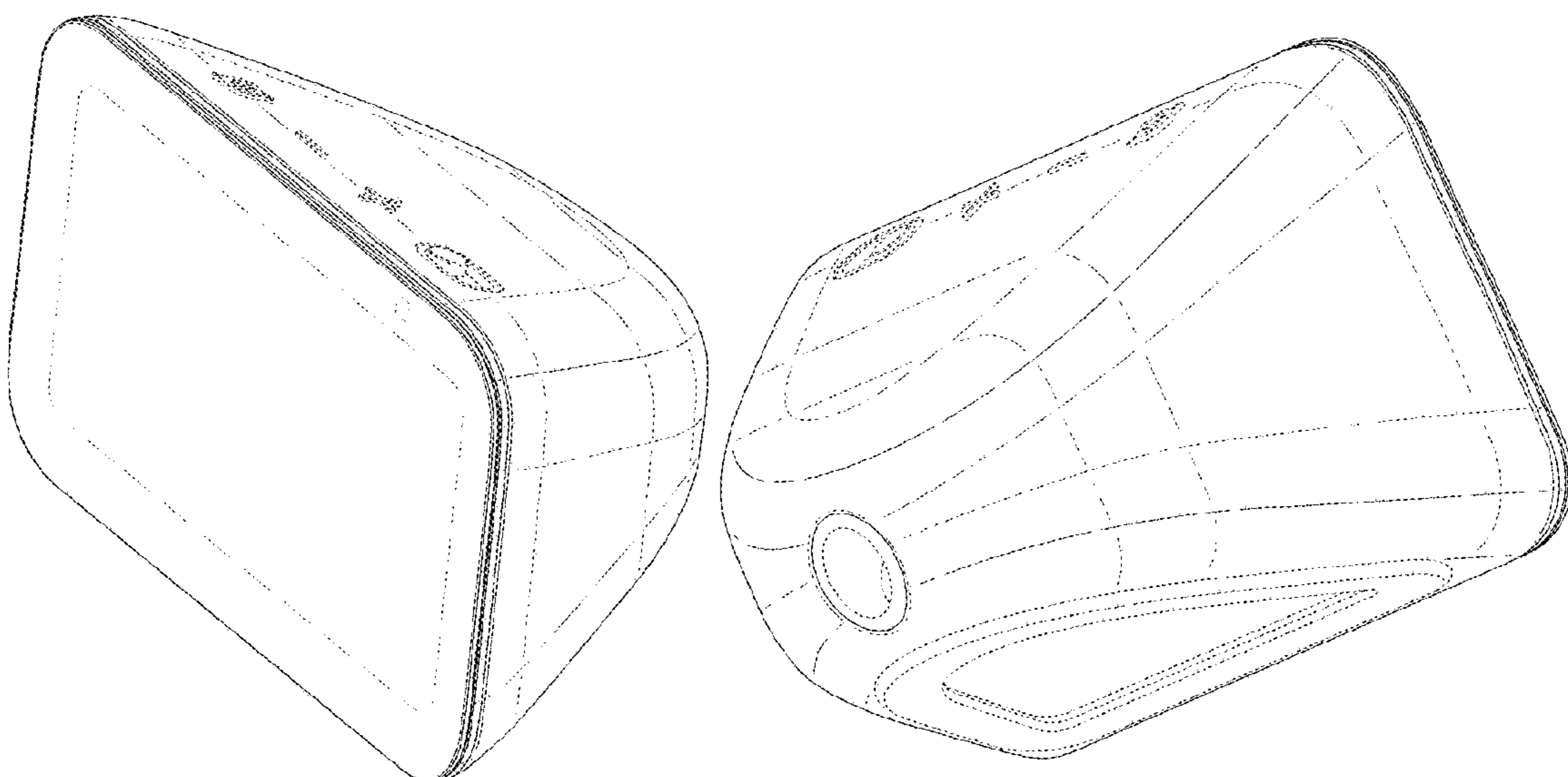
**DESCRIPTION**

FIG. 1 is a top, front, right-side perspective view of an electronic device showing the new design.  
FIG. 2 is a bottom, back, left-side perspective view thereof;  
FIG. 3 is a front view thereof;  
FIG. 4 is a back view thereof;  
FIG. 5 is a left-side view thereof;  
FIG. 6 is a right-side view thereof;  
FIG. 7 is a top view thereof; and,  
FIG. 8 is a bottom view thereof.  
The dashed broken lines depict portions of the electronic device that form no part of the claimed design.

**1 Claim, 8 Drawing Sheets**

(56) **References Cited**  
U.S. PATENT DOCUMENTS

- D425,510 S \* 5/2000 Dietz ..... D14/371
- D694,653 S \* 12/2013 Hsu ..... D10/15
- D697,910 S \* 1/2014 Bianco ..... D14/371
- D806,066 S \* 12/2017 McWilliam ..... D14/314
- D841,644 S \* 2/2019 McWilliam ..... D14/314
- D868,869 S \* 12/2019 Hodge ..... G06F 16/787  
D16/208
- D882,567 S \* 4/2020 Parfitt ..... D14/371
- D905,110 S \* 12/2020 Zhang ..... D14/188
- D907,637 S \* 1/2021 Han ..... D14/440



(56)

**References Cited**

U.S. PATENT DOCUMENTS

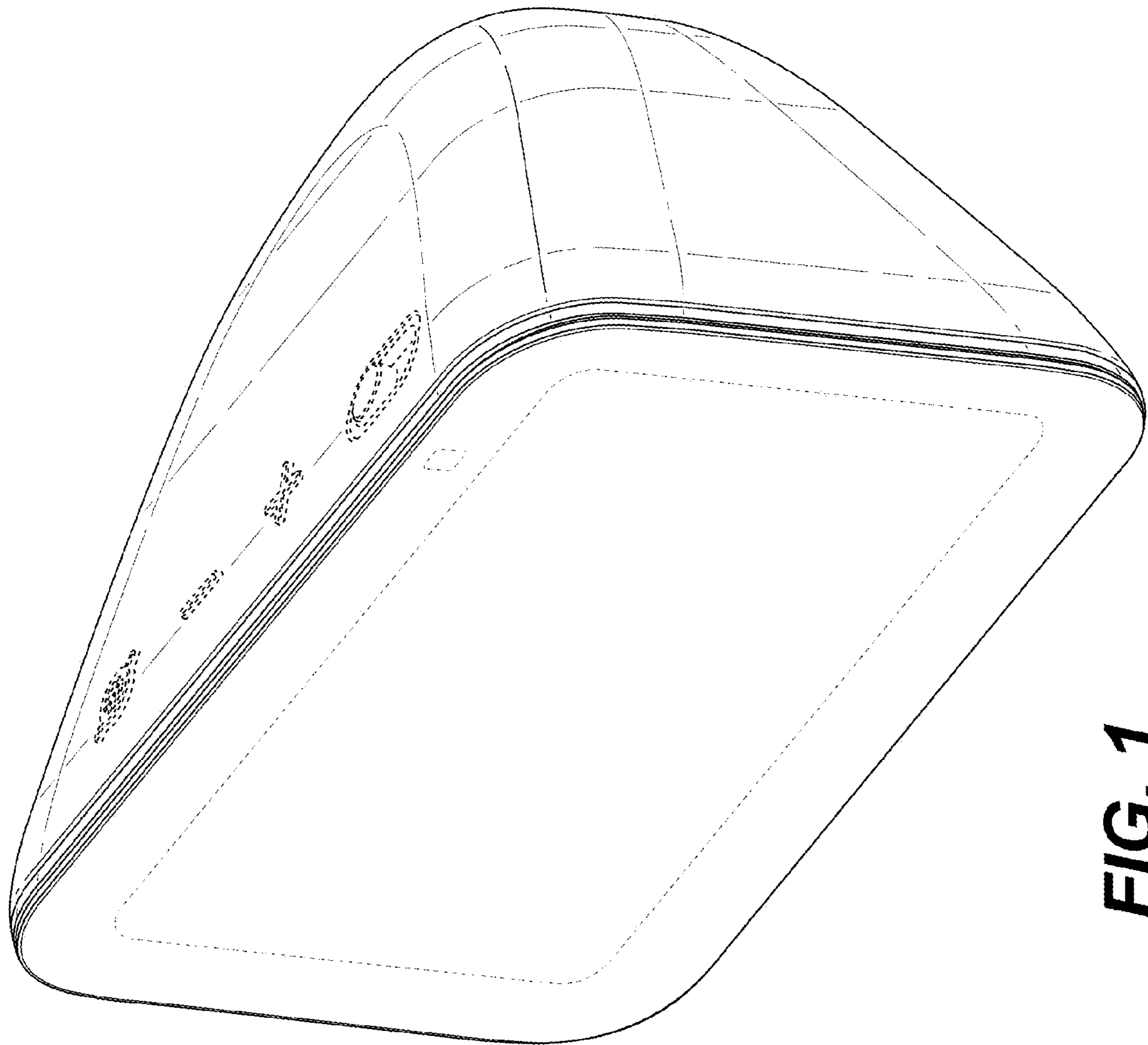
D967,091 S \* 10/2022 Lai ..... D14/371  
D967,819 S \* 10/2022 Patterson ..... D14/371  
D969,802 S \* 11/2022 Zhu ..... D14/336

OTHER PUBLICATIONS

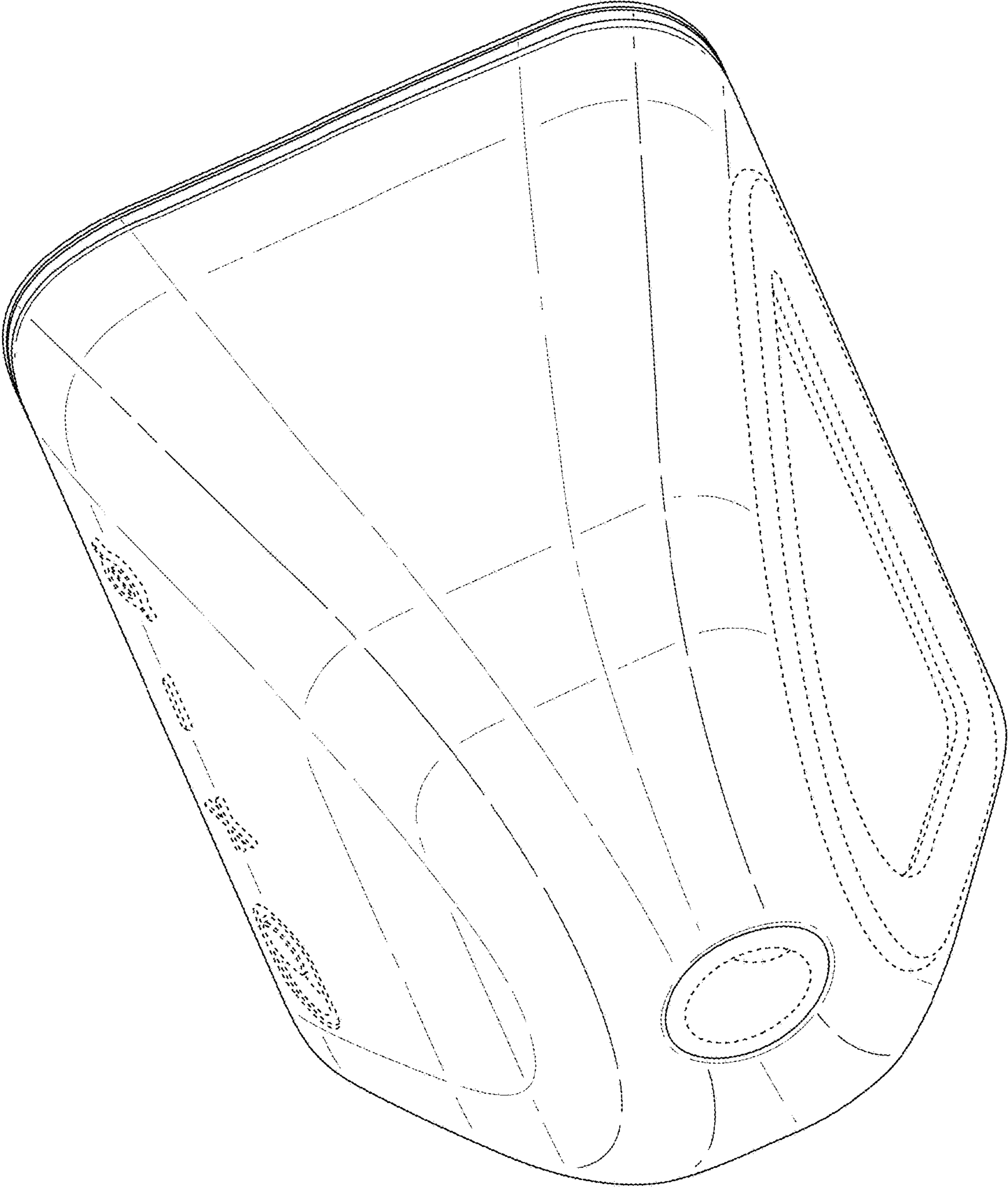
Battle of the smart screens, Nov. 30, 2019, [retrieved Dec. 15, 2022], Retrieved from Internet, URL: <<https://www.engadget.com/2019-11-30-amazon-echo-show-8-lenovo-smart-display-7-review.html>> (Year: 2019).\*

The Best Smart Displays, Feb. 18, 2022, [retrieved Dec. 15, 2022], Retrieved from Internet, URL: <<https://www.wired.com/gallery/best-smart-displays/>> (Year: 2022).\*

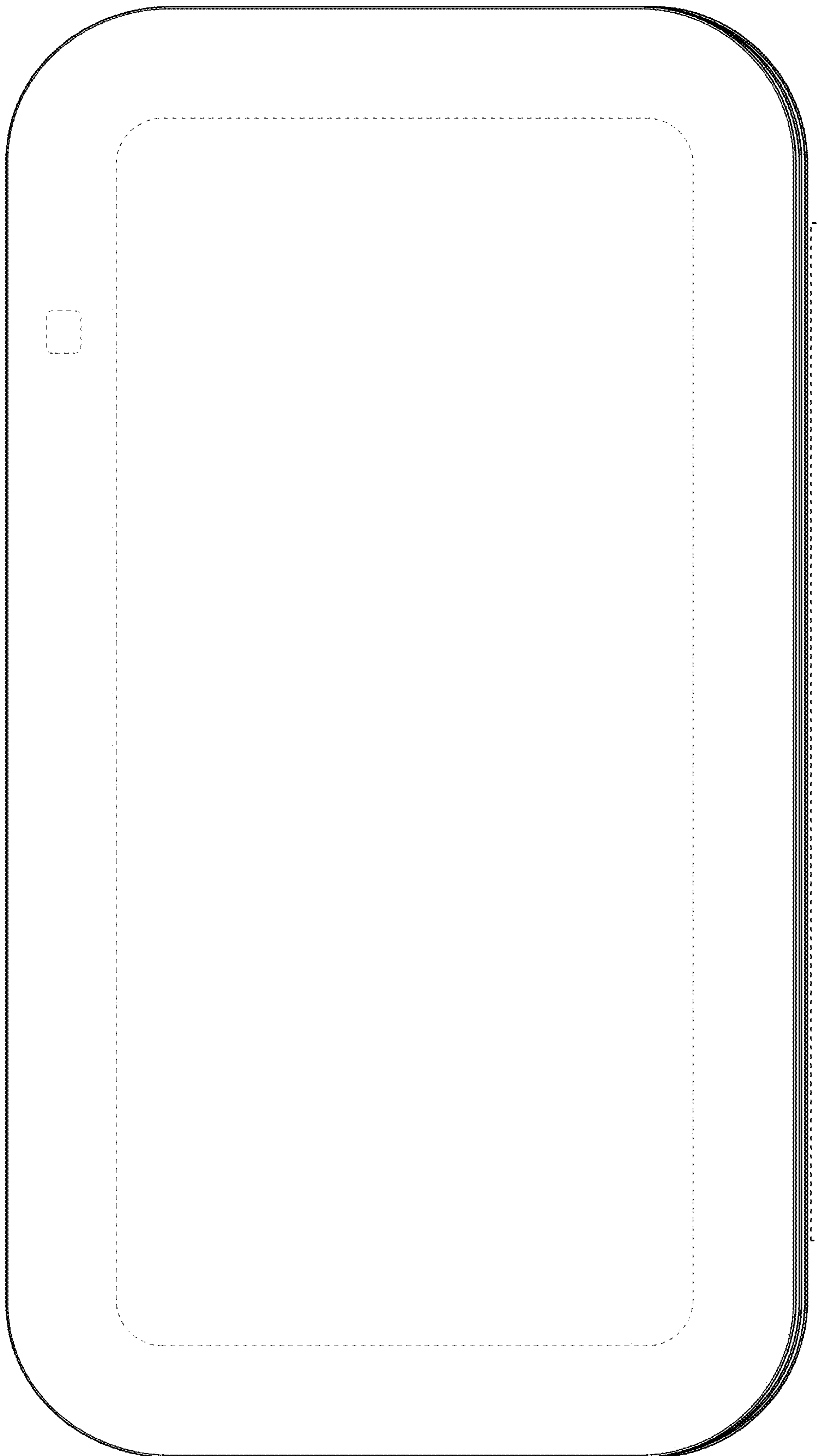
\* cited by examiner



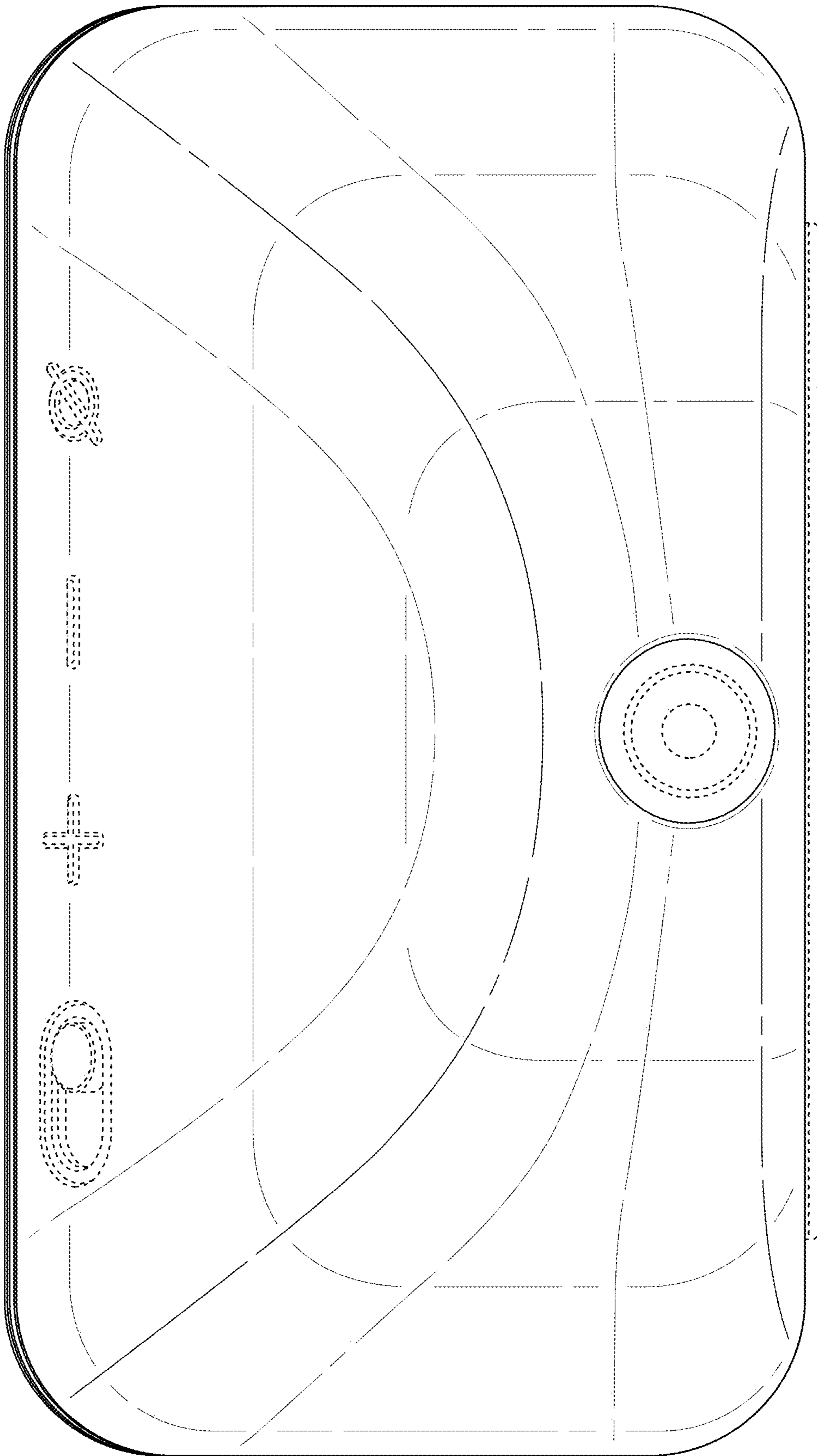
**FIG. 1**



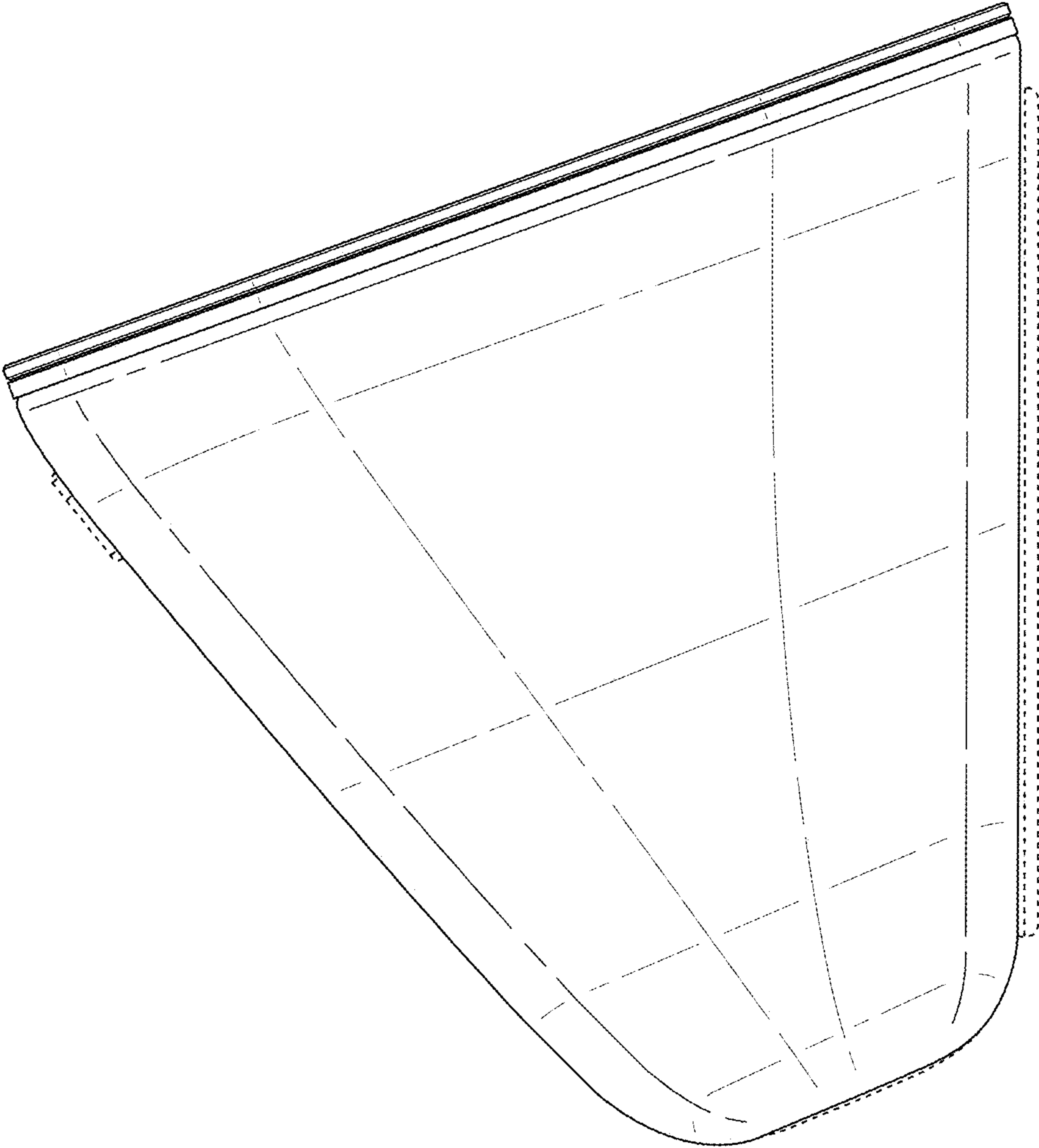
**FIG. 2**



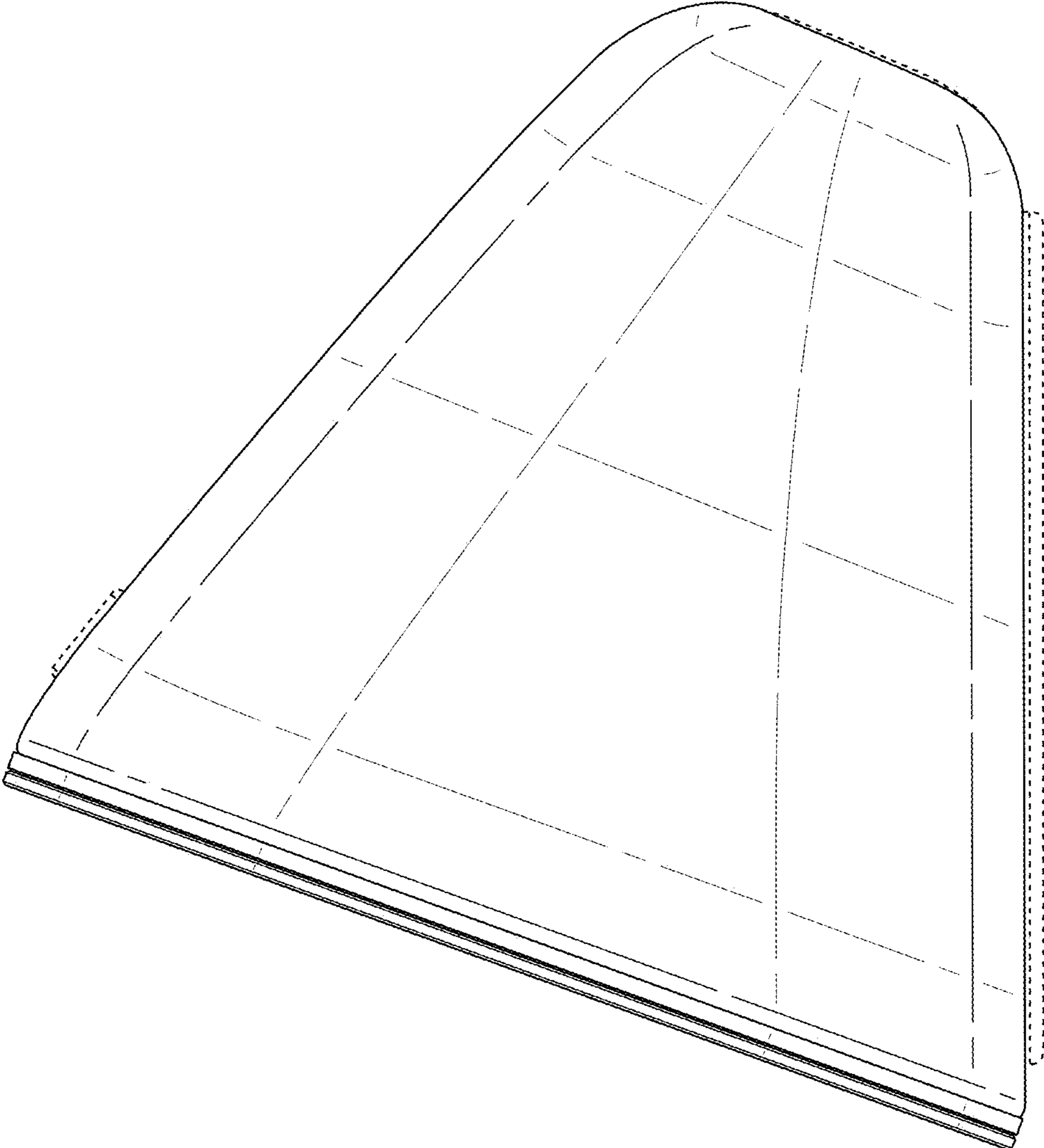
**FIG. 3**



**FIG. 4**

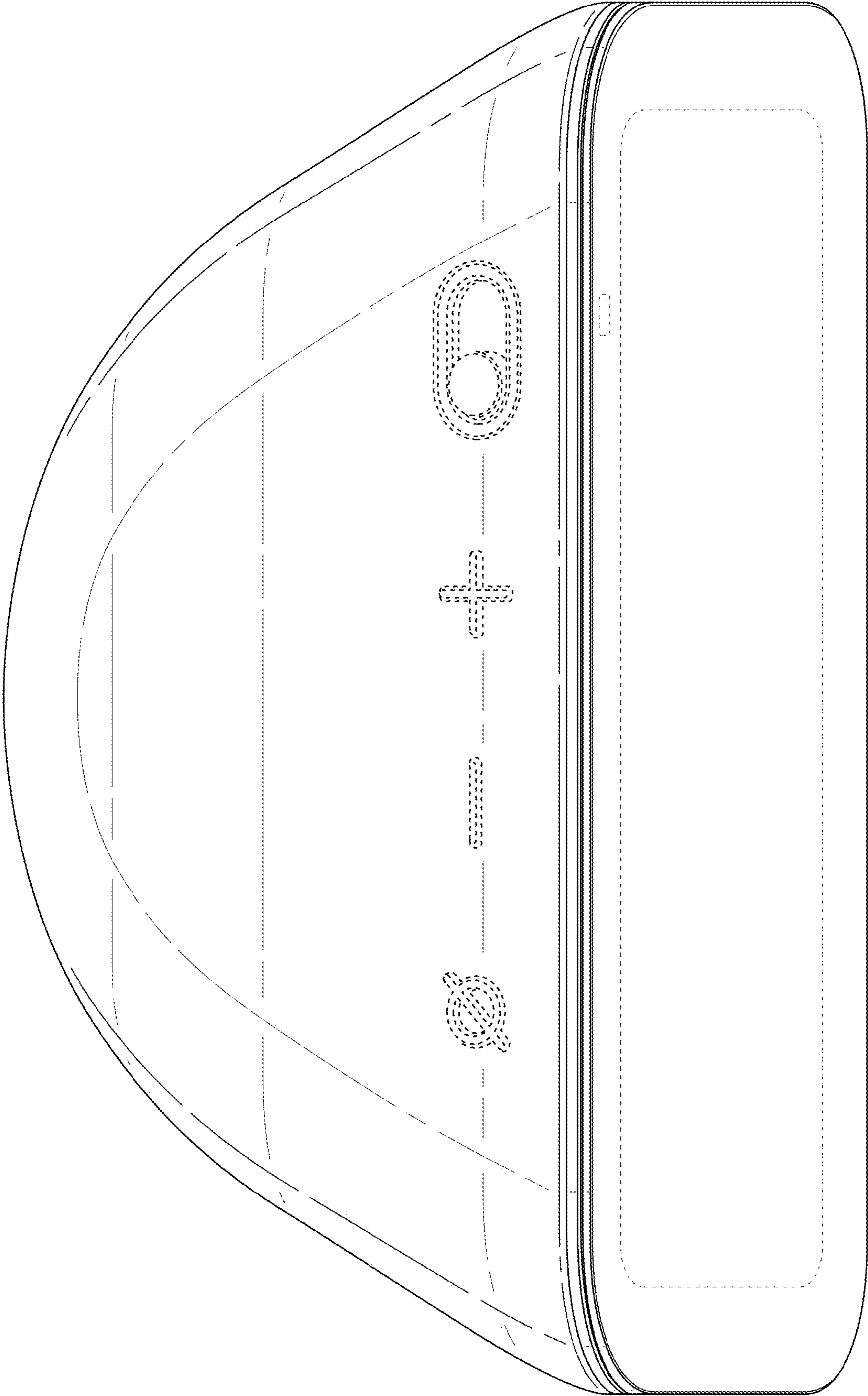


**FIG. 5**

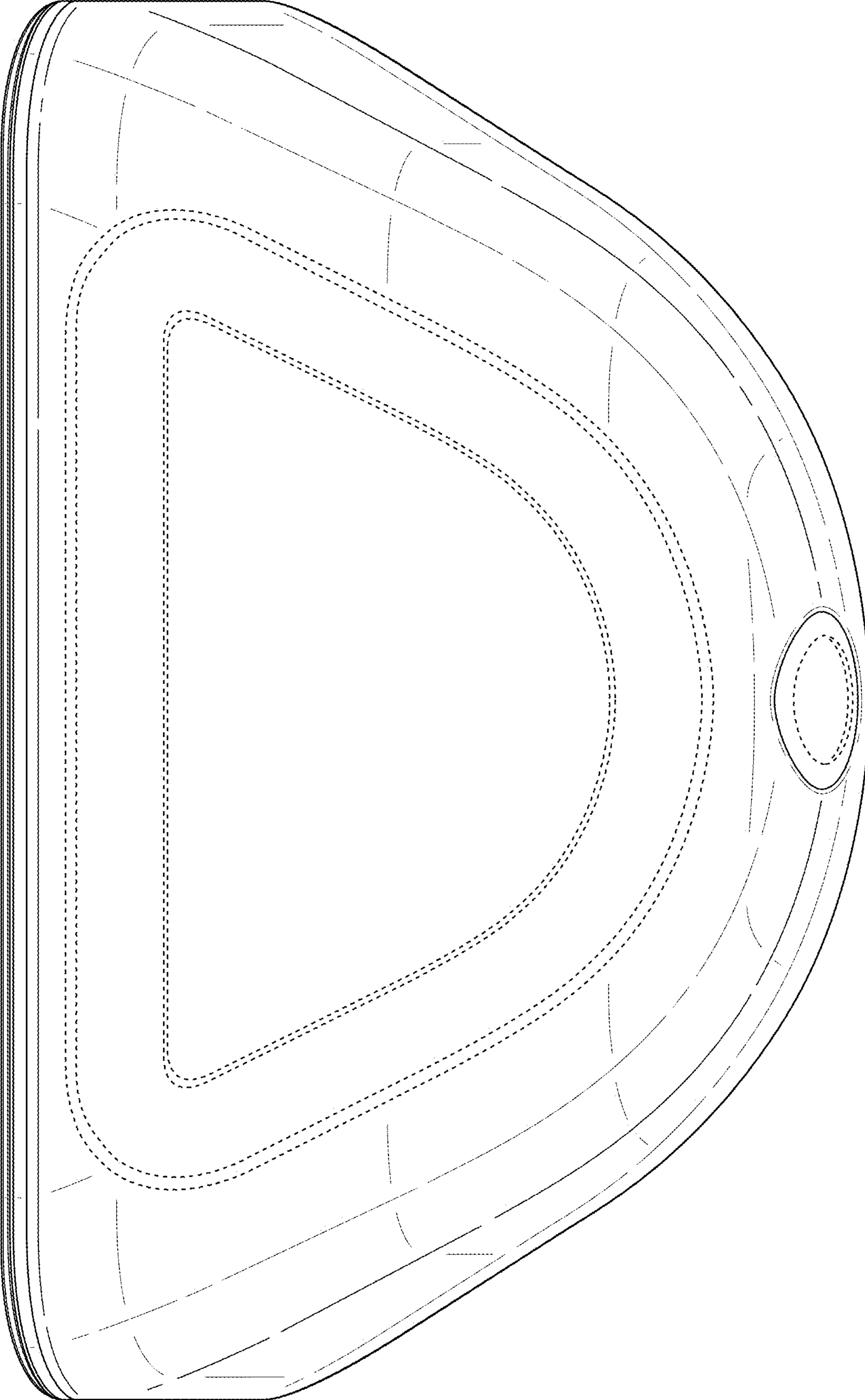


**FIG. 6**





**FIG. 7**



**FIG. 8**