



US00D987682S

(12) **United States Design Patent**
Bae et al.

(10) **Patent No.:** **US D987,682 S**
(45) **Date of Patent:** **** May 30, 2023**

(54) **AUDIO PLAYER**

(71) Applicant: **LG ELECTRONICS INC.**, Seoul (KR)

(72) Inventors: **Jinwan Bae**, Seoul (KR); **Seungil Lee**, Seoul (KR); **Hophil Lee**, Seoul (KR); **Sanghyun Choi**, Seoul (KR)

(73) Assignee: **LG ELECTRONICS INC.**, Seoul (KR)

(**) Term: **15 Years**

(21) Appl. No.: **29/794,830**

(22) Filed: **Jun. 15, 2021**

(30) **Foreign Application Priority Data**

Jan. 4, 2021 (KR) 30-2021-0000175

(51) **LOC (14) Cl.** **14-03**

(52) **U.S. Cl.**
USPC **D14/496; D14/204**

(58) **Field of Classification Search**
USPC D14/155–159, 160–173, 187–188,
D14/189–198, 203.1–203.8, 204–216,
D14/217–222, 225–229, 492, 496,
D14/498–506; D21/576, 578, 593, 787;
D7/507–511
CPC H04R 1/02; H04R 1/021; H04R 1/025;
H04R 1/026; H04R 1/028; H04R 1/06;
H04R 1/105; H04R 1/323; H04R 1/403;
H04R 1/2803; H04R 1/2834

See application file for complete search history.

(56) **References Cited**

U.S. PATENT DOCUMENTS

D486,141 S * 2/2004 Wiener D14/207
D626,945 S * 11/2010 Chen D14/222
D696,646 S * 12/2013 Deguchi D14/216
D723,010 S * 2/2015 Moon D14/222

D815,150 S * 4/2018 Hu D14/496
D847,373 S * 4/2019 Hurwit D24/231
D894,963 S * 9/2020 Li D24/231

(Continued)

FOREIGN PATENT DOCUMENTS

WO WOD215278-001 * 6/2022
WO WOD215282-001 * 6/2022

OTHER PUBLICATIONS

Portable Bluetooth Speaker, date first available: May 6, 2022, [retrieved Nov. 1, 2022], Retrieved from Internet, URL: <https://www.amazon.com/dp/B09ZP8N15K/ref=sspa_dk_detail_3?psc=1&pf_rd_p=46bad5f6-1f0a-4167-9a8b-c8a82fa48a54&pf_rd_r=NEX4FPXW34%E2%80%A6%201/7> (Year: 2022).*

(Continued)

Primary Examiner — Messina L Smith

Assistant Examiner — Aram Kwon

(74) *Attorney, Agent, or Firm* — Birch, Stewart, Kolasch & Birch, LLP

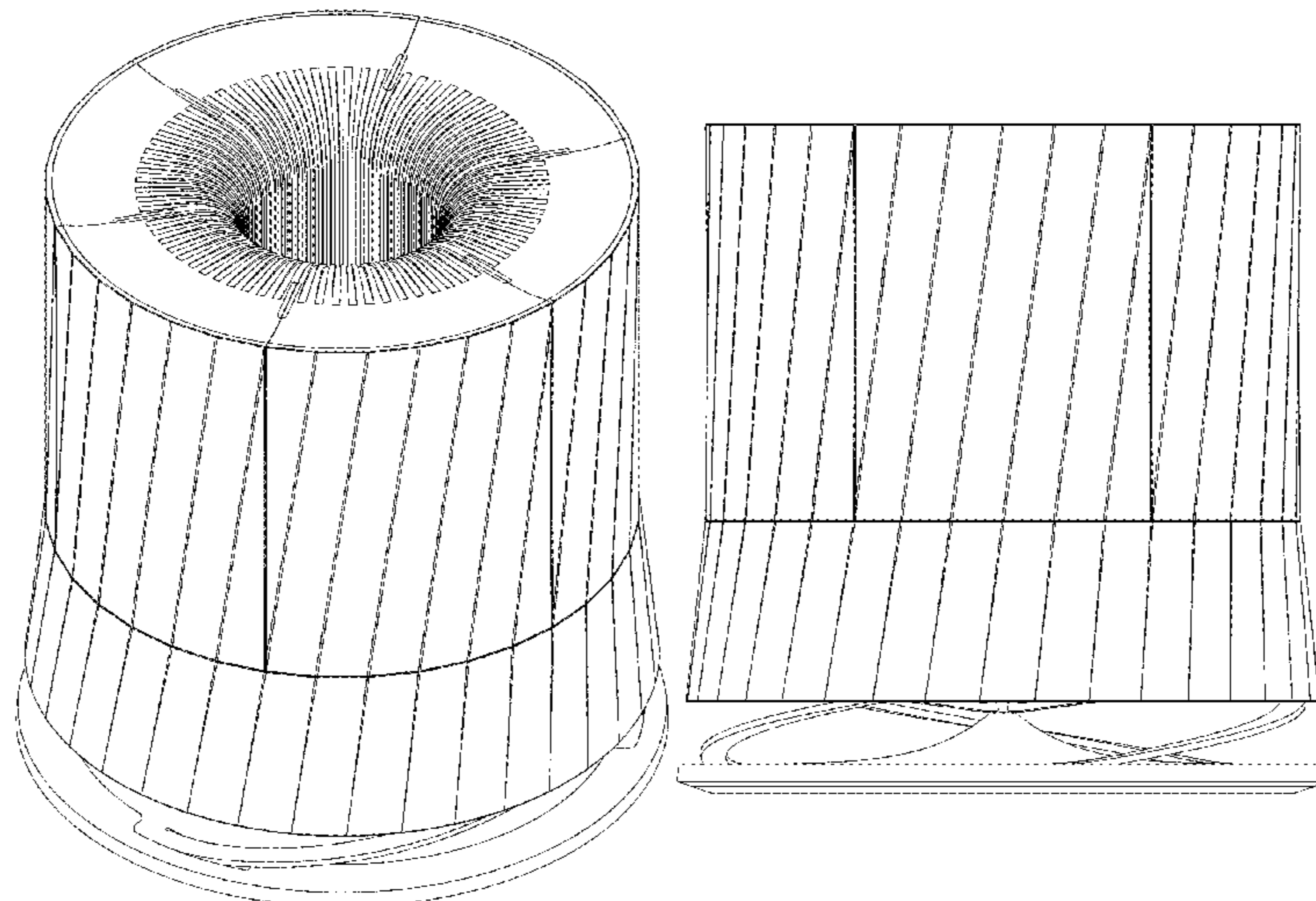
(57) **CLAIM**

The ornamental design for an audio player, as shown and described.

DESCRIPTION

FIG. 1 is a front, right side, perspective view of an audio player showing our new design;
FIG. 2 is a front view thereof;
FIG. 3 is a rear view thereof;
FIG. 4 is a left side view thereof;
FIG. 5 is a right side view thereof;
FIG. 6 is a top view thereof;
FIG. 7 is a bottom view thereof; and,
FIG. 8 is a perspective view of the audio player shown with a modular component removed to show aspects of the design that are not visible when combined.
The broken lines indicate portions of the audio player that form no part of the claimed design.

1 Claim, 8 Drawing Sheets



(56)

References Cited

U.S. PATENT DOCUMENTS

D952,605 S * 5/2022 Lin D14/216
D964,967 S * 9/2022 Kitamura D14/221
2003/0024693 A1* 2/2003 Petty H01L 23/3735
257/722
2019/0172439 A1* 6/2019 Dennis G10K 15/04

OTHER PUBLICATIONS

Sony SRS-XB13 Extra Bass, date first available: May 24, 2021, [retrieved Nov. 1, 2022], Retrieved from Internet, URL: <<https://www.amazon.com/dp/B08ZJ6DQNY?ots=1&slotNum=15&imprToken=1ec21a1b-fca9-b490-bd4&tag=rwvtrn-20&linkCode=ogi&th=1&l%E2%80%A6%2B1%2F10=undefined>> (Year: 2021).*

LG has a levitating speaker . . . , Dec. 27, 2016, [retrieved Nov. 1, 2022], Retrieved from Internet, URL: <<https://mashable.com/article/lg-levitating-speaker>> (Year: 2016).*

XBoom 360 Omnidirectional Sound Portable Wireless Bluetooth Speaker, review date: Nov. 2021, [retrieved Nov. 1, 2022], Retrieved from Internet, URL: <<https://www.lg.com/us/home-audio/lg-rp4-portable-bluetooth-speaker#>> (Year: 2021).*

* cited by examiner

FIG. 1

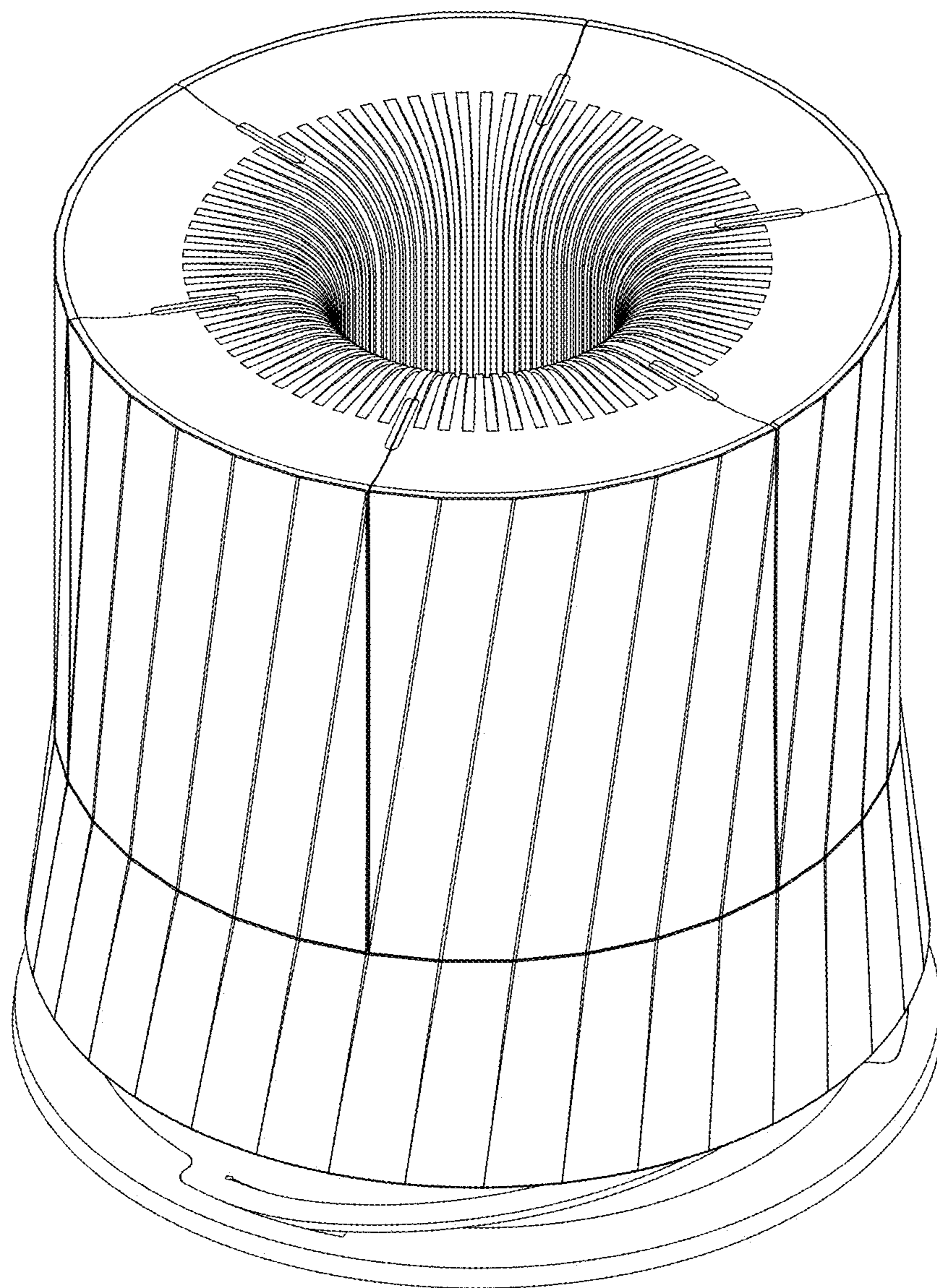


FIG. 2

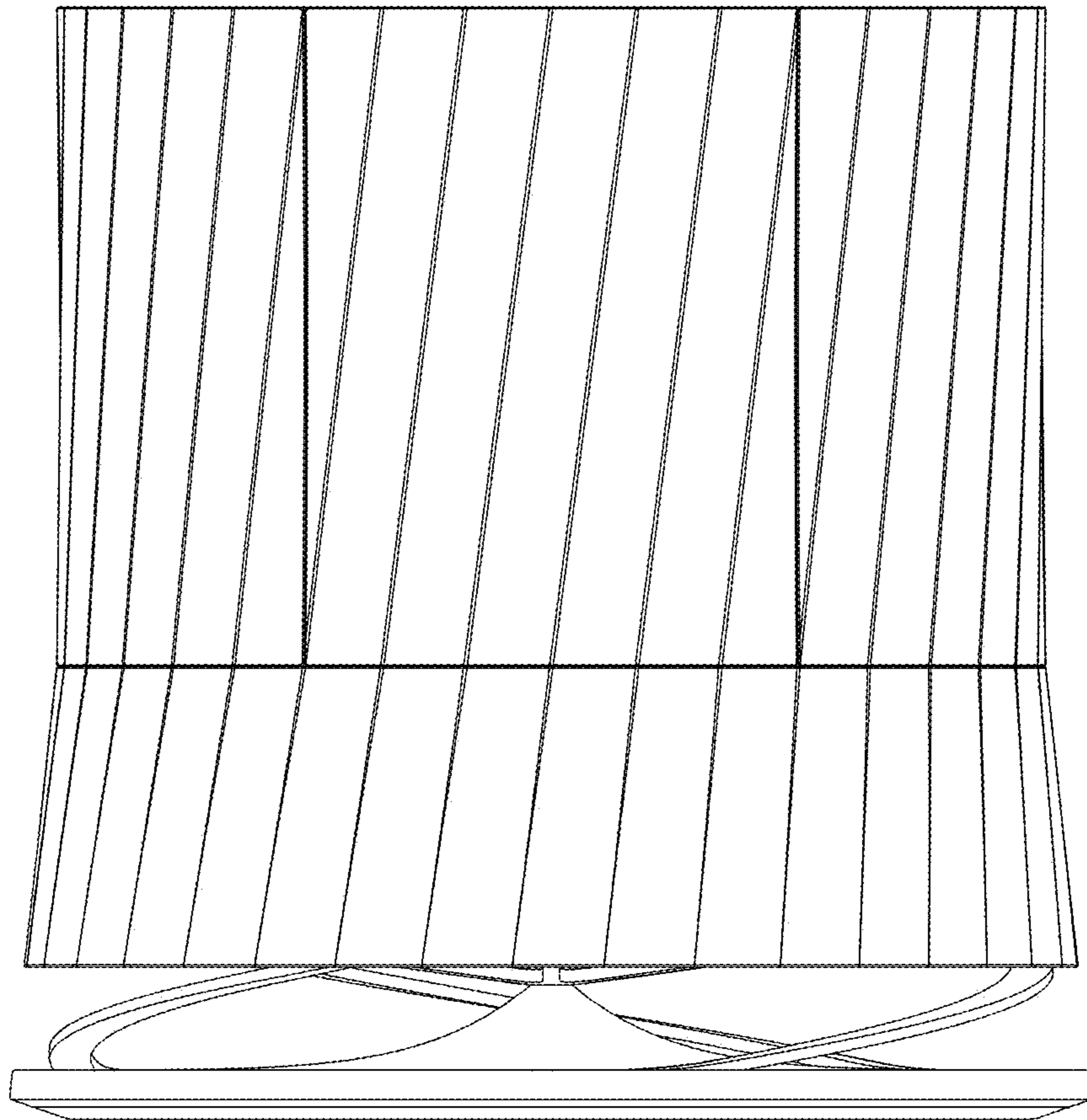


FIG. 3

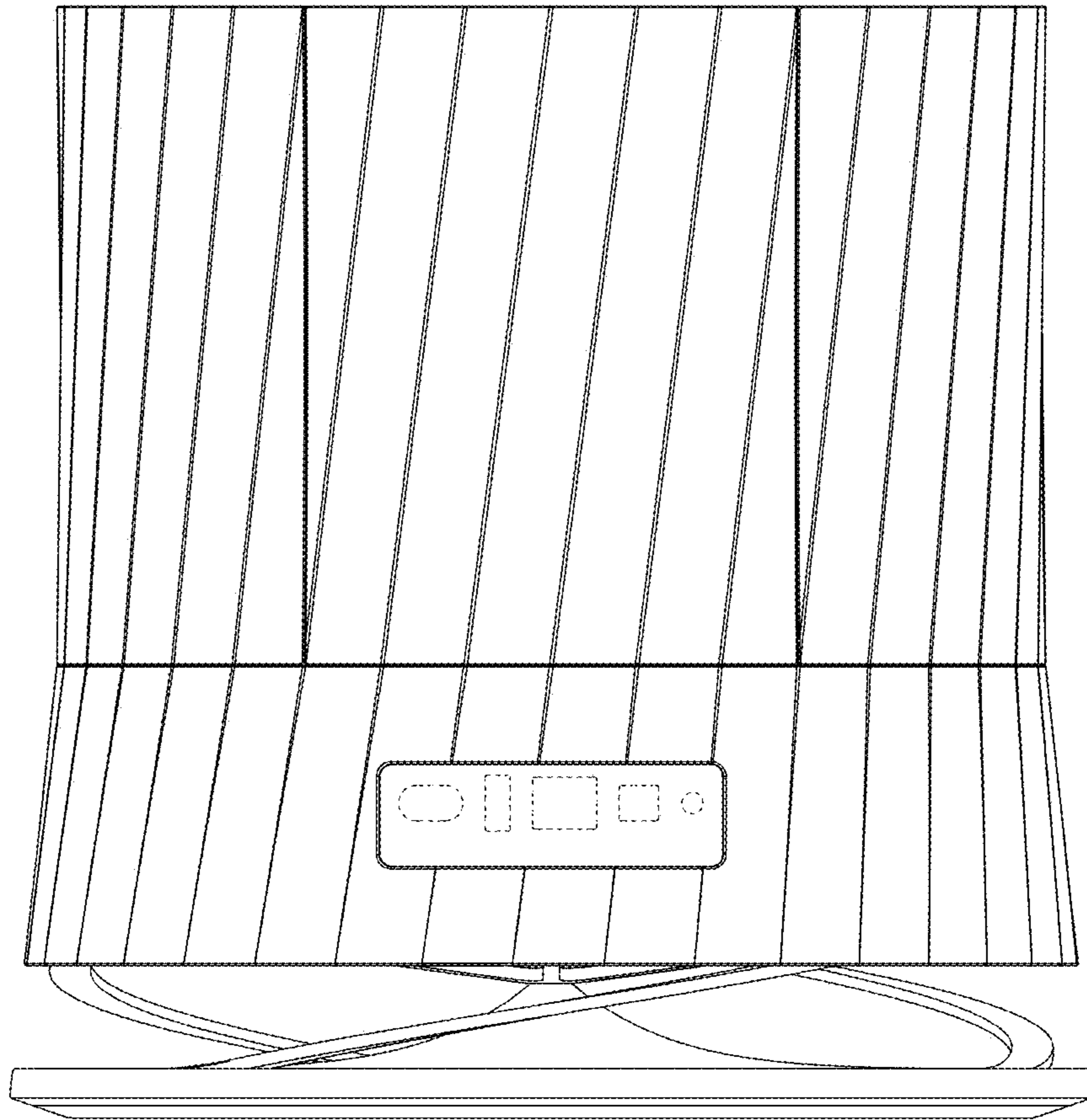


FIG. 4

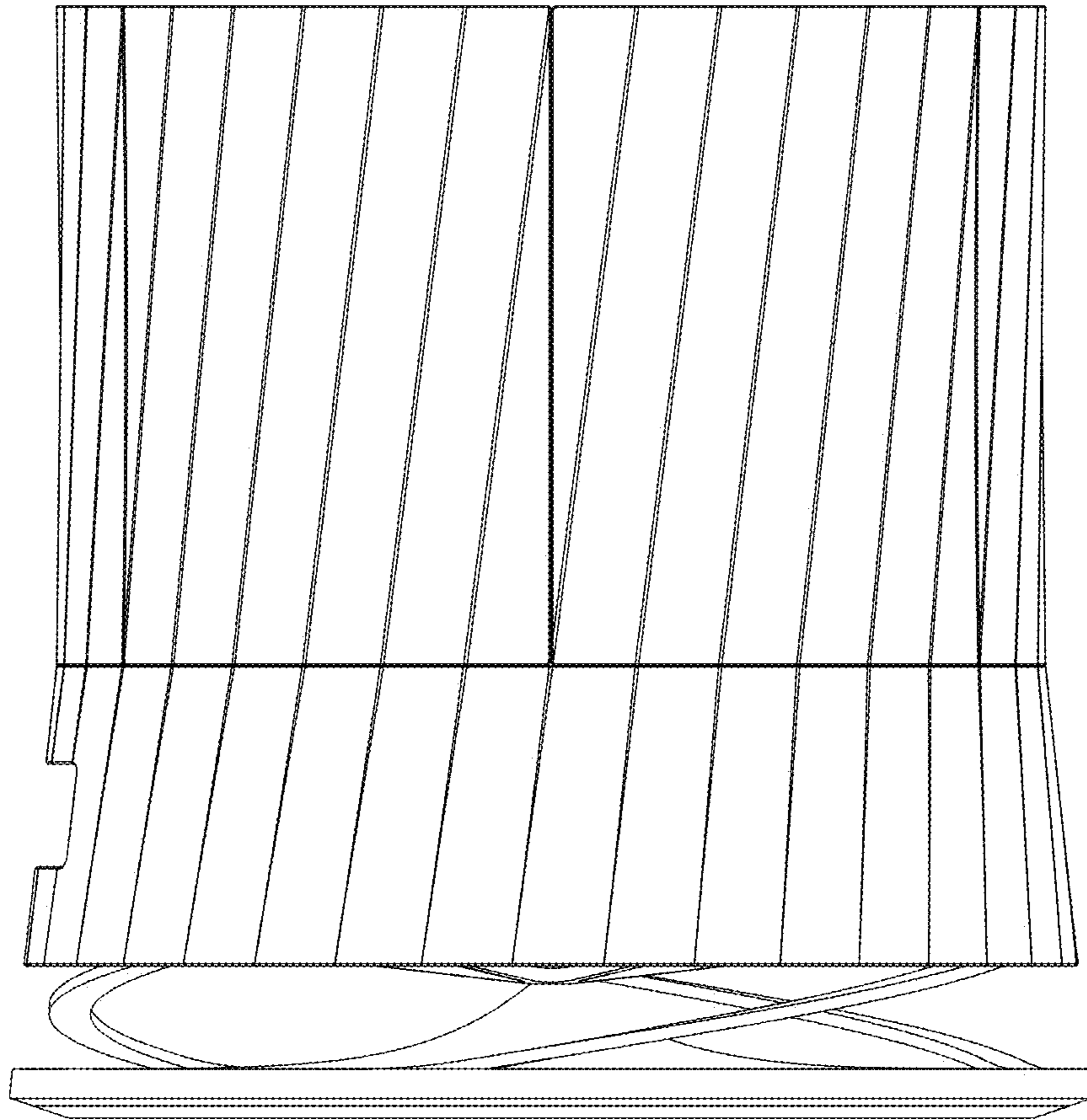


FIG. 5

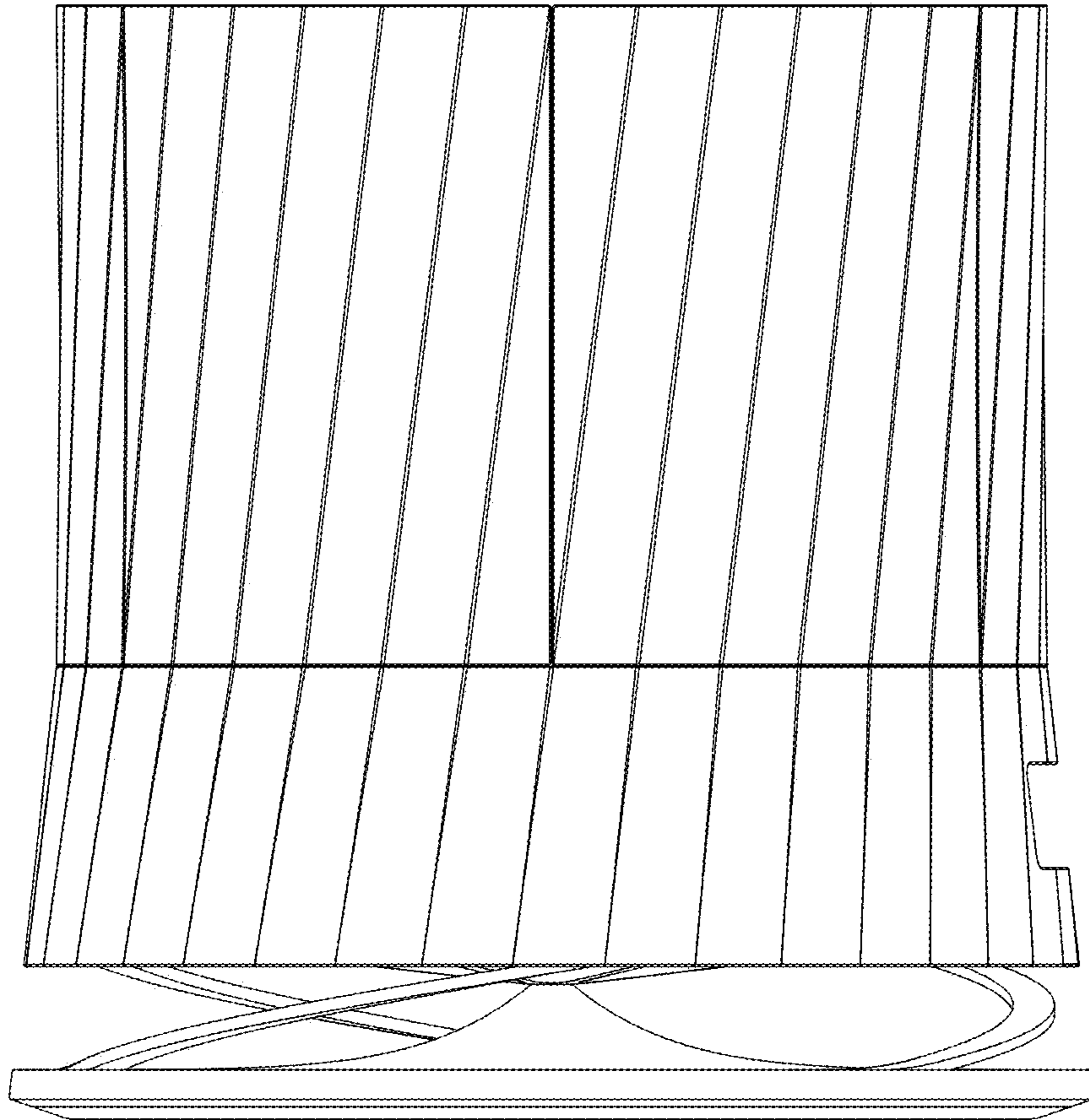


FIG. 6

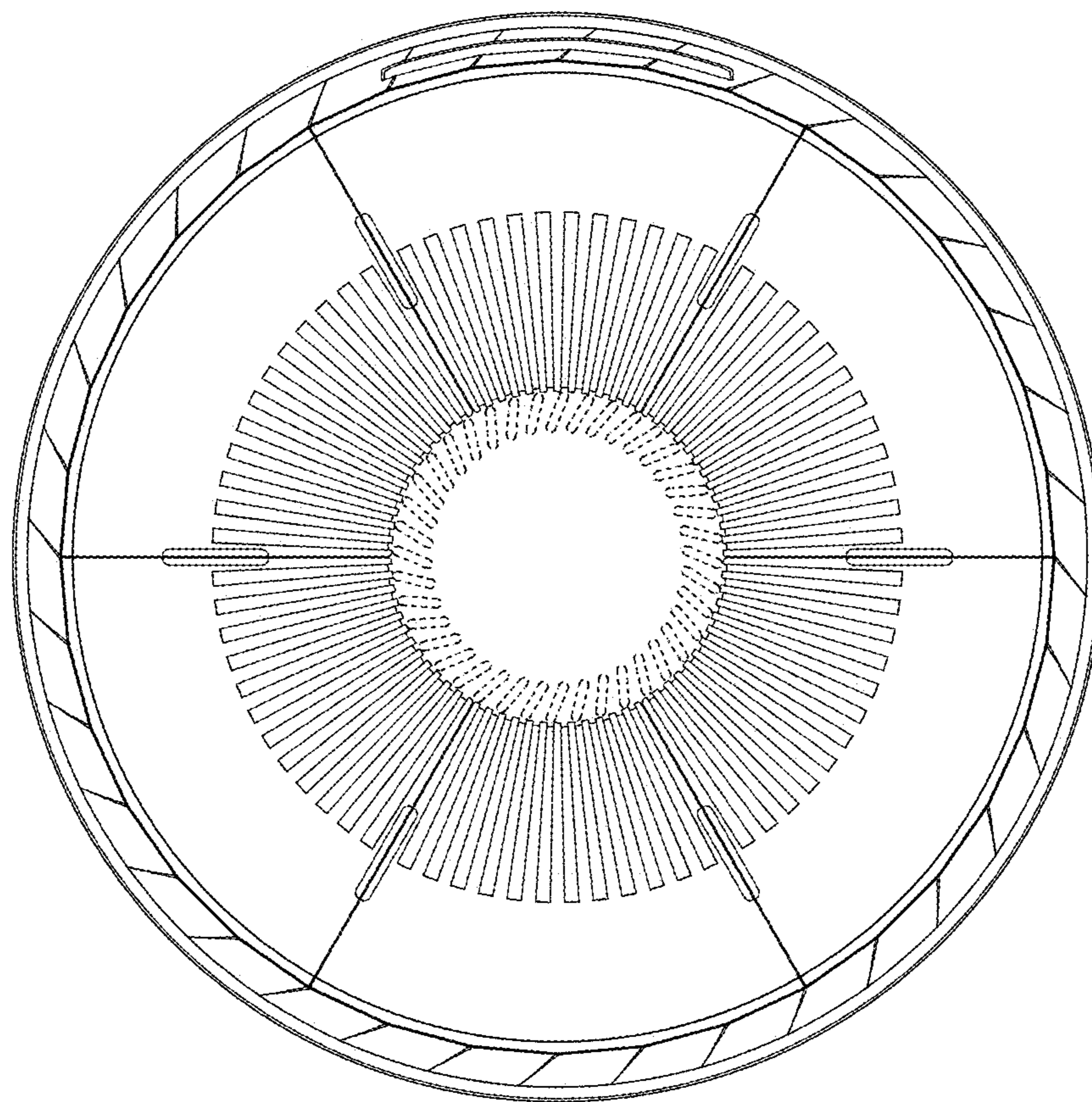


FIG. 7

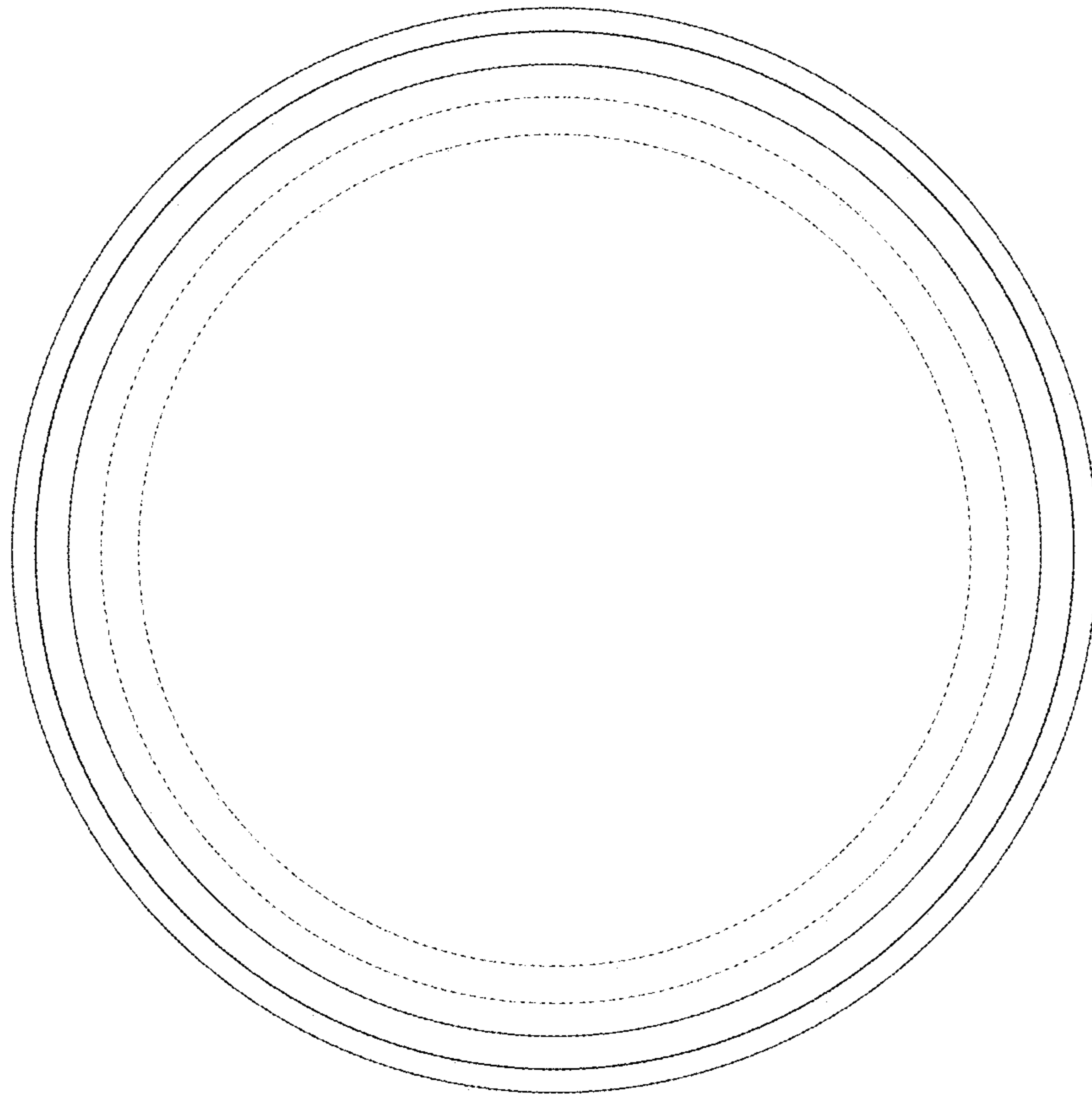


FIG. 8

