



US00D987650S

(12) **United States Design Patent** (10) **Patent No.:** **US D987,650 S**
Hong et al. (45) **Date of Patent:** **** May 30, 2023**

(54) **STAND FOR VIDEO CONFERENCING DISPLAY**

(71) Applicant: **LG ELECTRONICS INC.**, Seoul (KR)

(72) Inventors: **Hyeyoung Hong**, Seoul (KR); **Yongho Lee**, Seoul (KR); **Hongseok Kim**, Seoul (KR)

(73) Assignee: **LG ELECTRONICS INC.**, Seoul (KR)

(**) Term: **15 Years**

(21) Appl. No.: **35/513,101**

(22) Filed: **Jun. 10, 2021**

(80) **Hague Agreement Data**

Int. Filing Date: **Jun. 10, 2021**

Int. Reg. No.: **DM/214822**

Int. Reg. Date: **Jun. 10, 2021**

Int. Reg. Pub. Date: **Dec. 10, 2021**

(30) **Foreign Application Priority Data**

Dec. 18, 2020 (KR) 30-2020-0063307

(51) **LOC (14) Cl.** **14-02**

(52) **U.S. Cl.**
USPC **D14/451**; D19/114

(58) **Field of Classification Search**
USPC D6/300; D14/203.8, 239, 302, 375-377, D14/432, 448, 451; D19/113, 114
CPC G09F 15/0056; G09F 1/14; A47B 97/04; A47B 2097/006
See application file for complete search history.

(56) **References Cited**

U.S. PATENT DOCUMENTS

D300,150 S * 3/1989 Ishii D18/39

5,308,035 A * 5/1994 Ross A47B 97/04
248/460

5,725,192 A * 3/1998 Cloninger A47B 97/04
248/458

D401,625 S * 11/1998 Verbeek D19/114

6,170,792 B1 * 1/2001 Miceli A47F 5/10
248/441.1

D626,767 S * 11/2010 Lucci D6/708

D671,170 S * 11/2012 Udagawa D19/114

(Continued)

OTHER PUBLICATIONS

Microsoft launches All-New Surface Hub 2S and Steelcase Roam, publication date Sep. 16, 2019, [online] URL: <https://techcoffeehouse.com/2019/09/16/microsoft-launches-all-new-surface-hub-2s-and-steelcase-roam/> (Year: 2019).*

(Continued)

Primary Examiner — L. A. Grabenstetter

(74) *Attorney, Agent, or Firm* — Birch, Stewart, Kolasch & Birch, LLP

(57) **CLAIM**

The ornamental design for a stand for video conferencing display, as shown and described.

DESCRIPTION

1. Stand for video conferencing display

1.1 : Perspective

1.2 : Front

1.3 : Back

1.4 : Left

1.5 : Right

1.6 : Top

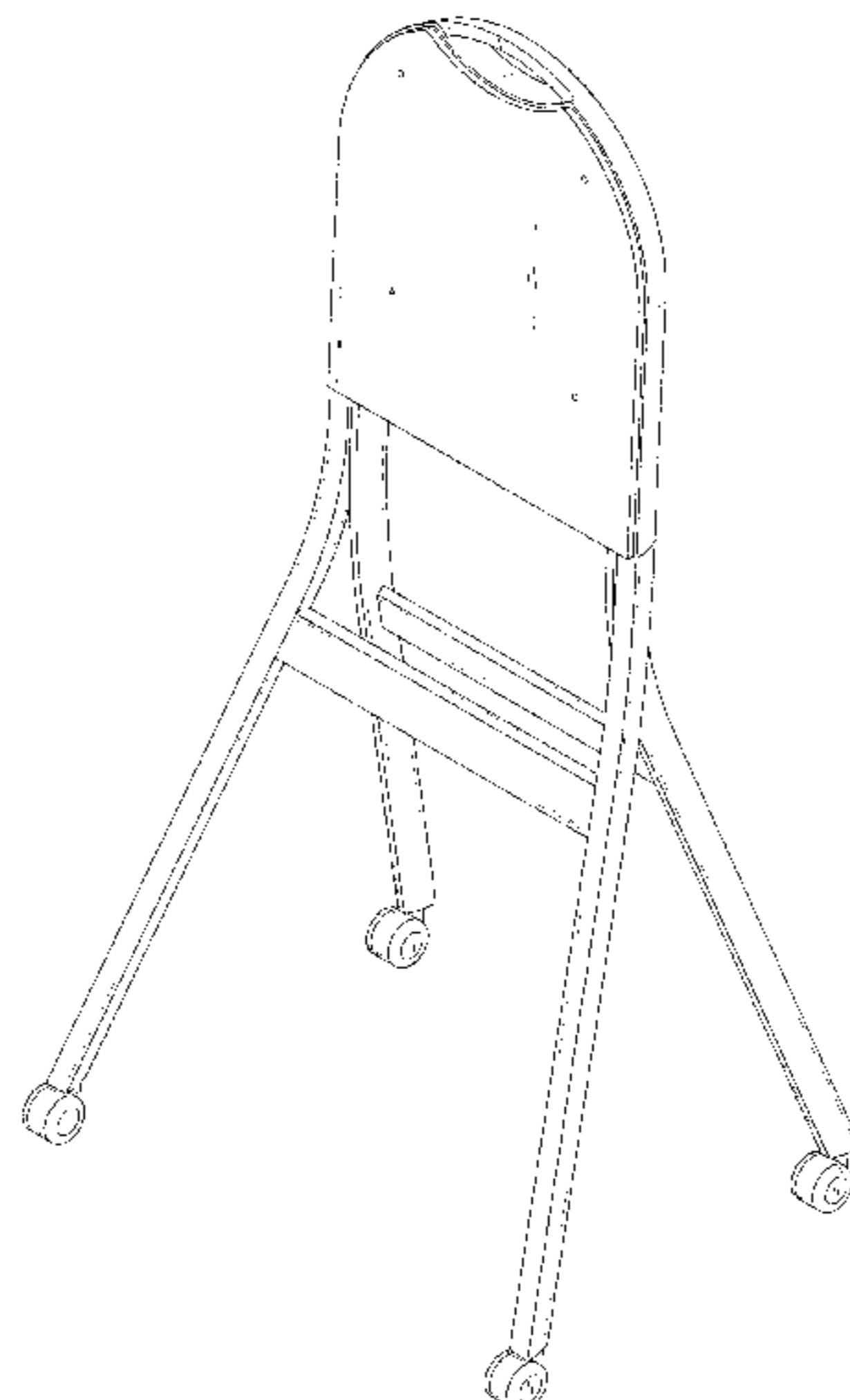
1.7 : Bottom

1.8 : Second Perspective, showing the stand for video conferencing display in a potential state of use

1.9 : Third Perspective, showing the stand for video conferencing display in a potential state of use

The broken lines depicting a video display screen in reproductions 1.8 and 1.9 represent environmental subject matter that forms no part of the claimed design.

1 Claim, 9 Drawing Sheets



(56)

References Cited

U.S. PATENT DOCUMENTS

D791,232 S * 7/2017 Terada D19/114
D792,383 S * 7/2017 Choi D14/239
D820,846 S * 6/2018 Lee D14/451
D821,371 S * 6/2018 Heckler D14/239
D822,108 S * 7/2018 Avallon D19/114
D822,109 S * 7/2018 Avallon D19/114
D846,555 S * 4/2019 Park D14/451
10,328,748 B1 * 6/2019 Kim B60B 33/0015
D861,786 S * 10/2019 Won D19/114
D864,296 S * 10/2019 Park D19/113
D886,821 S * 6/2020 Escolin D19/114
D891,838 S * 8/2020 Risdall D6/655
D896,192 S * 9/2020 Ren D19/114
D913,370 S * 3/2021 Hwang D19/114
D914,654 S * 3/2021 Pei D14/239
D915,363 S * 4/2021 Pei D14/239
D916,690 S * 4/2021 Kuroda D14/239
D939,628 S * 12/2021 Hyun G06F 3/044
D19/114
D940,238 S * 1/2022 Hyun G06F 3/044
D19/114
D946,230 S * 3/2022 Xu D34/12
D967,092 S * 10/2022 Bae D14/375

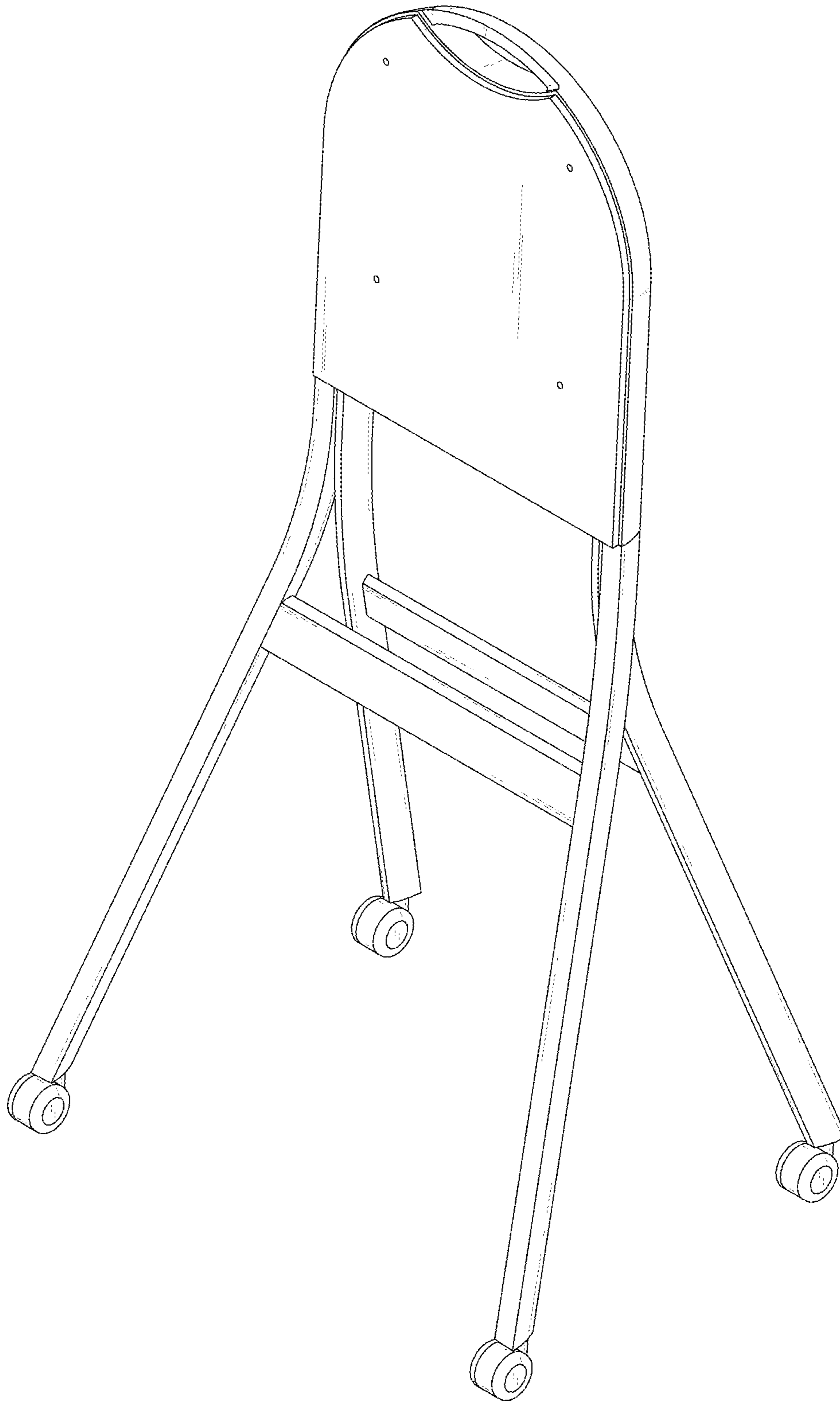
OTHER PUBLICATIONS

Mount-It! Portable TV Display Stand, publication date Dec. 11, 2019, [online] URL: <https://www.amazon.com/Mount-Digital-Signage-Floor-Stand/dp/B07TM1NY7V> (Year: 2019).*

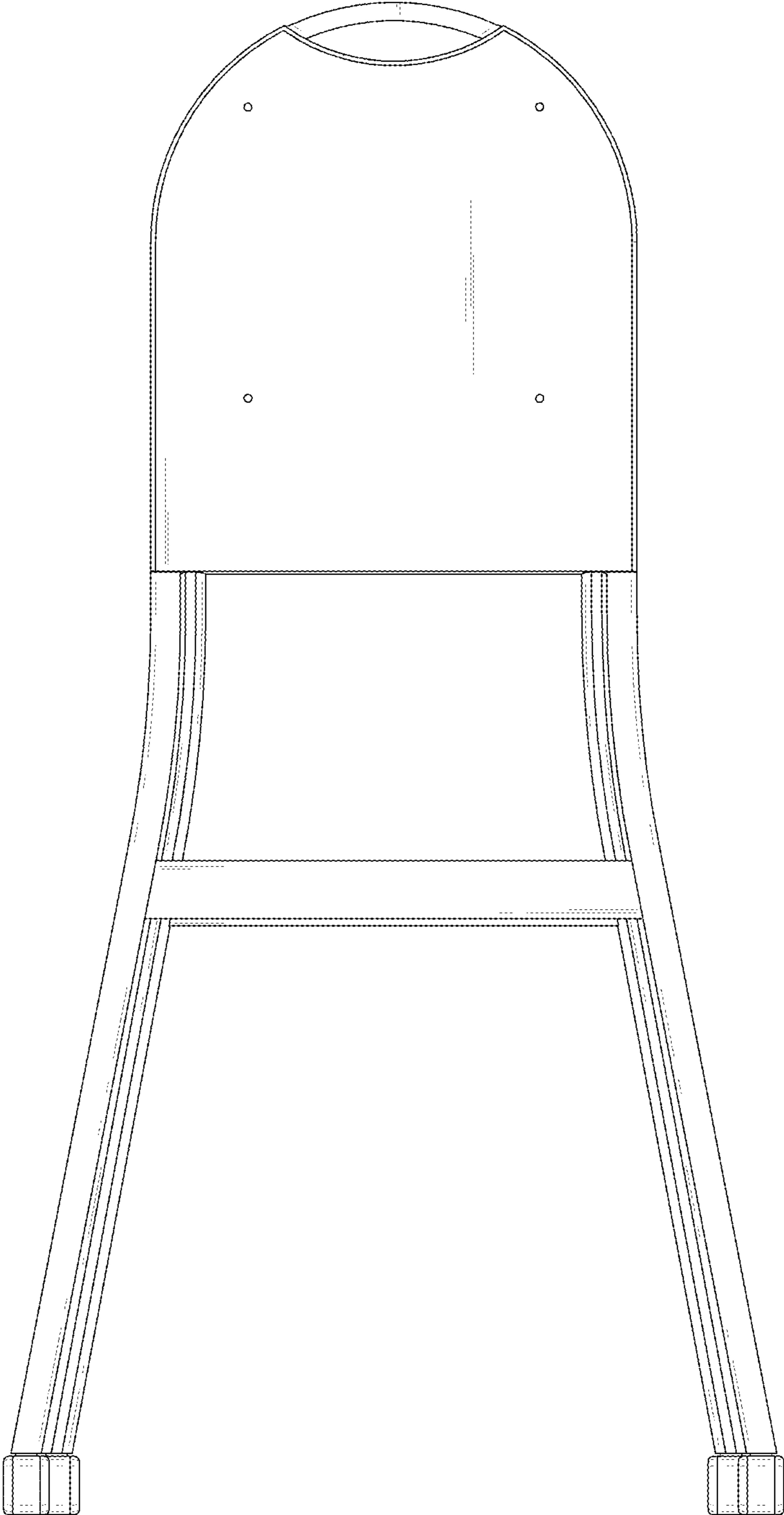
LG Is Streamlining Video Conferencing with Their New One:Quick Series, publication date Dec. 3, 2021, [online] URL: <https://robbreport.com/partners/lg-video-conferencing-onequick-series-1234643980/> (Year: 2021).*

* cited by examiner

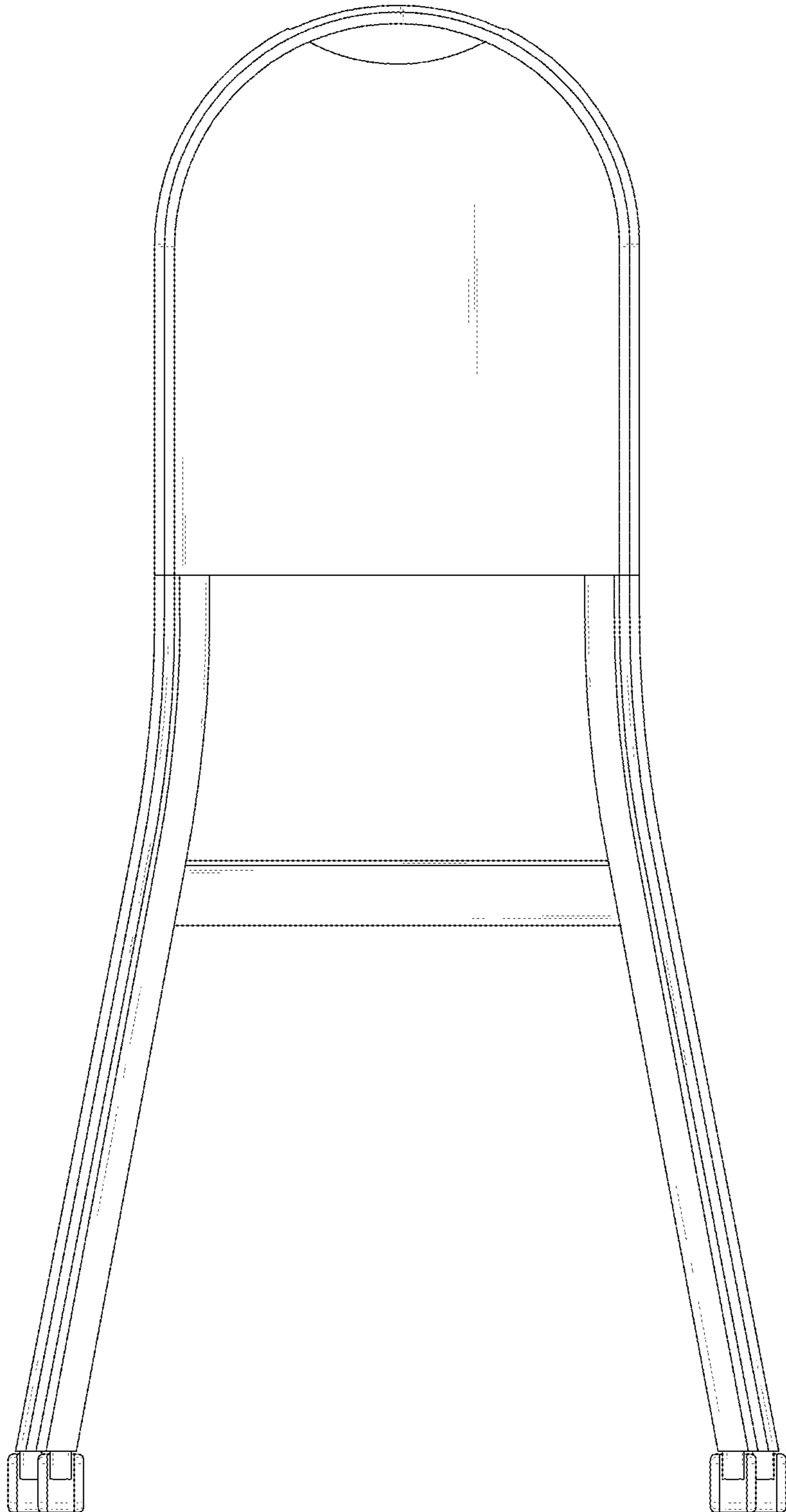
1.1



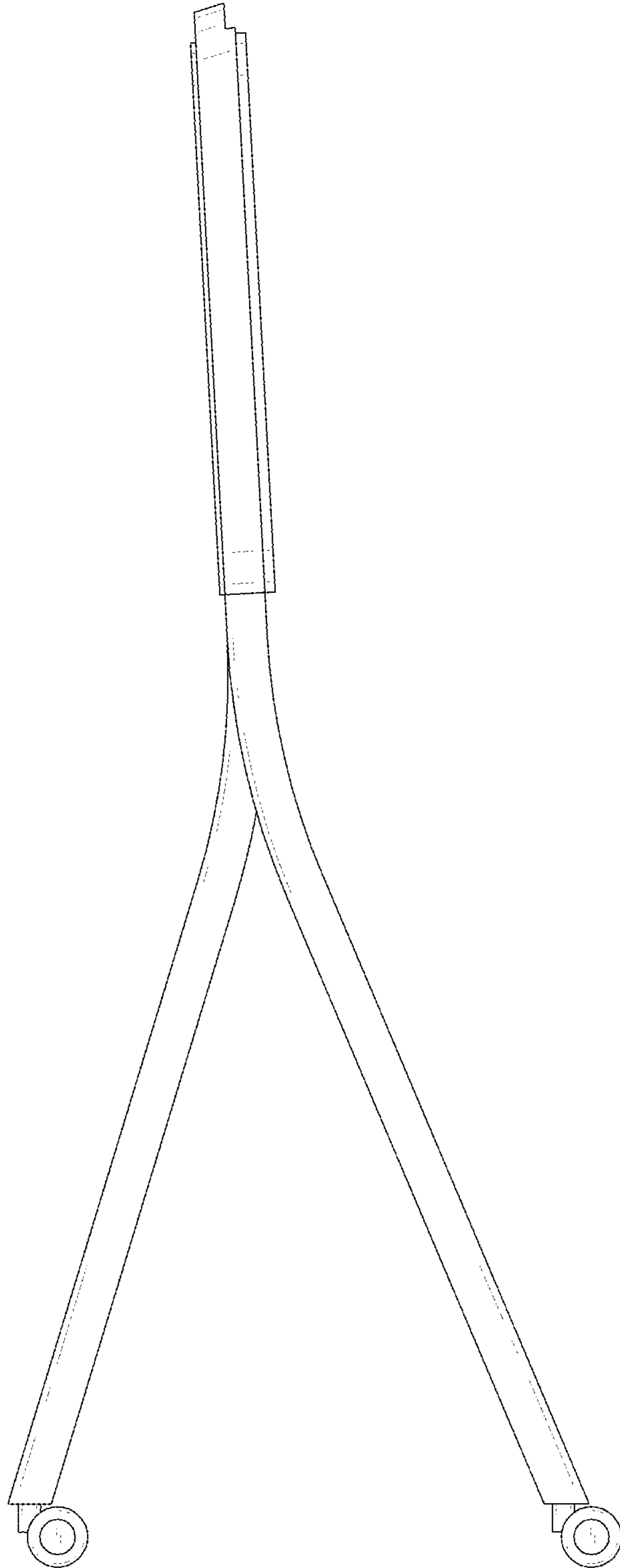
1.2



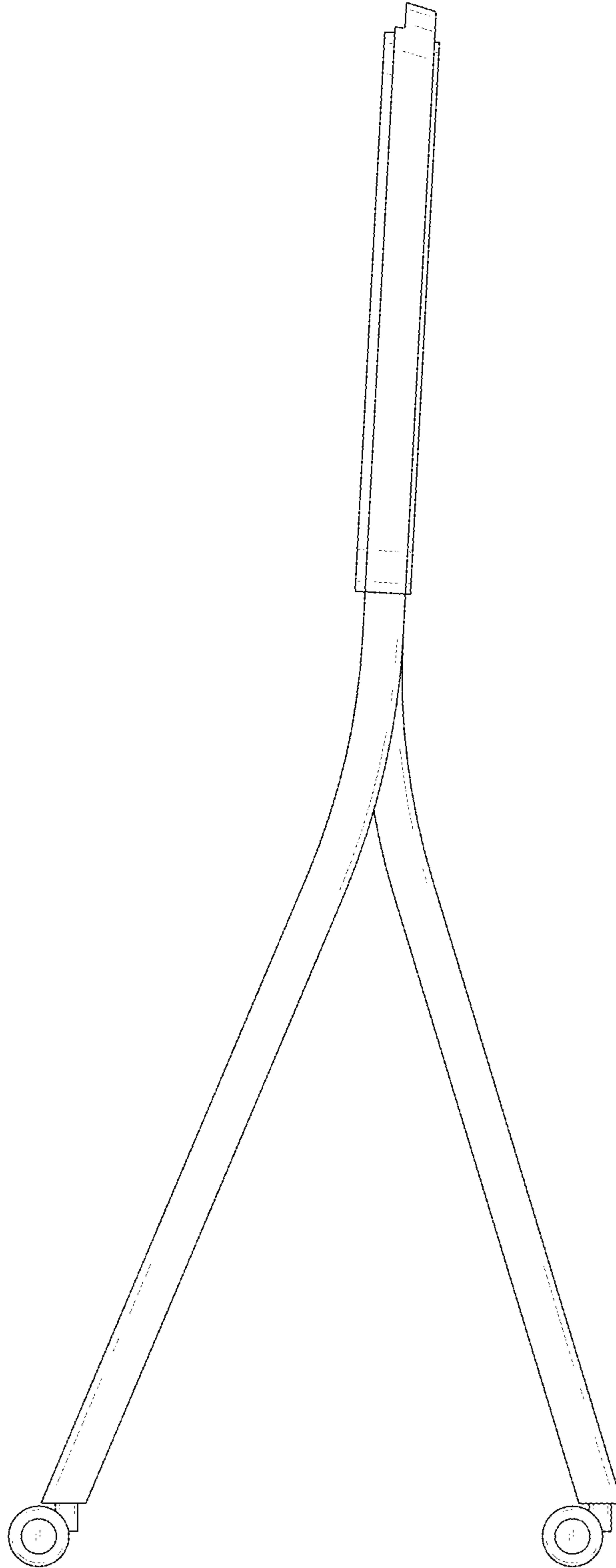
1.3



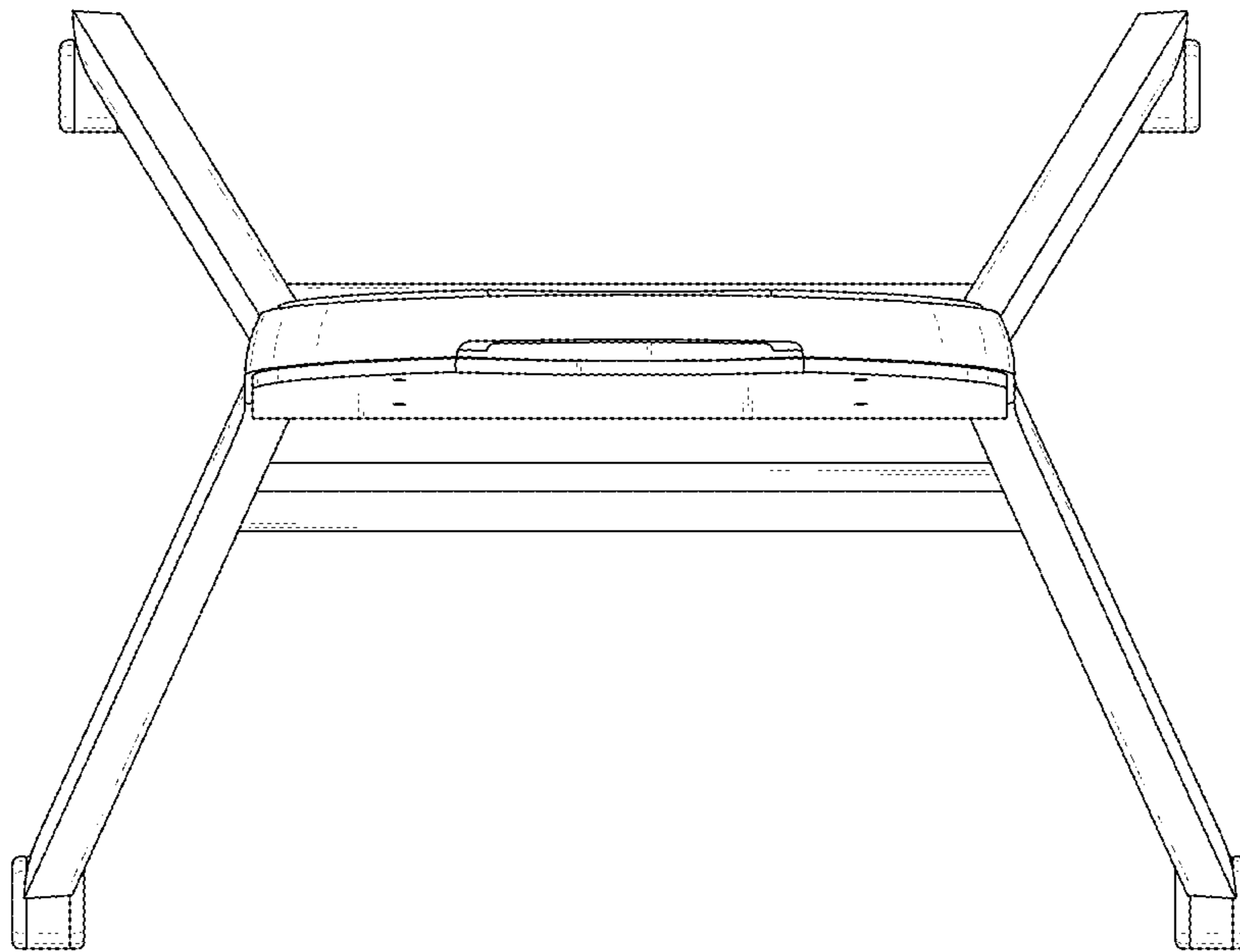
1.4



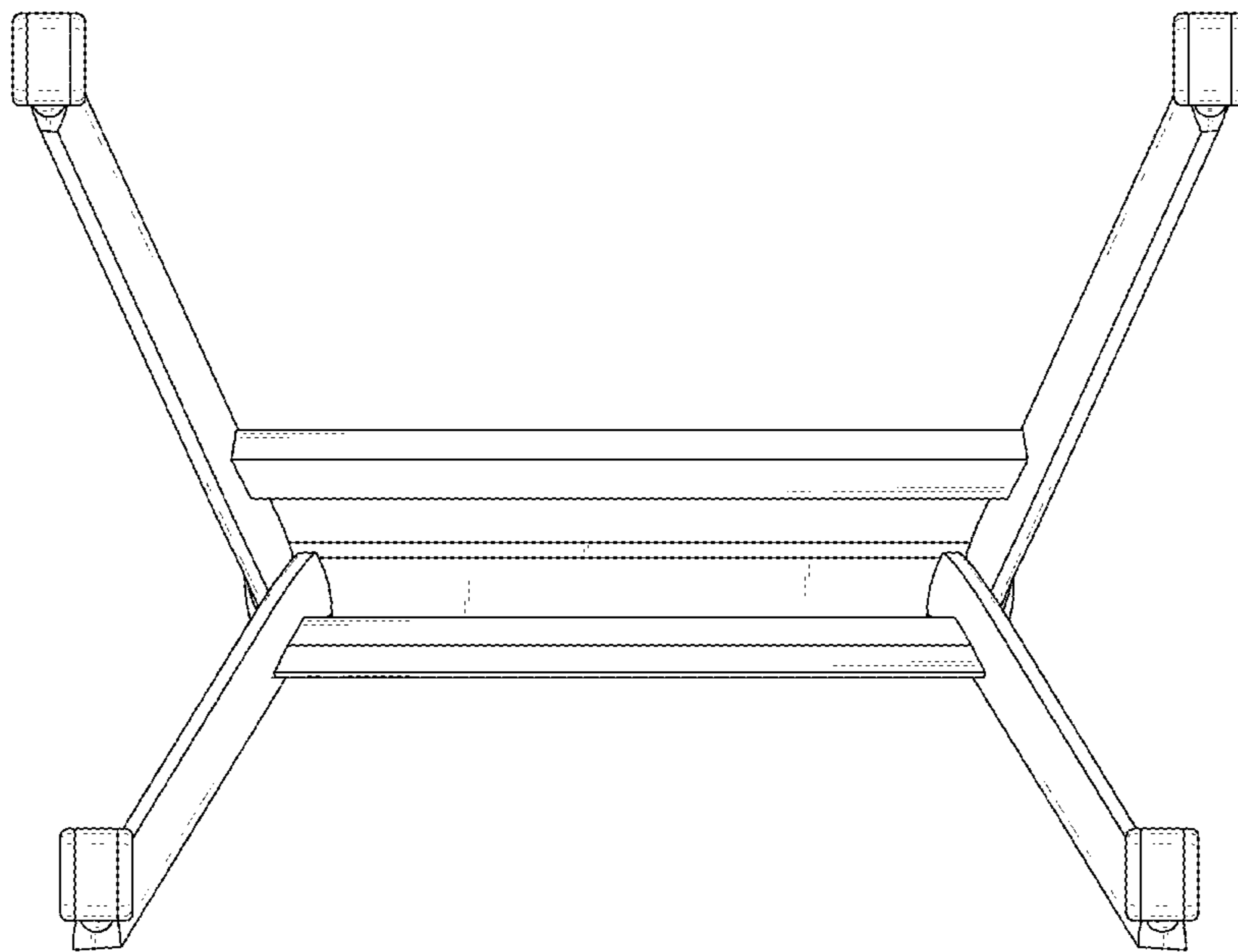
1.5



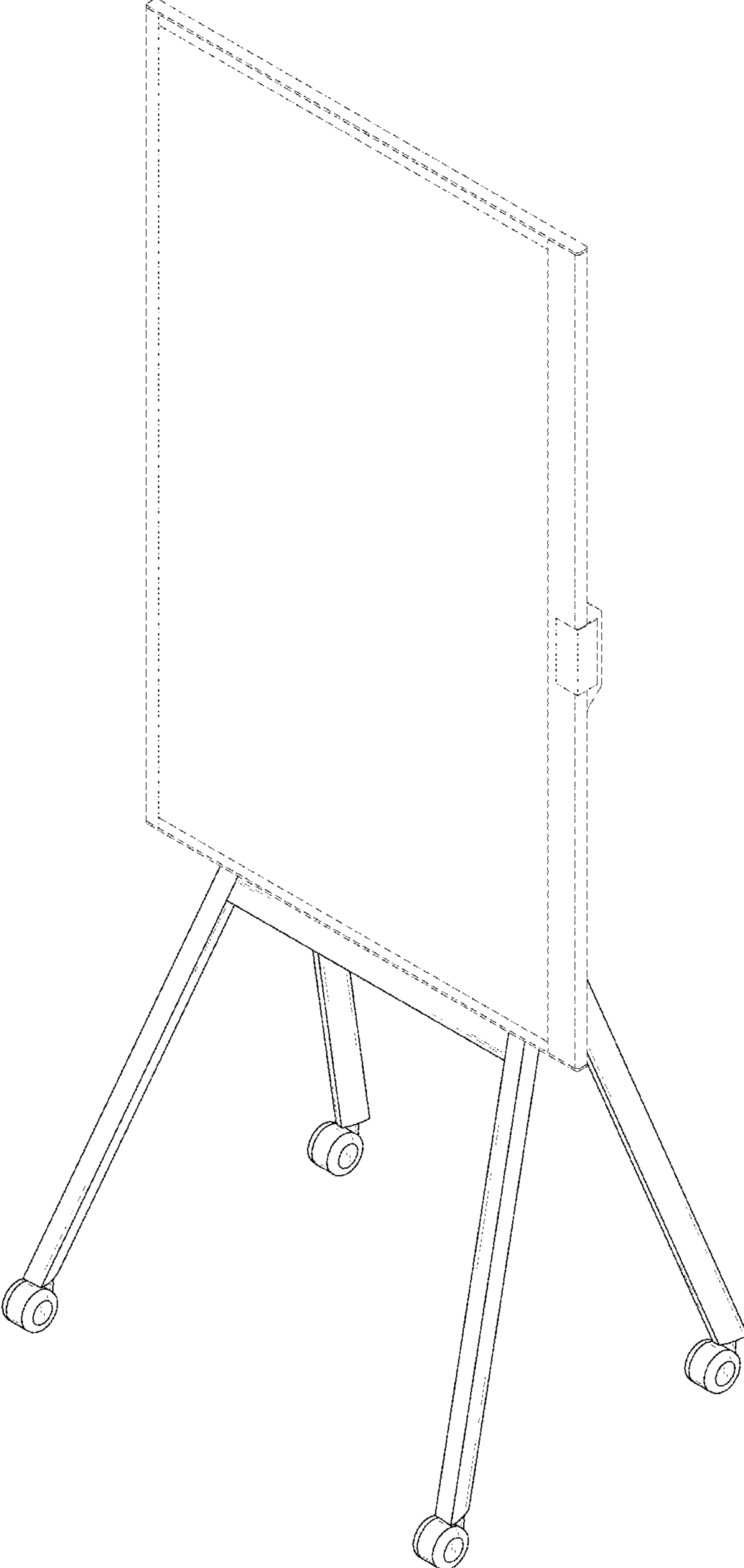
1.6



1.7



1.8



1.9

