



US00D987649S

(12) **United States Design Patent**  
**He et al.**

(10) **Patent No.:** **US D987,649 S**

(45) **Date of Patent:** **\*\* May 30, 2023**

(54) **SUPPORT FOR ELECTRIC DEVICES**

(71) Applicant: **Jiajia He**, Liuzhou (CN)

(72) Inventors: **Jiajia He**, Liuzhou (CN); **Haining Hou**, Liuzhou (CN); **Chenglan Huang**, Liuzhou (CN)

(73) Assignee: **Jiajia He**, Liuzhou (CN)

(\*\*) Term: **15 Years**

(21) Appl. No.: **29/768,239**

(22) Filed: **Jan. 28, 2021**

(30) **Foreign Application Priority Data**

Jul. 31, 2020 (CN) ..... 202030430338.7

(51) **LOC (14) Cl.** ..... **14-02**

(52) **U.S. Cl.**  
USPC ..... **D14/440**

(58) **Field of Classification Search**  
USPC ..... D14/217, 249, 250, 252, 253, 336, 341,  
D14/385, 387, 440, 447, 452; D18/4.4,  
D18/4.5, 12  
CPC ..... A47B 2023/049; A47B 2097/006  
See application file for complete search history.

(56) **References Cited**

**U.S. PATENT DOCUMENTS**

D649,153	S	*	11/2011	Symons	.....	D14/447
D683,141	S	*	5/2013	Symons	.....	D6/310
D687,832	S	*	8/2013	Edwards	.....	D14/447
D703,676	S	*	4/2014	Smith	.....	D14/447
D789,348	S	*	6/2017	Kim	.....	D14/251
D791,861	S	*	7/2017	Battle	.....	D18/4.5
D810,816	S	*	2/2018	Chen	.....	D18/4.4
10,563,812	B2	*	2/2020	Chen	.....	F16M 11/041
D898,017	S	*	10/2020	Zhang	.....	D14/447

(Continued)

**OTHER PUBLICATIONS**

Amazon.com\_ Roocase Adjustable Tablet Stand and Case, first available Jun. 27, 2021 [online], retrieved Oct. 21, 2022, available at URL: <https://a.co/d/17ycbyz> (Year: 2022).\*

*Primary Examiner* — Wendy L Arminio

*Assistant Examiner* — Carrie S Gelula

(74) *Attorney, Agent, or Firm* — Ipro, PLLC

(57) **CLAIM**

The ornamental design for a support for electric devices, as shown and described.

**DESCRIPTION**

FIG. 1 is a perspective view of a support for electric devices showing our new design;

FIG. 2 is another perspective view of the support for electric devices;

FIG. 3 is a front view thereof;

FIG. 4 is a back view thereof;

FIG. 5 is a right side view thereof;

FIG. 6 is a left side view thereof;

FIG. 7 is a top view thereof;

FIG. 8 is a bottom view thereof;

FIG. 9 is a perspective view showing an alternative configuration where the support for electric devices is partially folded;

FIG. 10 is a perspective view showing a second alternative configuration where the support for electric devices is partially folded;

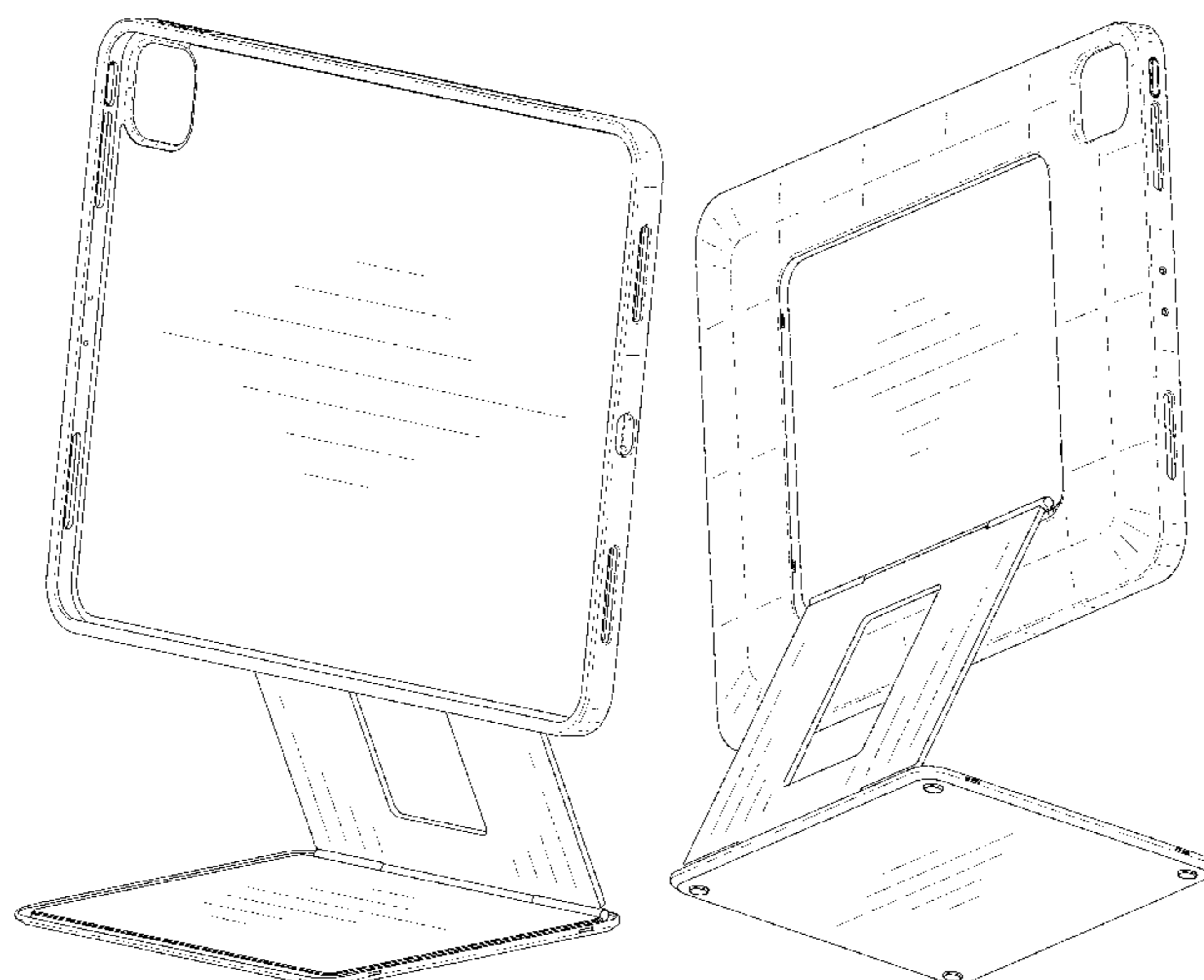
FIG. 11 is a perspective view showing a third alternative configuration where the support for electric devices is fully folded;

FIG. 12 is a perspective view of the support for electric devices showing environmental context; and,

FIG. 13 is another perspective view of the support for electric devices thereof.

In the drawings, the broken lines are for the purpose of showing portions of the design and environmental structure that form no part of the claimed design.

**1 Claim, 13 Drawing Sheets**



(56)

**References Cited**

U.S. PATENT DOCUMENTS

D902,217 S *	11/2020	Zhang .....	D14/447
D920,981 S *	6/2021	Zhang .....	D14/434
D929,986 S *	9/2021	Chen .....	D14/253
D936,136 S *	11/2021	Eun .....	D18/4.5
D936,662 S *	11/2021	Gao .....	D14/447
D943,592 S *	2/2022	Guo .....	D14/440
D946,001 S *	3/2022	Liao .....	D14/447
D952,644 S *	5/2022	Lee .....	D14/447
2022/0001907 A1 *	1/2022	Wells .....	H05K 5/0221

\* cited by examiner

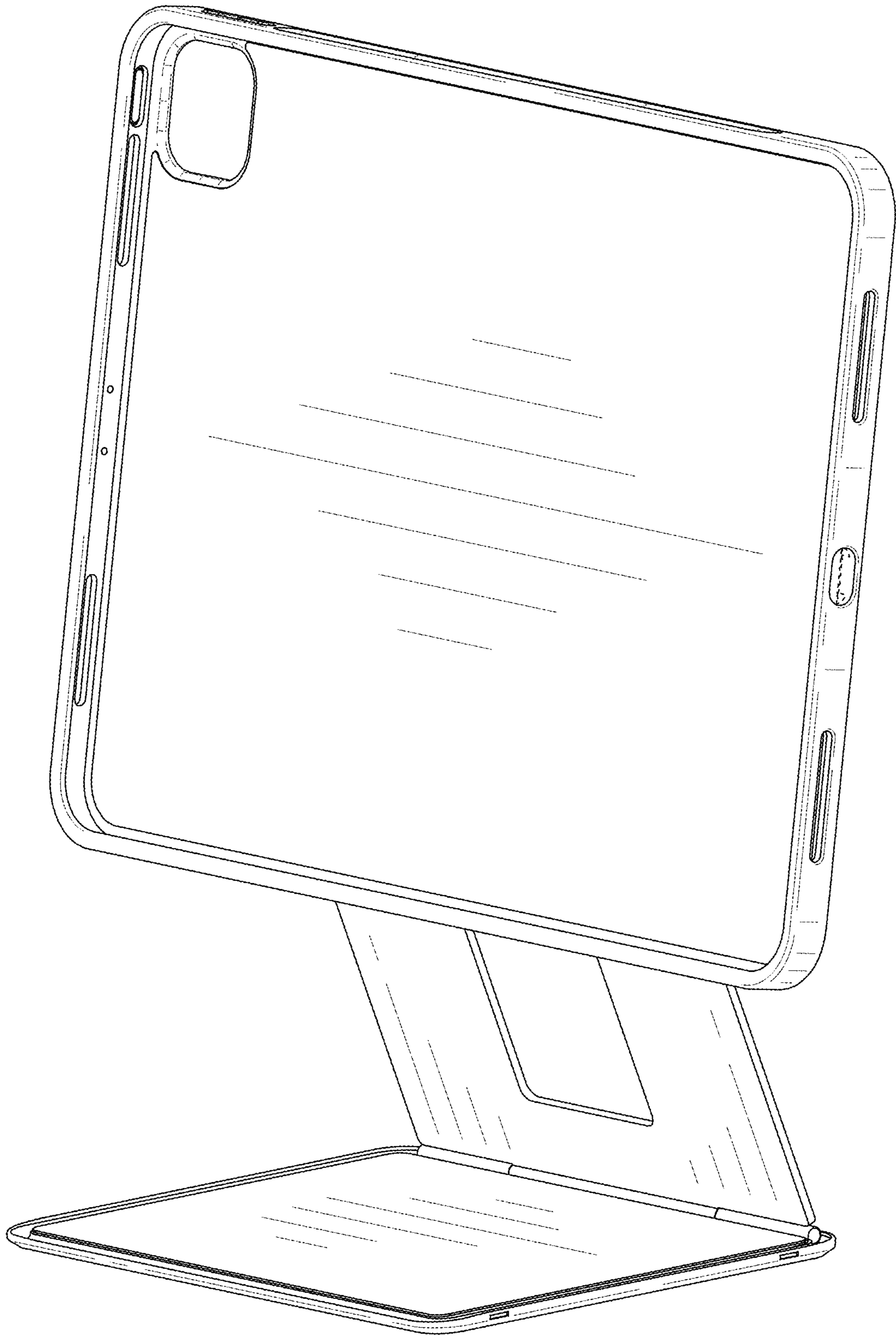


FIG. 1

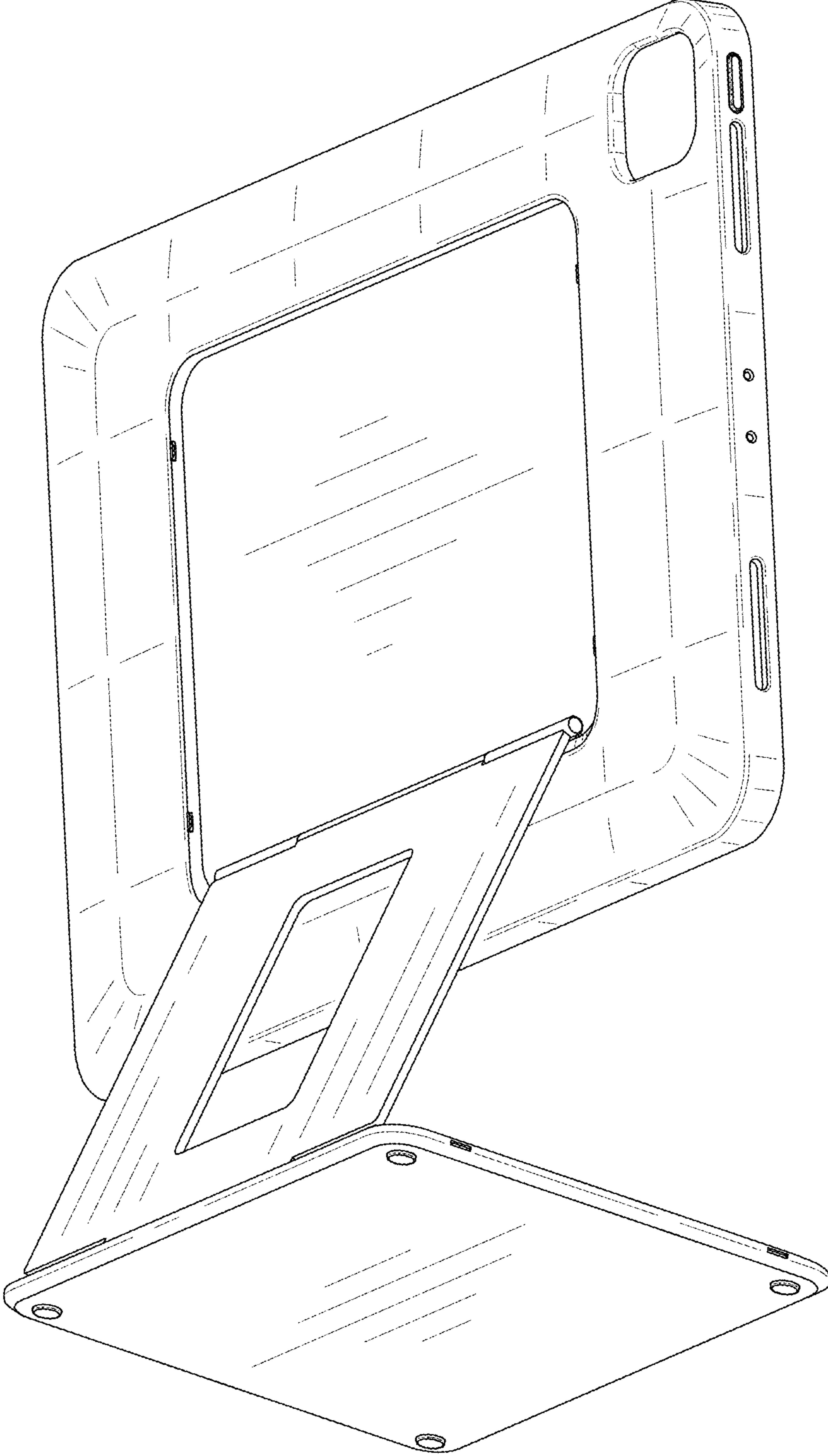


FIG. 2

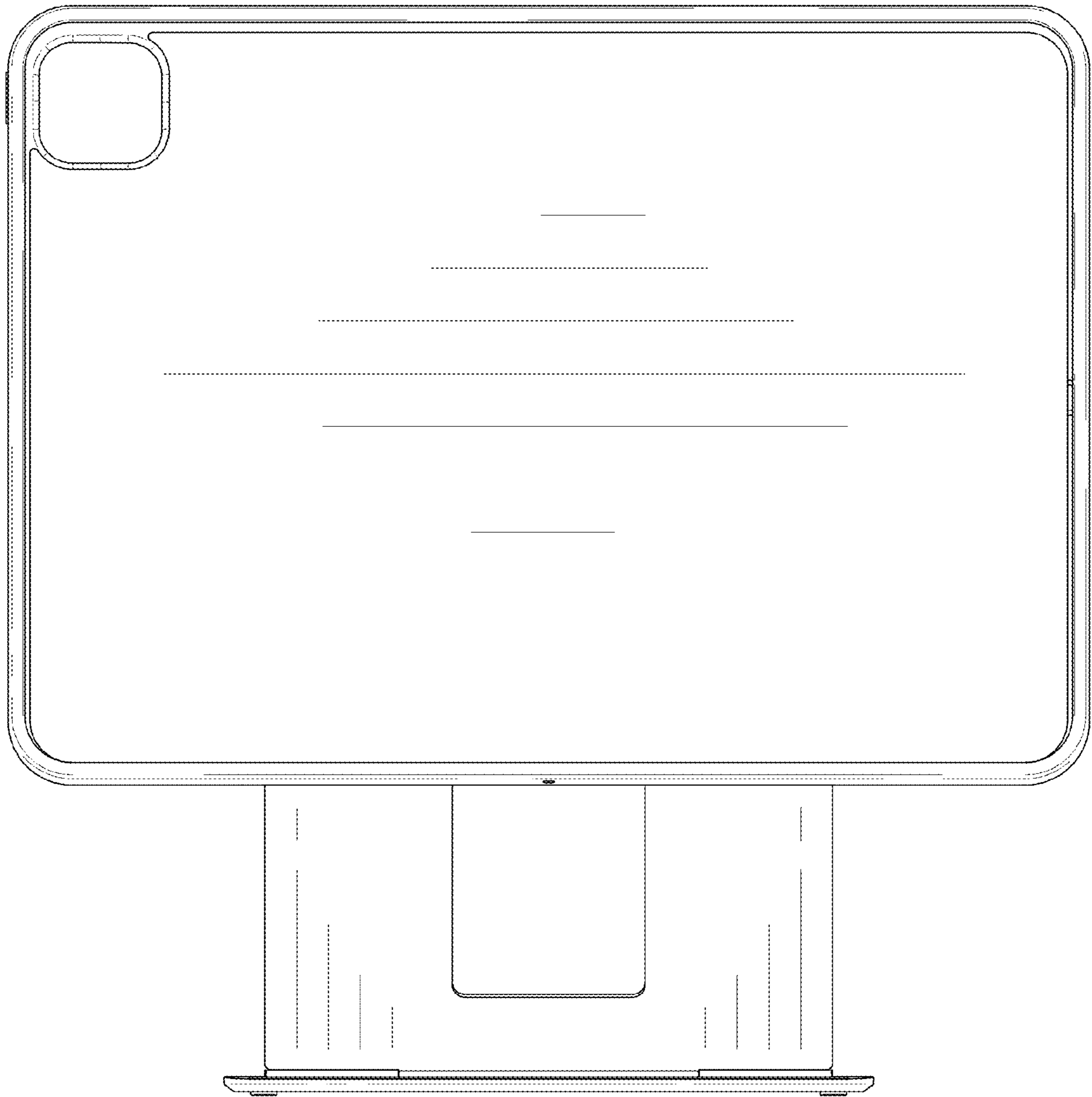


FIG. 3

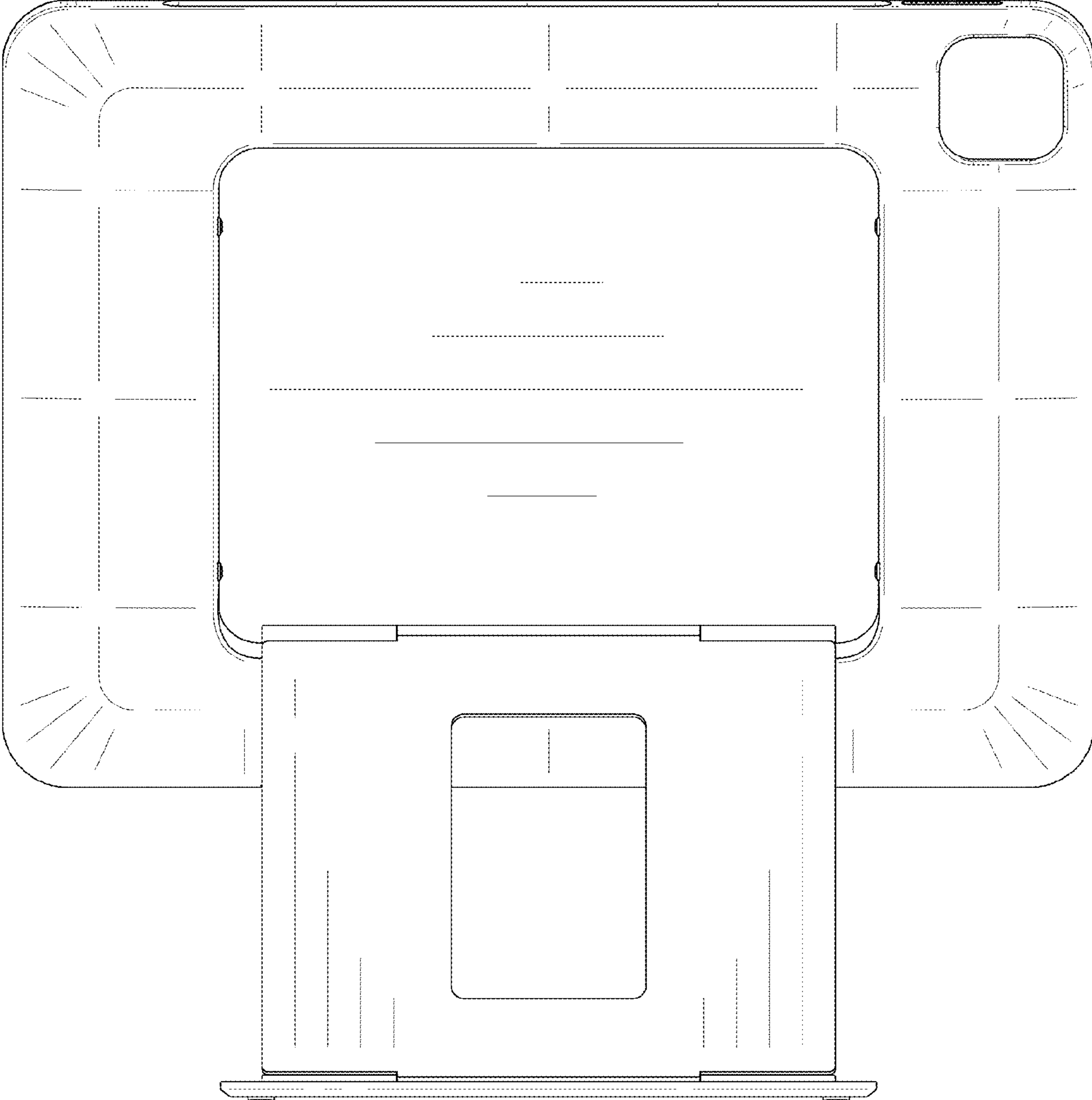


FIG. 4

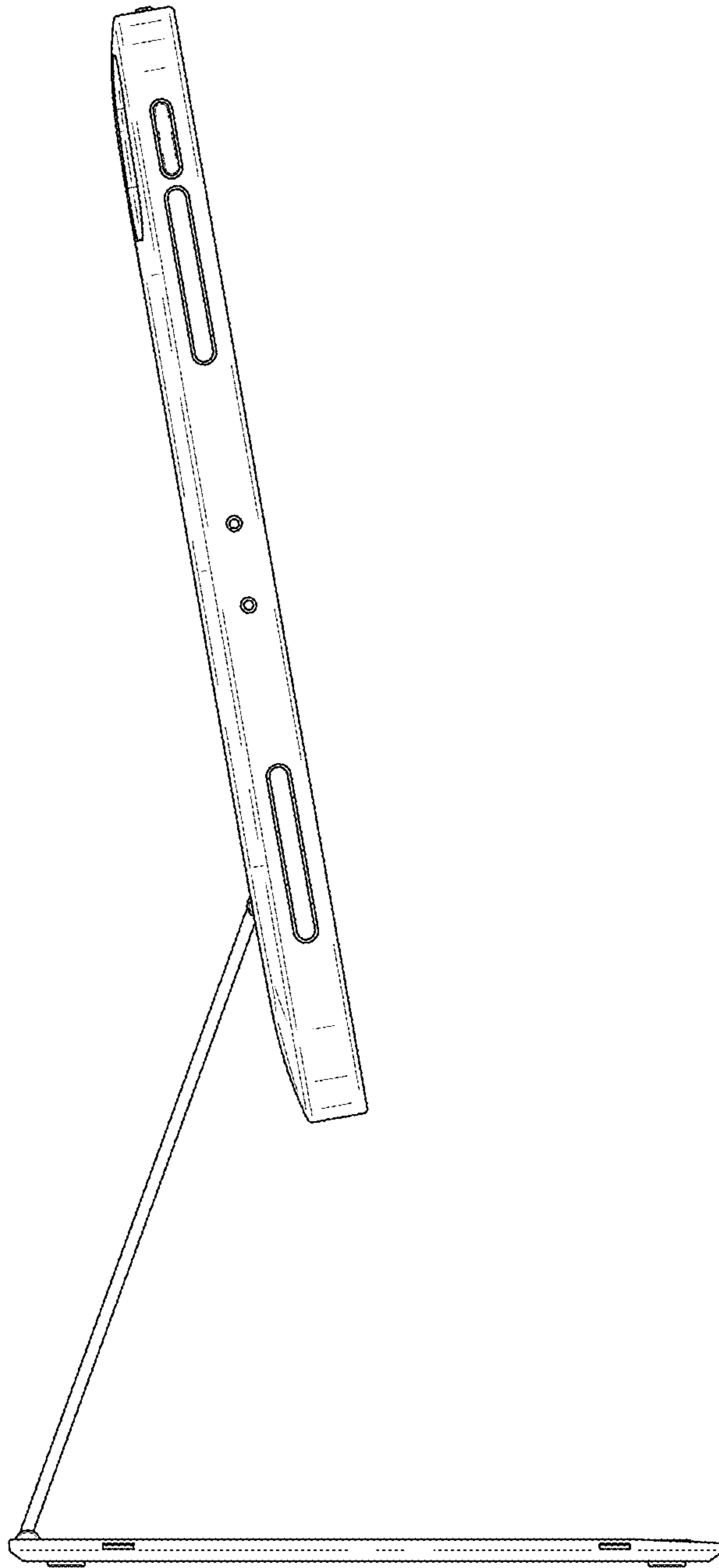


FIG. 5

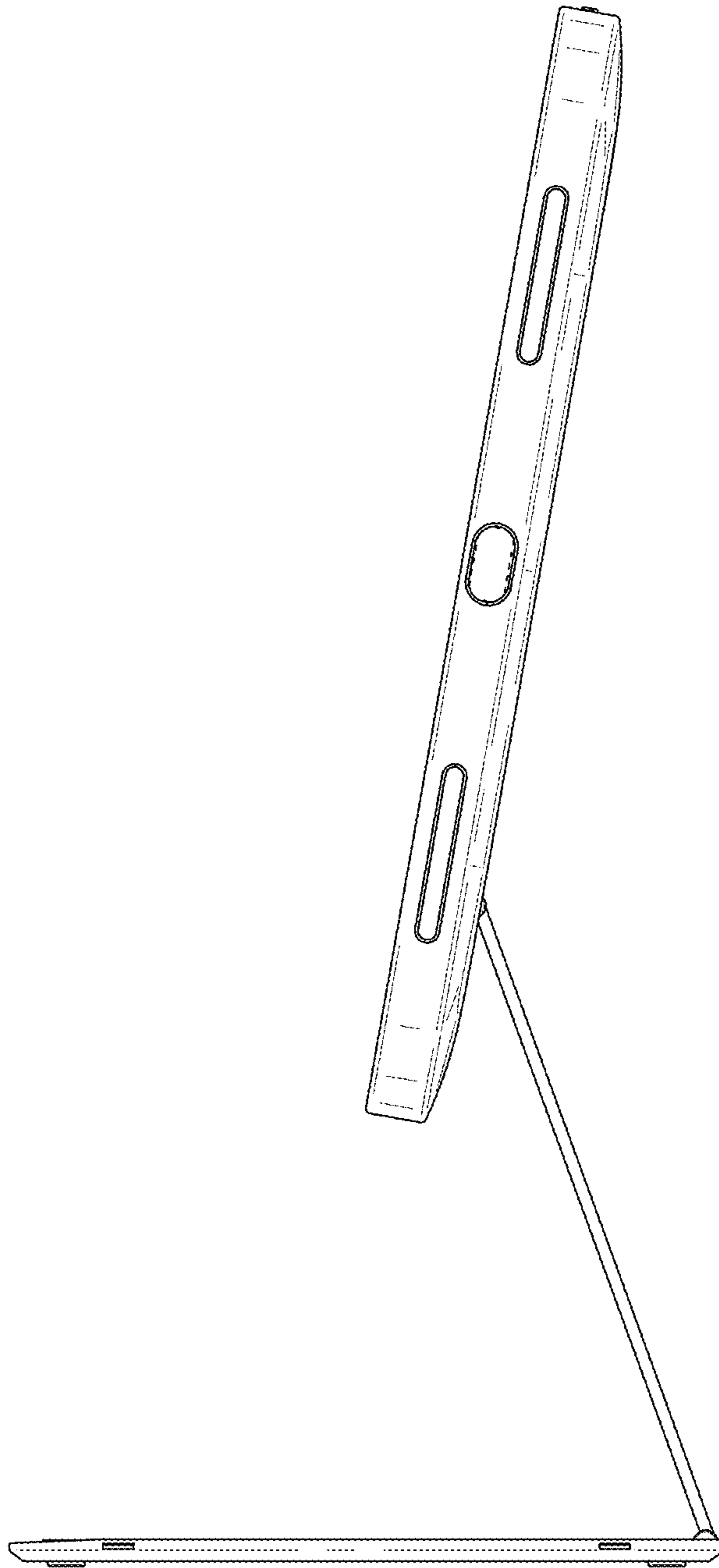


FIG. 6



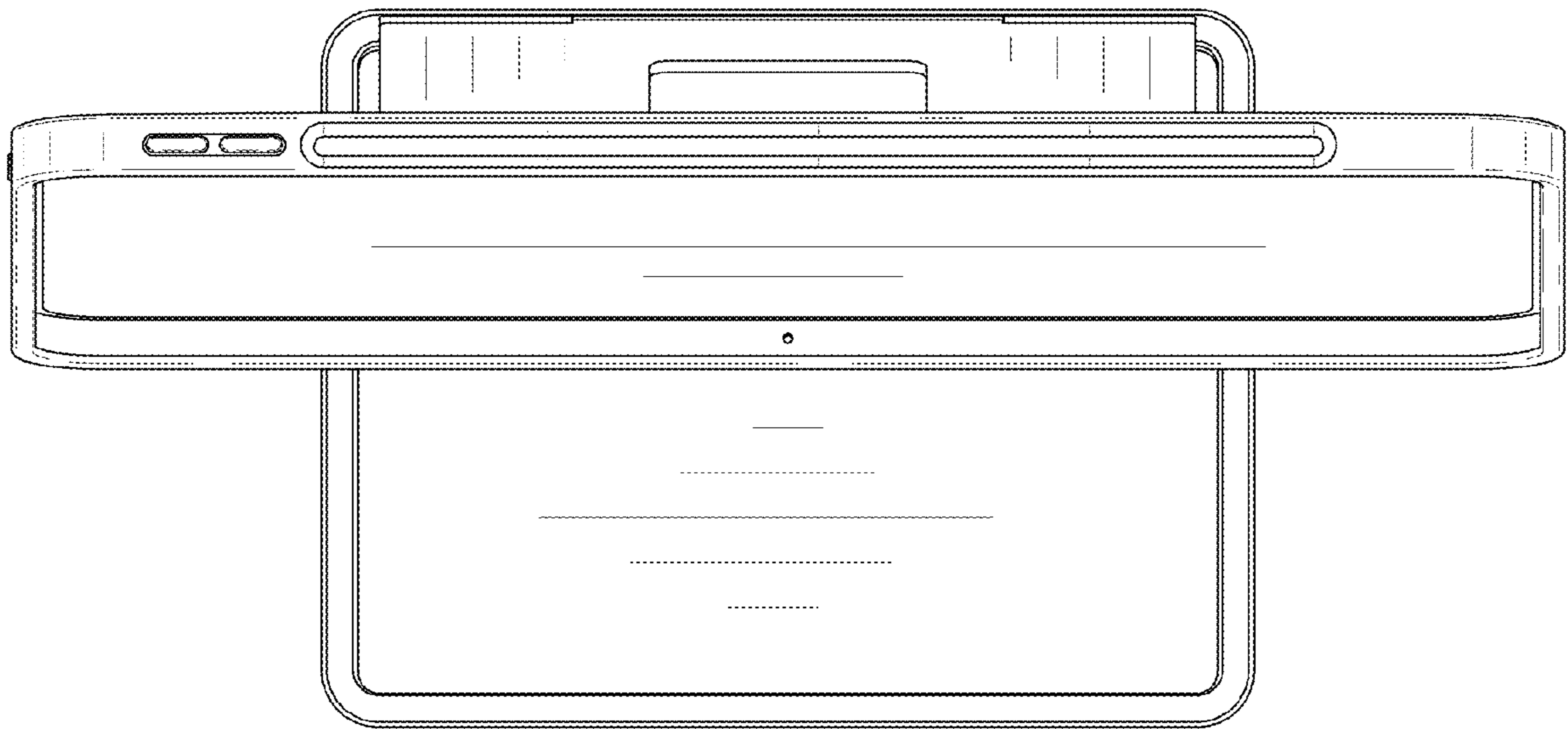


FIG. 7

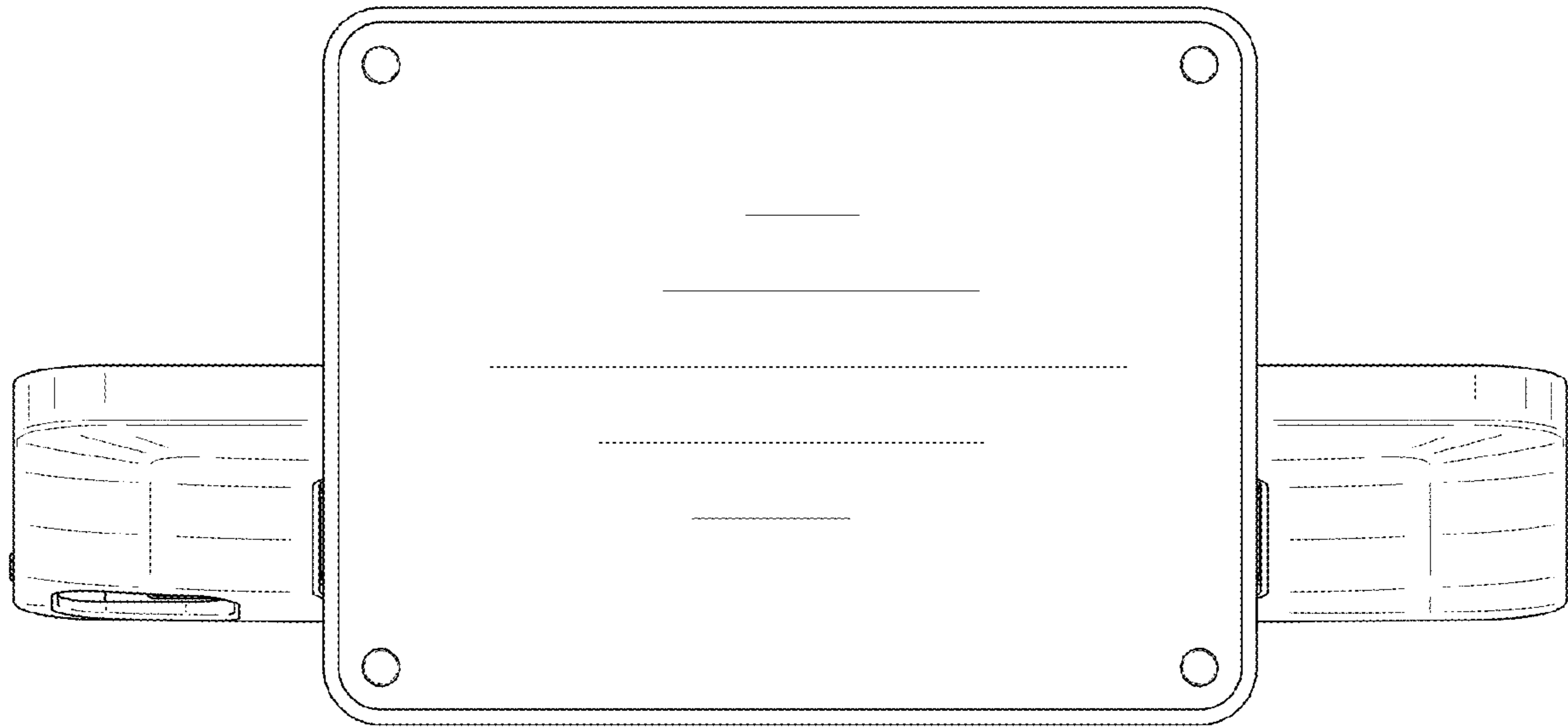


FIG. 8

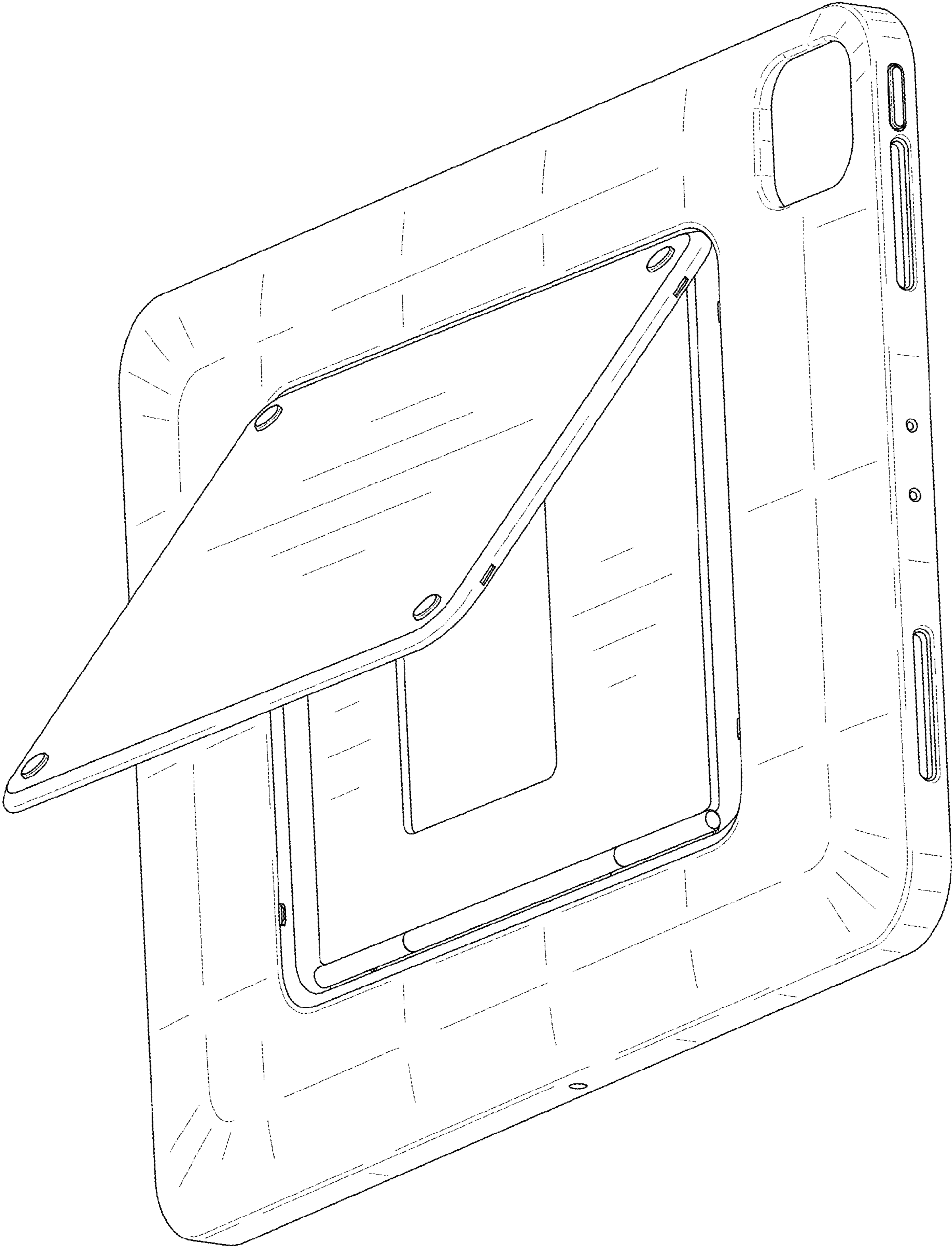


FIG. 9

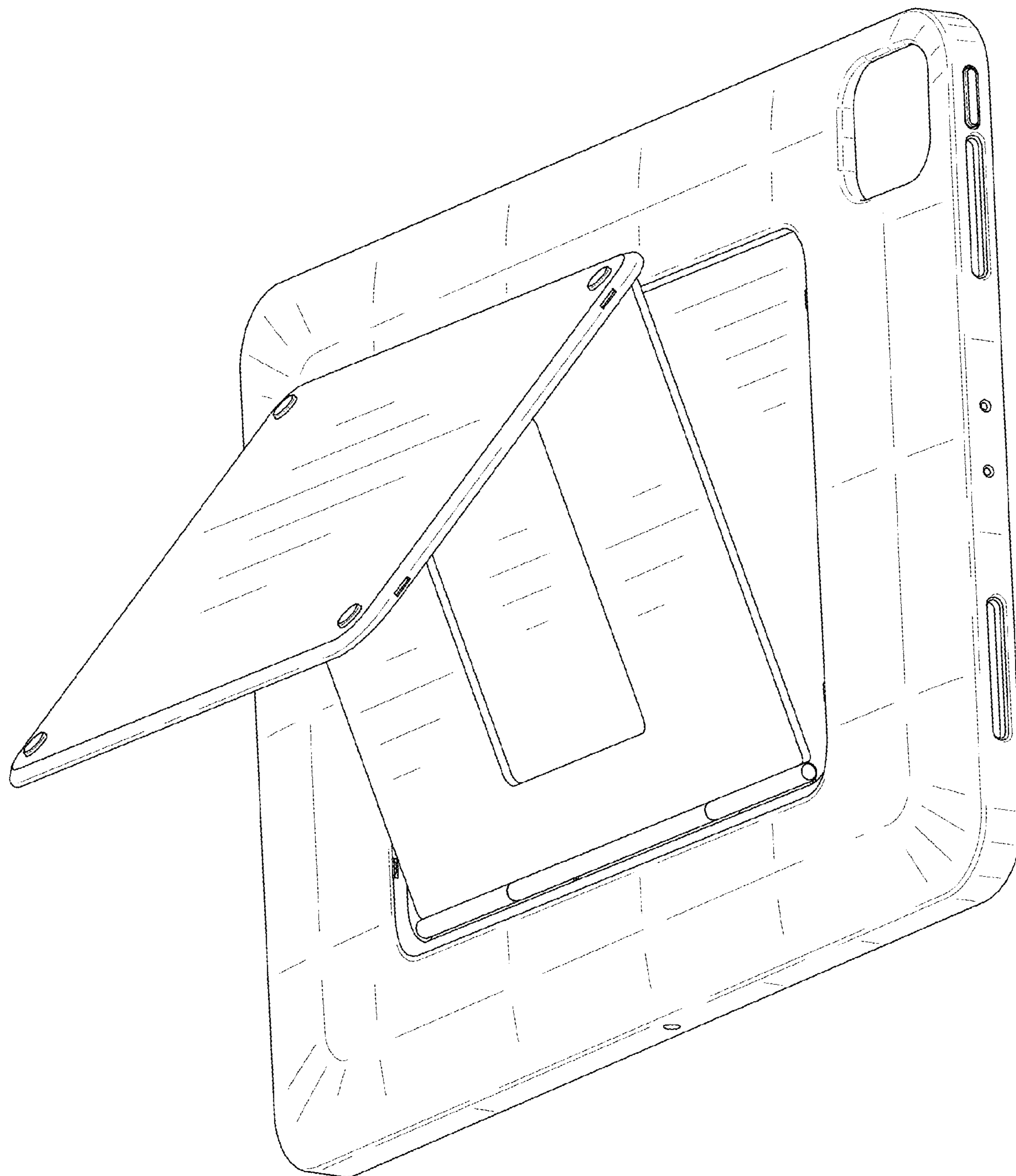


FIG. 10

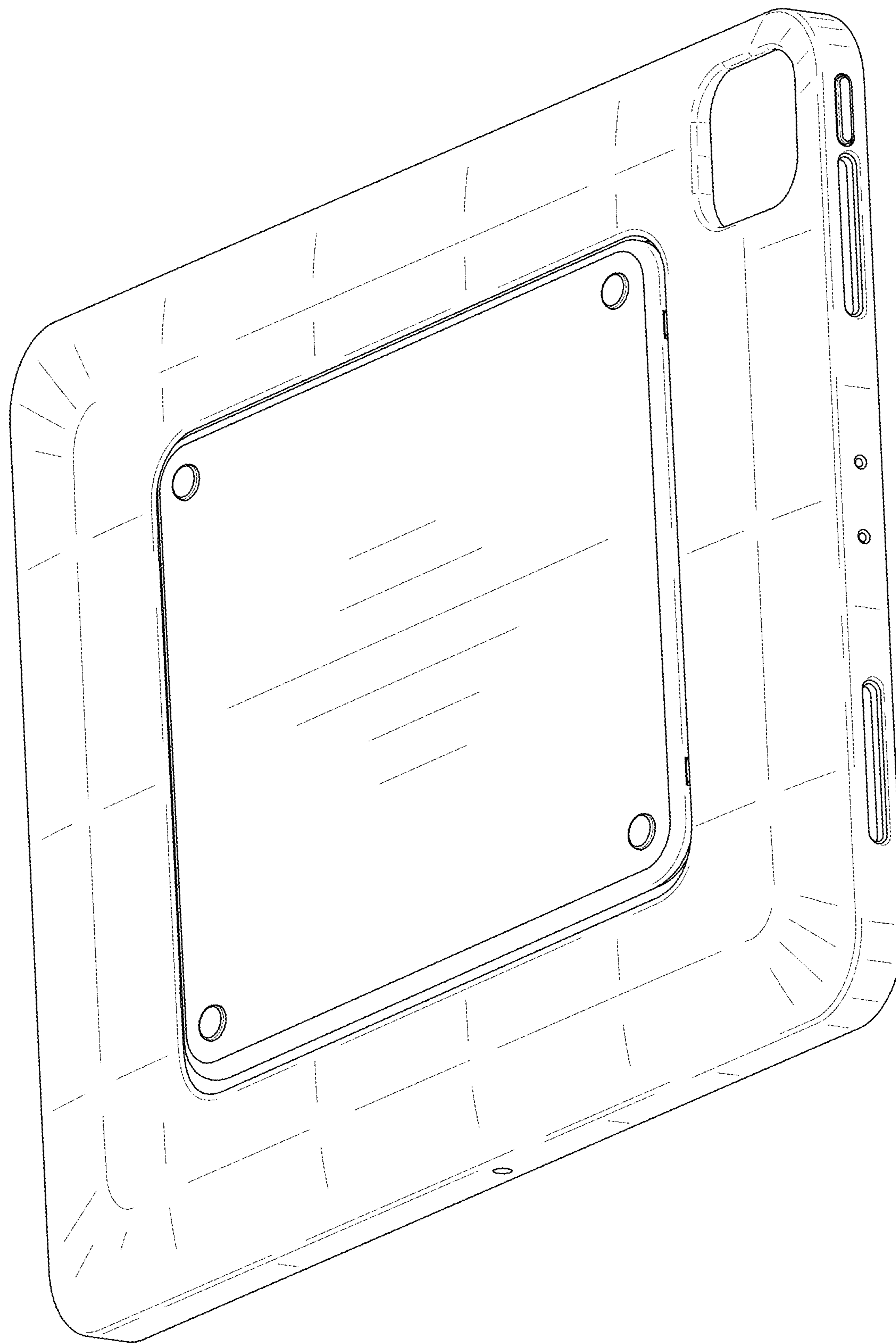


FIG. 11

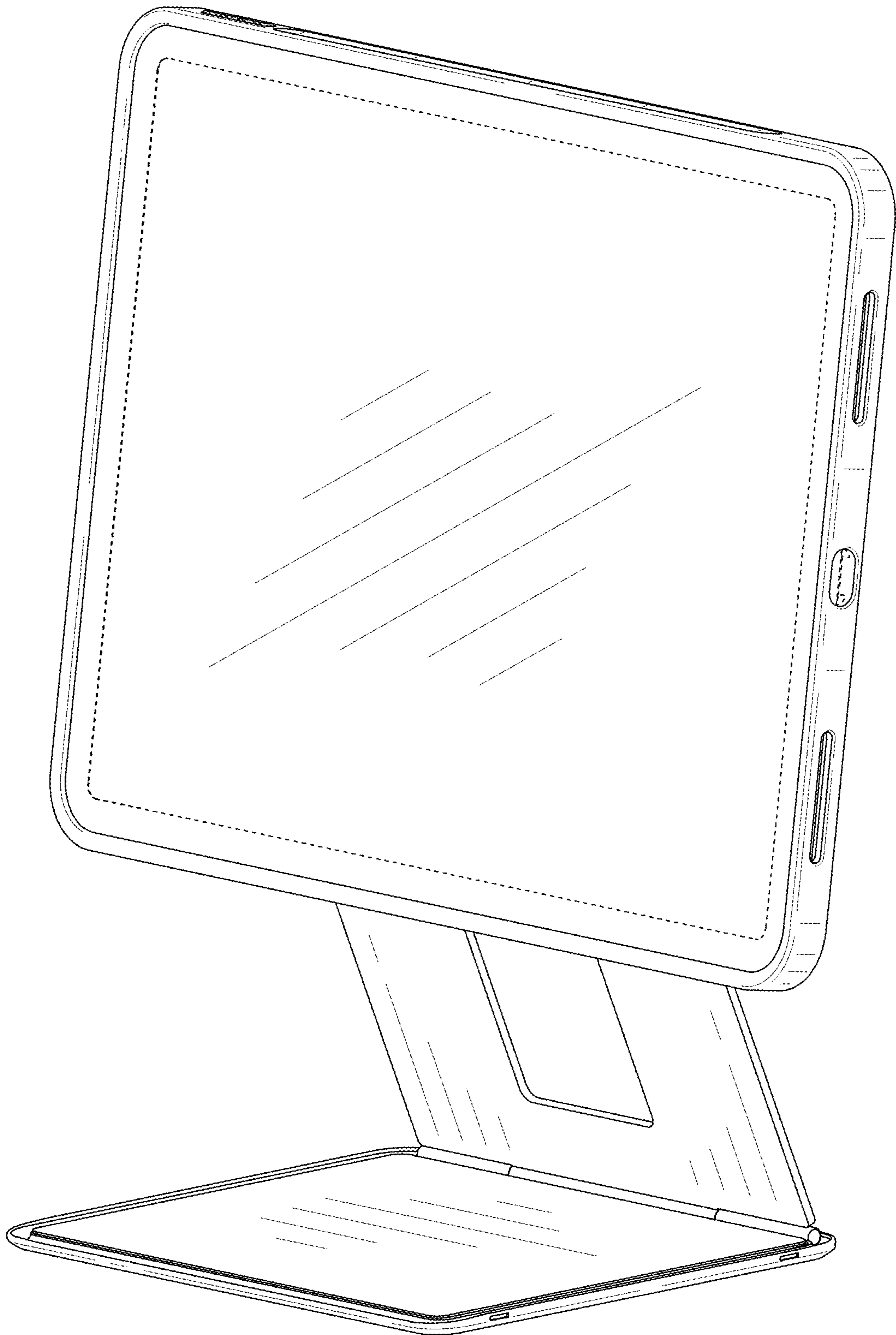


FIG. 12

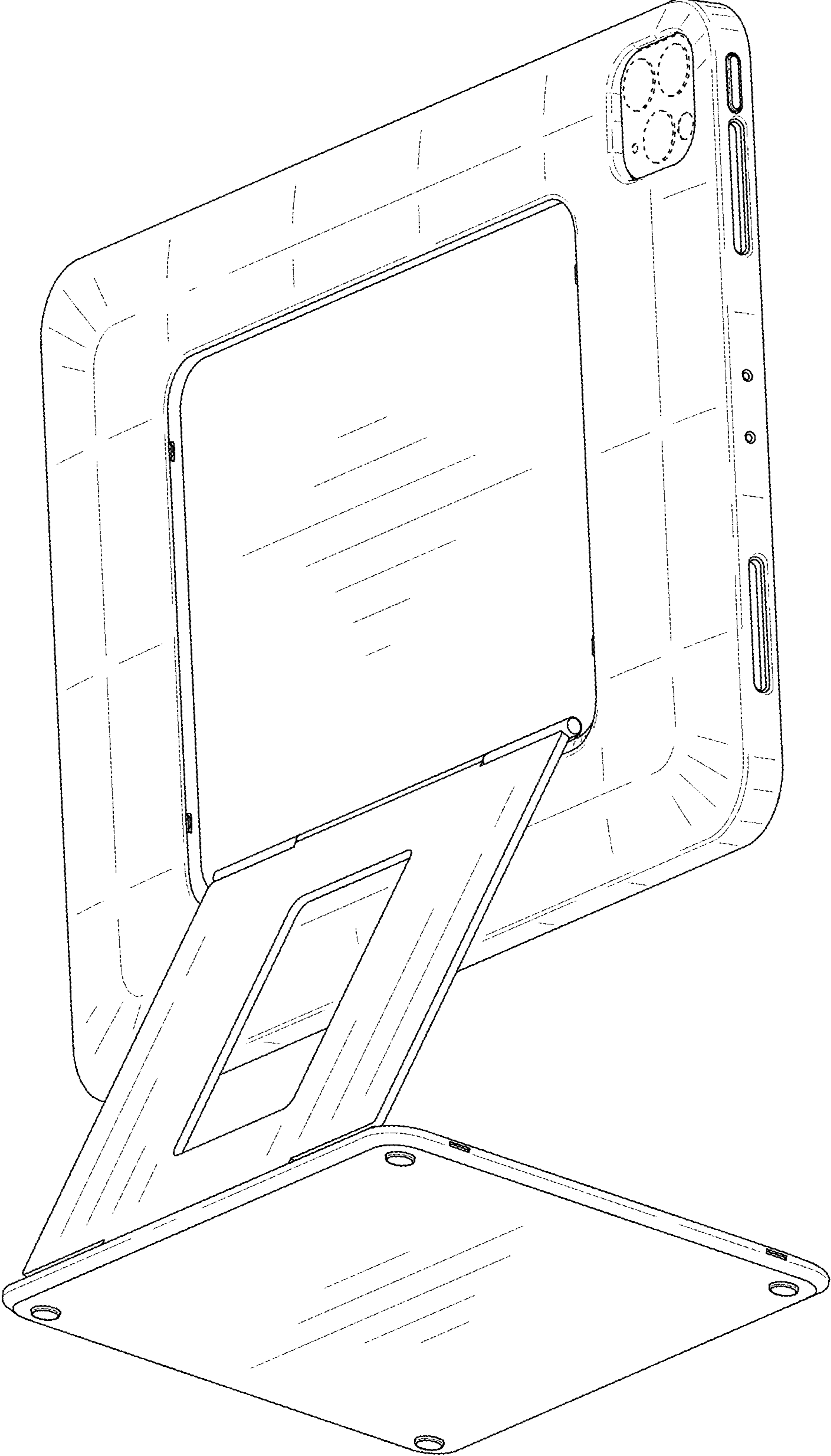


FIG. 13