



US00D987648S

(12) **United States Design Patent** (10) **Patent No.:** **US D987,648 S**
Mecchella et al. (45) **Date of Patent:** **** *May 30, 2023**

(54) **ELECTRONIC DEVICE COVER**

(56) **References Cited**

(71) Applicant: **Amazon Technologies, Inc.**, Seattle, WA (US)

U.S. PATENT DOCUMENTS

(72) Inventors: **Monica Liane Mecchella**, San Francisco, CA (US); **Jesse Wheeler Moore**, Oakland, CA (US)

4,270,232 A *	6/1981	Ballew	B65D 88/36 126/566
D378,332 S *	3/1997	Simoni	D6/575
D414,976 S *	10/1999	Su	D6/596
7,337,565 B2	3/2008	Tsutsumi et al.	
D597,052 S	7/2009	Kim et al.	
D625,698 S	10/2010	Miyazaki et al.	
D626,528 S	11/2010	Park et al.	
D630,179 S	1/2011	Park et al.	
D634,314 S	3/2011	Fahrendorff et al.	
D649,144 S	11/2011	Fathollahi	
D669,457 S	10/2012	Li	
D673,159 S	12/2012	McCarthy et al.	
D675,210 S	1/2013	Kim	
D685,358 S	7/2013	Armstrong et al.	
D685,786 S	7/2013	Seoc et al.	
D690,292 S	9/2013	Bibla et al.	
D693,823 S	11/2013	Chen et al.	

(73) Assignee: **Amazon Technologies, Inc.**, Seattle, WA (US)

(*) Notice: This patent is subject to a terminal disclaimer.

(**) Term: **15 Years**

(21) Appl. No.: **29/818,416**

(22) Filed: **Dec. 8, 2021**

(Continued)

Related U.S. Application Data

Primary Examiner — Cynthia R Underwood

(60) Division of application No. 29/776,966, filed on Apr. 1, 2021, now Pat. No. Des. 941,298, which is a division of application No. 29/679,884, filed on Feb. 11, 2019, now Pat. No. Des. 918,212, which is a continuation of application No. 29/575,211, filed on Aug. 23, 2016, now Pat. No. Des. 841,011.

(74) *Attorney, Agent, or Firm* — Lee & Hayes, P.C.

(51) **LOC (14) Cl.** **14-02**

(57) **CLAIM**

(52) **U.S. Cl.**
USPC **D14/440**

The ornamental design for an electronic device cover, as shown and described.

(58) **Field of Classification Search**

DESCRIPTION

USPC D14/440, 447, 250, 316; 361/679.55; 206/45.23, 320, 45.2; 294/25; 455/575.8; D3/289, 301, 283, 265, 243, D3/249, 294, 284, 274, 303, 266, 203.1, D3/315, 276

FIG. 1 is a front perspective view of an electronic device cover;

FIG. 2 is a back perspective view thereof;

FIG. 3 is a front view thereof;

FIG. 4 is a back view thereof;

FIG. 5 is top view thereof;

FIG. 6 is a bottom view thereof;

FIG. 7 is a cross-sectional view taken along the disclaimed line 7-7 shown in FIG. 3.

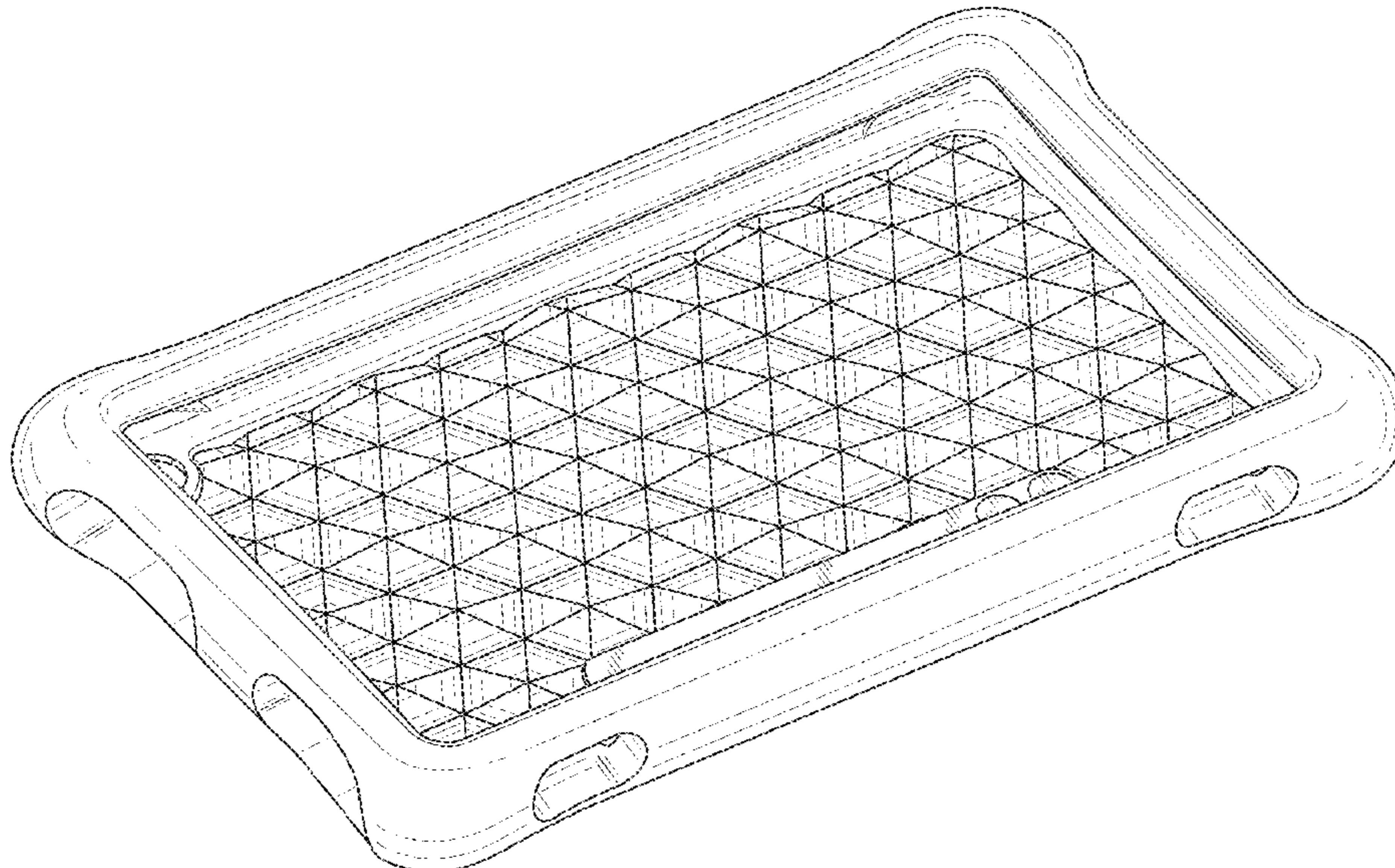
FIG. 8 is a left-side view thereof; and,

FIG. 9 is a right-side view thereof.

CPC ... G06F 1/1628; G06F 1/1626; A47B 23/044; A45C 11/00; A45C 13/02; H04B 1/3888

See application file for complete search history.

1 Claim, 6 Drawing Sheets



(56)

References Cited

U.S. PATENT DOCUMENTS

D704,685 S 5/2014 Yeh et al.
 D708,621 S 7/2014 Gifford et al.
 D713,847 S 9/2014 Su
 D715,785 S 10/2014 Jacob et al.
 D719,144 S 12/2014 Eulette
 D720,736 S 1/2015 Chen et al.
 D720,737 S 1/2015 Chen et al.
 D721,686 S * 1/2015 Jacob D14/250
 D729,811 S 5/2015 Alis
 D733,154 S 6/2015 Armstrong et al.
 D733,696 S 7/2015 Burgett et al.
 D742,869 S 11/2015 Odhwani et al.
 D766,885 S 9/2016 Armstrong et al.
 D768,123 S 10/2016 Armstrong et al.
 D770,458 S 11/2016 Corcoran et al.
 D772,234 S 11/2016 Massucco et al.
 D772,288 S 11/2016 Montes et al.
 D775,198 S 12/2016 Montes et al.
 D776,122 S 1/2017 Akana et al.
 D789,937 S * 6/2017 Zhang D14/440
 D794,626 S 8/2017 Armstrong et al.
 D795,880 S 8/2017 Akana et al.
 D804,486 S 12/2017 Nyholm et al.
 D806,082 S 12/2017 Armstrong et al.
 D806,713 S 1/2018 Wright et al.
 D811,410 S * 2/2018 Burmester D14/440
 D813,573 S * 3/2018 Hannoosh D6/671
 D816,492 S * 5/2018 Reinhart D9/435
 D819,644 S 6/2018 Wright et al.
 D825,571 S 8/2018 Shannon, III
 D832,269 S 10/2018 Cheng
 D832,271 S 10/2018 Cheng
 D834,051 S * 11/2018 Baldi D14/486
 D834,094 S * 11/2018 Pouliot D21/334
 D834,582 S 11/2018 Zhuang
 10,148,307 B2 12/2018 Shannon, III
 D841,655 S 2/2019 Xie
 D843,377 S 3/2019 Tang
 D844,621 S 4/2019 Chen
 D850,454 S * 6/2019 Kim D14/440
 D851,648 S * 6/2019 Tan D14/440

D852,203 S 6/2019 Rui
 D861,665 S 10/2019 Li
 D868,071 S 11/2019 Liu
 D868,788 S 12/2019 Weng
 D868,789 S 12/2019 Weng
 D868,791 S 12/2019 Weng
 D872,093 S 1/2020 Xu
 D874,467 S 2/2020 Piper et al.
 D875,089 S 2/2020 Hemesath et al.
 D879,790 S 3/2020 Donachy et al.
 D885,399 S 5/2020 Chen
 D885,402 S 5/2020 Lei
 D888,063 S 6/2020 Chan et al.
 D892,803 S 8/2020 Armstrong et al.
 D892,805 S 8/2020 Piper et al.
 D896,804 S * 9/2020 Lin D14/250
 D897,349 S * 9/2020 Li D14/440
 D898,747 S * 10/2020 Deng D14/440
 D901,475 S * 11/2020 Armstrong D14/250
 D906,334 S * 12/2020 Du D14/440
 D906,341 S 12/2020 Jiao
 D920,336 S 5/2021 Cheng
 D921,638 S 6/2021 Li
 D922,392 S 6/2021 Chan et al.
 D928,166 S * 8/2021 Hu D14/440
 D943,316 S * 2/2022 Hu D6/656.16
 D954,695 S * 6/2022 Deng D14/250
 D955,794 S * 6/2022 Hu D6/707.23
 D960,892 S * 8/2022 Zhang D14/440
 D964,373 S * 9/2022 Zhou D14/440
 D964,998 S * 9/2022 Troedson D14/440
 D965,599 S * 10/2022 Piper D14/440
 2003/0003956 A1 1/2003 Maenpaa et al.
 2010/0089779 A1 4/2010 Bowers
 2011/0297566 A1 12/2011 Gallagher et al.
 2012/0170212 A1 7/2012 Gallouzi et al.
 2012/0261289 A1 10/2012 Wyner et al.
 2013/0222139 A1 8/2013 Gouge et al.
 2017/0350125 A1 * 12/2017 De Cauwer E04C 2/288
 2019/0142992 A1 5/2019 Davidson et al.
 2019/0144163 A1 5/2019 Lim
 2019/0149808 A1 5/2019 Ng et al.
 2019/0275714 A1 9/2019 Kanoh

* cited by examiner

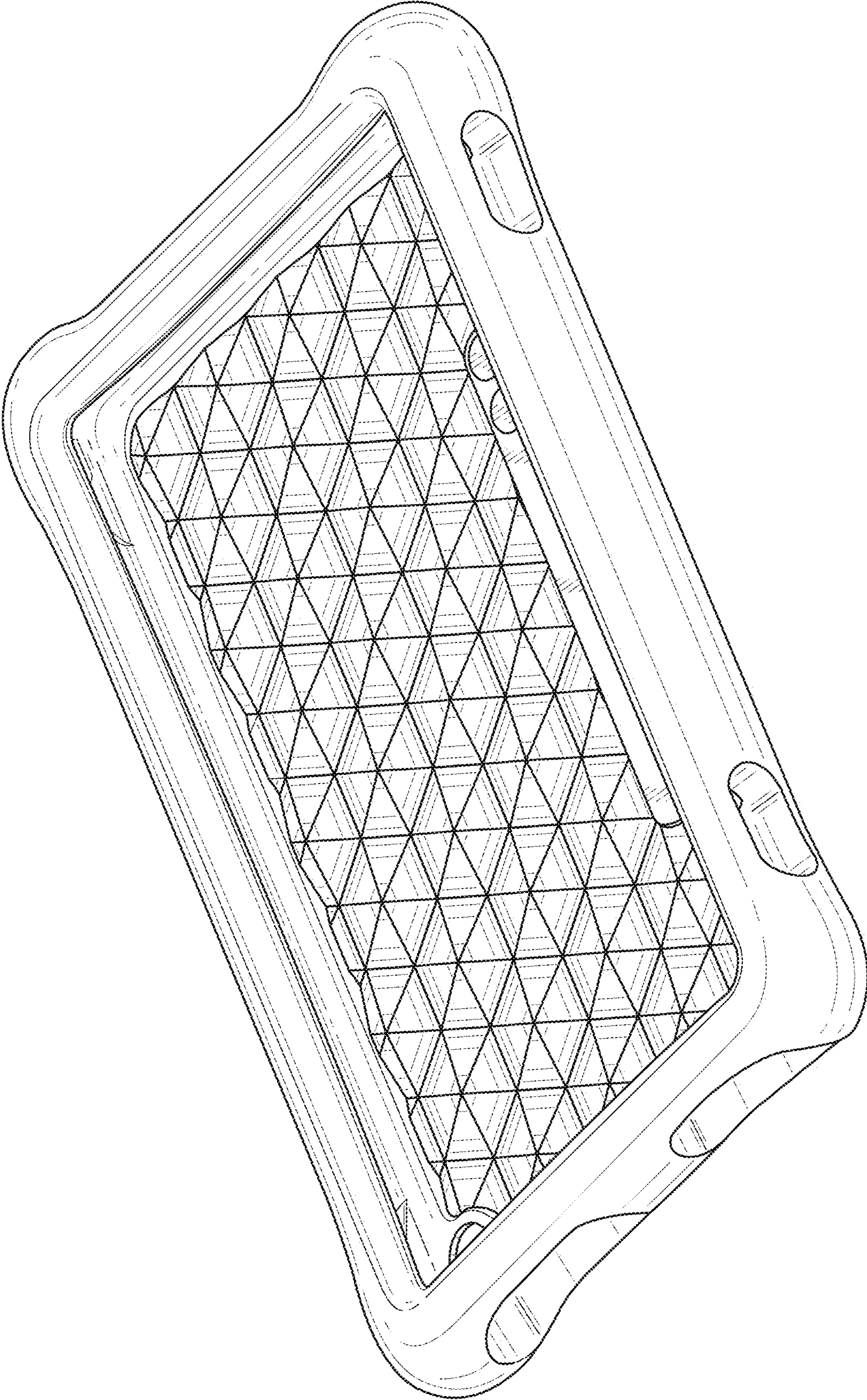


FIG. 1

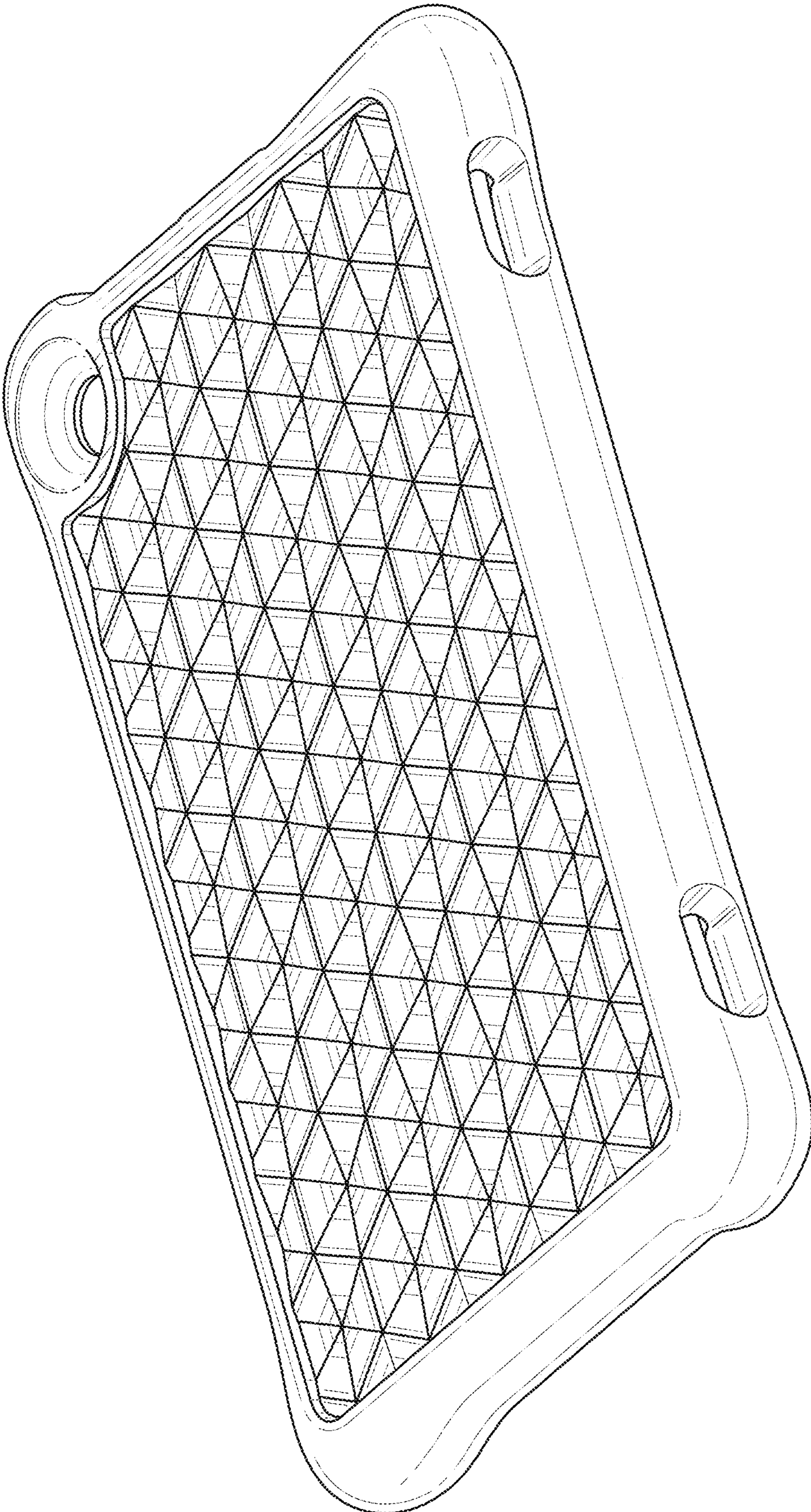


FIG. 2

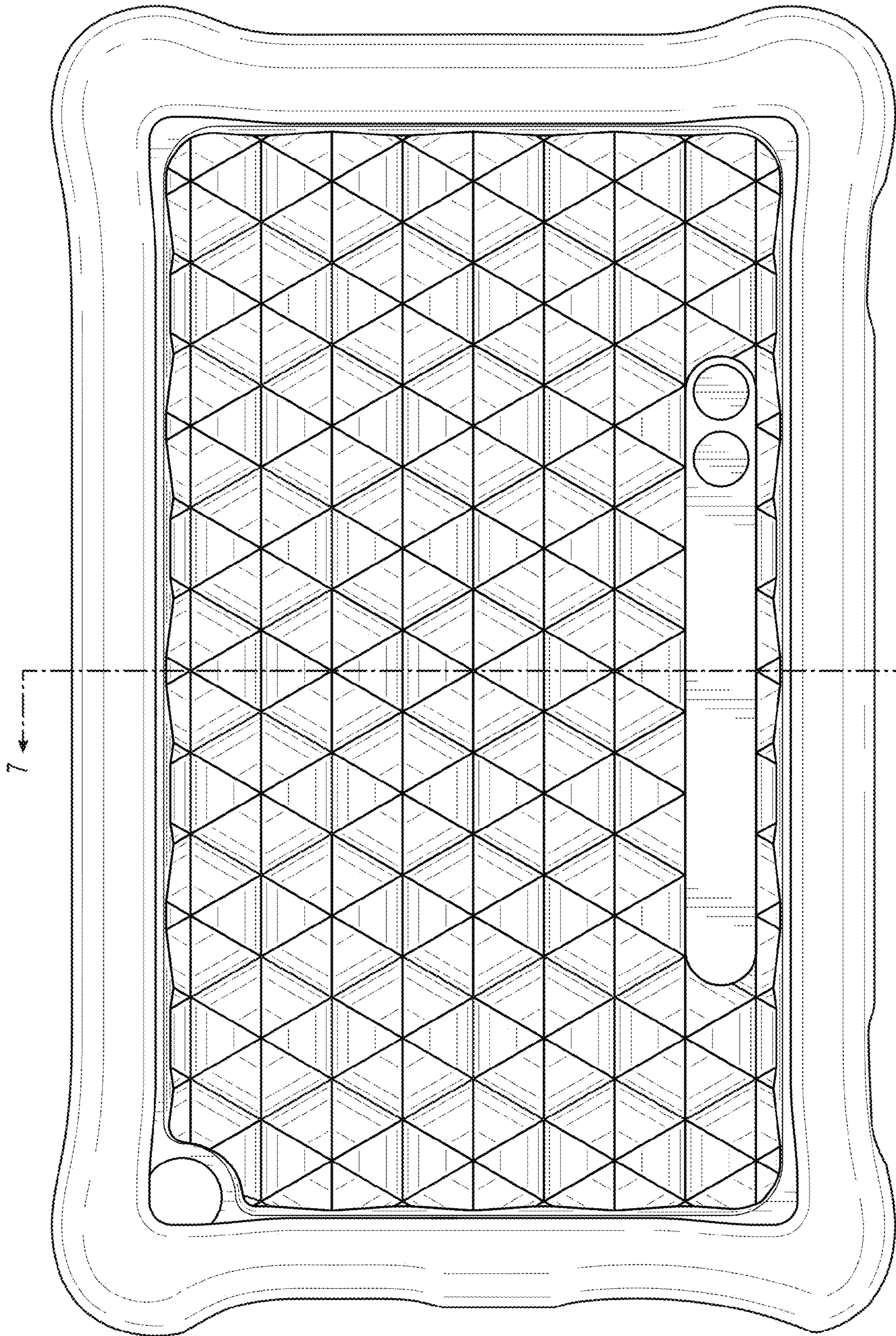


FIG. 3

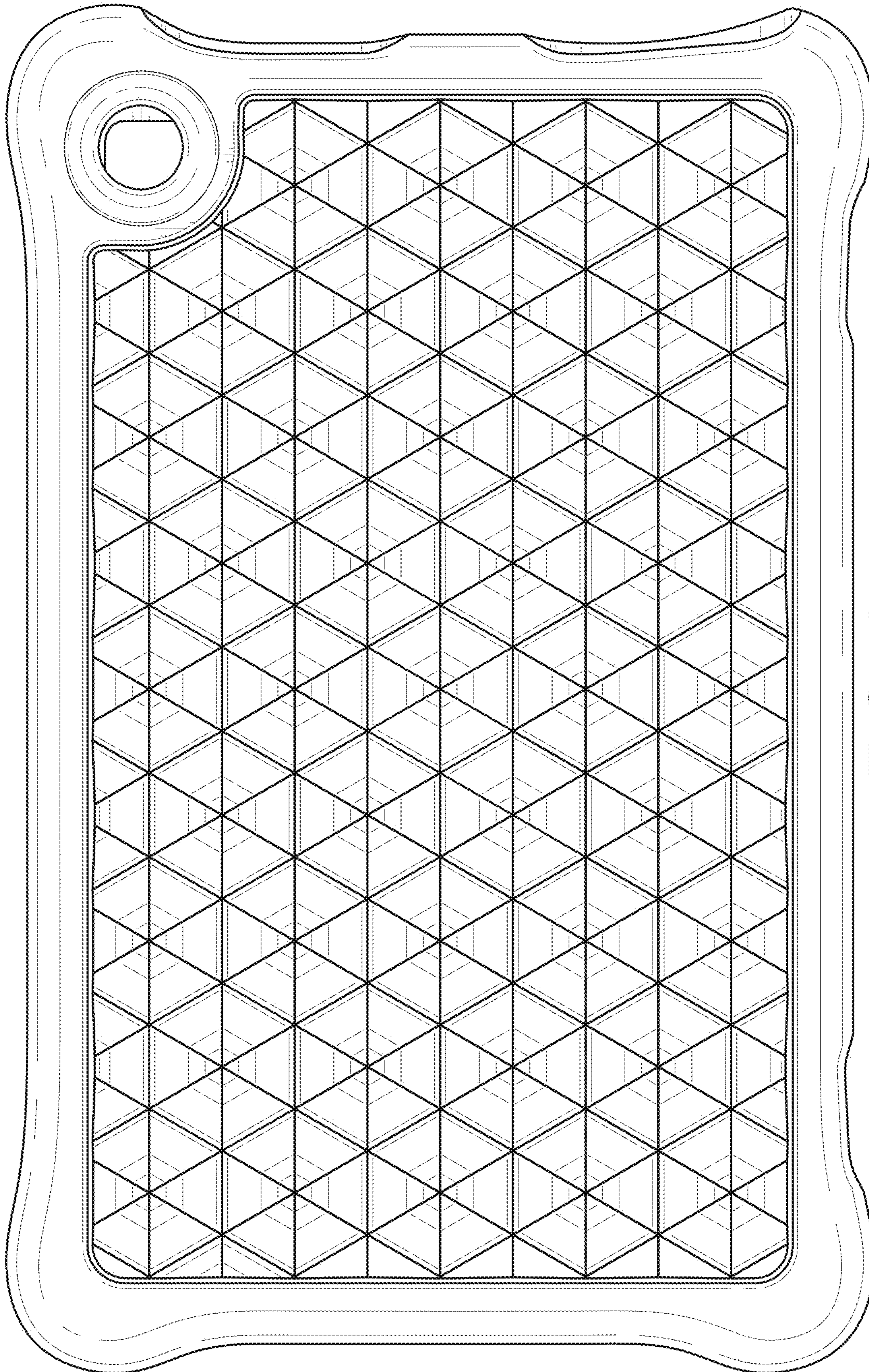


FIG. 4

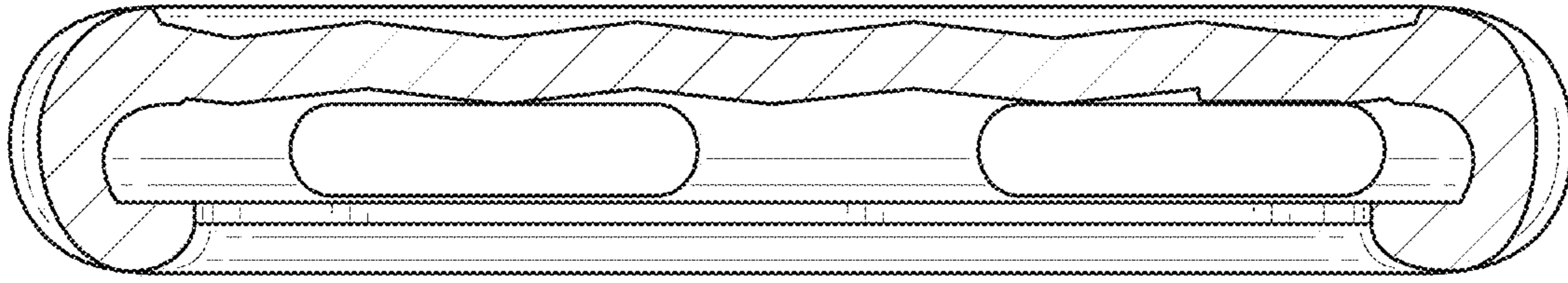


FIG. 5

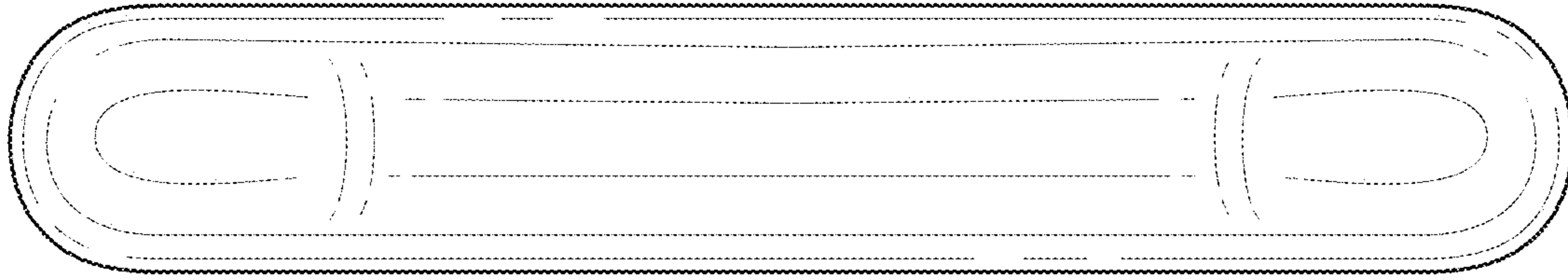


FIG. 6

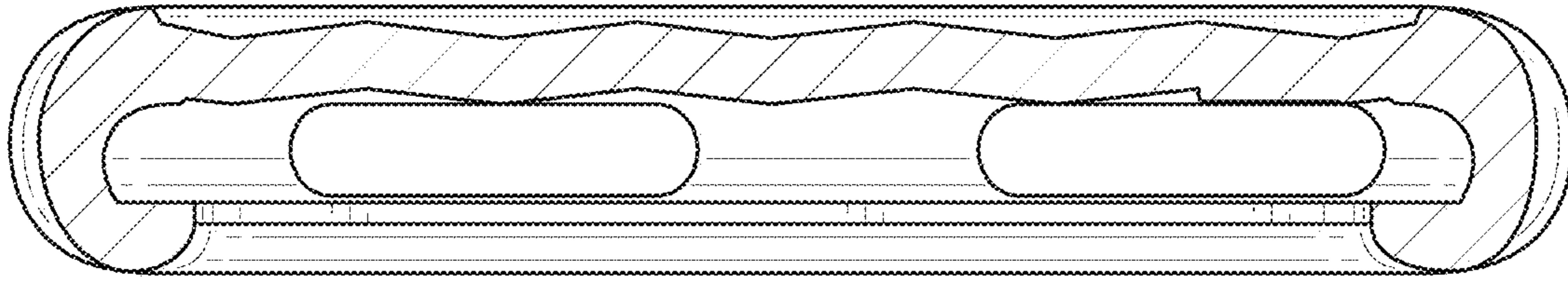


FIG. 7

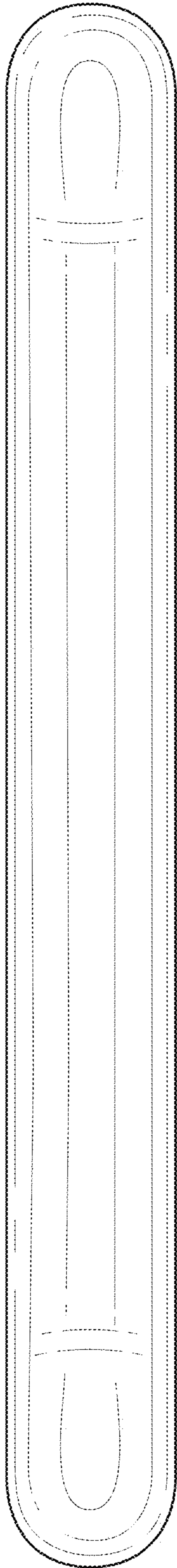


FIG. 8

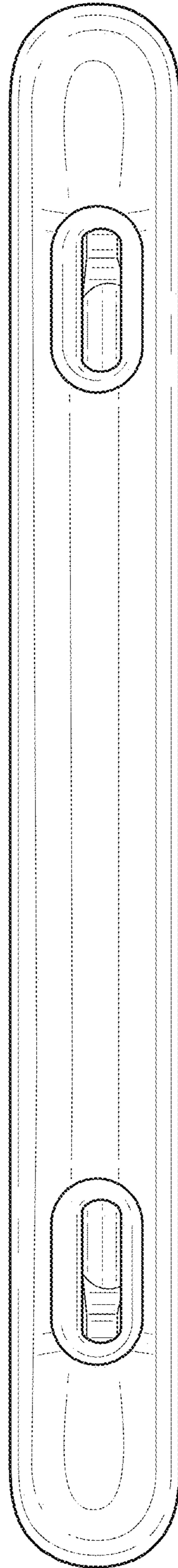


FIG. 9