



US00D987641S

(12) **United States Design Patent** (10) **Patent No.:** **US D987,641 S**  
**Paterson et al.** (45) **Date of Patent:** **\*\* May 30, 2023**

(54) **DOCKING STATION**

(56) **References Cited**

(71) Applicant: **Amazon Technologies, Inc.**, Seattle, WA (US)

U.S. PATENT DOCUMENTS

(72) Inventors: **Michael Edward James Paterson**, Lafayette, CA (US); **Hong-Bin Koh**, New Taipei (TW); **Oleksii Krasnoshchok**, Kiev (UA); **James Siminoff**, Pacific Palisades, CA (US)

D518,023 S *	3/2006	Miller .....	D14/204
D598,005 S *	8/2009	Amano .....	D14/209.1
D624,541 S *	9/2010	Kemery .....	D14/240
D857,678 S *	8/2019	Vardi .....	D14/242
D872,054 S *	1/2020	Meredith .....	D14/214
D929,358 S *	8/2021	Peled .....	D10/53

\* cited by examiner

(73) Assignee: **Amazon Technologies, Inc.**, Seattle, WA (US)

*Primary Examiner* — Khawaja Anwar

*Assistant Examiner* — Megan Tiana Rakos

(\*\*) Term: **15 Years**

(74) *Attorney, Agent, or Firm* — Lee & Hayes, P.C.

(21) Appl. No.: **29/809,275**

(57) **CLAIM**

The ornamental design for a docking station, as shown and described.

(22) Filed: **Sep. 27, 2021**

**DESCRIPTION**

(51) **LOC (14) Cl.** ..... **14-02**

FIG. 1 is a top, front, right-side perspective view of a docking station;

(52) **U.S. Cl.**

FIG. 2 is a back, bottom, left-side perspective view thereof;

USPC ..... **D14/434**

FIG. 3 is a front view thereof;

(58) **Field of Classification Search**

FIG. 4 is a back view thereof;

USPC ..... D14/125, 140, 149, 167, 168, 171, 188, D14/204, 203.1, 203.3, 203.7, 210, 211, D14/214, 215, 217, 218, 240, 242, 300, D14/434, 435, 496, 506, 507; D13/108, D13/162

FIG. 5 is a left-side view thereof;

FIG. 6 is a right-side view thereof;

FIG. 7 is a top view thereof; and,

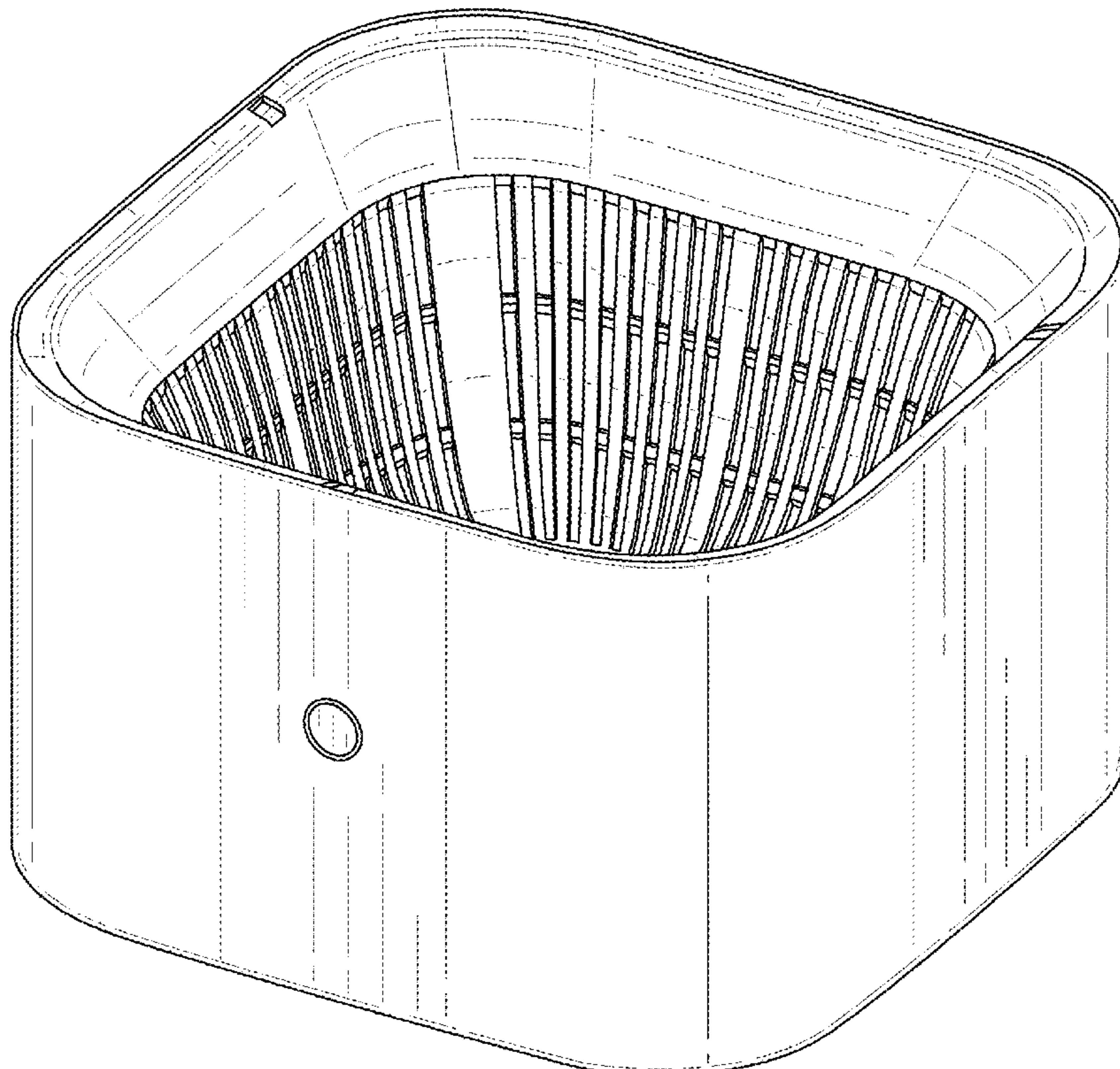
FIG. 8 is a bottom view thereof.

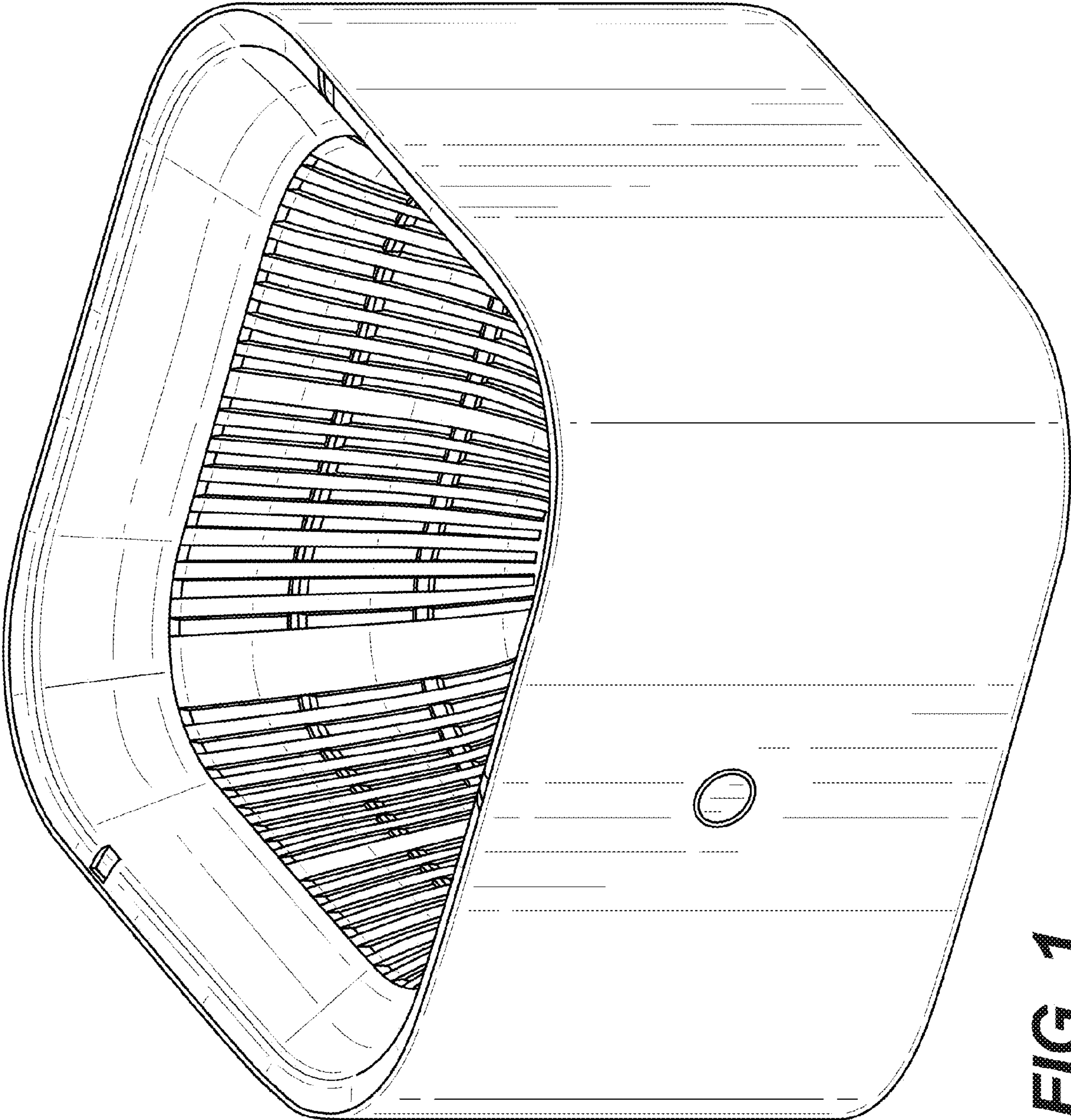
CPC .. H04R 5/02; H04R 5/642; H02J 7/025; H02J 7/0042; H02J 7/0044

The dashed broken lines depict portions of the docking station that form no part of the claimed design.

See application file for complete search history.

**1 Claim, 8 Drawing Sheets**





**FIG. 1**



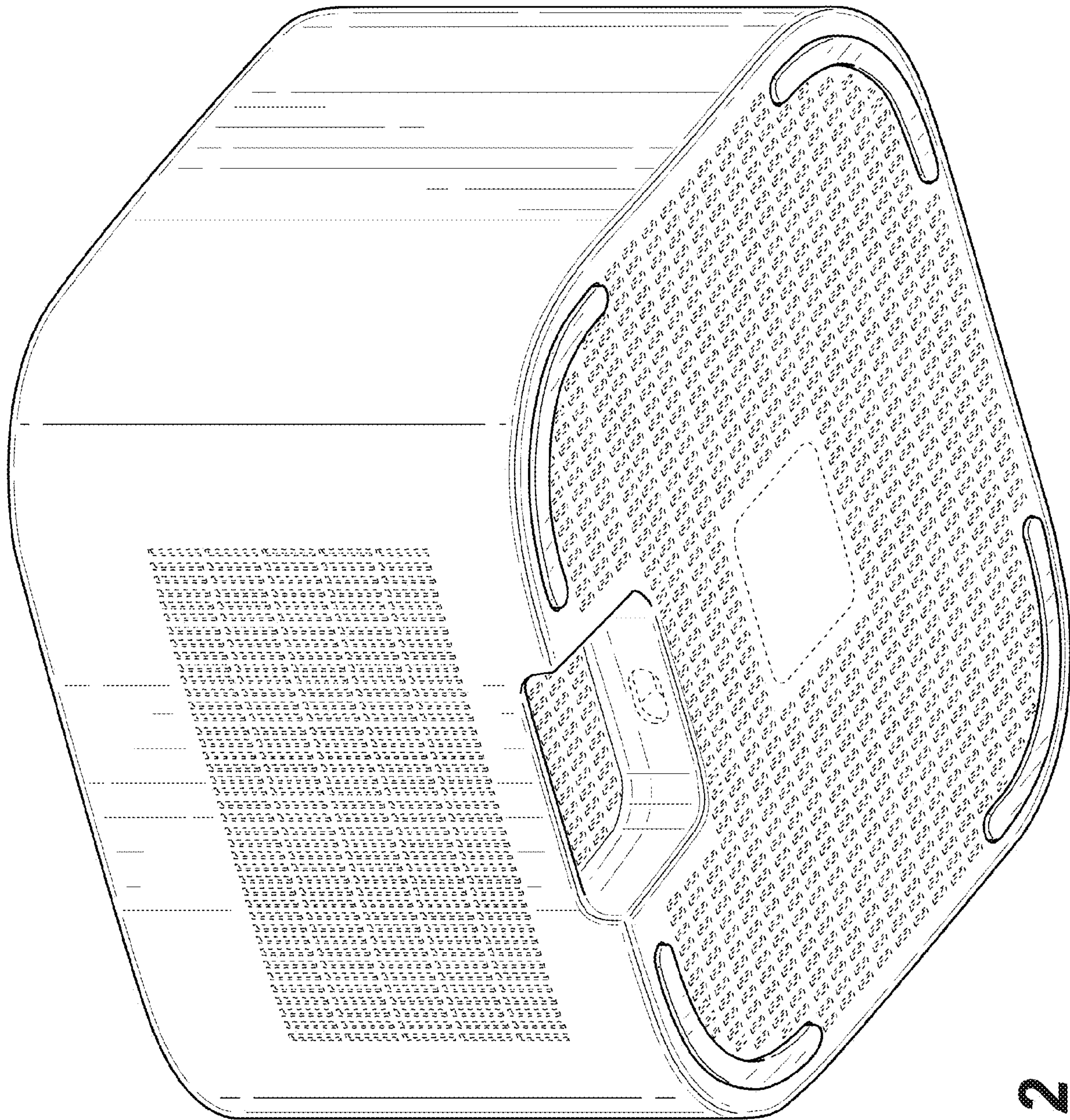
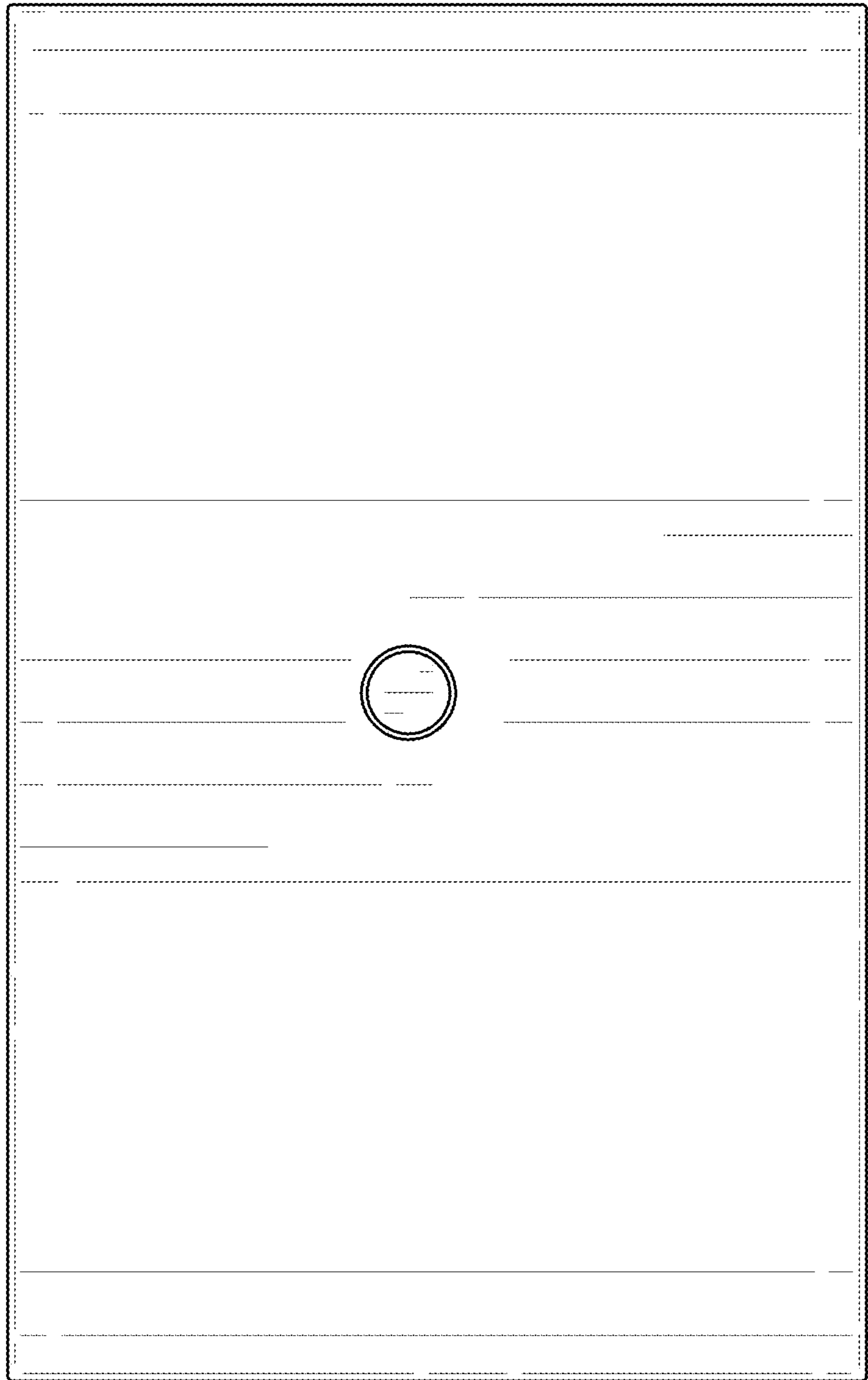
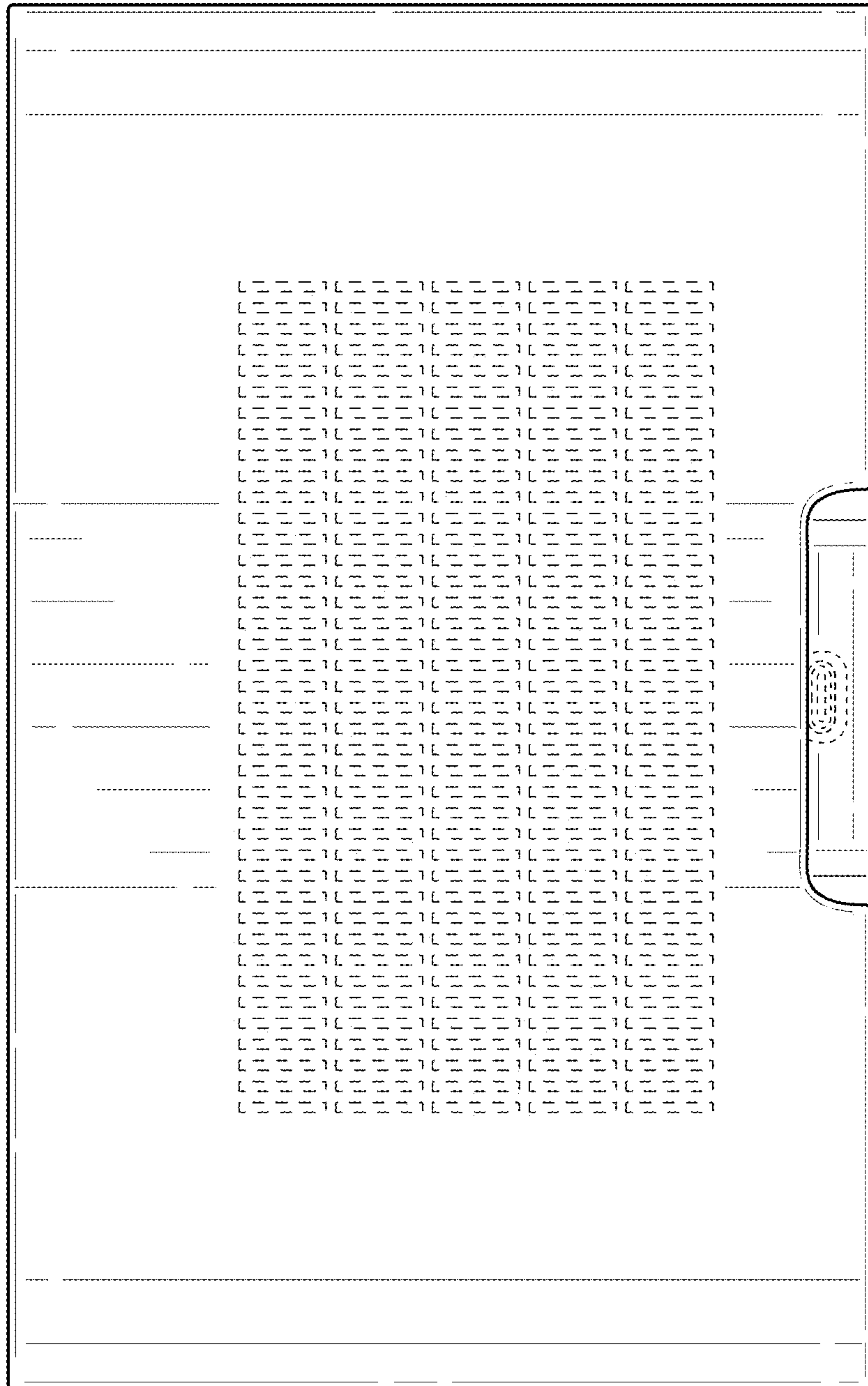


FIG. 2



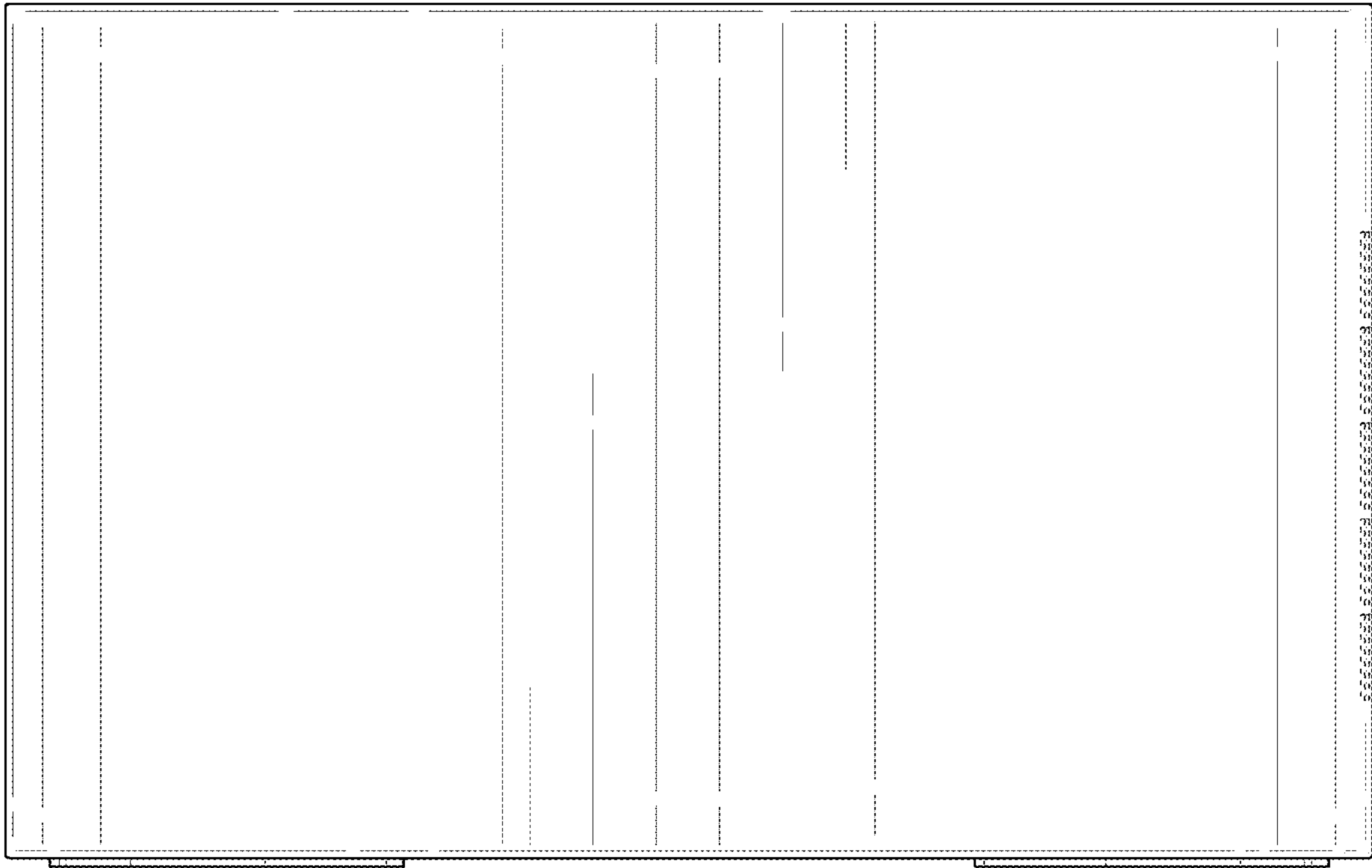
**FIG. 3**



**FIG. 4**



**FIG. 5**



**FIG. 6**



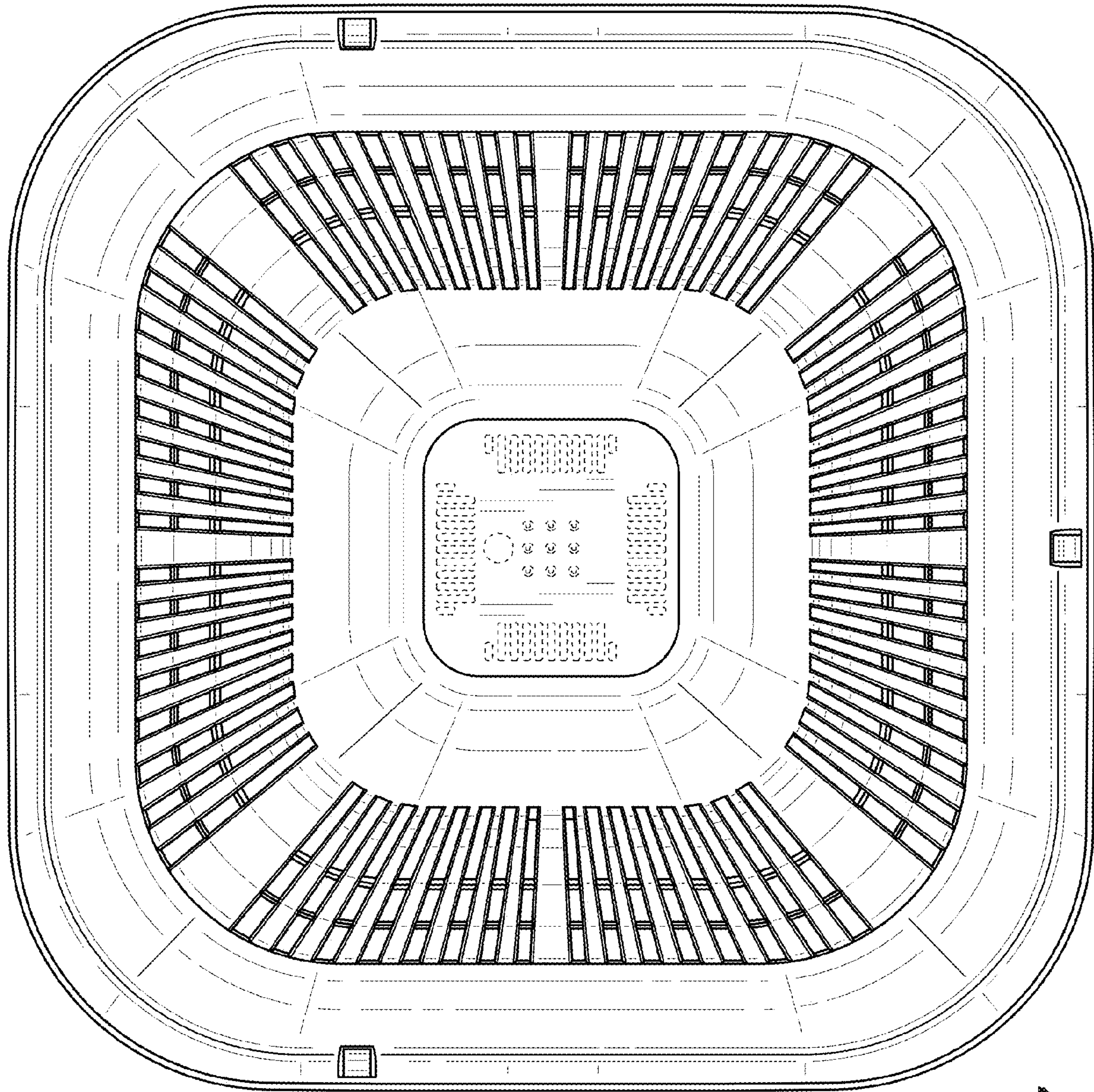


FIG. 7



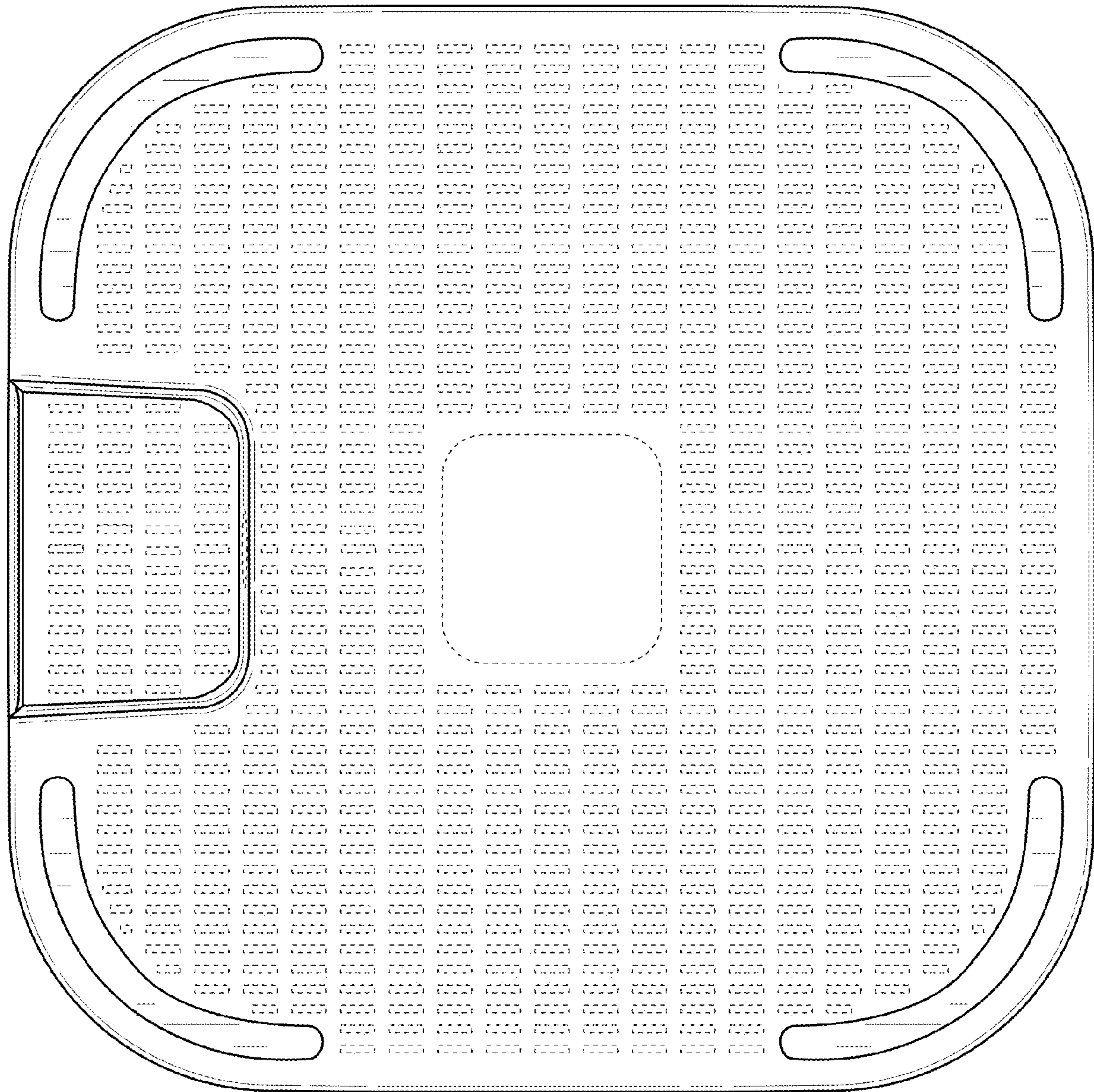


FIG. 8