



US00D987640S

(12) **United States Design Patent** (10) **Patent No.:** **US D987,640 S**
Cinar et al. (45) **Date of Patent:** **** May 30, 2023**

(54) **EXTENSION KIT FOR STORAGE DEVICE**

(71) Applicant: **SAMSUNG ELECTRONICS CO., LTD.**, Suwon-si (KR)

(72) Inventors: **Yusuf Cinar**, Yongin-si (KR); **Han Hong Lee**, Seoul (KR); **Seon Gyun Baek**, Suwon-si (KR)

(73) Assignee: **SAMSUNG ELECTRONICS CO., LTD.**, Suwon-si (KR)

(**) Term: **15 Years**

(21) Appl. No.: **29/837,307**

(22) Filed: **May 4, 2022**

Related U.S. Application Data

(63) Continuation of application No. 17/329,900, filed on May 25, 2021.

(30) **Foreign Application Priority Data**

Dec. 10, 2020 (KR) 10-2020-0171953

(51) **LOC (14) Cl.** **14-02**

(52) **U.S. Cl.**
USPC **D14/433**

(58) **Field of Classification Search**

USPC D14/356, 432-434, 453, 454, 511, 203.8, D14/209.1, 238.1, 240, 125; 439/638, 439/928, 105, 502; 710/303, 304; 361/679.41, 679.55, 679.56; D13/110, D13/133, 146, 123, 162

CPC H05K 7/1417; H05K 5/0008; H05K 5/023; H05K 5/022; G06F 1/187; G06F 1/1658

See application file for complete search history.

(56) **References Cited**

U.S. PATENT DOCUMENTS

D327,879 S * 7/1992 Lou D14/433
D373,349 S * 9/1996 Millard D14/435

D483,372 S * 12/2003 Watanabe D13/133
8,054,635 B2 11/2011 Olesiewicz et al.
D685,373 S * 7/2013 Santos D14/432
D717,803 S * 11/2014 Takano D14/433
9,025,278 B1 5/2015 Chen et al.
9,135,957 B2 9/2015 Grobe et al.
D742,880 S * 11/2015 Linnemann D14/432
9,947,371 B1 4/2018 Hu et al.

(Continued)

FOREIGN PATENT DOCUMENTS

KR 10-1490499 B1 2/2015

OTHER PUBLICATIONS

Communication dated Feb. 9, 2022 issued by the European Patent Office in counterpart European Application No. 21 190 634.2.

(Continued)

Primary Examiner — Austin Murphy

(74) *Attorney, Agent, or Firm* — Sughrue Mion, PLLC

(57) **CLAIM**

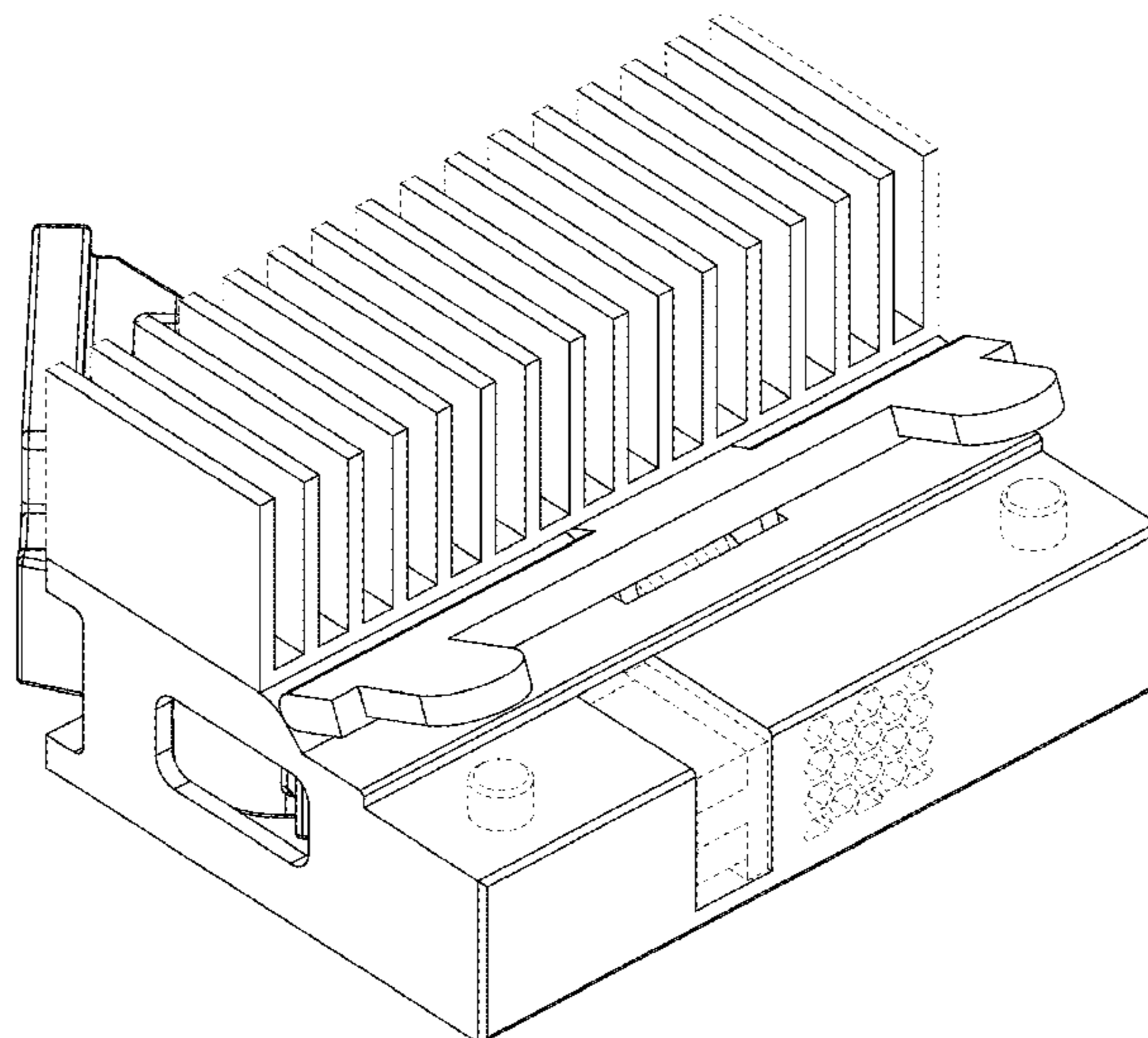
The ornamental design for an extension kit for storage device, as shown and described.

DESCRIPTION

FIG. 1 is a front perspective view of an extension kit for storage device showing our new design;
FIG. 2 is a front view thereof;
FIG. 3 is a rear view thereof;
FIG. 4 is a left-side view thereof;
FIG. 5 is a right-side view thereof;
FIG. 6 is a top plan view thereof;
FIG. 7 is a bottom plan view thereof; and,
FIG. 8 is a rear perspective view thereof.

The evenly dashed broken lines in the figures depict features of the extension kit for storage device that form no part of the claimed design.

1 Claim, 8 Drawing Sheets



(56)

References Cited

U.S. PATENT DOCUMENTS

10,008,791	B1	6/2018	Masumoto et al.	
10,185,686	B2	1/2019	Nguyen et al.	
10,192,589	B2	1/2019	Chen et al.	
10,674,621	B1	6/2020	Tsornng et al.	
D919,628	S *	5/2021	Ma	D14/433
D950,558	S *	5/2022	Yakushiji	D14/432
D975,023	S *	1/2023	Rosson	D14/433
2014/0218879	A1	8/2014	Yin et al.	
2018/0303489	A1	10/2018	Walzman	
2019/0108860	A1	4/2019	Han et al.	
2020/0229317	A1	7/2020	Martinez Araiza et al.	

OTHER PUBLICATIONS

Communication dated Jan. 28, 2022 issued by the European Patent Office in counterpart European Application No. 21190634.2.

* cited by examiner

FIG. 1

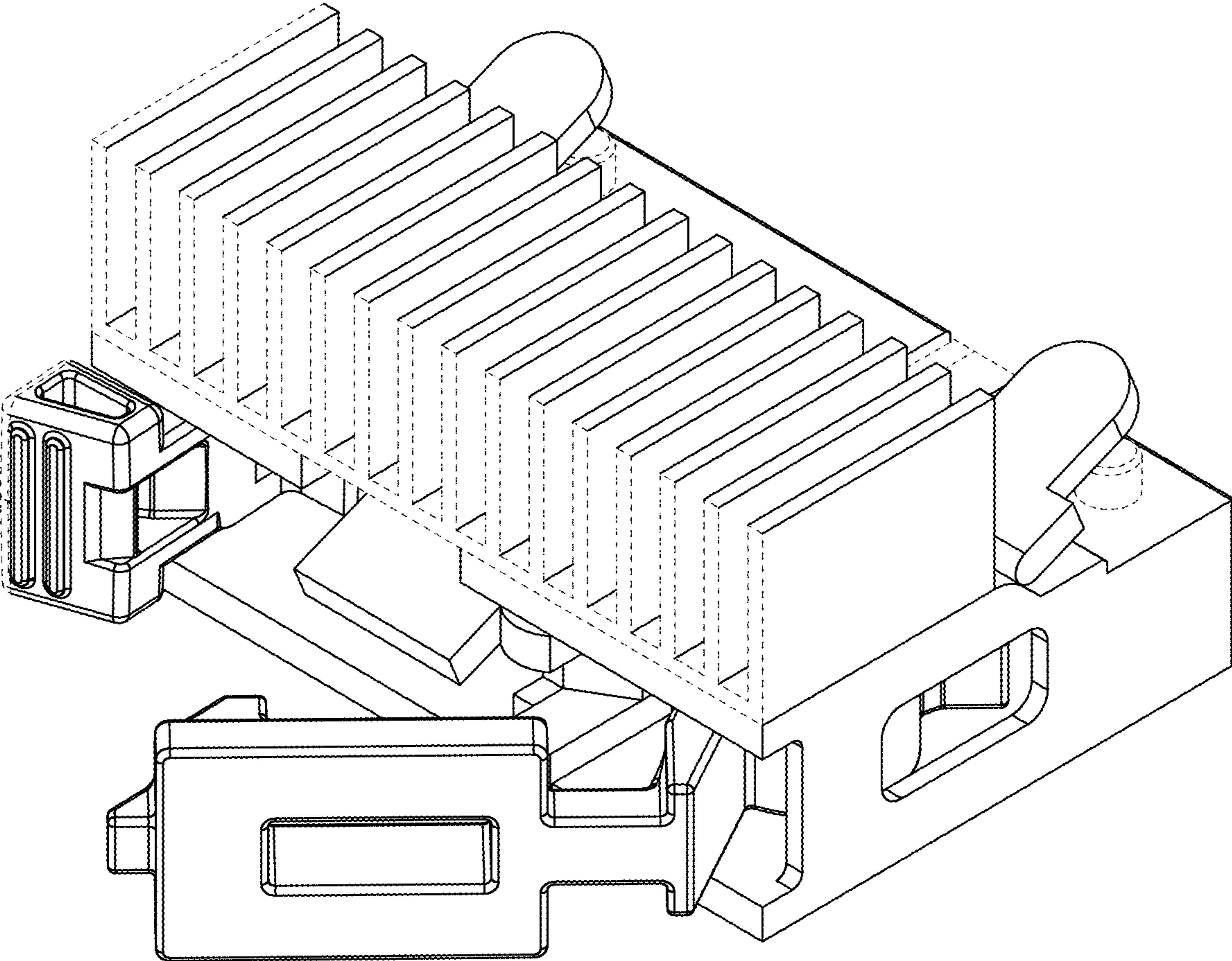


FIG. 2

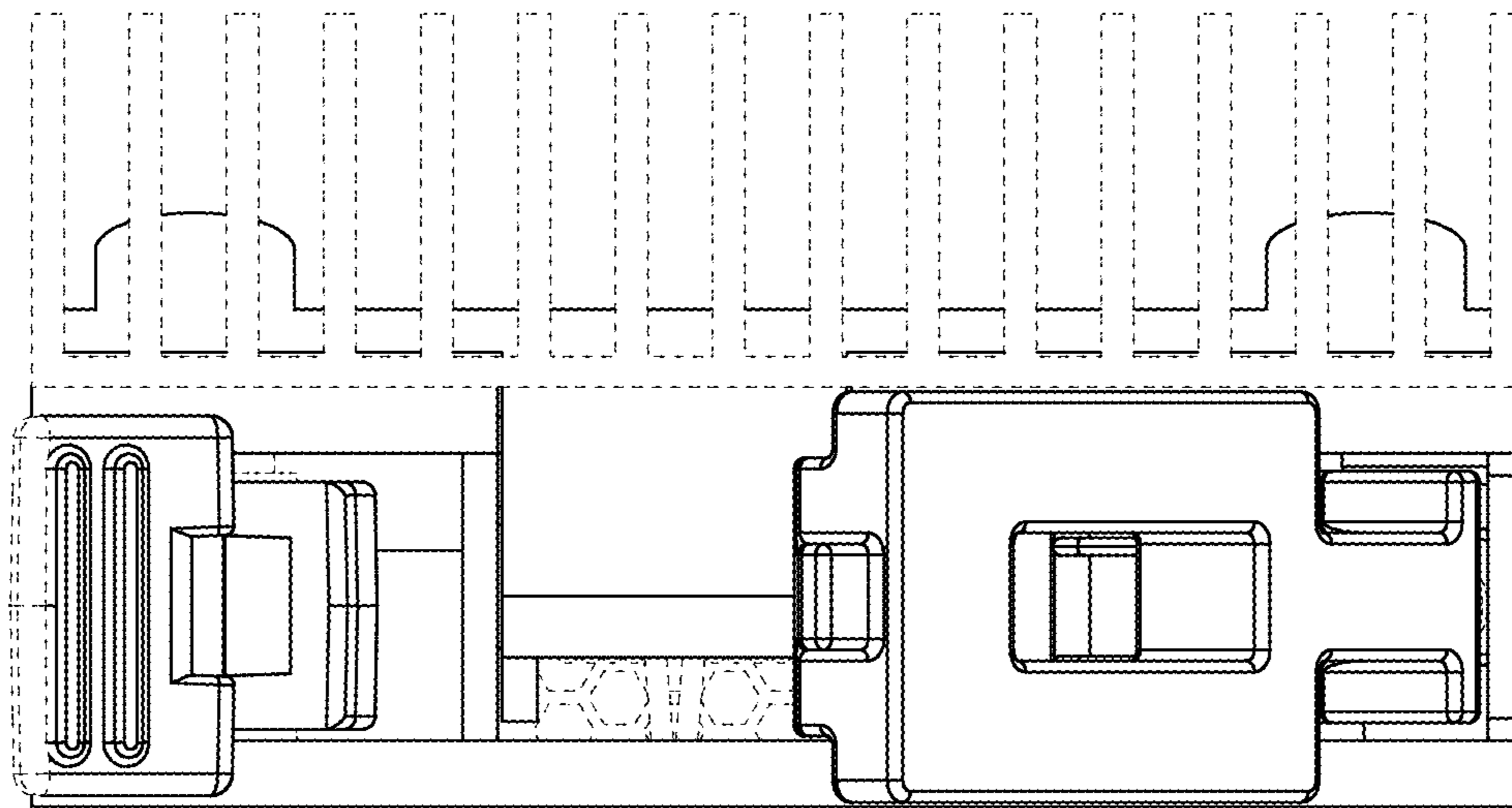


FIG. 3

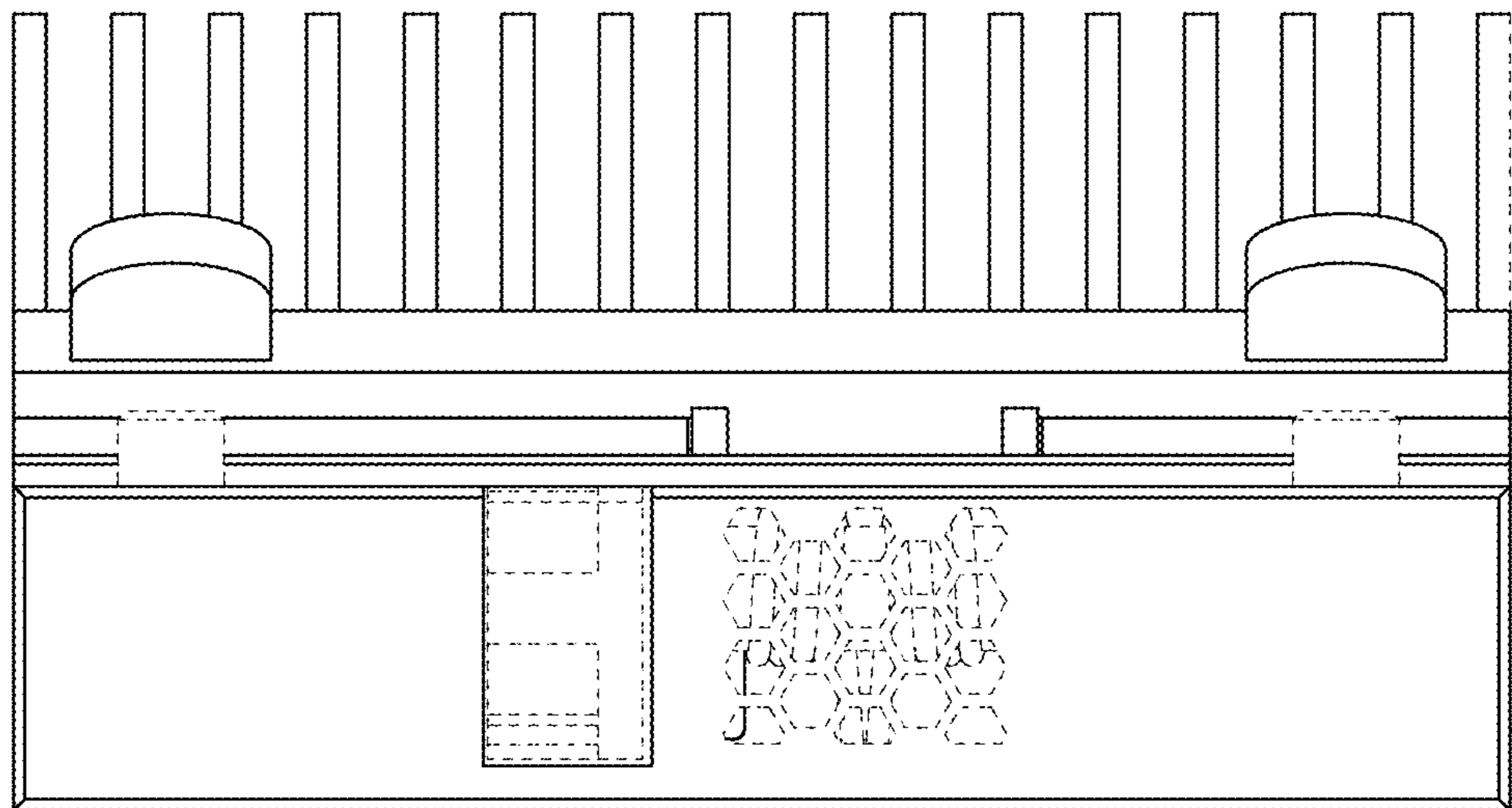


FIG. 4

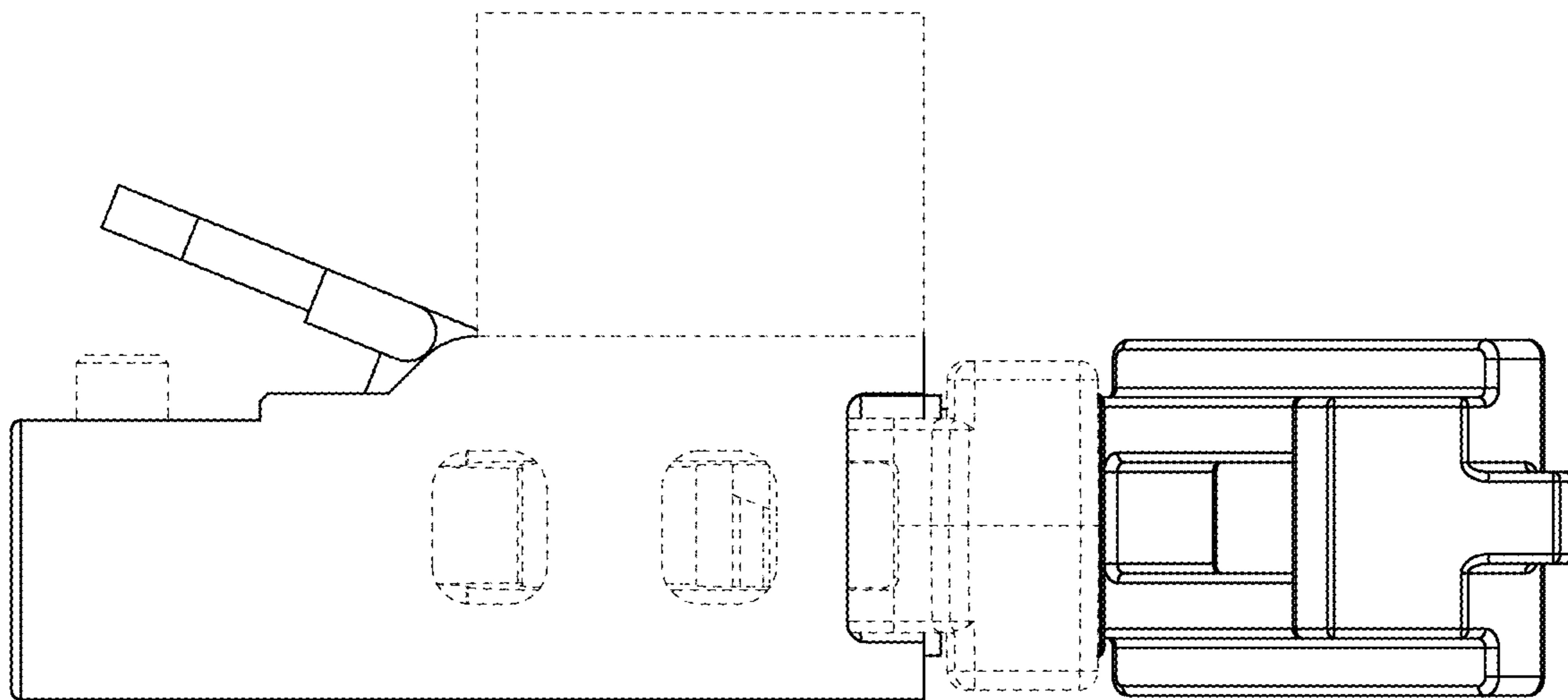


FIG. 5

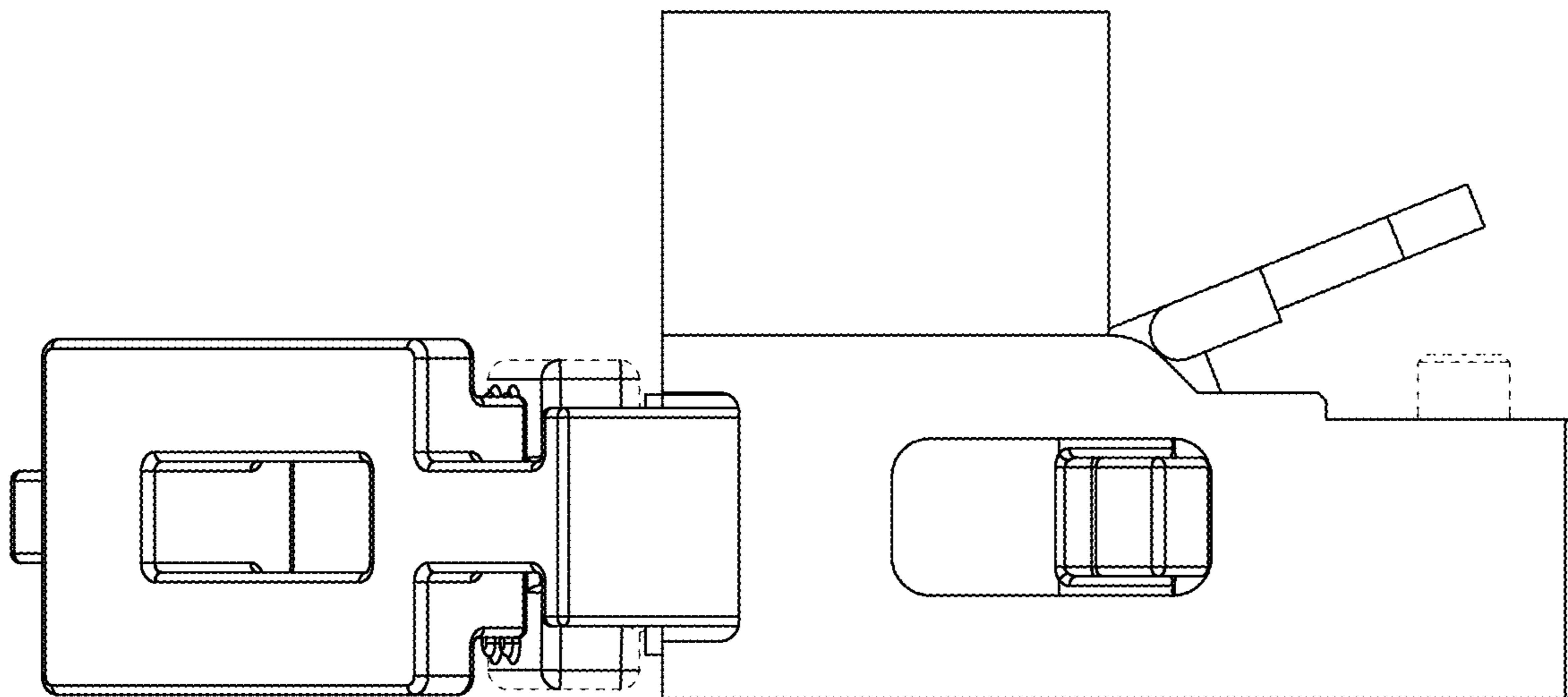


FIG. 6

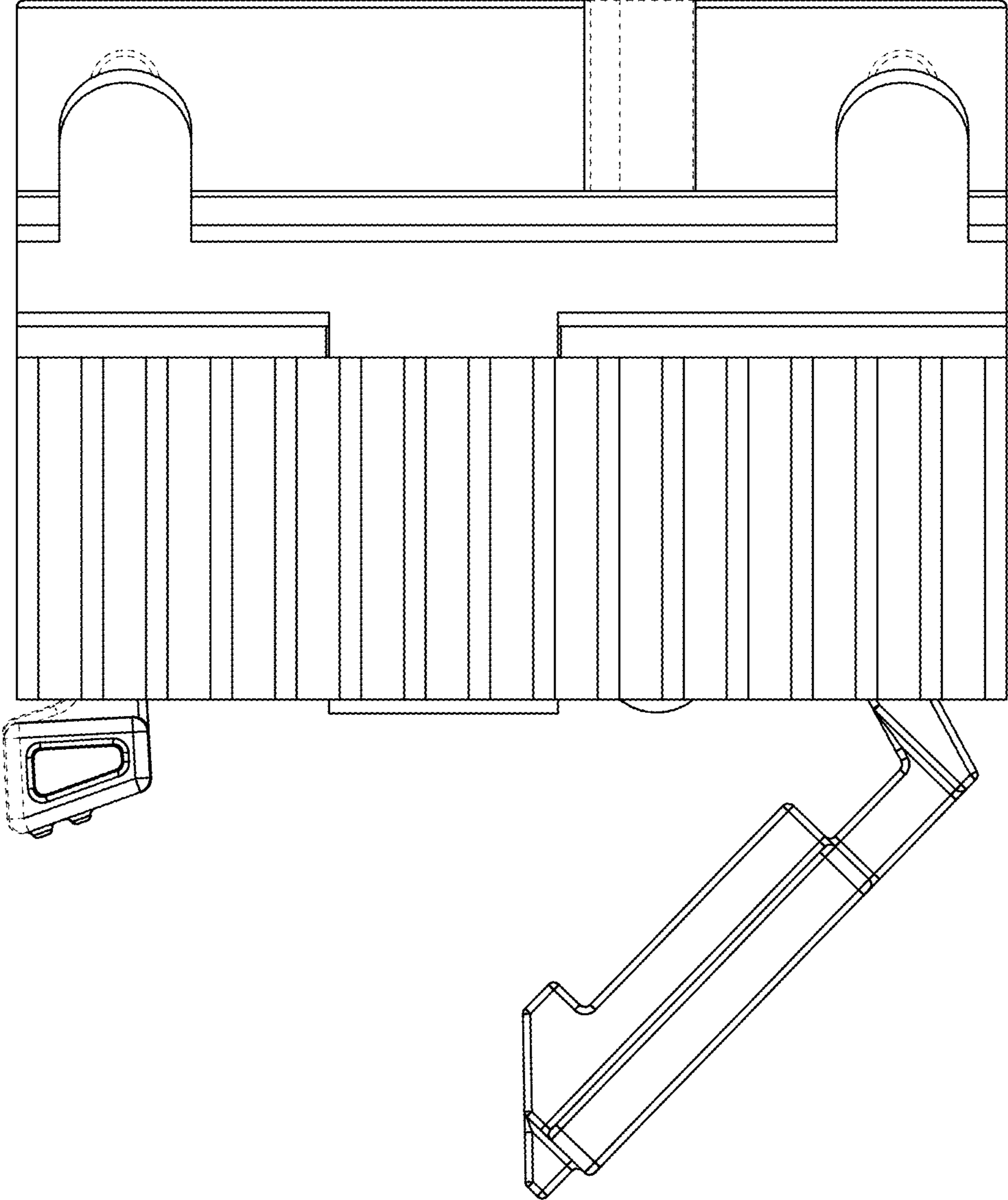


FIG. 7

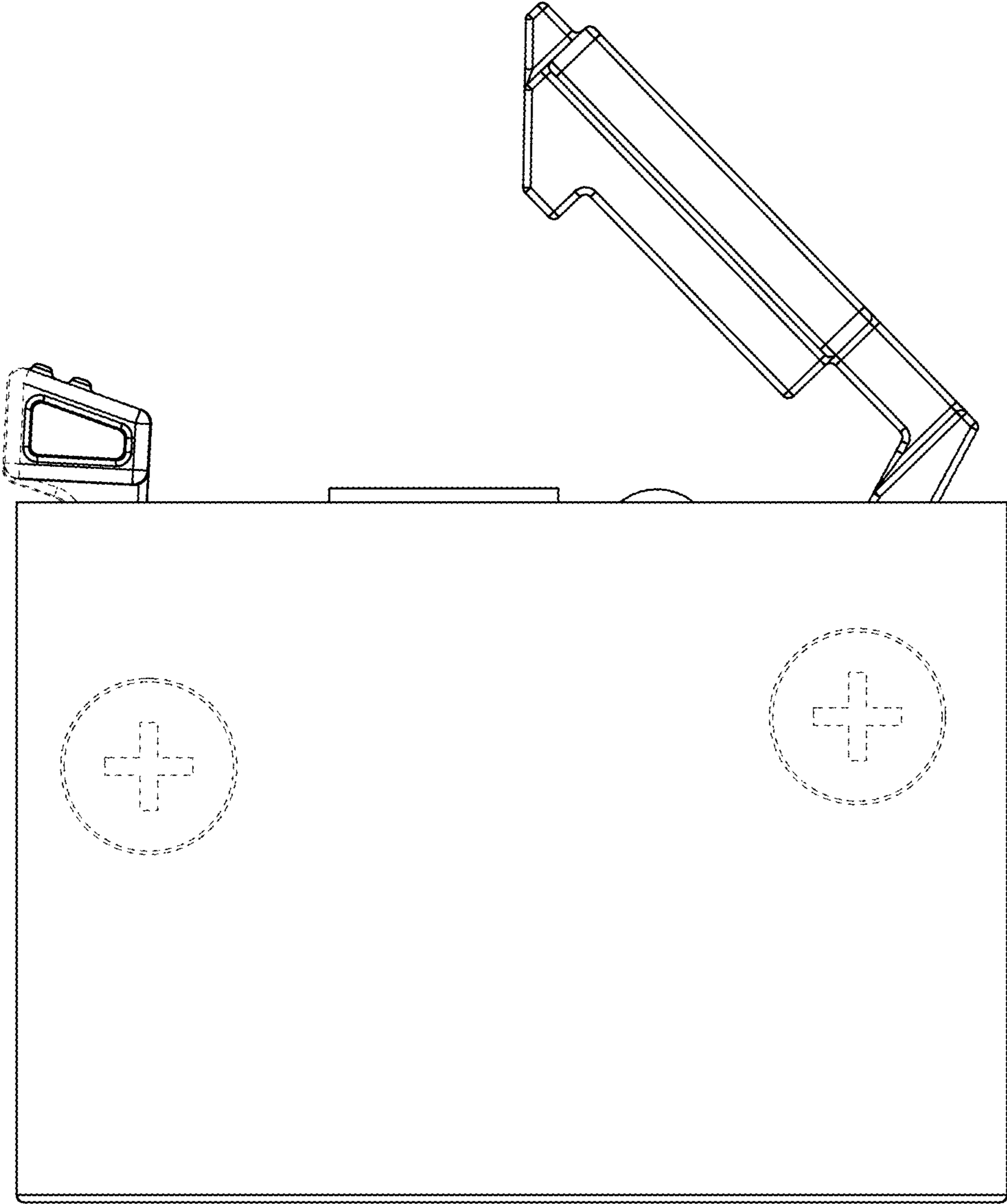


FIG. 8

