



US00D987638S

(12) **United States Design Patent**  
**He et al.**

(10) **Patent No.:** **US D987,638 S**

(45) **Date of Patent:** **\*\* May 30, 2023**

(54) **STYLUS HOLDER**

(71) Applicant: **Jiajia He**, Liuzhou (CN)

(72) Inventors: **Jiajia He**, Liuzhou (CN); **Haining Hou**, Liuzhou (CN); **Chenglan Huang**, Liuzhou (CN)

(73) Assignee: **Jiajia He**, Liuzhou (CN)

(\*\*) Term: **15 Years**

(21) Appl. No.: **29/769,063**

(22) Filed: **Feb. 3, 2021**

(30) **Foreign Application Priority Data**

Aug. 13, 2020 (CN) ..... 202030461356.1

(51) **LOC (14) Cl.** ..... **14-02**

(52) **U.S. Cl.**  
USPC ..... **D14/432**; D14/411

(58) **Field of Classification Search**  
USPC ..... D8/61; D14/411; D19/35, 36, 41-51, D19/54-58, 81, 84; 401/55, 99, 100, 401/104-107, 196, 197, 202, 208, 209, 401/213, 192, 195, 243; 708/107; 345/179, 173; 24/3.7, 3.8, 11 CC  
See application file for complete search history.

(56) **References Cited**

**U.S. PATENT DOCUMENTS**

4,927,986 A \* 5/1990 Daly ..... G06F 1/1626  
178/19.01  
5,180,891 A \* 1/1993 Trumbo ..... B43M 99/008  
178/19.01  
D723,036 S \* 2/2015 Longo ..... D14/411  
D830,368 S \* 10/2018 Zhang ..... D14/440  
D832,256 S \* 10/2018 King ..... D19/81

10,411,748 B1 \* 9/2019 Lucente ..... H04M 1/04  
D980,220 S \* 3/2023 Lee ..... D14/411  
2013/0292530 A1 \* 11/2013 Dang ..... G06F 1/1656  
248/229.2  
2015/0022503 A1 \* 1/2015 Chang ..... B43K 23/12  
345/179

\* cited by examiner

*Primary Examiner* — Austin Murphy

(74) *Attorney, Agent, or Firm* — IPro, PLLC

(57) **CLAIM**

The ornamental design for a stylus holder, as shown and described.

**DESCRIPTION**

FIG. 1 is a perspective view of a stylus holder embodying the new design;

FIG. 2 is another perspective view of the stylus holder;

FIG. 3 is a front view thereof;

FIG. 4 is a back view thereof;

FIG. 5 is a side view thereof;

FIG. 6 is another side view thereof;

FIG. 7 is a top view thereof;

FIG. 8 is a bottom view thereof;

FIG. 9 is a reference view of the stylus holder in use state 1;

FIG. 10 is another reference view of the stylus holder in use state 1;

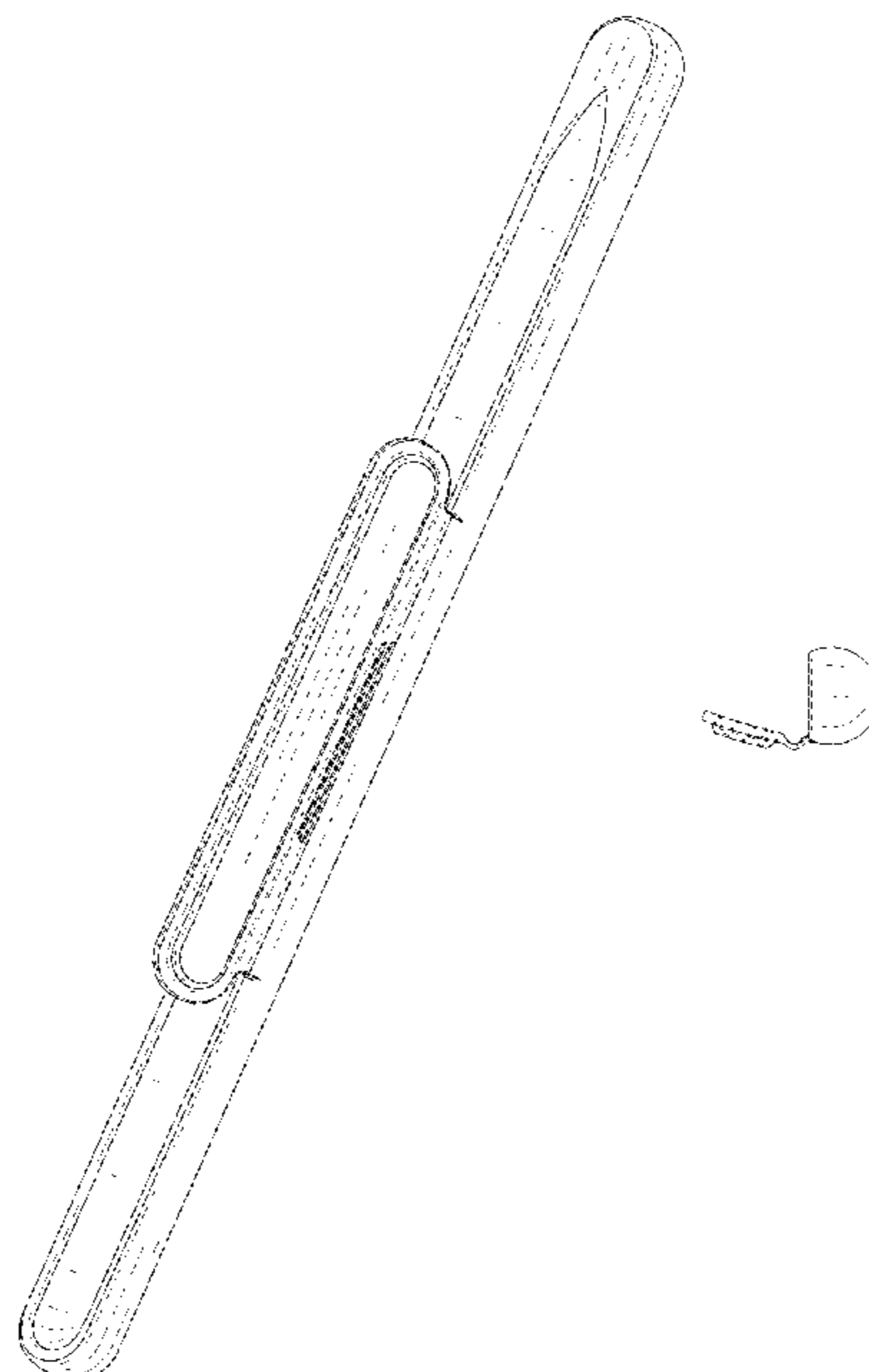
FIG. 11 is a reference view of the stylus holder in another use state 2;

FIG. 12 is another reference view of the stylus holder in the use state 2; and,

FIG. 13 is yet another reference view of the stylus holder in the use state 2.

In the drawings, the broken lines depict unclaimed subject matter only and form no part of the claimed design.

**1 Claim, 12 Drawing Sheets**



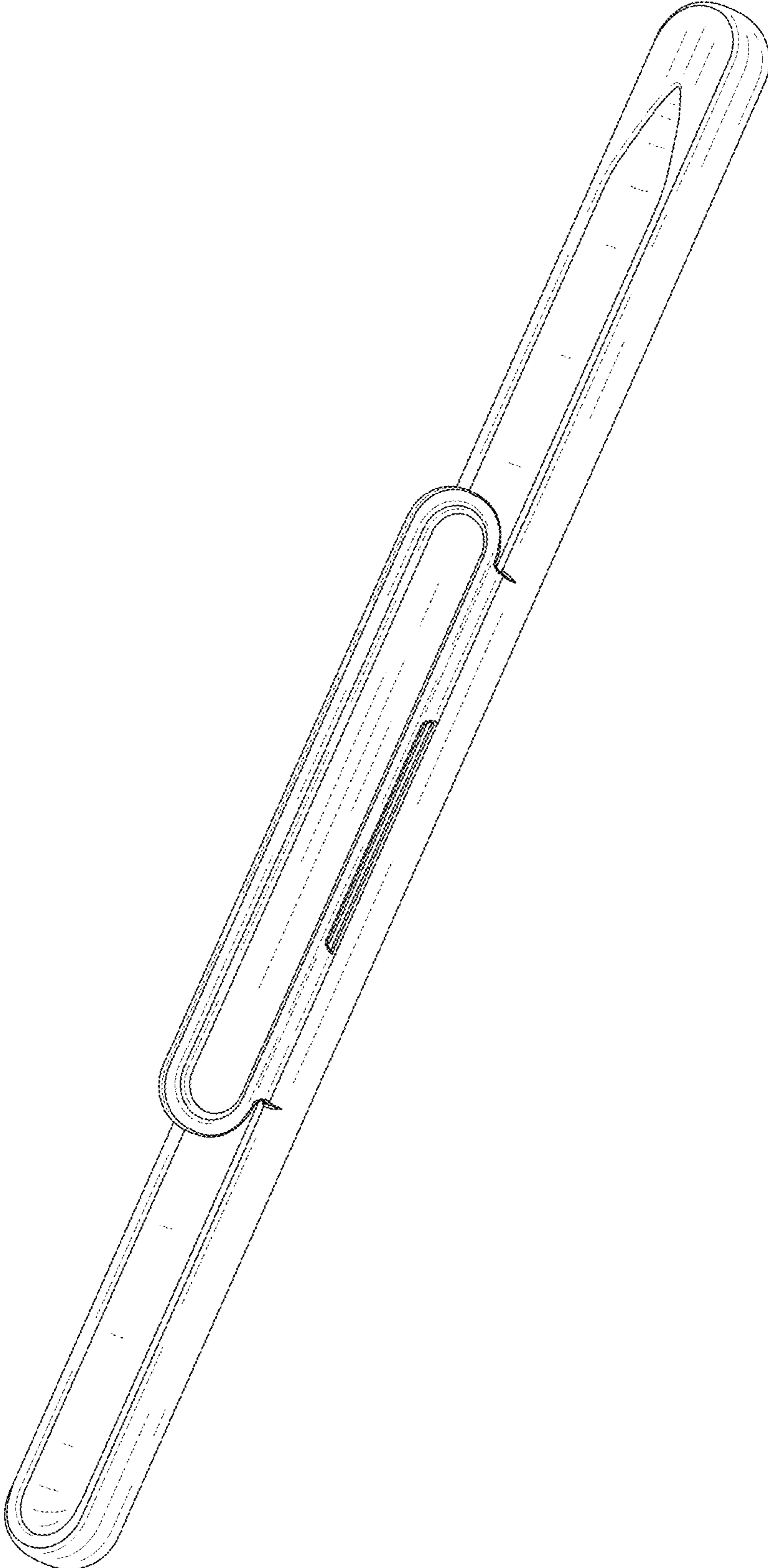


FIG.1

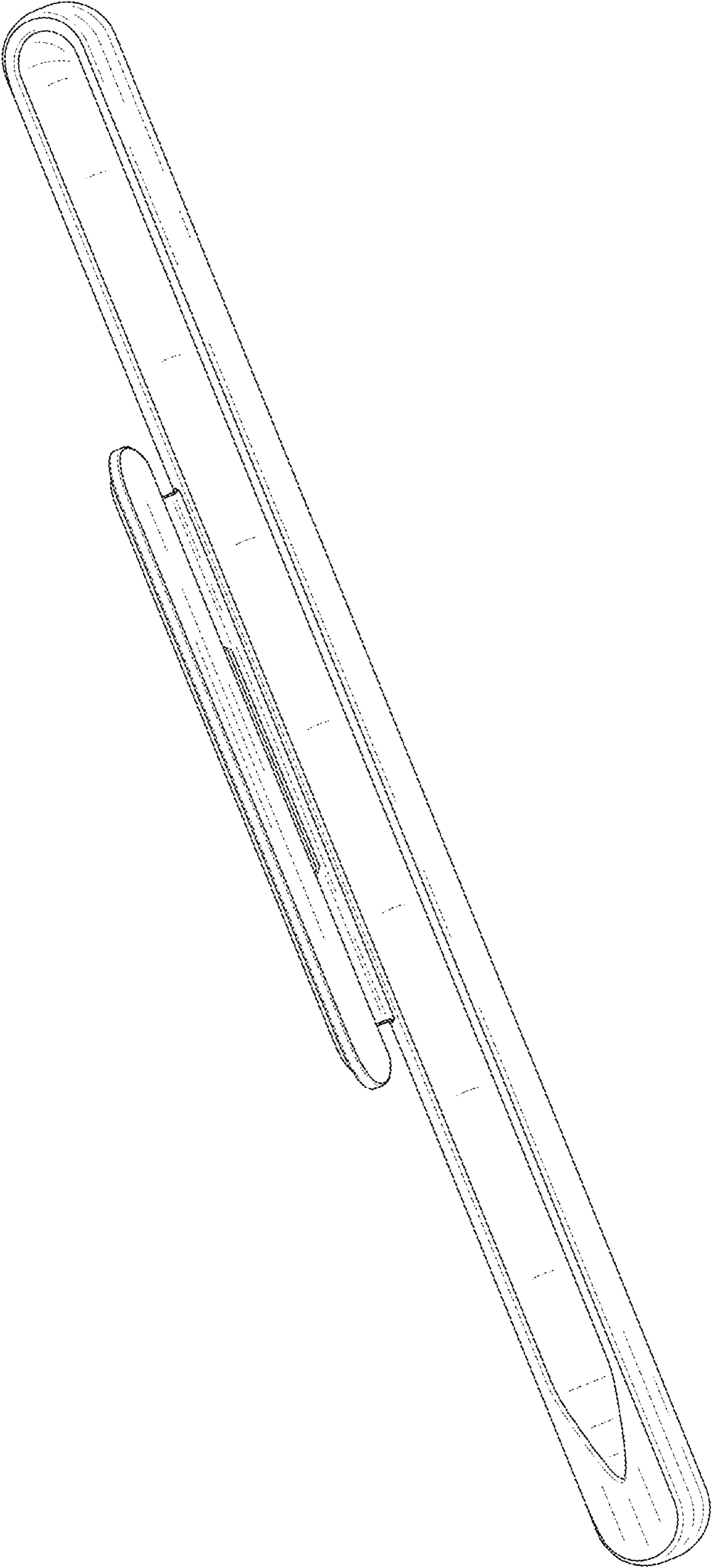


FIG.2

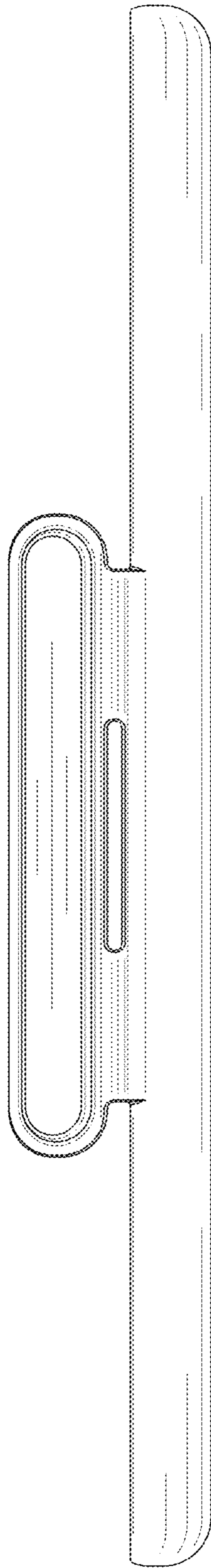


FIG.3

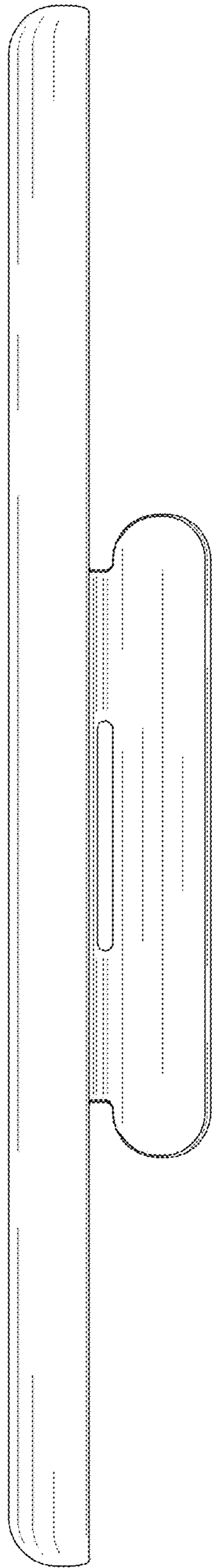


FIG.4



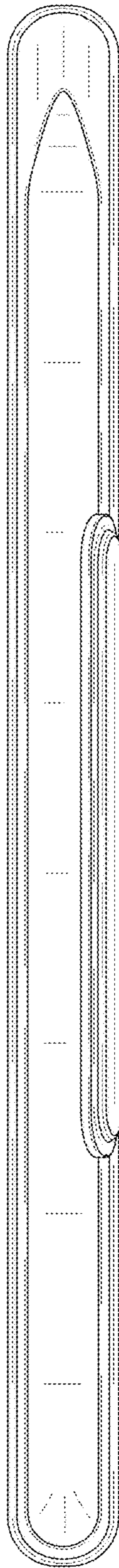


FIG.5

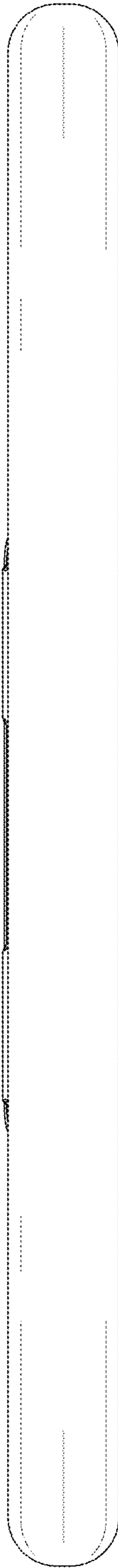


FIG.6

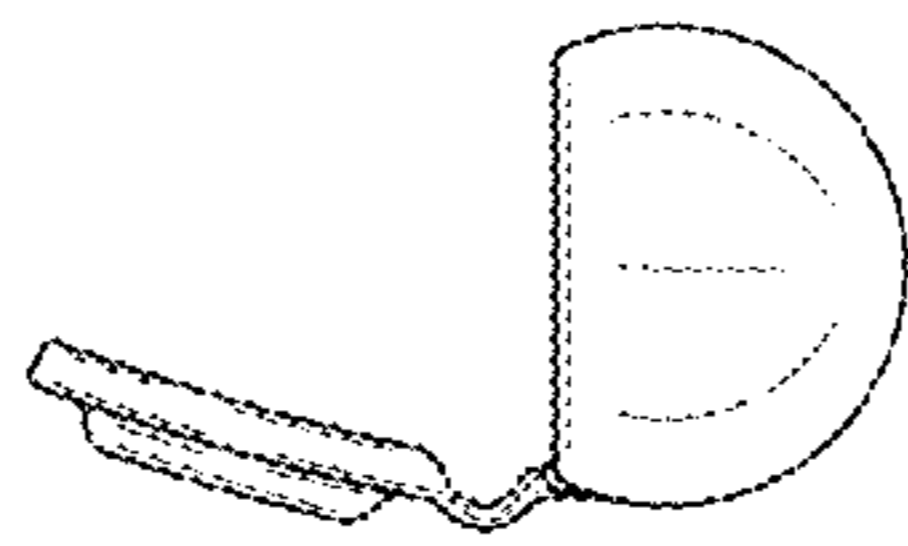


FIG. 7

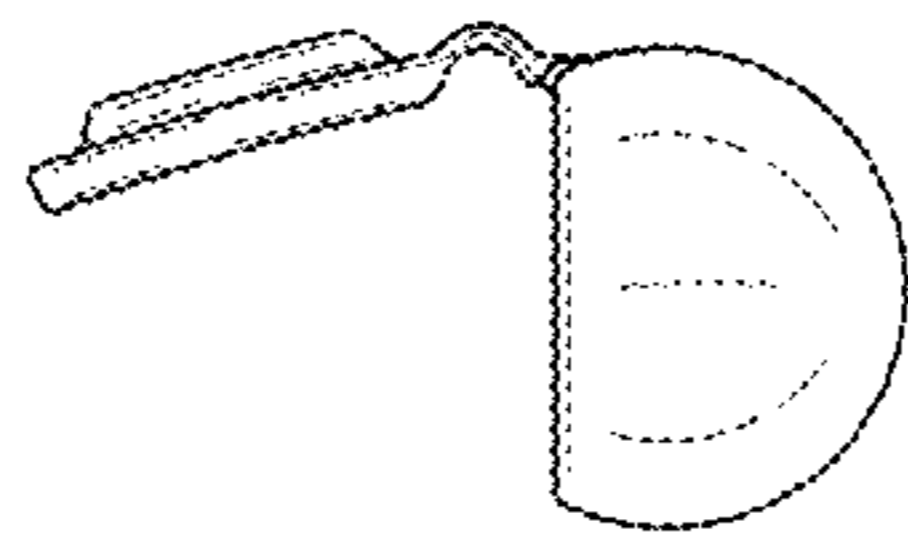


FIG. 8



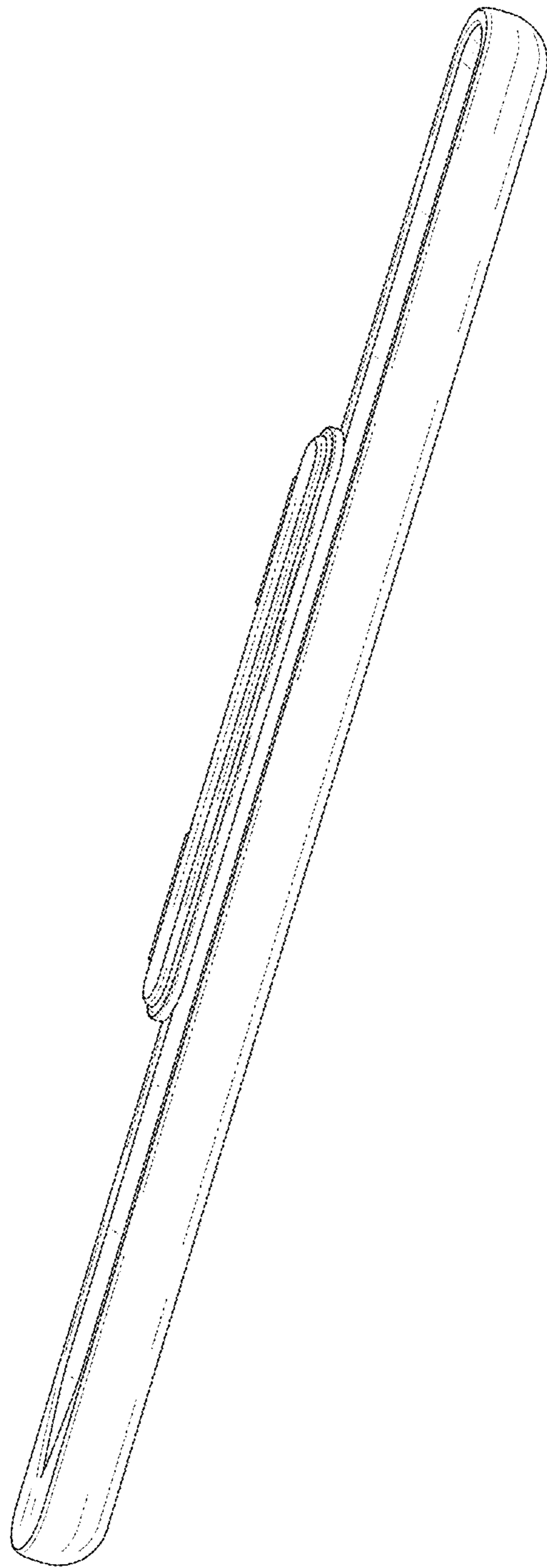


FIG.9

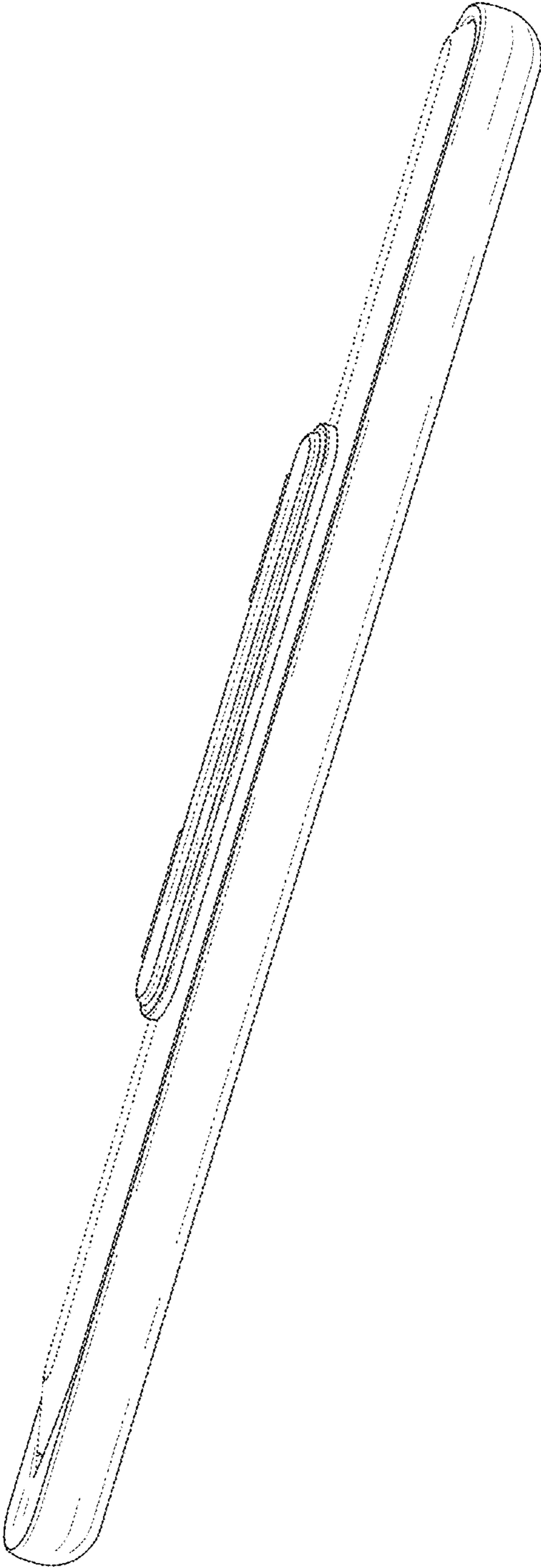


FIG.10

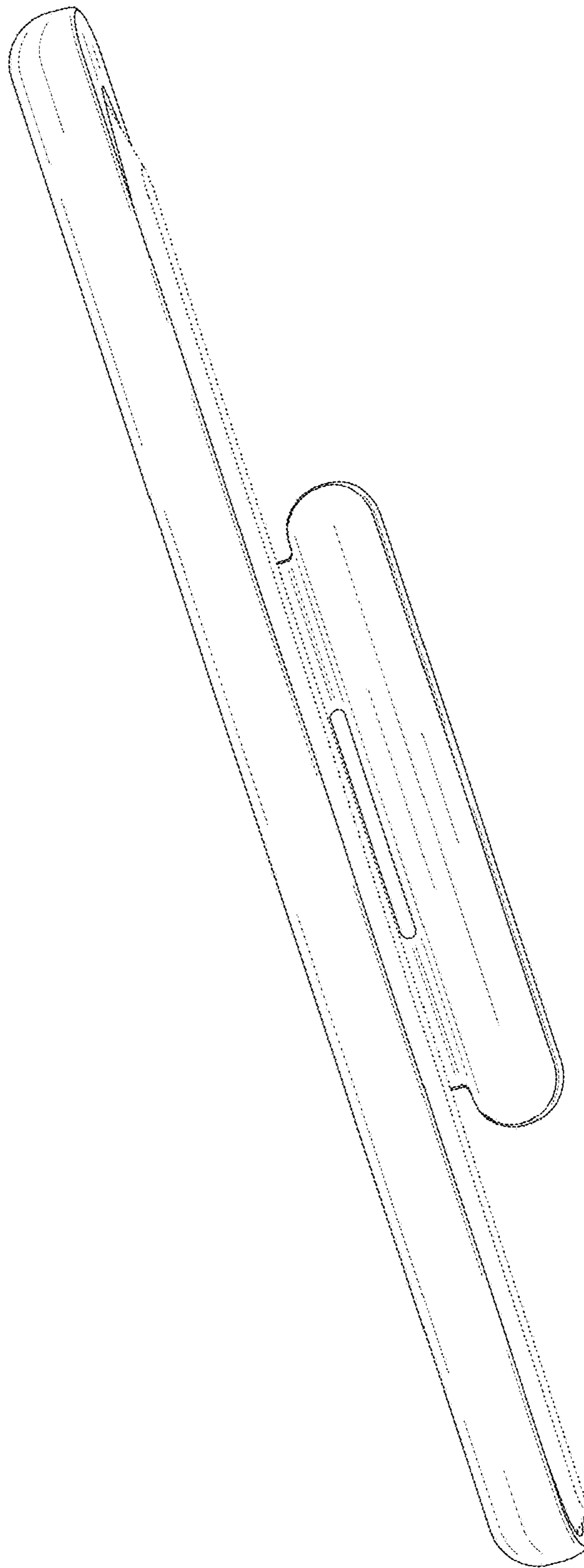


FIG.11

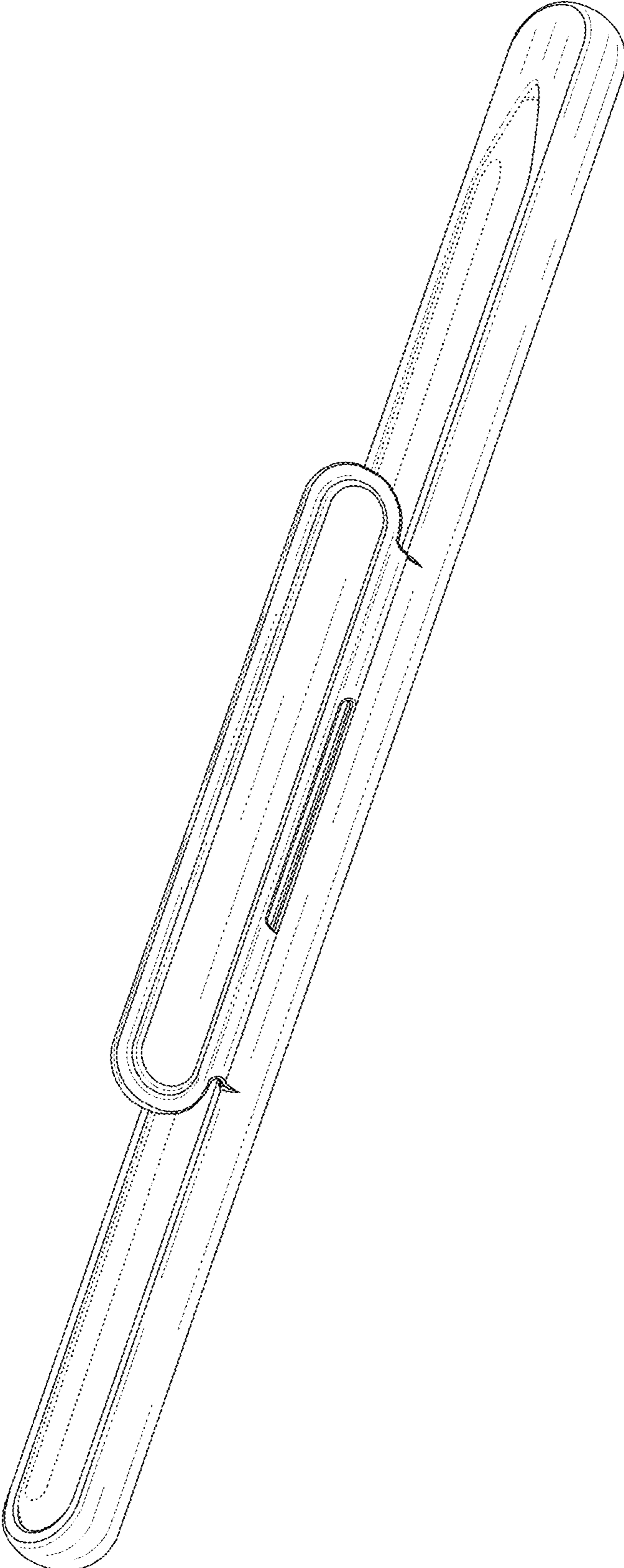


FIG.12

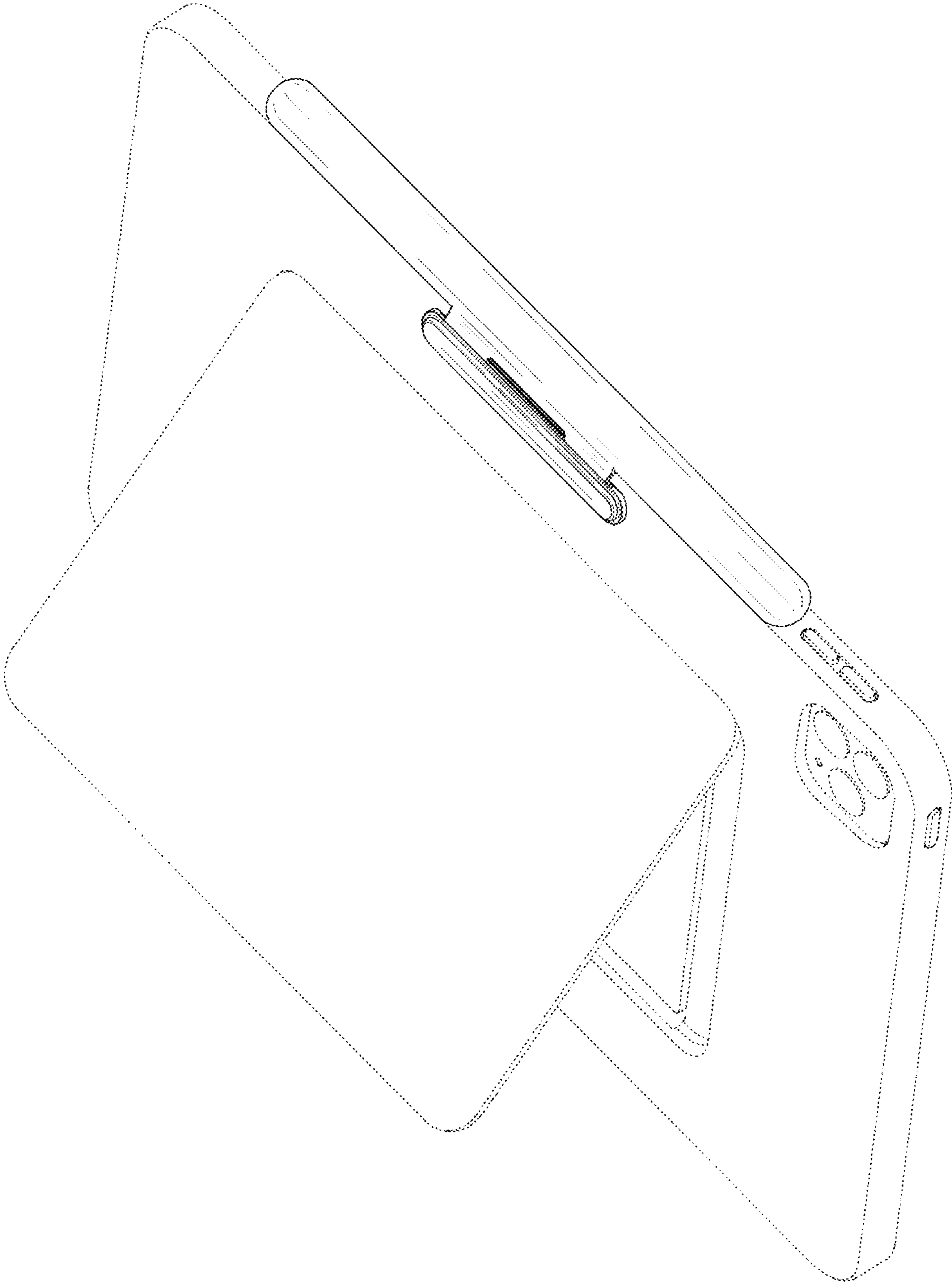


FIG.13