



US00D987632S

(12) **United States Design Patent**
Hoyt et al.

(10) **Patent No.:** **US D987,632 S**

(45) **Date of Patent:** **** May 30, 2023**

(54) **SECURITY CHIP HOLDING APPARATUS**

(71) Applicant: **BN Intellectual Properties, Inc.**, St. Petersburg, FL (US)

(72) Inventors: **Mark J. Hoyt**, Midvale, UT (US);
Donald M. Pell, St. Petersburg, FL (US); **Chad S Frampton**, American Fork, UT (US)

(73) Assignee: **BN INTELLECTUAL PROPERTIES, INC.**, St. Petersburg, FL (US)

(**) Term: **15 Years**

(21) Appl. No.: **29/846,160**

(22) Filed: **Jul. 13, 2022**

(51) **LOC (14) Cl.** **14-03**

(52) **U.S. Cl.**
USPC **D14/383**; D13/184

(58) **Field of Classification Search**
USPC D14/167, 154, 168, 188, 496, 156, 160,
D14/161, 162, 163, 164, 165, 158, 159,
D14/341, 346, 342, 345, 137, 383, 155,
D14/218, 225; D16/208; D13/184;
455/351, 350; D10/104.1, 106, 65;
D3/207

CPC .. H04B 1/385; H04M 1/6091; H04M 1/6066;
H01L 2221/68313

See application file for complete search history.

(56) **References Cited**

U.S. PATENT DOCUMENTS

D469,295 S * 1/2003 Ten Brink D6/634
D577,023 S * 9/2008 Anglin D14/383

D583,817 S * 12/2008 Satou D14/383
D586,346 S * 2/2009 Robinson D14/383
D604,776 S * 11/2009 Denoual D21/392
D661,668 S * 6/2012 Rose D13/184
D671,921 S * 12/2012 Beall D14/230
D708,978 S * 7/2014 Gelowitz G06K 19/07749
D10/106.9
D761,260 S * 7/2016 Luo D14/383
D782,418 S * 3/2017 Visel D13/133
D783,534 S * 4/2017 Visel D13/133
D830,327 S * 10/2018 Jones D14/155
D912,669 S * 3/2021 Min D14/383
D928,783 S * 8/2021 Boucard D14/383
D931,840 S * 9/2021 Chaumont D14/238
D946,752 S * 3/2022 Frampton D24/227
D956,138 S * 6/2022 Komiya D18/56
D967,785 S * 10/2022 O'Brien D13/184

* cited by examiner

Primary Examiner — Austin Murphy

(74) *Attorney, Agent, or Firm* — Hauptman Ham, LLP

(57) **CLAIM**

A new, original, ornamental design for a security chip holding apparatus, as shown.

DESCRIPTION

FIG. 1 is a perspective view of the security chip holding apparatus;

FIG. 2 is a front view thereof;

FIG. 3 is a rear view thereof;

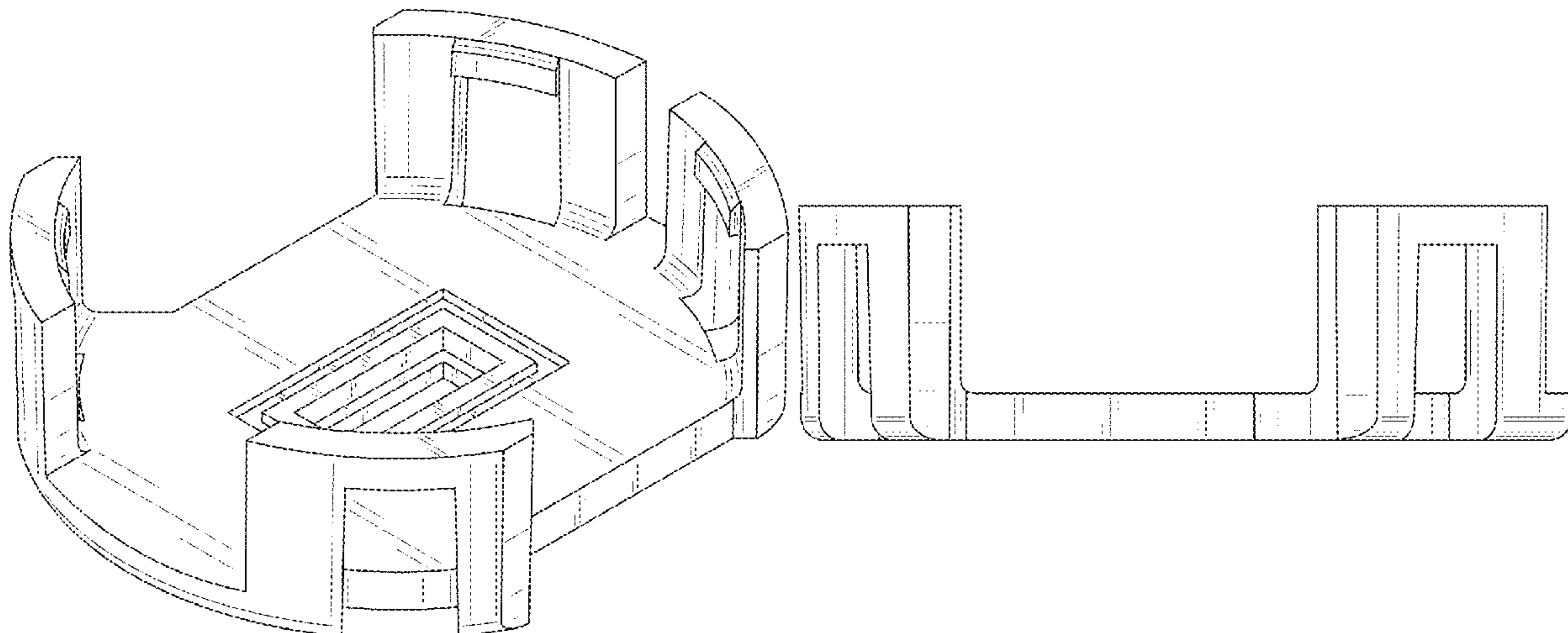
FIG. 4 is a right view thereof;

FIG. 5 is a left view thereof;

FIG. 6 is a top view thereof; and,

FIG. 7 is a bottom view thereof.

1 Claim, 5 Drawing Sheets



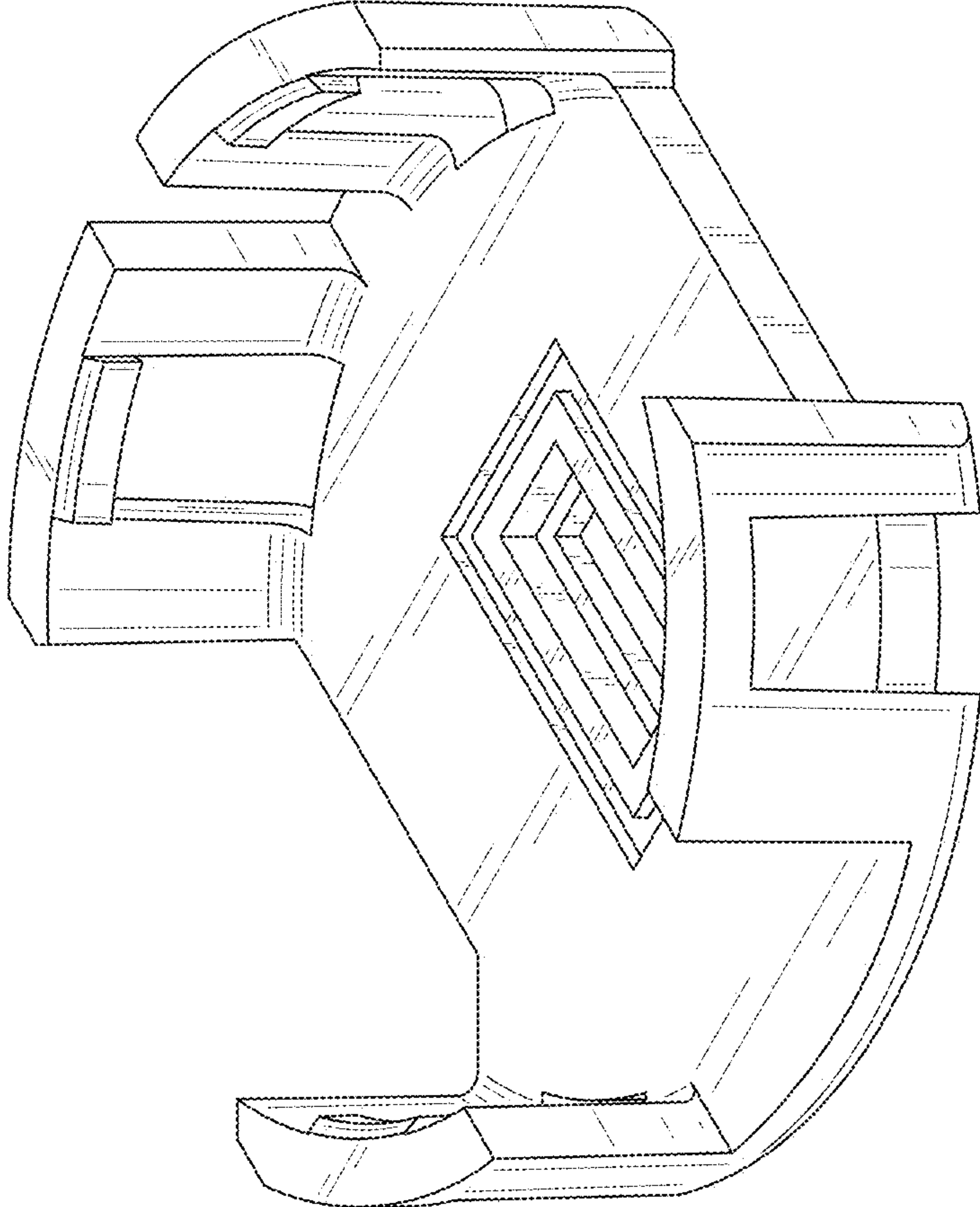


FIG. 1

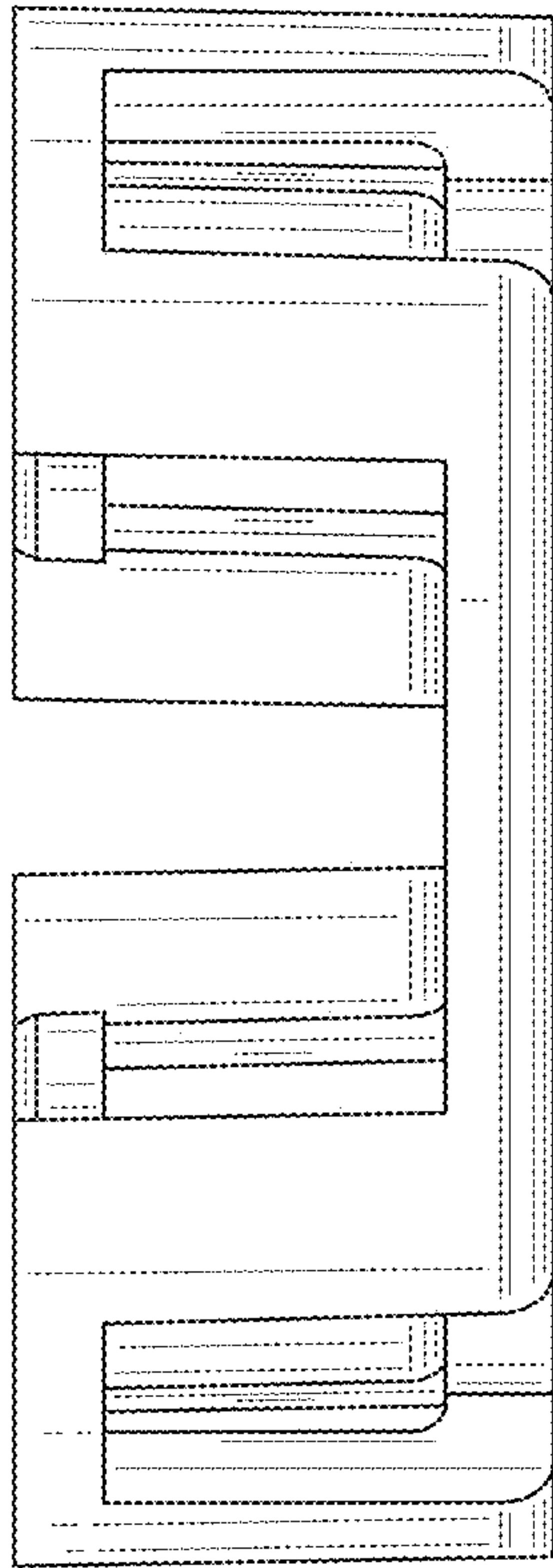


FIG. 2

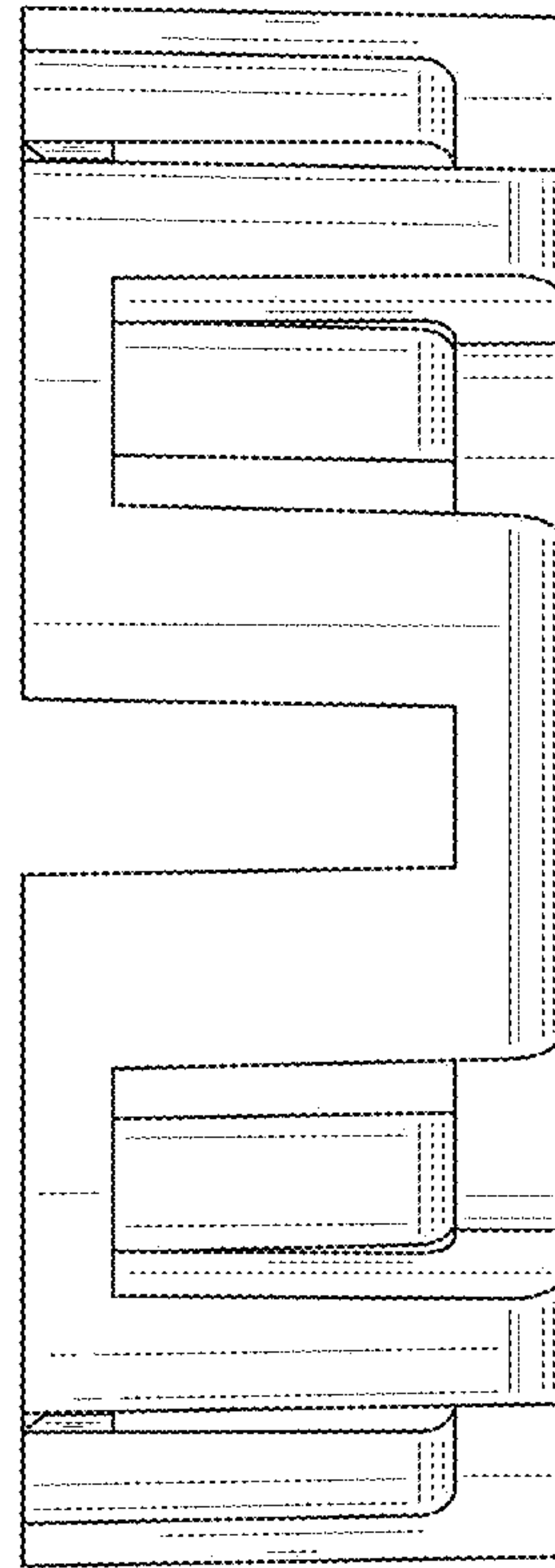


FIG. 3

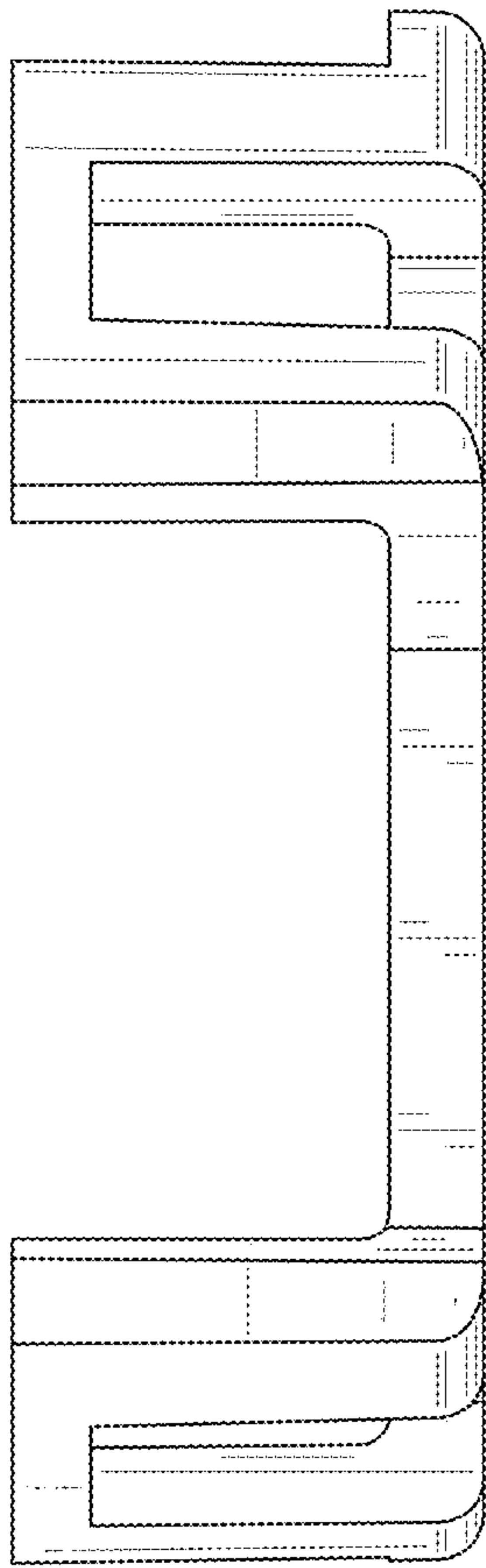


FIG. 4

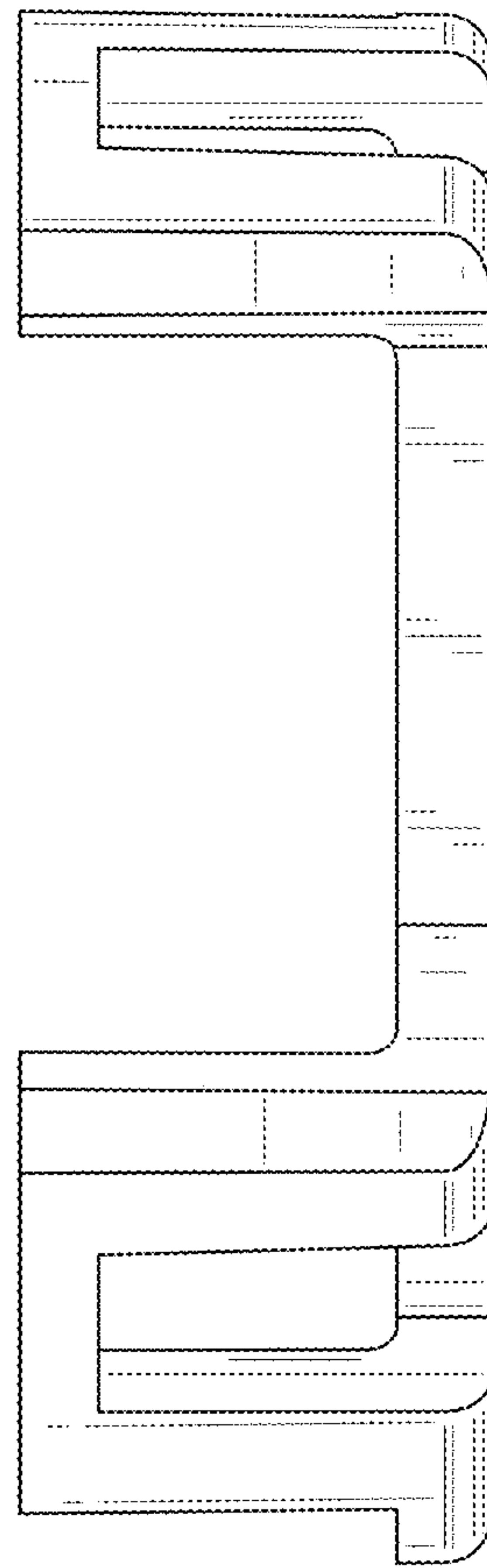


FIG. 5

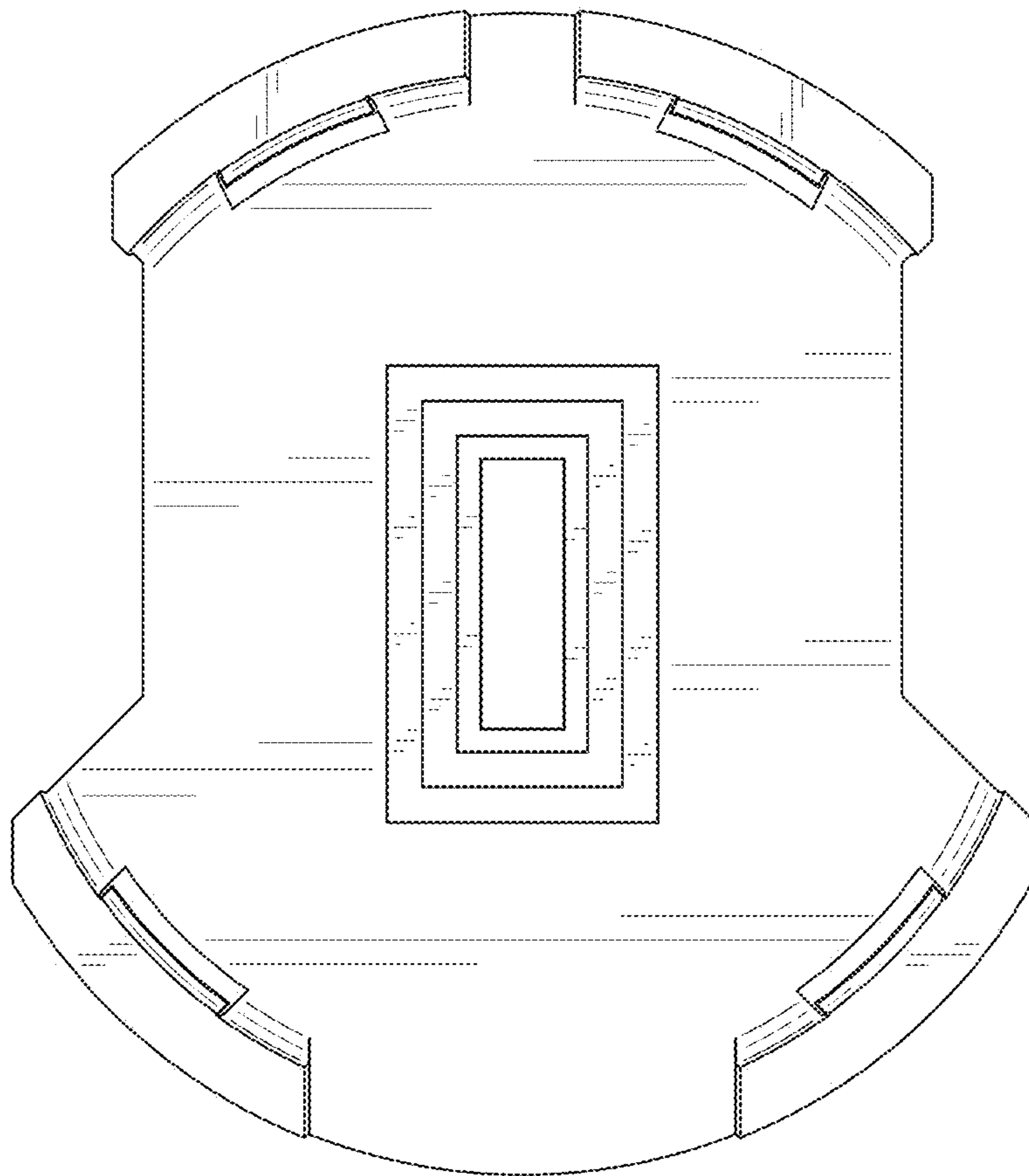


FIG. 6

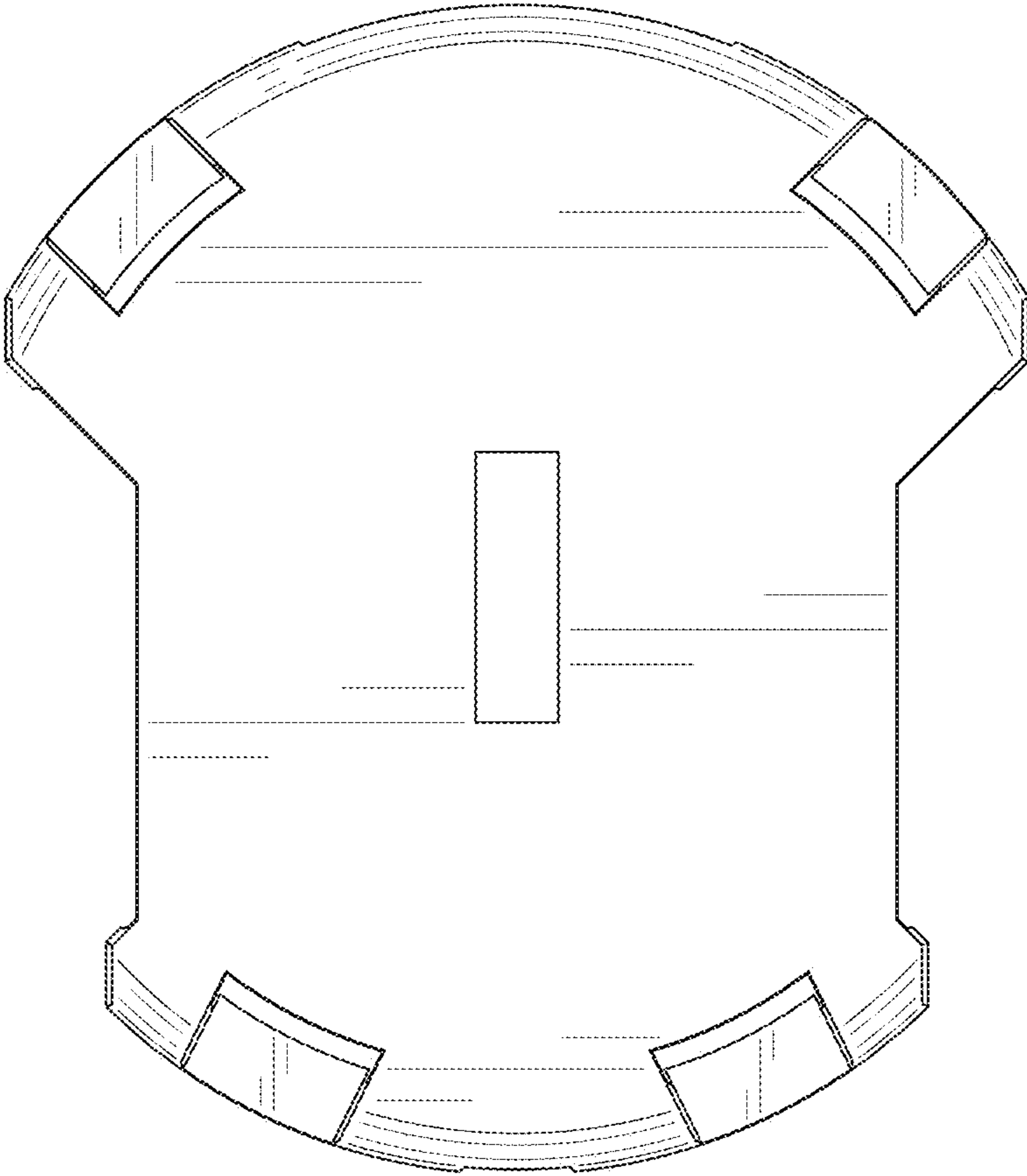


FIG. 7