



US00D987627S

(12) **United States Design Patent** (10) **Patent No.:** **US D987,627 S**
Matsumoto et al. (45) **Date of Patent:** **** May 30, 2023**

(54) **WEARABLE DEVICE**
(71) Applicant: **Amazon Technologies, Inc.**, Seattle, WA (US)
(72) Inventors: **Ipppei Matsumoto**, Daly City, CA (US); **Manish Avinash Mantrawadi**, Redmond, WA (US); **Martin Choe Vogel**, Seattle, WA (US); **Kevin Li**, Seattle, WA (US); **Andrea Cloutier**, Fall City, WA (US)
(73) Assignee: **Amazon Technologies, Inc.**, Seattle, WA (US)
(**) Term: **15 Years**
(21) Appl. No.: **29/809,490**
(22) Filed: **Sep. 28, 2021**
(51) **LOC (14) Cl.** **14-02**
(52) **U.S. Cl.**
USPC **D14/344**
(58) **Field of Classification Search**
USPC D14/138 R, 344; D10/30, 31, 32, 38, 70; D11/3; D24/167
CPC G04G 17/00; G04G 17/045; G04G 17/08; G04G 17/083; G04G 21/00; G04G 21/02; G04G 21/025; G04G 21/06; G04G 21/08; G04G 99/006; G06F 1/163; A44C 5/0007; A44C 5/0015; A44C 5/0046; A44C 5/0053; A44C 5/2052; A44C 5/2071
See application file for complete search history.

D878,365 S * 3/2020 Choplin D14/344
D879,094 S * 3/2020 Choplin D14/344
D886,100 S * 6/2020 Choplin D14/344
D887,405 S * 6/2020 Kozlovskaya D14/344
D902,203 S * 11/2020 Choplin D14/344
D910,618 S * 2/2021 Kozlovskaya D14/344
D918,899 S * 5/2021 Zhu D14/344
D927,999 S * 8/2021 Paschke D10/70
D929,879 S * 9/2021 Paschke D10/70

(Continued)

FOREIGN PATENT DOCUMENTS

GB 6083668 * 2/2020

OTHER PUBLICATIONS

Amazon Halo View fitness tracker, www.amazon.com, Dec. 13, 2021. <https://www.amazon.com/Amazon-fitness-tracker-activity-tracking/dp/B09S8K7191> (Year: 2021).*

(Continued)

Primary Examiner — Llorellys Martinez
Assistant Examiner — Kwabena A. Ankobiah
(74) *Attorney, Agent, or Firm* — Lee & Hayes, P.C.

(57) **CLAIM**

The ornamental design for a wearable device, as shown and described.

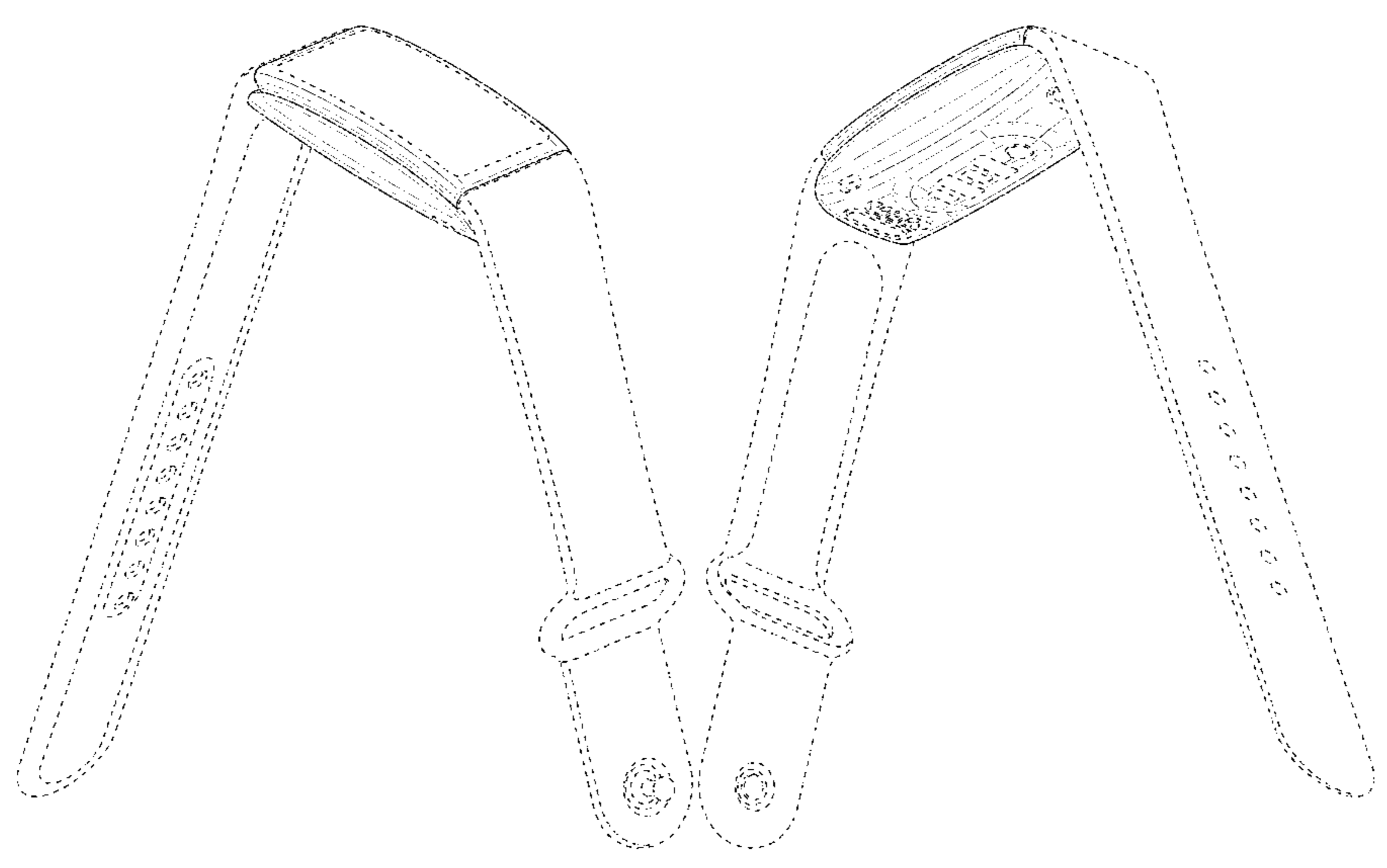
DESCRIPTION

FIG. 1 is a front perspective view of a wearable device; FIG. 2 is a back perspective view thereof; FIG. 3 is a top view thereof; FIG. 4 is a bottom view thereof; FIG. 5 is a left-side view thereof; FIG. 6 is a right-side view thereof; FIG. 7 is a front view thereof; and, FIG. 8 is a back view thereof.

The dashed broken lines depict portions of the wearable device that form no part of the claimed design.

1 Claim, 8 Drawing Sheets

(56) **References Cited**
U.S. PATENT DOCUMENTS
D729,646 S * 5/2015 Phillips D10/70
D826,763 S * 8/2018 Chuang D11/3
D863,296 S * 10/2019 Kern D14/344
D865,761 S * 11/2019 Choplin D14/344
D878,364 S * 3/2020 Kern D14/344



(56)

References Cited

U.S. PATENT DOCUMENTS

D933,649 S * 10/2021 Yu D14/344

OTHER PUBLICATIONS

Fitbit Inspire 2 Health & Fitness Tracker with a Free 1-Year Fitbit Premium Trial, www.amazon.com, Aug. 25, 2020. <https://www.amazon.com/Fitbit-Inspire-Fitness-Tracker-Included/dp/B08DFGPTSK> (Year: 2020).*

Fitness Tracker Watch for Kids, IP68 Waterproof Activity Tracker, Heart Rate Sleep Monitor, 11 Sport Modes Calorie Step Counter with Alarm Clock and Reminder, Great Gift for Boys Girls Teens, www.amazon.com, Aug. 25, 2021. <https://www.amazon.com/Fitness-Tracker-Waterproof-Activity-Reminder/dp/B09DJHRW> (Year: 2021).*

* cited by examiner

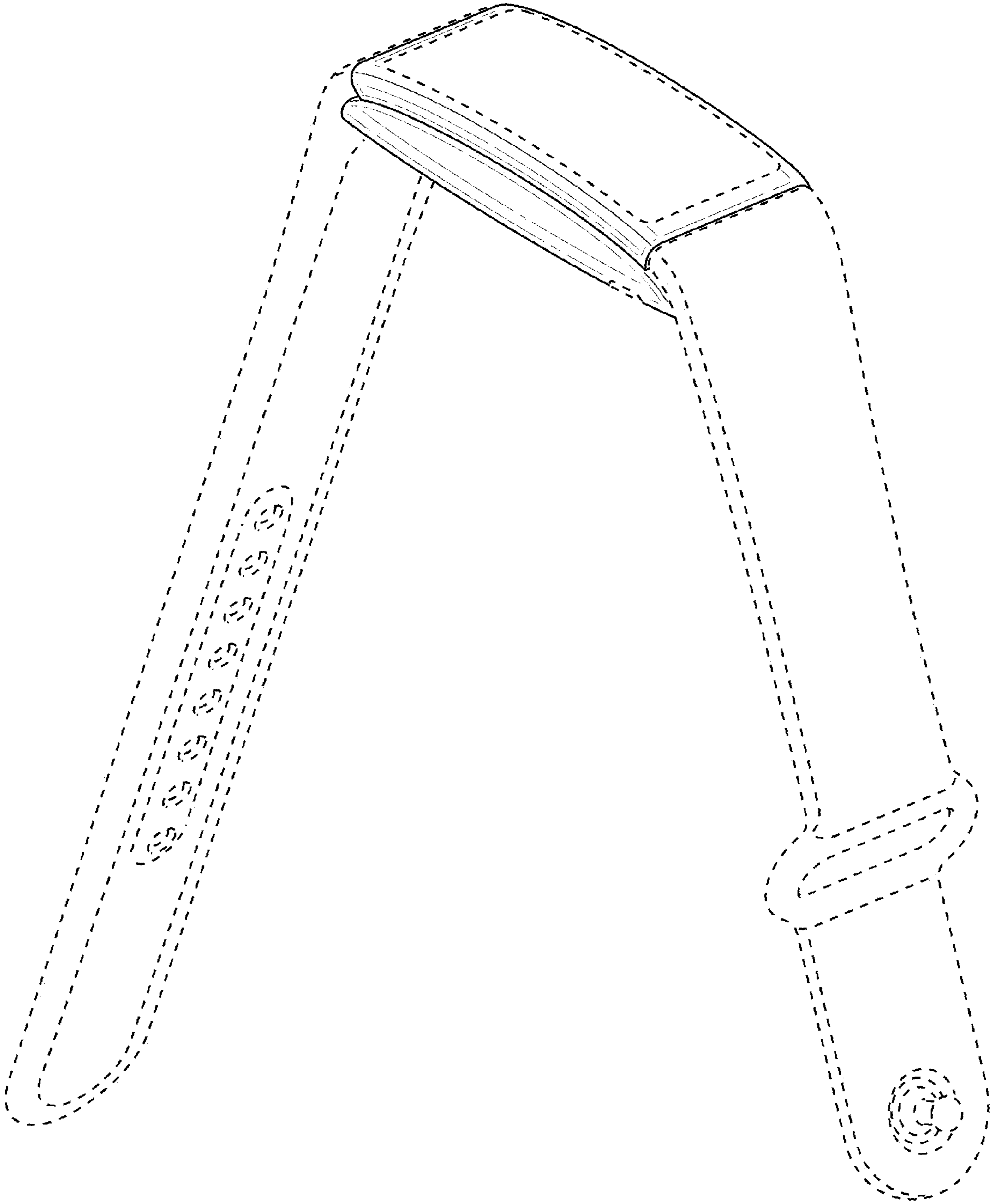


FIG. 1

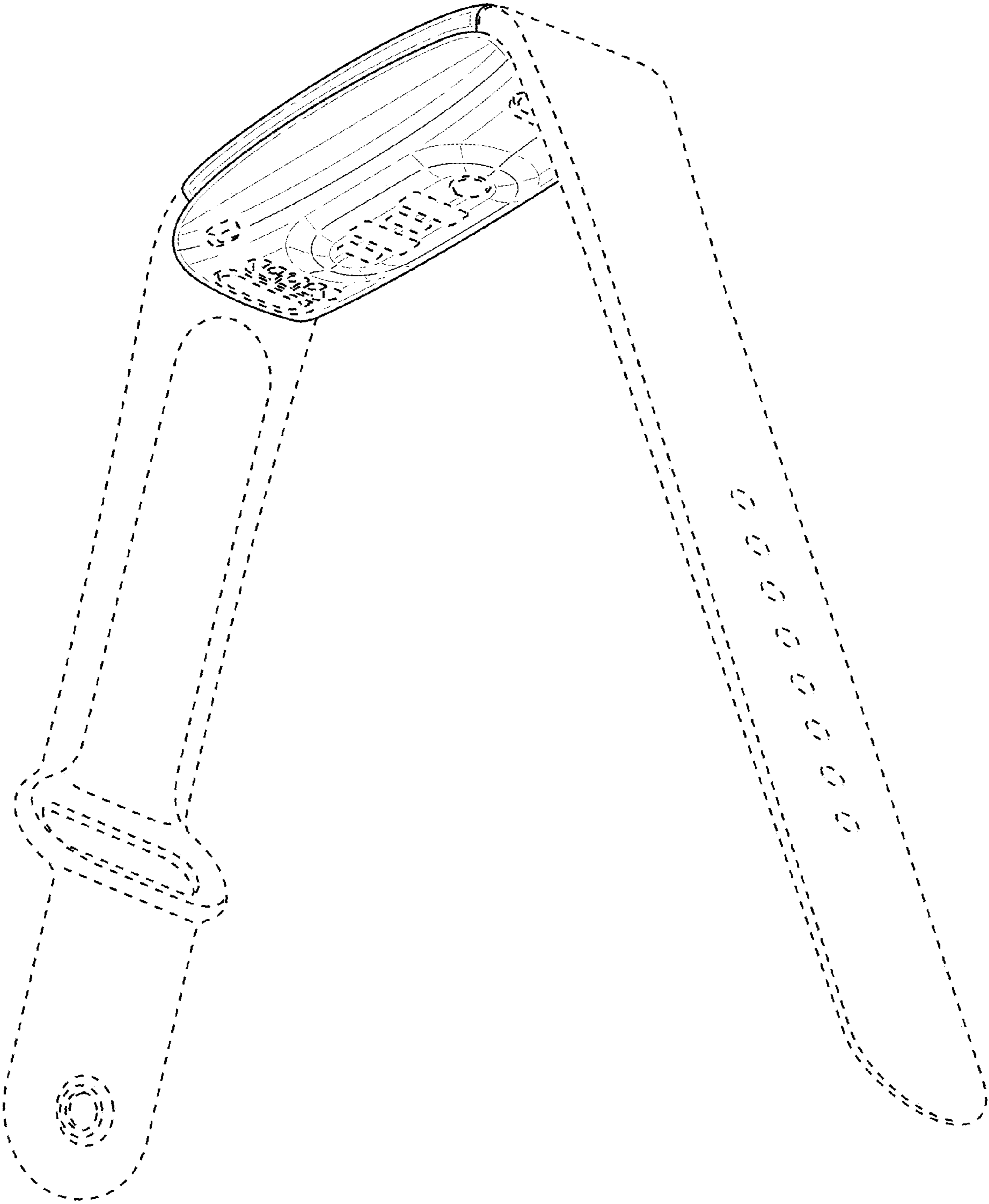


FIG. 2

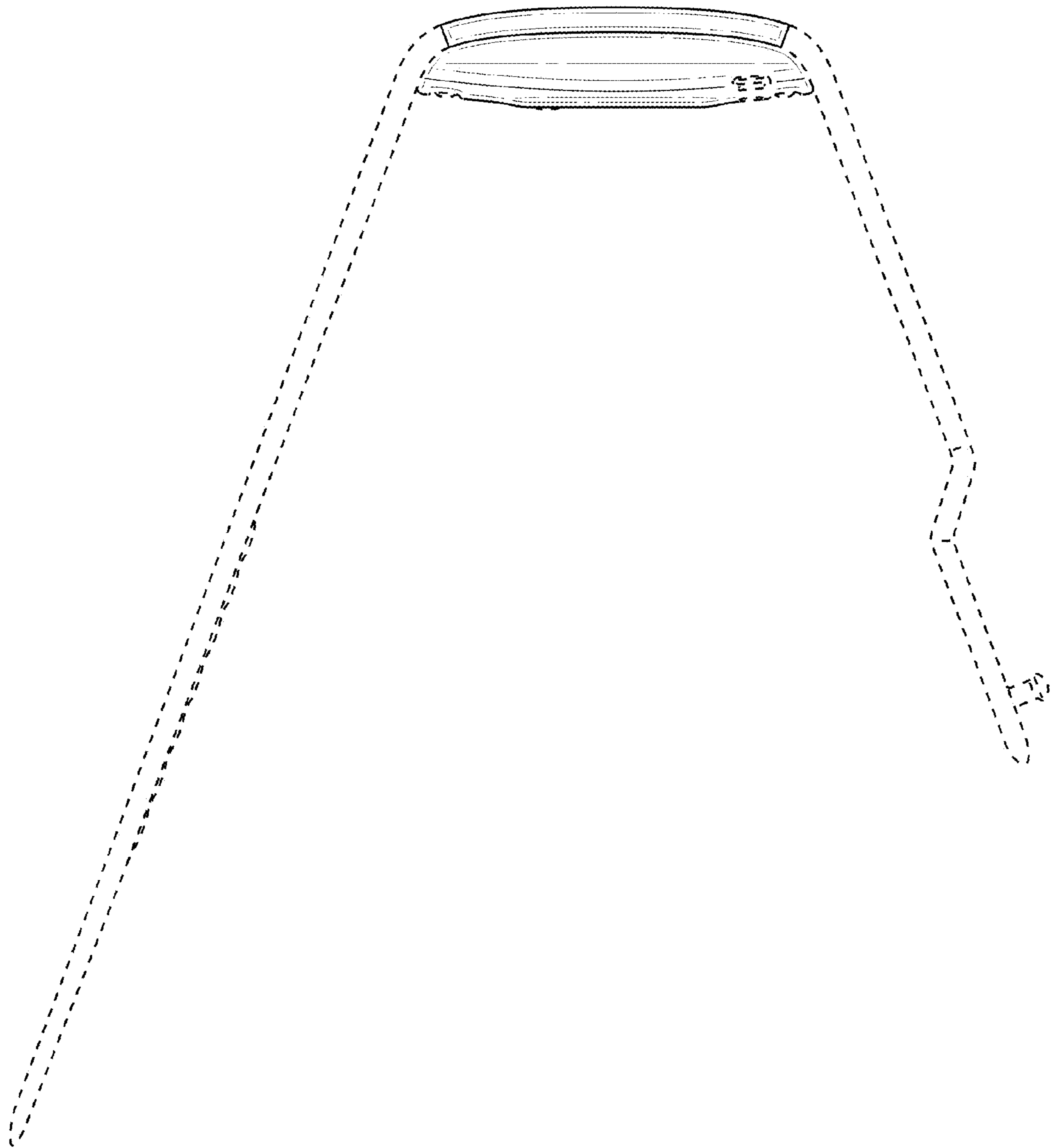


FIG. 3

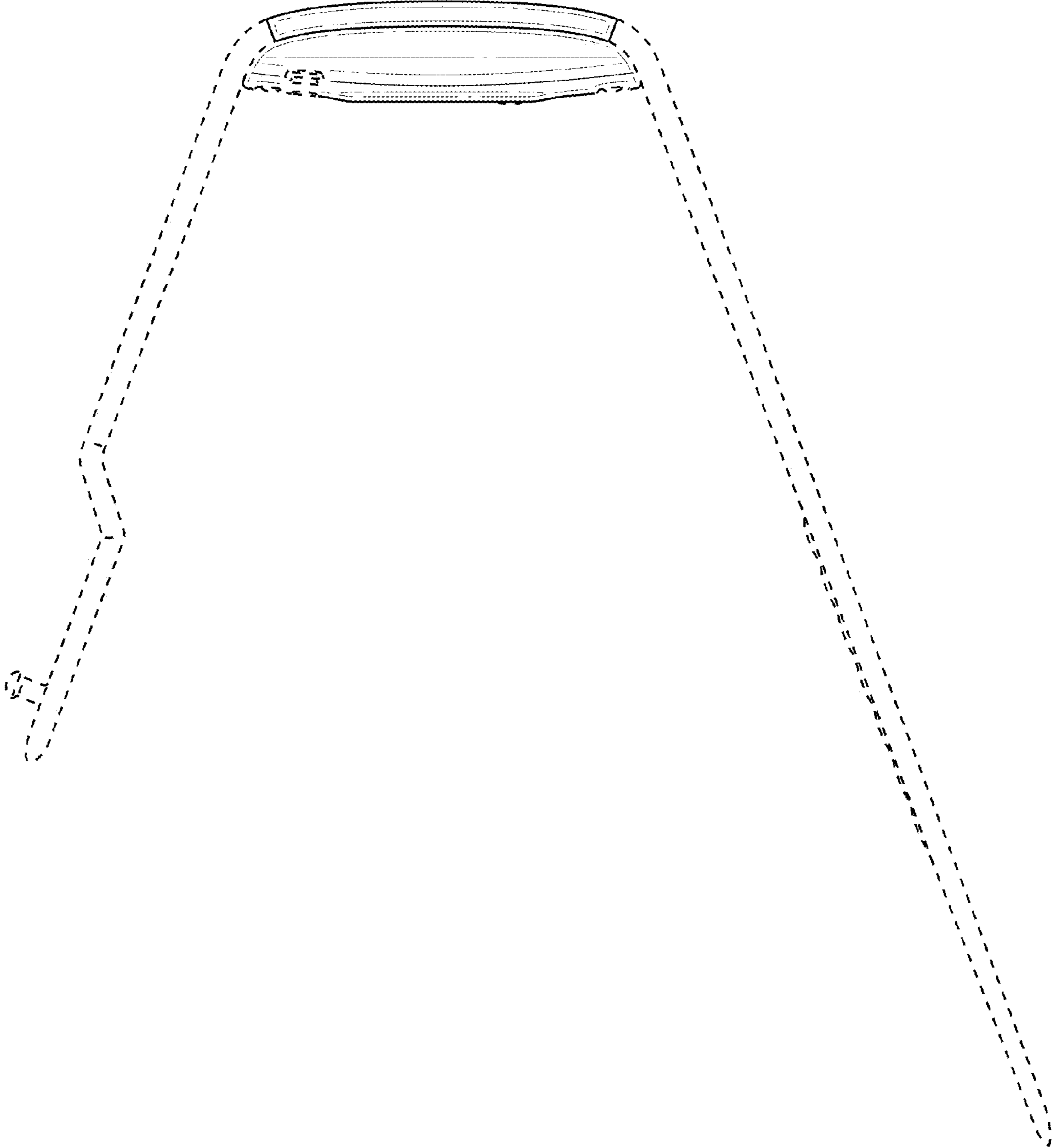


FIG. 4

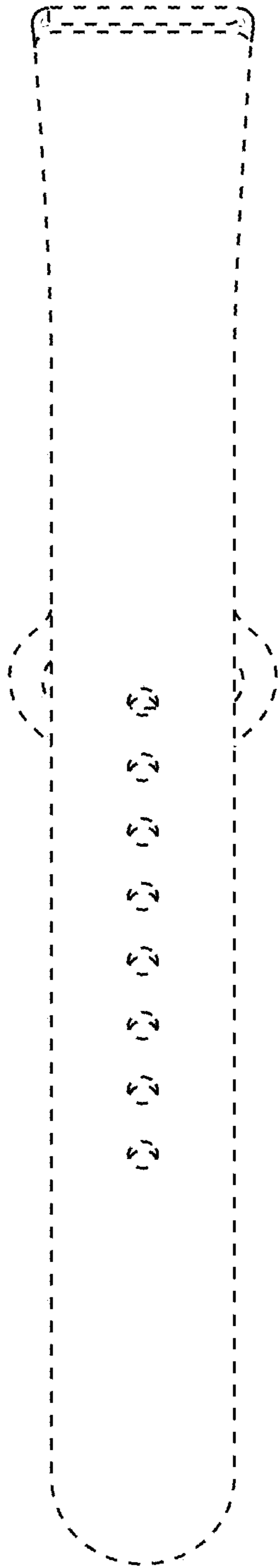


FIG. 5

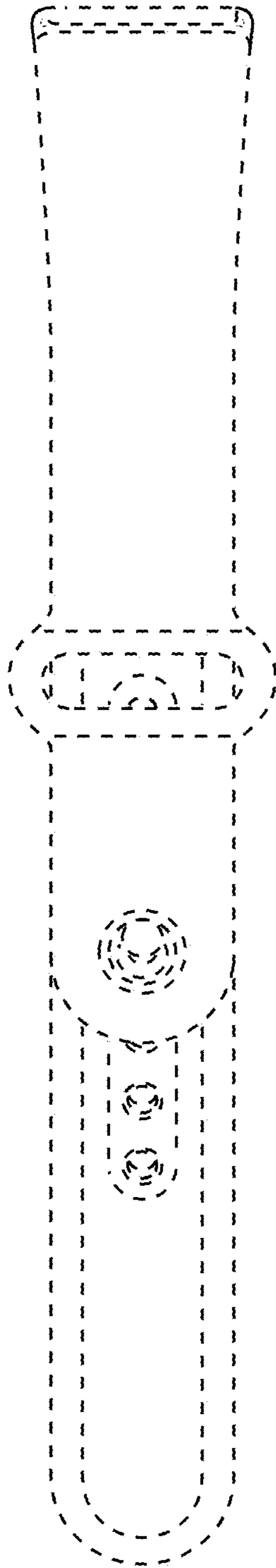


FIG. 6

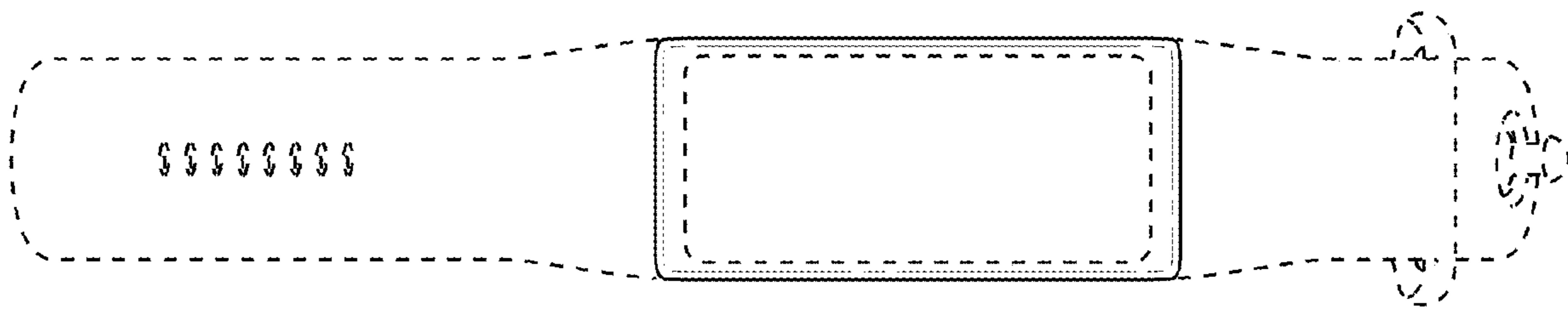


FIG. 7

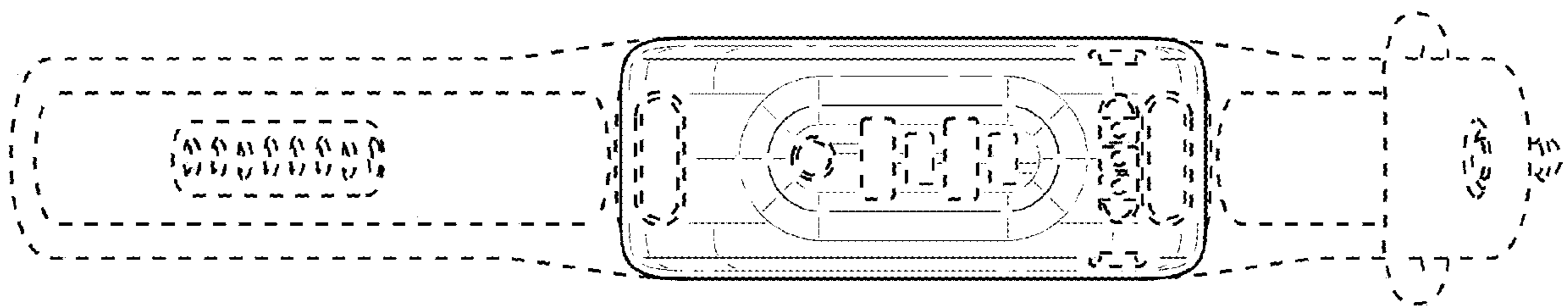


FIG. 8