



US00D987626S

(12) **United States Design Patent** (10) **Patent No.:** **US D987,626 S**
Wu (45) **Date of Patent:** **** May 30, 2023**

(54) **SMART WATCH**

(71) Applicant: **SHENZHEN DO INTELLIGENT TECHNOLOGY CO., LTD.**, Shenzhen (CN)

(72) Inventor: **Dajun Wu**, Shenzhen (CN)

(73) Assignee: **SHENZHEN DO INTELLIGENT TECHNOLOGY CO., LTD.**, Guangdong (CN)

(**) Term: **15 Years**

(21) Appl. No.: **29/738,150**

(22) Filed: **Jun. 15, 2020**

(30) **Foreign Application Priority Data**

Mar. 9, 2020 (CN) 202030075402.4

(51) **LOC (14) Cl.** **14-02**

(52) **U.S. Cl.**
USPC **D14/344**

(58) **Field of Classification Search**
USPC D14/138 R, 344; D10/30, 31, 32, 38, 70; D11/3; D24/167
CPC G04G 17/00; G04G 17/06; G04G 17/08; G04G 17/083; G04G 17/045; G04G 21/00; G04G 21/02; G04G 21/025; G04G 21/06; G04G 21/08; G04G 99/006; G06F 1/163; A44C 5/00; A44C 5/0007; A44C 5/0015; A44C 5/0045; A44C 5/0053; A44C 5/2052; A44C 5/2071
See application file for complete search history.

(56) **References Cited**

U.S. PATENT DOCUMENTS

D866,350 S * 11/2019 Park D14/344
D876,244 S * 2/2020 Park D10/32
D887,406 S * 6/2020 Mao D14/344
D889,459 S * 7/2020 Zhang D14/344

D928,148 S * 8/2021 Wu D14/344
D929,989 S * 9/2021 Han D14/344
D934,860 S * 11/2021 King D14/344
D935,453 S * 11/2021 Gao D14/344
D940,705 S * 1/2022 Lin D14/344
D940,706 S * 1/2022 Wu D14/344
D947,183 S * 3/2022 Wu D14/344
D962,230 S * 8/2022 Gao D14/344
D962,231 S * 8/2022 Gao D14/344

(Continued)

OTHER PUBLICATIONS

Amazfit GTS 2 Mini Smart Watch GPS Fitness Tracker for Men Women, www.amazon.com, Dec. 1, 2020. <https://www.amazon.com/Amazfit-Fitness-Super-Light-Measurement-Monitoring/dp/B08PCYKXV5> (Year: 2020).*

(Continued)

Primary Examiner — Llorellys Martinez

Assistant Examiner — Kwabena A. Ankobiah

(74) *Attorney, Agent, or Firm* — Greer, Burns & Crain, Ltd.

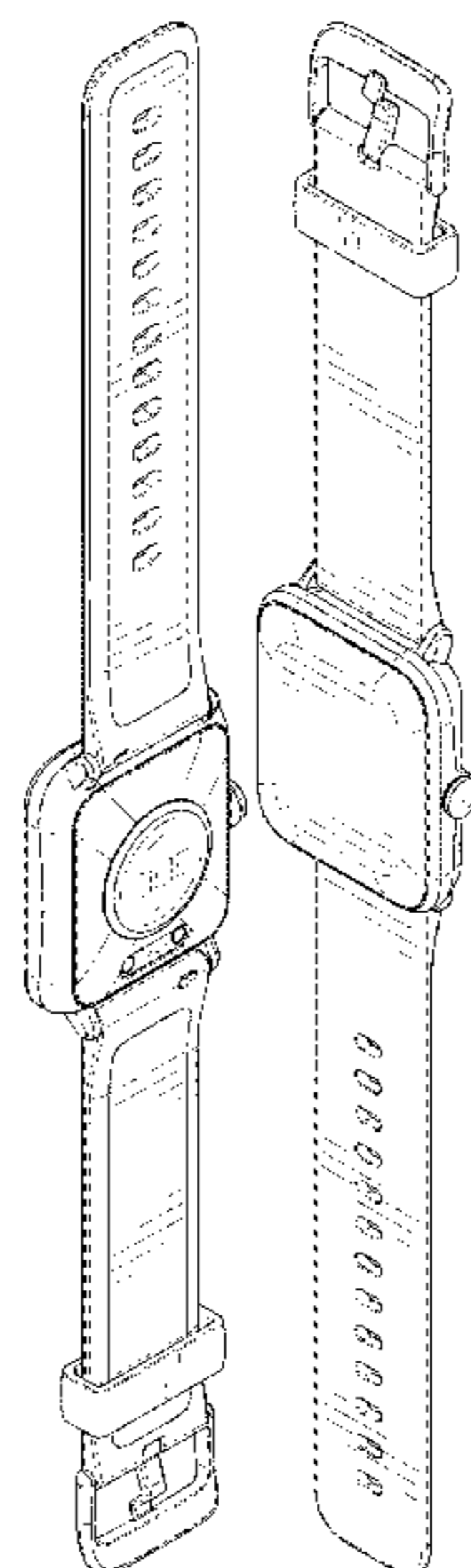
(57) **CLAIM**

The ornamental design for a smart watch, as shown and described.

DESCRIPTION

FIG. 1 is a rear left side perspective view of a smart watch, showing my new design;
FIG. 2 is a front right side perspective view thereof;
FIG. 3 is a rear elevational view thereof;
FIG. 4 is a front elevational view thereof;
FIG. 5 is a right side elevational view thereof;
FIG. 6 is a left side elevational view thereof;
FIG. 7 is a top plan view thereof; and,
FIG. 8 is a bottom plan view thereof.
The broken lines in the drawings depict portions of the smart watch that form no part of the claimed design.

1 Claim, 8 Drawing Sheets



(56)

References Cited

U.S. PATENT DOCUMENTS

D962,232 S	*	8/2022	Gao	D14/344
D962,233 S	*	8/2022	Gao	D14/344
D962,234 S	*	8/2022	He	D14/344
D963,639 S	*	9/2022	Zhang	D14/344
D971,207 S	*	11/2022	Zhu	D14/344
D971,208 S	*	11/2022	Hu	D14/344

OTHER PUBLICATIONS

Amazfit Bip U Pro Smart Watch, www.amazon.com, Oct. 30, 2020.
<https://www.amazon.com/Amazfit-Battery-Fitness-Tracker-Resistant/dp/B08JS3YYLH> (Year: 2020).*

Dirrelo GT01 Smartwatch—Best Apple Watch Clone!, www.youtube.com, Jul. 9, 2021. <https://www.youtube.com/watch?v=ohfHshVW11k> (Year: 2021).*

Letsfit Smartwatch (ID205L) review, www.youtube.com, Feb. 5, 2021. <https://www.tomsguide.com/reviews/letsfit-smartwatch-id205l> (Year: 2021).*

* cited by examiner

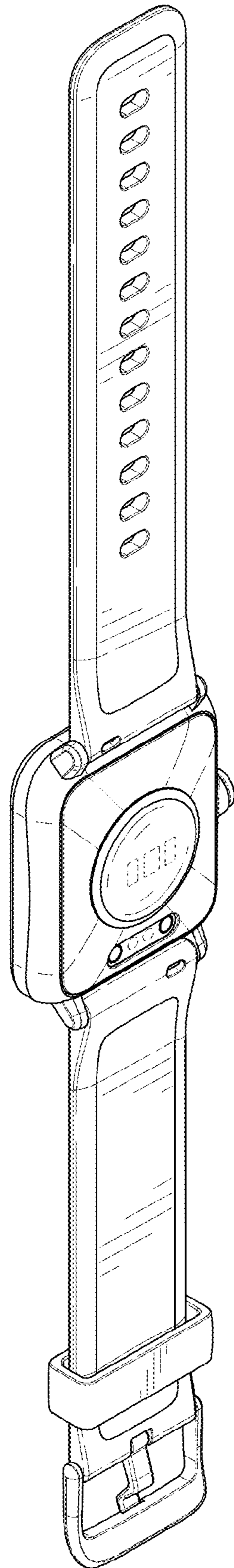


FIG. 1

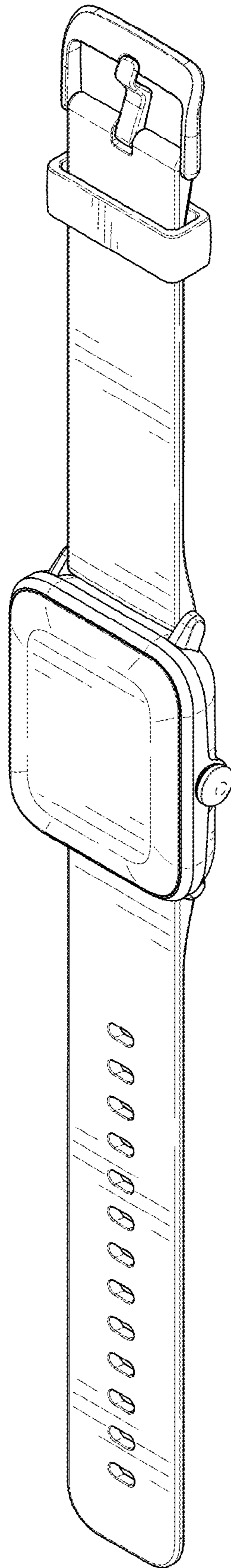


FIG. 2

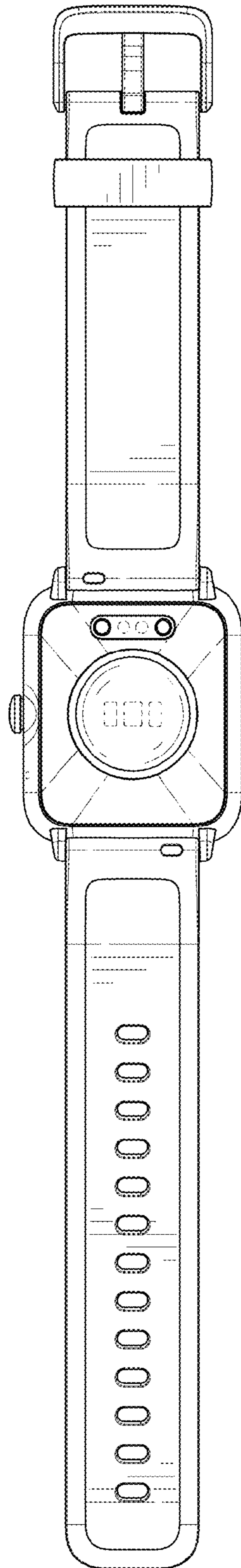


FIG. 3

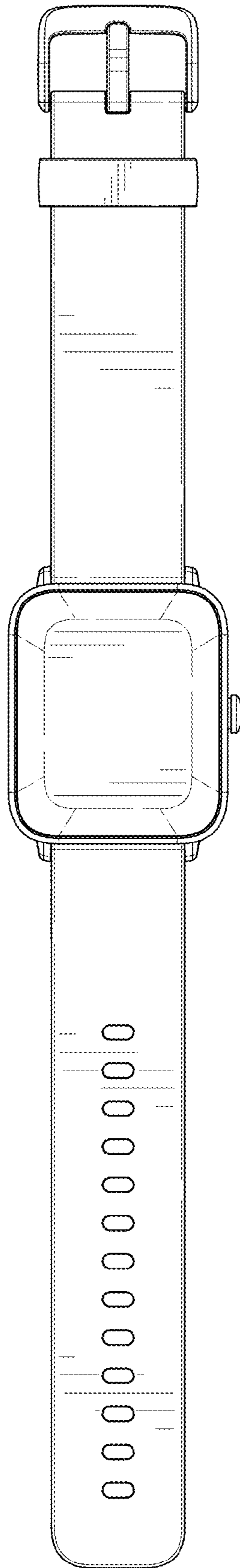


FIG. 4

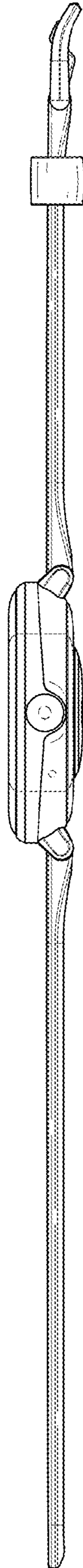


FIG. 5

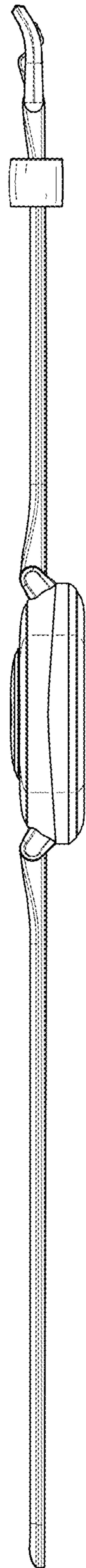


FIG. 6

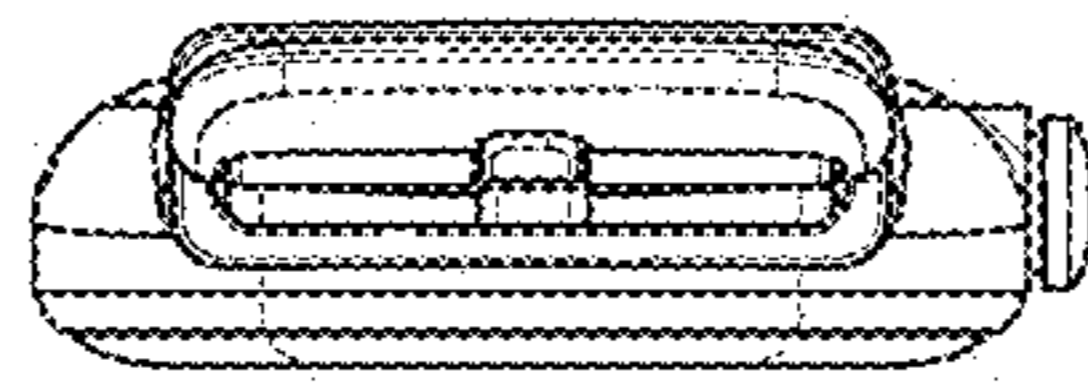


FIG. 7

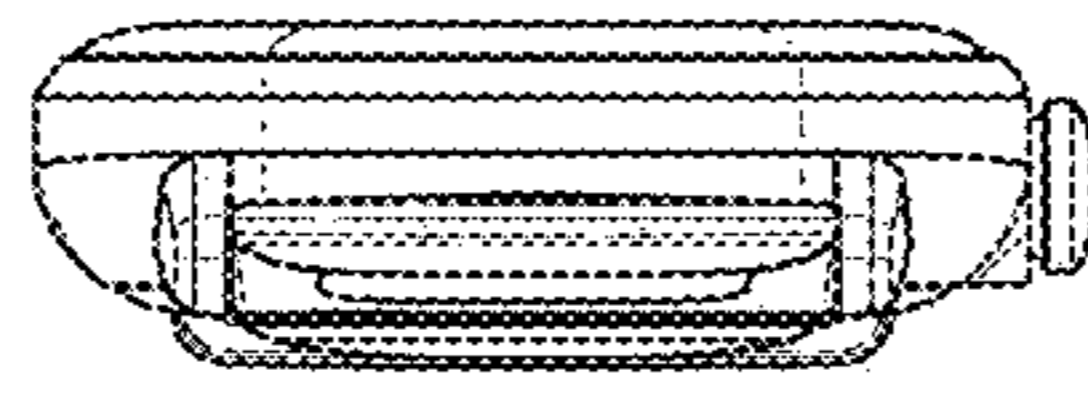


FIG. 8