



US00D987622S

(12) **United States Design Patent** (10) **Patent No.:** **US D987,622 S**  
**Fricke et al.** (45) **Date of Patent:** **\*\* May 30, 2023**

(54) **PORTABLE COMPUTER**

FOREIGN PATENT DOCUMENTS

(71) Applicant: **Intel Corporation**, Santa Clara, CA (US)

JP D1528851 7/2015  
KR 300808191.0000 7/2015

(Continued)

(72) Inventors: **Gustavo Fricke**, San Jose, CA (US); **Mikko Mäkinen**, Santa Clara, CA (US); **Rand Lenroot**, Folsom, CA (US); **Christopher M. Moore**, Hillsboro, OR (US); **Saara Kamppari-Miller**, Hillsboro, OR (US); **Edward Morton Burdick**, Wiltshire (GB)

OTHER PUBLICATIONS

Lenovo ThinkPad X1, World's first foldable Laptop in pictures, first available Nov. 18, 2019, gizmochina.com, [online], [site visited Mar. 28, 2022], Available from internet URL: <https://www.gizmochina.com/2019/11/18/lenovo-thinkpad-x1-worlds-first-foldable-laptop-in-pictures/> (Year: 2019).\*

(Continued)

(73) Assignee: **Intel Corporation**, Santa Clara, CA (US)

*Primary Examiner* — Samantha Q Lawrence

*Assistant Examiner* — Holly M Rodriguez

(\*\*) Term: **15 Years**

(74) *Attorney, Agent, or Firm* — Hanley, Flight & Zimmerman, LLC

(21) Appl. No.: **29/729,266**

(22) Filed: **Mar. 25, 2020**

(57) **CLAIM**

(51) **LOC (14) Cl.** ..... **14-02**

The ornamental design for a “portable computer,” as shown and described.

(52) **U.S. Cl.**

USPC ..... **D14/341**; D14/315

(58) **Field of Classification Search**

**DESCRIPTION**

USPC ..... D14/341, 388–389, 371, 374, 420, 426, D14/129–130, 315–318, 342–347, 496; D21/324, 329; D24/186; D10/104.4, 50, D10/65, 74

FIG. 1 is a top, front, right, perspective view of a portable computer.

CPC ..... G06F 1/16; G06F 1/632; G06F 1/1616; G06F 1/1626; G06F 1/1658; G06F 1/688; G06F 1/1613; G06F 2200/1633; G06F 3/0488; G06F 3/04886; G06F 3/044; G06F

FIG. 2 is a top, rear, left perspective view of the portable computer of FIG. 1.

FIG. 3 is a top view of the portable computer of FIG. 1.

FIG. 4 is a bottom view of the portable computer of FIG. 1.

FIG. 5 is a front view of the portable computer of FIG. 1.

FIG. 6 is a rear view of the portable computer of FIG. 1.

FIG. 7 is a right side view of the portable computer of FIG. 1; and,

FIG. 8 is a left side view of the portable computer of FIG. 1.

The broken lines in the drawings represent portions of the portable computer and form no part of the claimed design.

(Continued)

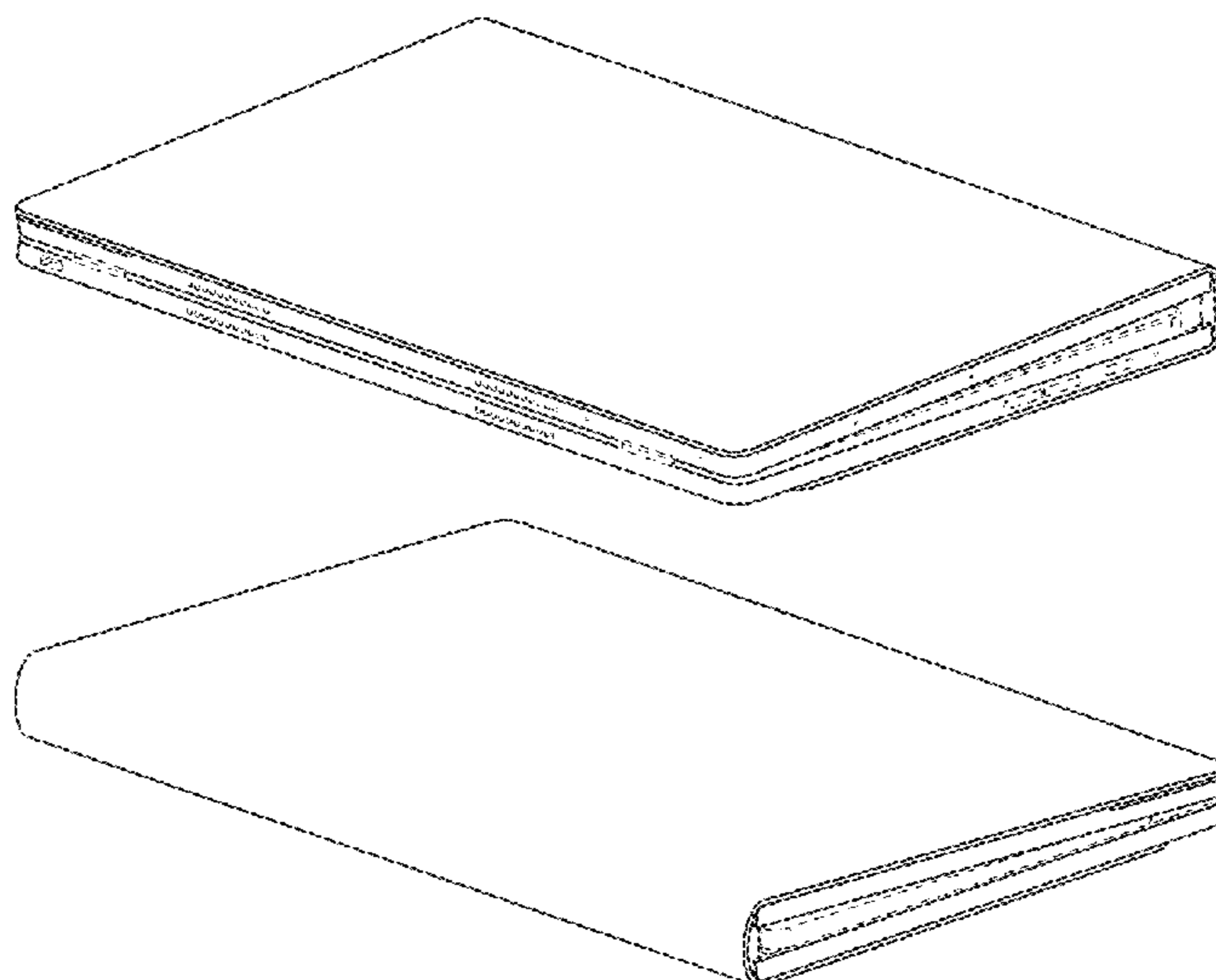
(56) **References Cited**

U.S. PATENT DOCUMENTS

D584,726 S \* 1/2009 Morita ..... D14/341  
D649,966 S \* 12/2011 Chiu ..... D14/341

(Continued)

**1 Claim, 3 Drawing Sheets**



(58) **Field of Classification Search**  
 CPC .... 3/0412; G06F 3/0416; H01M 10/44; F16M  
 11/10; F16M 11/02; H05K 7/1465; A45C  
 2011/002; A45C 2011/003; H04B 1/3888;  
 H04M 1/185  
 See application file for complete search history.

(56) **References Cited**

U.S. PATENT DOCUMENTS

D681,054 S \* 4/2013 Koh ..... D14/496  
 D696,693 S \* 12/2013 Kim ..... D14/496  
 D729,812 S \* 5/2015 Ahn ..... D14/440  
 D744,493 S 12/2015 Kim et al.  
 D749,571 S \* 2/2016 Park ..... D14/203.4  
 D749,573 S \* 2/2016 Park ..... D14/203.4  
 D750,063 S \* 2/2016 Chung ..... D14/341  
 D767,530 S \* 9/2016 Bae ..... D14/203.3  
 D779,481 S \* 2/2017 Jun ..... D14/341  
 D781,854 S \* 3/2017 Park ..... D14/203.4  
 D790,531 S 6/2017 Magi  
 D790,537 S \* 6/2017 Bae ..... D14/341  
 D791,725 S \* 7/2017 Lee ..... D14/138 G  
 D796,515 S 9/2017 Kim et al.  
 D800,112 S \* 10/2017 Park ..... D14/341  
 D808,949 S 1/2018 Zuniga et al.  
 9,857,849 B1 1/2018 Siddiqui et al.  
 D814,455 S 4/2018 Kwon  
 D815,088 S 4/2018 Fujimoto  
 9,947,883 B2 4/2018 Choi et al.  
 RE46,812 E 5/2018 Sohn et al.  
 D825,513 S 8/2018 Seo et al.  
 D826,203 S 8/2018 Seo et al.  
 D826,889 S 8/2018 Seo et al.  
 D827,604 S \* 9/2018 Seo ..... D14/138 AD  
 D828,318 S 9/2018 Seo et al.  
 D828,319 S 9/2018 Seo et al.  
 D833,431 S 11/2018 Bae et al.  
 D842,834 S 3/2019 Seo et al.  
 D901,426 S \* 11/2020 Lee ..... D14/138 AD  
 10,838,467 B1 11/2020 Mehandjiysky et al.  
 10,890,951 B1 1/2021 Watamura et al.  
 D910,009 S 2/2021 Wu et al.  
 D910,622 S \* 2/2021 Lee ..... D14/341  
 D912,662 S 3/2021 Kurma Raju et al.  
 D915,335 S 4/2021 Lee et al.  
 D915,336 S 4/2021 Lee et al.  
 D915,337 S 4/2021 Lee et al.  
 D930,609 S \* 9/2021 Chen ..... D14/138 AB  
 D933,058 S \* 10/2021 Makinen ..... D14/440  
 D939,466 S 12/2021 Chen et al.  
 11,275,410 B1 3/2022 Hosokai et al.  
 D947,844 S 4/2022 Lee  
 D949,147 S 4/2022 Lee  
 D955,381 S 6/2022 Yamazaki et al.  
 2019/0045646 A1 \* 2/2019 Brand ..... H05K 5/0226  
 2019/0196541 A1 6/2019 O'Neil et al.  
 2020/0128687 A1 4/2020 Ku et al.  
 2020/0348732 A1 11/2020 Kang et al.  
 2021/0034110 A1 2/2021 Hambrugen et al.  
 2021/0076511 A1 3/2021 Yang et al.  
 2021/0141422 A1 5/2021 Seo et al.  
 2021/0149514 A1 5/2021 Ko et al.  
 2021/0191468 A1 6/2021 Nakamura et al.  
 2021/0240232 A1 8/2021 Cheng et al.

2021/0247803 A1 8/2021 Liu  
 2021/0263564 A1 8/2021 Chen et al.  
 2021/0303034 A1 9/2021 Delaporte  
 2021/0365066 A1 11/2021 Kinoshita et al.  
 2021/0397220 A1 12/2021 Hendren et al.  
 2021/0405706 A1 12/2021 Min  
 2021/0407339 A1 12/2021 Feng  
 2022/0083098 A1 3/2022 Hosokai et al.  
 2022/0091635 A1 3/2022 Ou et al.  
 2022/0093014 A1 3/2022 Kishimoto et al.  
 2022/0171431 A1 6/2022 Voutsas et al.  
 2022/0197341 A1 6/2022 Delaporte  
 2022/0197347 A1 6/2022 Delaporte  
 2022/0197351 A1 6/2022 Delaporte  
 2022/0197427 A1 6/2022 Delaporte  
 2022/0206579 A1 6/2022 Woo et al.

FOREIGN PATENT DOCUMENTS

KR 300750697.0000 7/2017  
 KR 300838109.0000 2/2019

OTHER PUBLICATIONS

Asus announces a massive 17-inch Windows tablet with a folding screen, first available Jan. 5, 2022, pcworld.com, [online], [site visited Mar. 28, 2022], Available from internet URL: <https://www.pcworld.com/article/562396/asus-announces-a-massive-17-inch-windows-tablet-with-a-folding-screen.html> (Year: 2022).\*

ThinkPad X1 Fold (13") PC, first available Jun. 20, 2022, lenovo.com, [online], [site visited Mar. 28, 2022], Available from internet URL: <https://www.lenovo.com/us/en/p/laptops/thinkpad/thinkpadx1/x1-fold-g1/22tp2x1x1f1> (Year: 2022).\*

Xiaomi Foldable Tablet Allegedly Revealed in the Latest Hands-on Video Might Show What Company Is up to This Year, first available Jan. 3, 2019, wccfttech.com, [online], [site visited Mar. 28, 2022], Available from internet URL: <https://wccfttech.com/xiaomi-foldable-tablet-hands-on-video/> (Year: 2019).\*

Lenovo, The Think Pad X1Fold from Lenovo, last retrieved on Jul. 9, 2020, 1 page.

Dunn, "Should you buy Samsung's \$2999 book-like foldable smartphone?," Nine Digital Pty Ltd, Nov. 15, 2019, [https://www.9news.com.au/technology/samsung-galaxy-fold-review-australia-price-release-date-specs-news-update/7bbc03cd-b577-4e8f-8cf9-9892f5601c7f] retrieved on Oct. 6, 2022, 5 pages.

Mehta, "Intel's Horseshoe Bend PC is a foldable laptop with a massive 17.3" screen, XDA Developers, Jan. 7, 2020, [https://www.xda-developers.com/intel-tiger-lake-horseshoe-bend-foldable-pc-laptop/] retrieved on Oct. 6, 2022, 11 pages.

United States Patent and Trademark Office, "Non-Final Office Action," issued in connection with U.S. Appl. No. 29/724,751, dated Sep. 1, 2021, 10 pages.

United States Patent and Trademark Office, "Final Office Action," issued in connection with U.S. Appl. No. 29/724,751, dated Apr. 12, 2022, 8 pages.

United States Patent and Trademark Office, "Notice of Allowance and Fee(s) Due," issued in connection with U.S. Appl. No. 29/724,751, dated Aug. 24, 2022, 7 pages.

United States Patent and Trademark Office, "Non-Final Office action," issued in connection with U.S. Appl. No. 29/724,751, dated Mar. 7, 2023, 5 pages.

\* cited by examiner

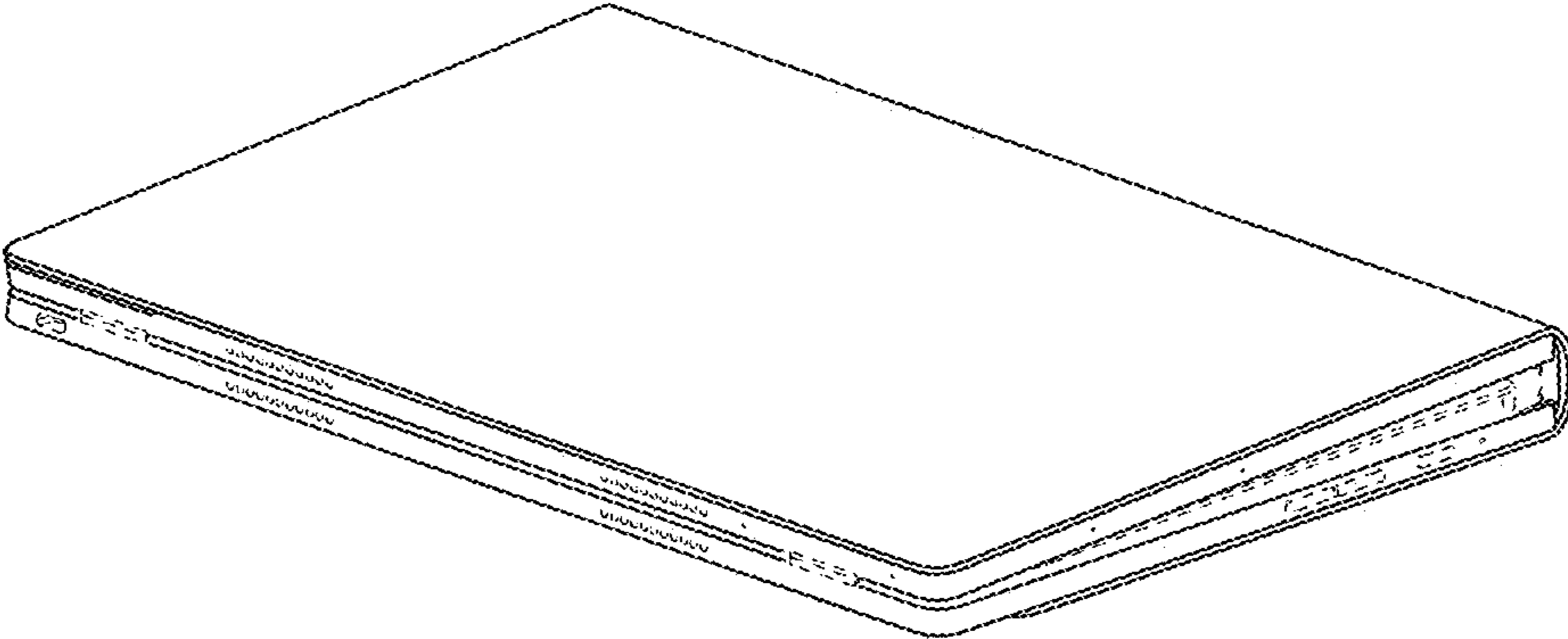


FIG. 1

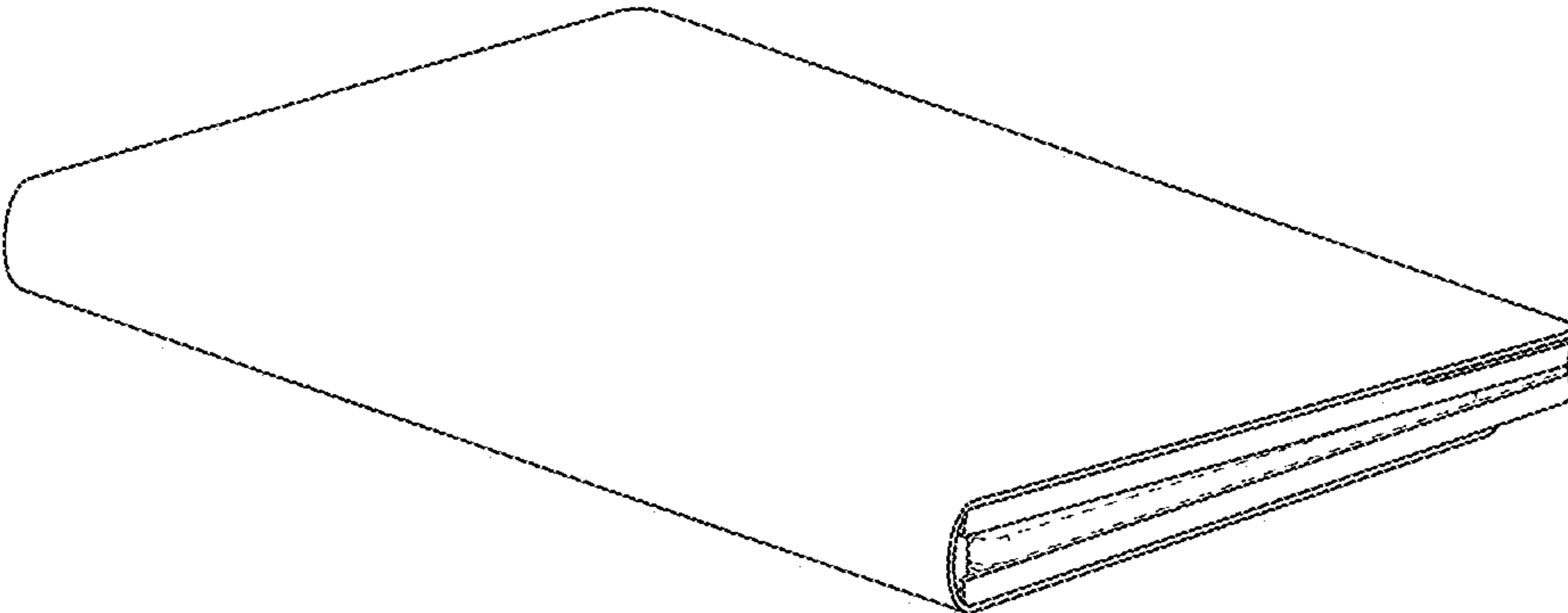


FIG. 2

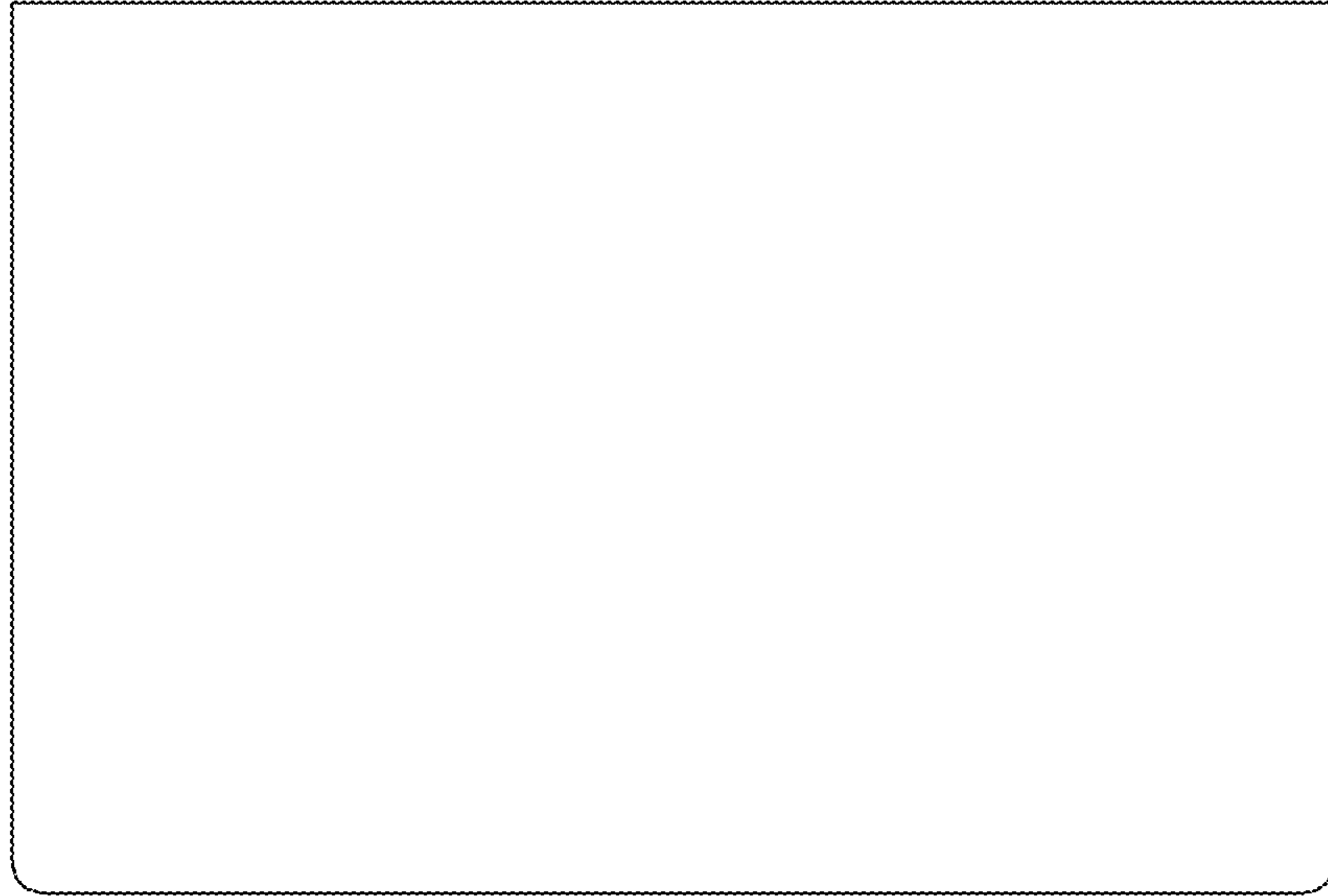


FIG. 3



FIG. 4

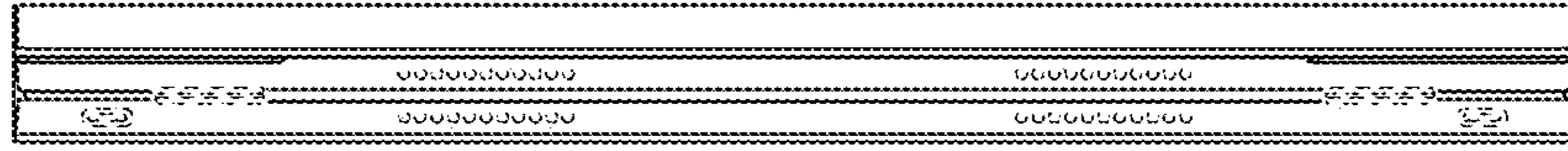


FIG. 5



FIG. 6

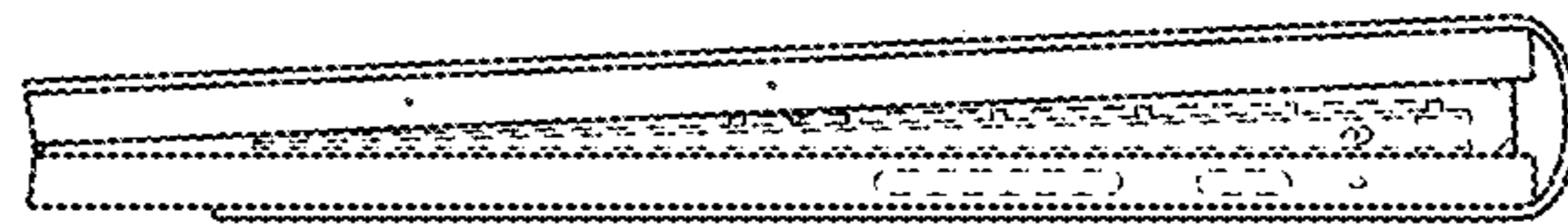


FIG. 7

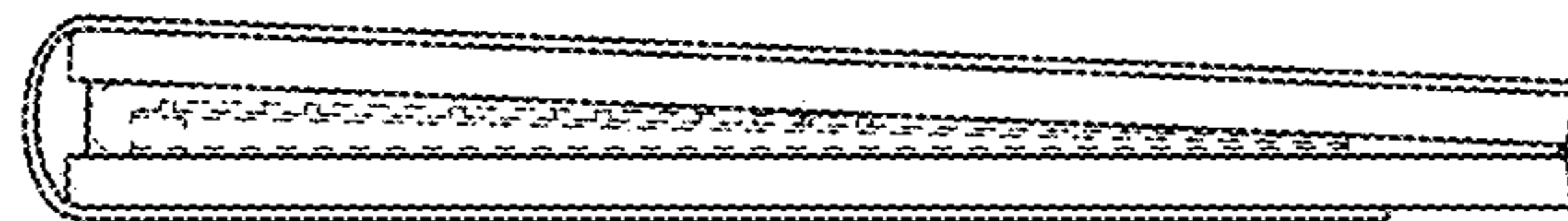


FIG. 8