



US00D987620S

(12) **United States Design Patent** (10) **Patent No.:** **US D987,620 S**
Andre et al. (45) **Date of Patent:** **** *May 30, 2023**

(54) **PORTABLE COMPUTER**

(71) Applicant: **Apple Inc.**, Cupertino, CA (US)

(72) Inventors: **Bartley K. Andre**, Palo Alto, CA (US); **Daniel J. Coster**, San Francisco, CA (US); **Daniele De Iuliis**, San Francisco, CA (US); **M. Evans Hankey**, San Francisco, CA (US); **Richard P. Howarth**, San Francisco, CA (US); **Jonathan P. Ive**, San Francisco, CA (US); **Steven P. Jobs**, Palo Alto, CA (US); **Duncan Robert Kerr**, San Francisco, CA (US); **Shin Nishibori**, Kailua, HI (US); **Matthew Dean Rohrbach**, San Francisco, CA (US); **Peter Russell-Clarke**, San Francisco, CA (US); **Douglas B. Satzger**, Menlo Park, CA (US); **Christopher J. Stringer**, Woodside, CA (US); **Eugene Antony Whang**, San Francisco, CA (US); **Rico Zörkendörfer**, San Francisco, CA (US)

(73) Assignee: **Apple Inc.**, Cupertino, CA (US)

(*) Notice: This patent is subject to a terminal disclaimer.

(**) Term: **15 Years**

(21) Appl. No.: **29/777,312**

(22) Filed: **Apr. 5, 2021**

Related U.S. Application Data

(60) Continuation of application No. 29/656,052, filed on Jul. 10, 2018, now Pat. No. Des. 915,392, which is a (Continued)

(51) **LOC (14) Cl.** **14-02**

(52) **U.S. Cl.**
USPC **D14/318**

(58) **Field of Classification Search**

USPC D14/315, 318, 320-327, 333-335, D14/338-340; D18/1, 2, 7, 11, 12.2, D18/12.3

(Continued)

(56) **References Cited**

U.S. PATENT DOCUMENTS

D264,969 S 6/1982 McGourty
4,976,435 A 12/1990 Shatford et al.

(Continued)

OTHER PUBLICATIONS

Sony X505 Keyboard, available at least as early as May 8, 2005.
(Continued)

Primary Examiner — Katherine Glennon

(74) *Attorney, Agent, or Firm* — Saidman DesignLaw Group, LLC

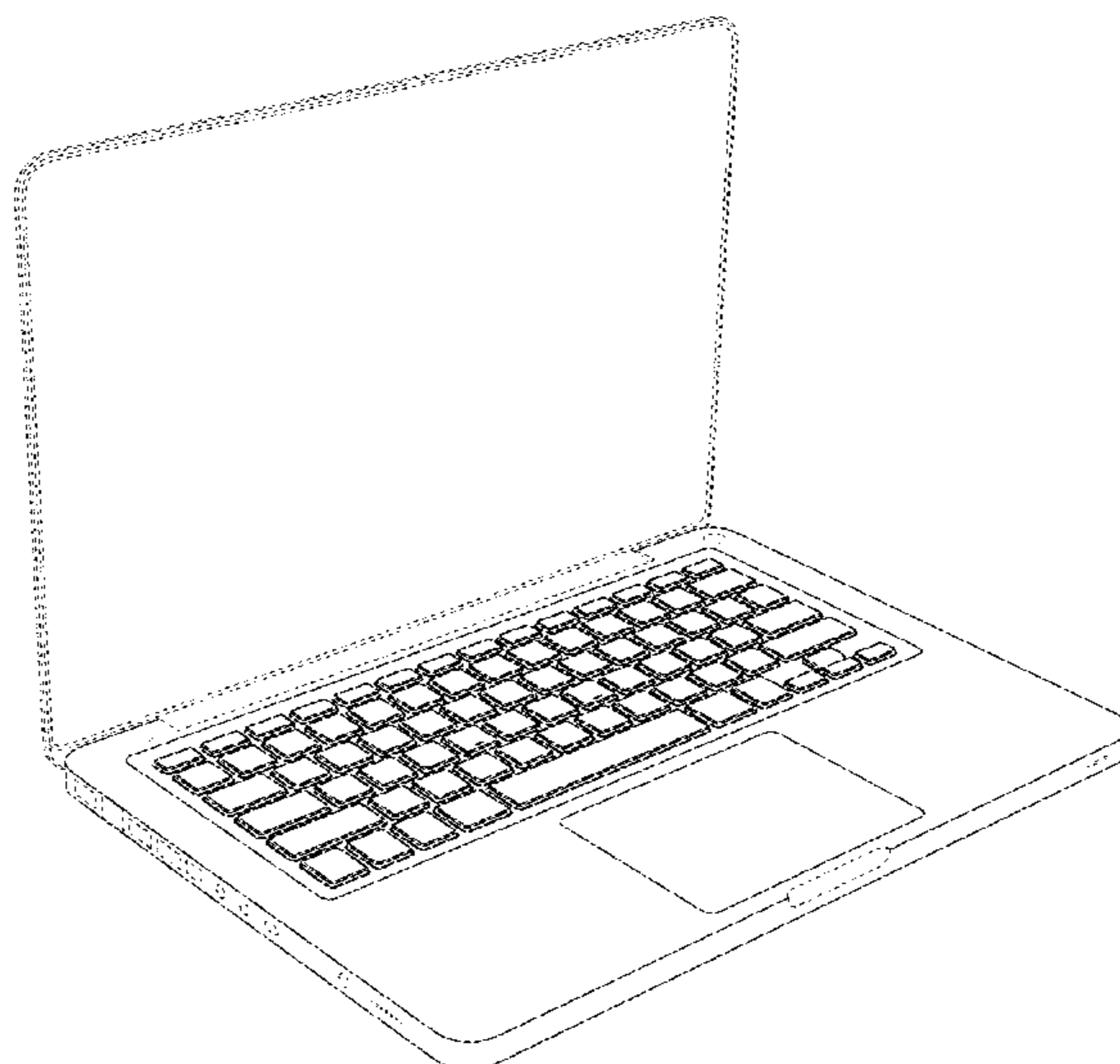
(57) **CLAIM**

The ornamental design for a portable computer, as shown and described.

DESCRIPTION

FIG. 1 is a front, top perspective view of a portable computer showing our new design;
FIG. 2 is front view thereof;
FIG. 3 is a rear view thereof;
FIG. 4 is a left side view thereof;
FIG. 5 is a right side view thereof;
FIG. 6 is a top view thereof;
FIG. 7 is a bottom view thereof; and,
FIG. 8 is a bottom front perspective view thereof.
The broken lines show portions of the portable computer that form no part of the claimed design.

1 Claim, 7 Drawing Sheets



Related U.S. Application Data

continuation of application No. 29/569,810, filed on Jun. 30, 2016, now Pat. No. Des. 825,552, which is a continuation of application No. 29/515,409, filed on Jan. 22, 2015, now Pat. No. Des. 761,785, which is a continuation of application No. 29/459,366, filed on Jun. 28, 2013, now Pat. No. Des. 723,539, which is a continuation of application No. 29/440,181, filed on Dec. 19, 2012, now Pat. No. Des. 692,876, which is a continuation of application No. 29/415,258, filed on Mar. 8, 2012, now Pat. No. Des. 674,382, which is a continuation of application No. 29/402,519, filed on Sep. 23, 2011, now Pat. No. Des. 657,786, which is a continuation of application No. 29/396,081, filed on Jun. 24, 2011, now Pat. No. Des. 648,334, which is a continuation of application No. 29/384,006, filed on Jan. 25, 2011, now Pat. No. Des. 648,333, which is a continuation of application No. 29/366,369, filed on Jul. 23, 2010, now Pat. No. Des. 633,087, which is a continuation of application No. 29/351,847, filed on Dec. 11, 2009, now Pat. No. Des. 623,645, which is a continuation of application No. 29/337,518, filed on May 22, 2009, now Pat. No. Des. 606,988, which is a division of application No. 29/326,309, filed on Oct. 15, 2008, now Pat. No. Des. 604,292, which is a continuation of application No. 29/326,082, filed on Oct. 10, 2008, now Pat. No. Des. 604,290.

- (58) **Field of Classification Search**
 CPC G06F 1/1616; G06F 1/1637; G06F 1/1662
 See application file for complete search history.

(56) **References Cited**

U.S. PATENT DOCUMENTS

5,192,082 A 3/1993 Inoue et al.
 D345,346 S 3/1994 Alfonso et al.
 D349,923 S 8/1994 Billings et al.
 D359,306 S 6/1995 Lande et al.
 D362,272 S 9/1995 Luong
 D362,461 S 9/1995 Luong
 D378,686 S 4/1997 Proctor et al.
 5,661,632 A 8/1997 Register
 D385,299 S 10/1997 Adams
 D386,521 S 11/1997 Eisenbaum
 D391,927 S 3/1998 Faranda et al.
 D396,452 S 7/1998 Naruki
 5,793,355 A 8/1998 Youens
 D399,526 S 10/1998 Brady
 D402,310 S 12/1998 Hendricks
 D410,028 S 5/1999 Fyffe
 D412,940 S 8/1999 Kato et al.
 5,964,661 A 10/1999 Dodge
 D416,238 S 11/1999 Irie et al.
 D425,558 S 5/2000 Tarpenning et al.
 D425,874 S 5/2000 Tanimura
 6,067,224 A 5/2000 Nobuchi
 D430,117 S 8/2000 Sachs et al.
 D430,169 S 8/2000 Scibora
 D431,821 S 10/2000 Mizuno
 6,166,737 A 12/2000 Lee et al.
 D437,860 S 2/2001 Suzuki et al.
 D445,787 S 7/2001 Francis
 6,254,477 B1 7/2001 Sasaki et al.
 D448,810 S 10/2001 Goto
 D449,606 S 10/2001 Lee et al.
 D450,713 S 11/2001 Masamitsu et al.
 D451,505 S 12/2001 Iseki et al.
 D452,250 S 12/2001 Chan
 D453,333 S 2/2002 Chen
 D458,252 S 6/2002 Palm et al.
 D463,797 S 10/2002 Andre et al.

D469,109 S 1/2003 Andre et al.
 D472,245 S 3/2003 Andre et al.
 D481,036 S 10/2003 Wentt
 6,657,854 B2 12/2003 Horii et al.
 D486,823 S 2/2004 Kuo
 D487,457 S 3/2004 Liu
 D487,742 S 3/2004 Huang et al.
 D489,717 S 5/2004 Hsieh
 D490,420 S 5/2004 Solomon et al.
 D491,177 S 6/2004 Andre et al.
 D491,933 S 6/2004 Guo
 D491,936 S 6/2004 Jao
 D493,785 S 8/2004 Andre et al.
 D494,164 S 8/2004 Wu et al.
 D497,618 S 10/2004 Andre et al.
 6,876,546 B2 4/2005 Tsao
 D504,889 S 5/2005 Andre et al.
 6,932,525 B2 8/2005 Trotman
 D512,997 S 12/2005 Lee et al.
 D513,509 S 1/2006 Kawa
 D517,063 S 3/2006 Nakajima et al.
 7,035,665 B2 4/2006 Kido et al.
 D523,429 S 6/2006 Lin
 D524,306 S 7/2006 Yun et al.
 D526,999 S 8/2006 Tago
 D527,730 S 9/2006 Dong
 D529,907 S 10/2006 Dong
 D547,310 S 7/2007 Yoon
 D556,192 S 11/2007 Jeong et al.
 D558,752 S 1/2008 Andre et al.
 D558,753 S 1/2008 Andre et al.
 D571,364 S 6/2008 Andre et al.
 D572,246 S 7/2008 Andre et al.
 D572,247 S 7/2008 Andre et al.
 D574,378 S 8/2008 Andre et al.
 D581,411 S 11/2008 Kumano
 D589,507 S 3/2009 Andre et al.
 D600,688 S * 9/2009 Andre D14/327
 D601,556 S 10/2009 Iseki
 D604,290 S 11/2009 Andre et al.
 D604,291 S 11/2009 Andre et al.
 D604,292 S 11/2009 Andre et al.
 D604,293 S 11/2009 Andre et al.
 D604,294 S 11/2009 Andre et al.
 D606,988 S 12/2009 Andre et al.
 D606,989 S 12/2009 Andre et al.
 D611,043 S 3/2010 Andre et al.
 D611,044 S 3/2010 Andre et al.
 D611,045 S 3/2010 Andre et al.
 D611,469 S 3/2010 Andre et al.
 D612,843 S 3/2010 Andre et al.
 D616,880 S 6/2010 Andre et al.
 D616,881 S 6/2010 Andre et al.
 D617,789 S * 6/2010 Akana D14/318
 D621,409 S 8/2010 Andre et al.
 D621,824 S * 8/2010 Andre D14/315
 D623,645 S 9/2010 Andre et al.
 D625,716 S 10/2010 Andre et al.
 D625,717 S 10/2010 Andre et al.
 D633,087 S 2/2011 Andre et al.
 D633,907 S 3/2011 Andre et al.
 D635,566 S 4/2011 Andre et al.
 D639,295 S 6/2011 Andre et al.
 D642,172 S * 7/2011 Akana D14/318
 D642,560 S * 8/2011 Akana D14/318
 D648,333 S 11/2011 Andre et al.
 D648,334 S 11/2011 Andre et al.
 D655,704 S * 3/2012 Akana D14/318
 D657,786 S 4/2012 Andre et al.
 D674,382 S 1/2013 Andre et al.
 D676,438 S * 2/2013 Akana D14/318
 D685,368 S * 7/2013 Lam D14/315
 D687,030 S * 7/2013 Andre D14/318
 D702,224 S 4/2014 Matsuoka
 D710,841 S * 8/2014 Akana D14/318
 D717,790 S 11/2014 Kim et al.
 D719,149 S * 12/2014 Matsuoka D14/318
 D723,539 S 3/2015 Andre et al.
 D727,314 S 4/2015 Fukuoka

(56)

References Cited

U.S. PATENT DOCUMENTS

D761,785	S	7/2016	Andre et al.	
D766,233	S	9/2016	Lam et al.	
D793,382	S	8/2017	Park et al.	
D810,069	S	2/2018	Hishiki	
D888,048	S *	6/2020	Akana	D14/315
D924,227	S *	7/2021	Akana	D14/318
2005/0008418	A1	1/2005	Green	
2005/0018396	A1	1/2005	Nakajima et al.	
2005/0041378	A1	2/2005	Hamada et al.	
2005/0180794	A1	8/2005	Parkinson	
2005/0207817	A1	9/2005	Jenkins	
2006/0147239	A1	7/2006	Kurriss	
2006/0257191	A1	11/2006	Artus	
2007/0172287	A1	7/2007	Hirsch	
2011/0267757	A1	11/2011	Probst et al.	
2013/0170126	A1	7/2013	Lee	
2014/0002974	A1	1/2014	Kuo et al.	
2015/0253812	A1	9/2015	Chen et al.	

OTHER PUBLICATIONS

HP Compaq Tablet PC Tc 1100, http://web.archive.org/web/20040726084509/h_18000.www1.hp.com/products/tabletpc/, downloaded Aug. 27, 2004.
 Tablet PC V1100, <http://web.archive.org/web/20040714060448/www.viewsonic.com/products/desktopdisplays/tabletpc/tabletpcv1100/>, downloaded Aug. 27, 2004.

VIA Tablet PC Reference Design: The Digital Notepad, <http://www.via.com/en/initiatives/spearhead/information-pc/>, downloaded Aug. 27, 2004.
 ViewPad 1000, http://www.viewsonic.com/support/mobilewireless/tabletpc/viewpad1000_index.htm, downloaded Aug. 27, 2004.
 Photographs of Sony Vaio PCG-4G1L, available at least as early as May 8, 2006.
 Apple PowerBook G4 Titanium, available at least as early as Jan. 1, 2001.
 Apple PowerBook G4 Aluminum, available at least as early as Jan. 1, 2003.
 Apple MacBook Pro, available at least as early as Jan. 10, 2006.
 Apple MacBook Air, available Jan. 15, 2008, http://images.apple.com/macbookair/images/design_gal01_20080115.jpg.
 Apple MacBook Air, available Jan. 15, 2008, http://images.apple.com/macbookair/images/design_gal02_20080115.jpg.
 Apple MacBook Air, available Jan. 15, 2008, http://images.apple.com/macbookair/images/design_gal03_2008Q115.jpg.
 Apple MacBook Air, available Jan. 15, 2008, http://images.apple.com/macbookair/images/design_gal04_20080115.jpg.
 Apple MacBook Air, available Jan. 15, 2008, http://images.apple.com/macbookair/images/design_thinair20080115.
 Apple MacBook Air, available Jan. 15, 2008, http://images.apple.com/macbookair/images/design_displayair20080115.jpg.
 Apple MacBook Air, available Jan. 15, 2008, http://images.apple.com/macbookair/images/design_keyboardair20080115.jpg.
 Apple MacBook Air, available Jan. 15, 2008, http://images.apple.com/macbookair/images/design_gal08_20080115.jpg.
 Appendix in U.S. Appl. No. 29/201,636, entitled "Electronic Device" filed Mar. 17, 2004, now U.S. Pat. No. D. 504,889.

* cited by examiner

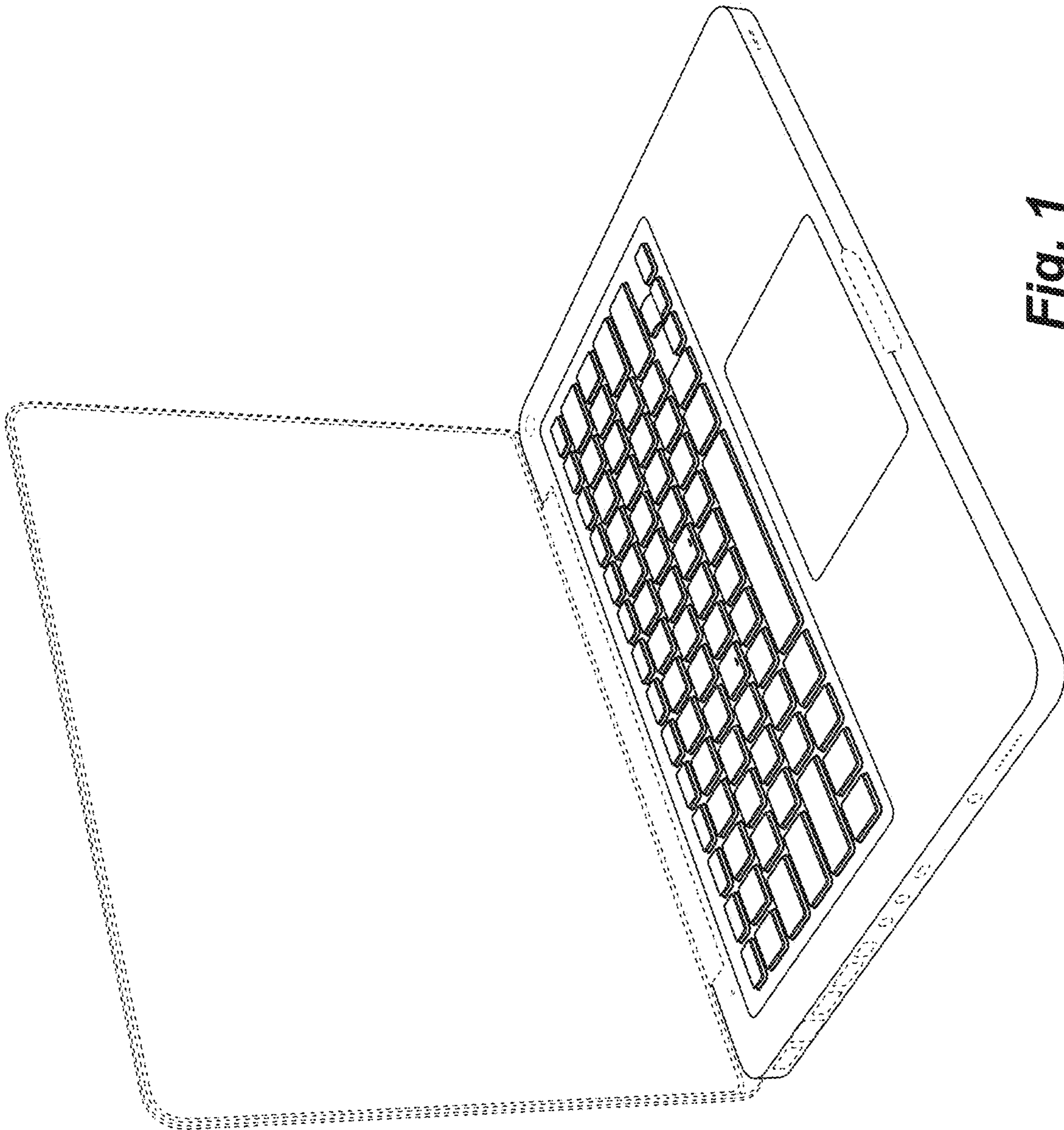


Fig. 1

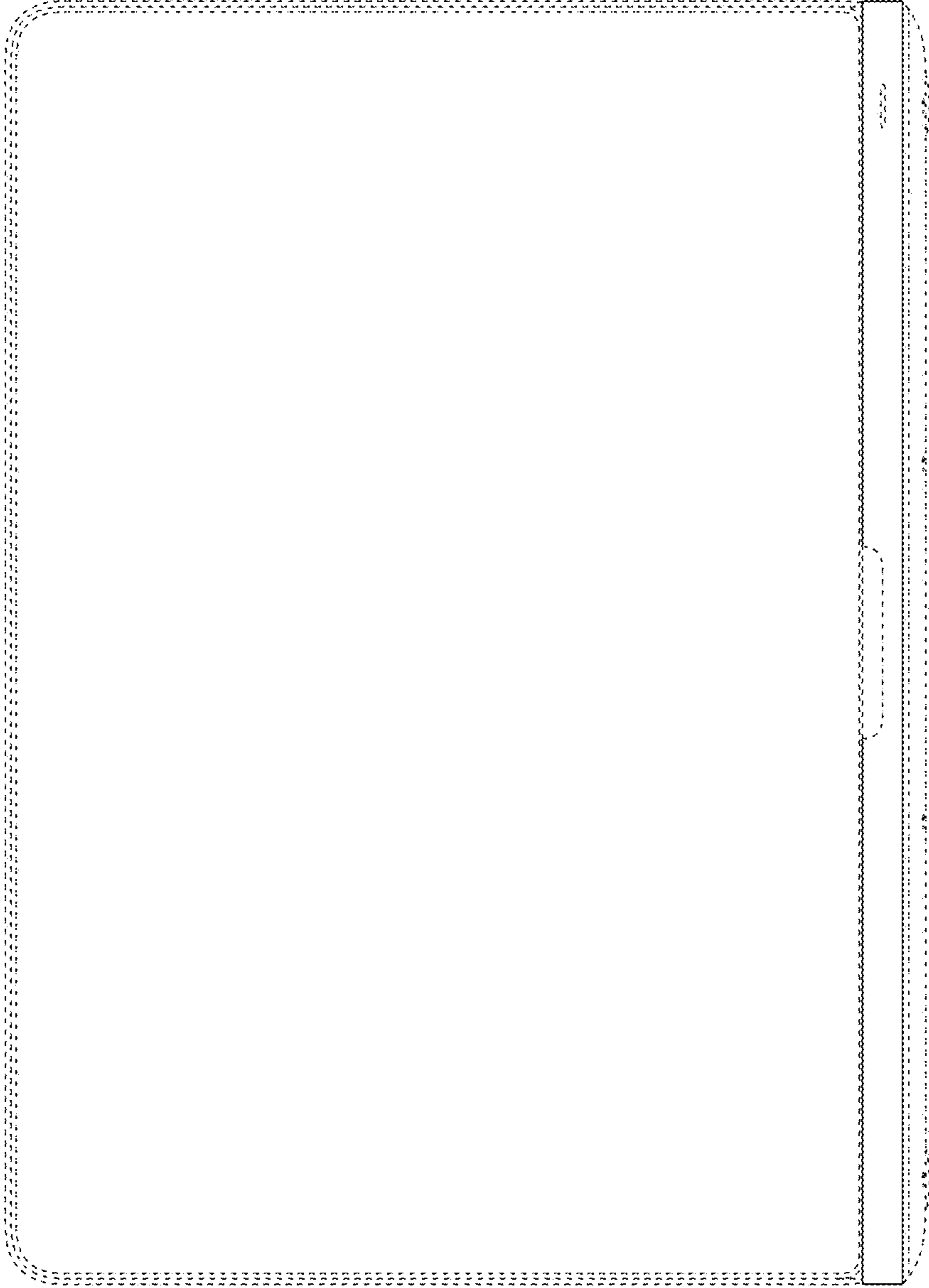


Fig. 2

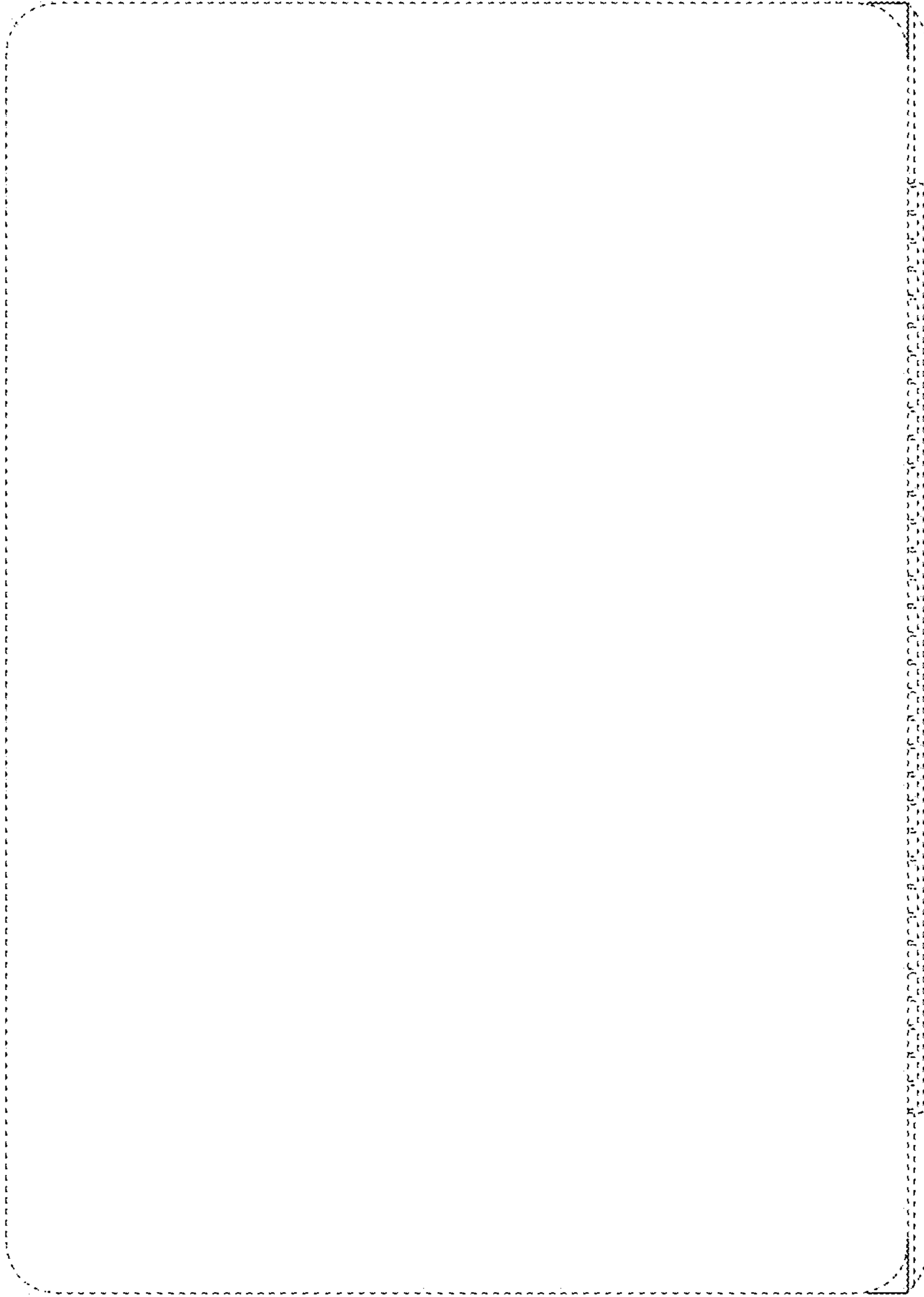


Fig. 3

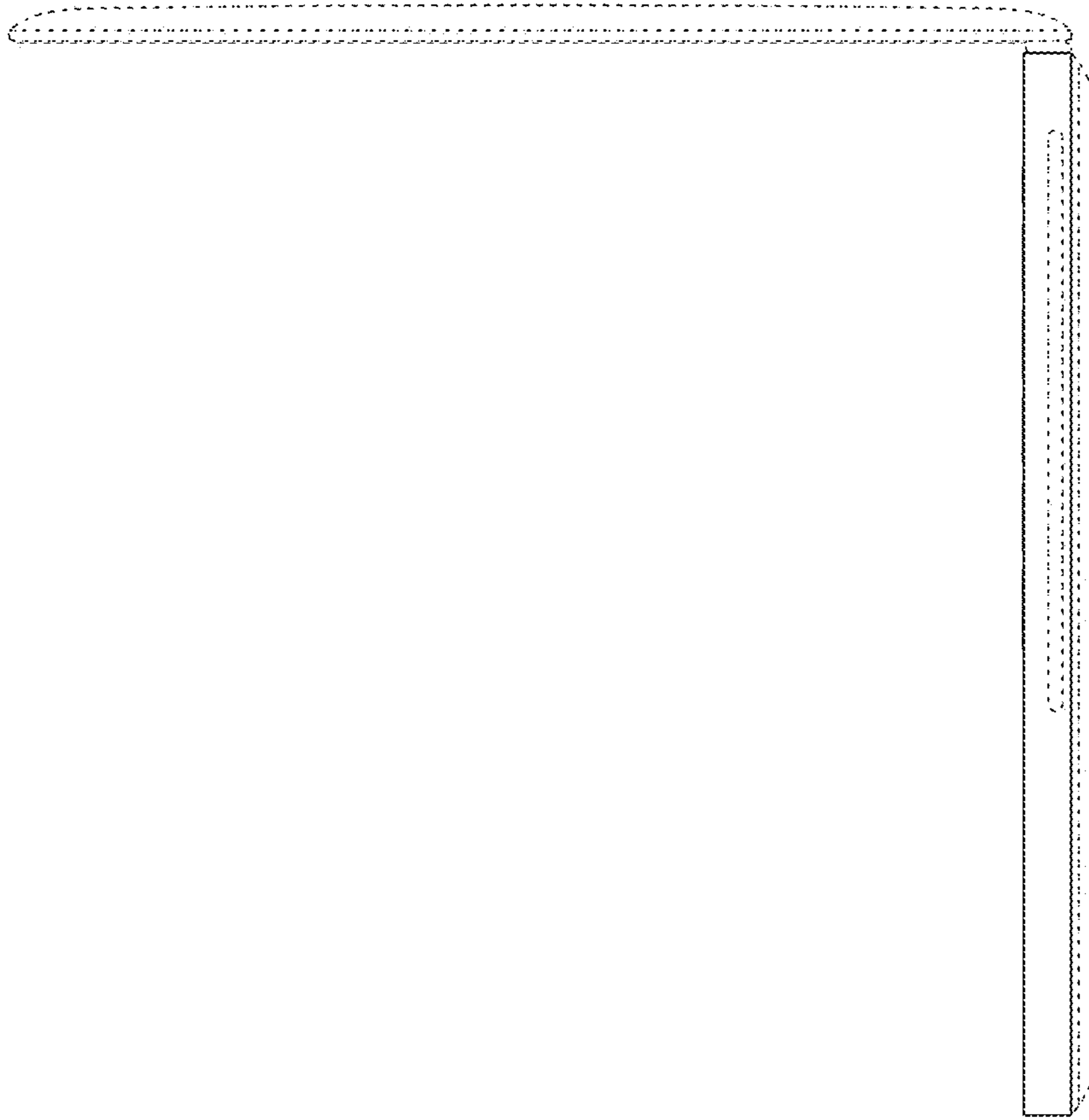


Fig. 5

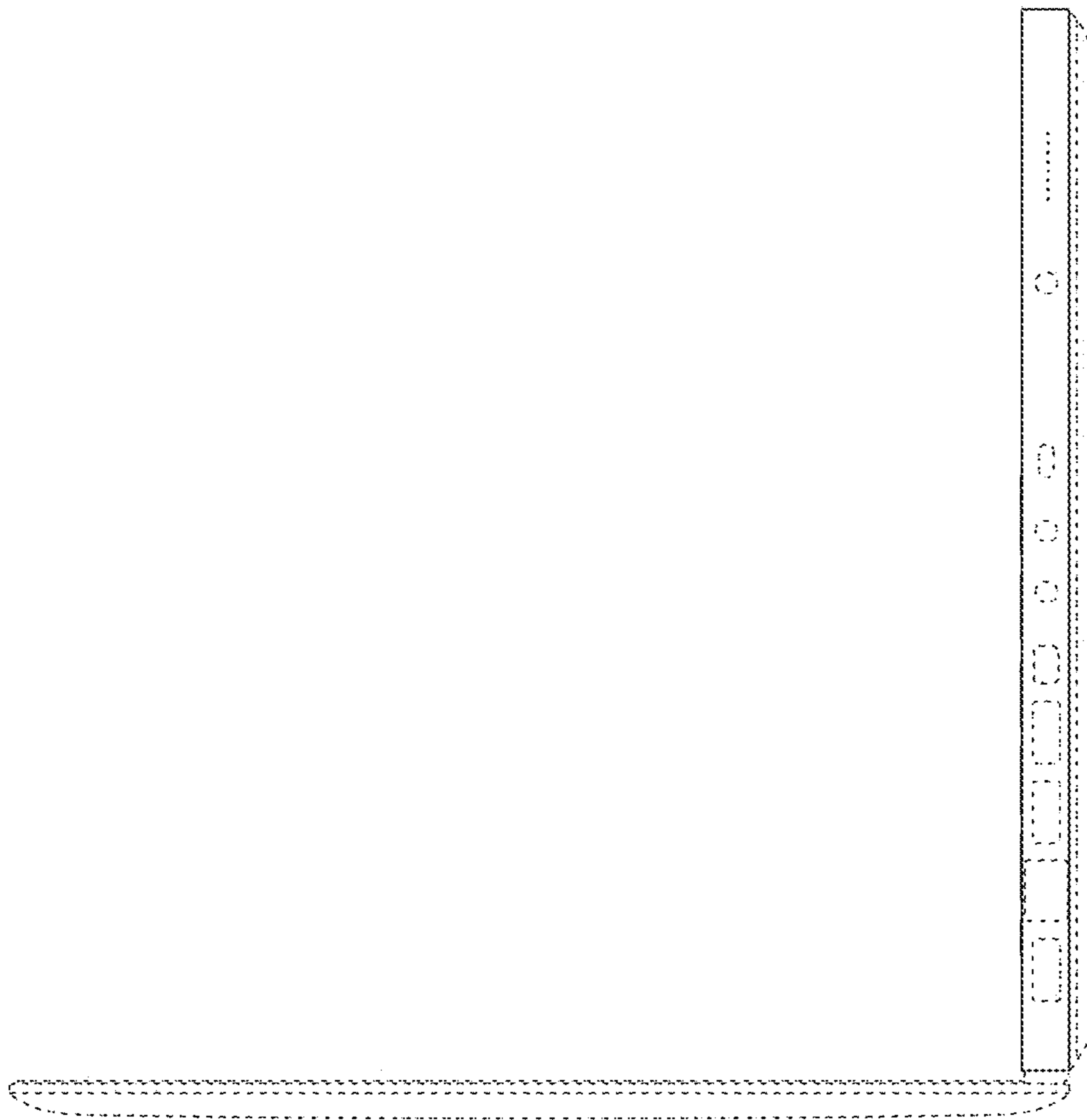


Fig. 4

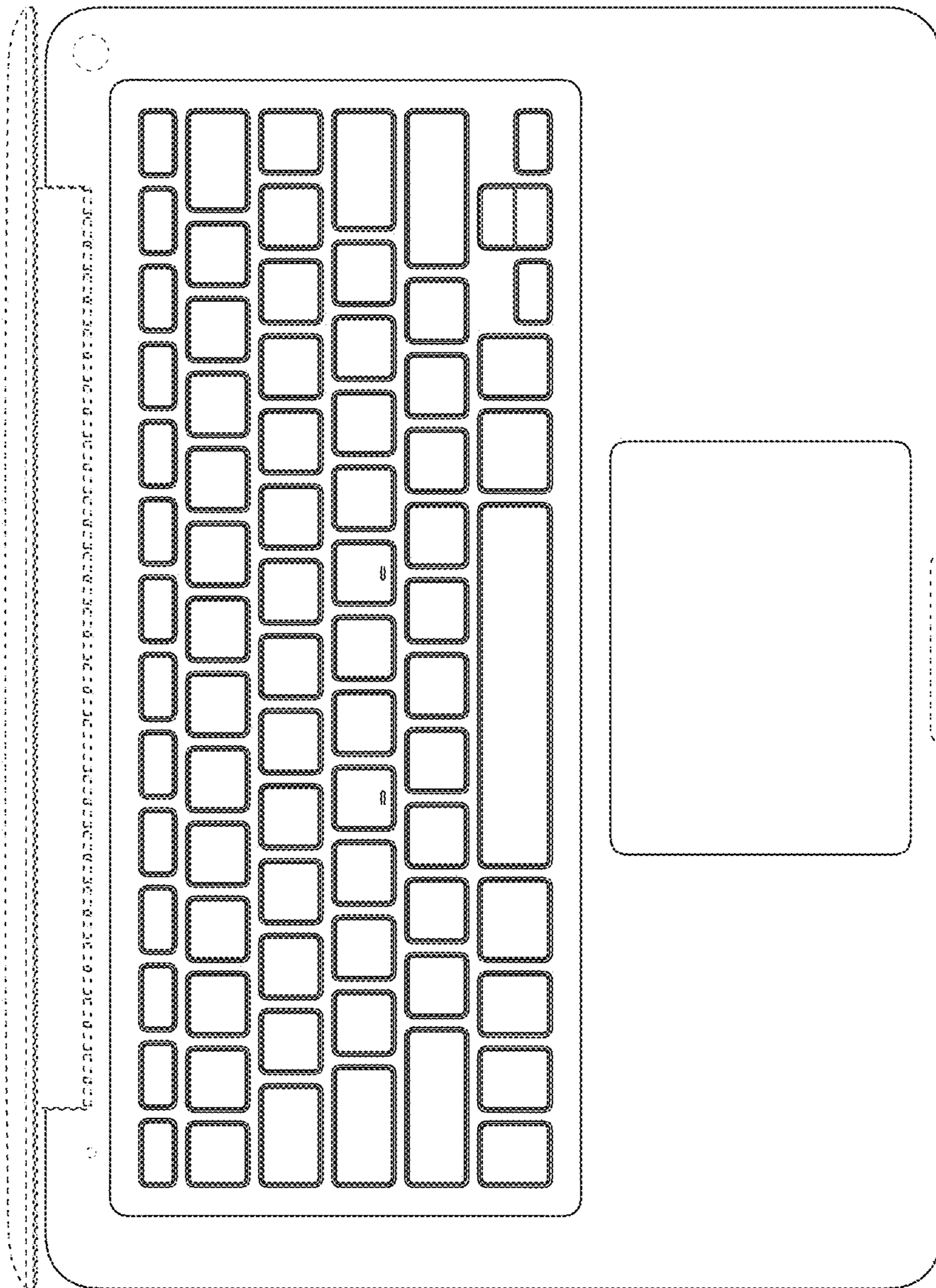


Fig. 6

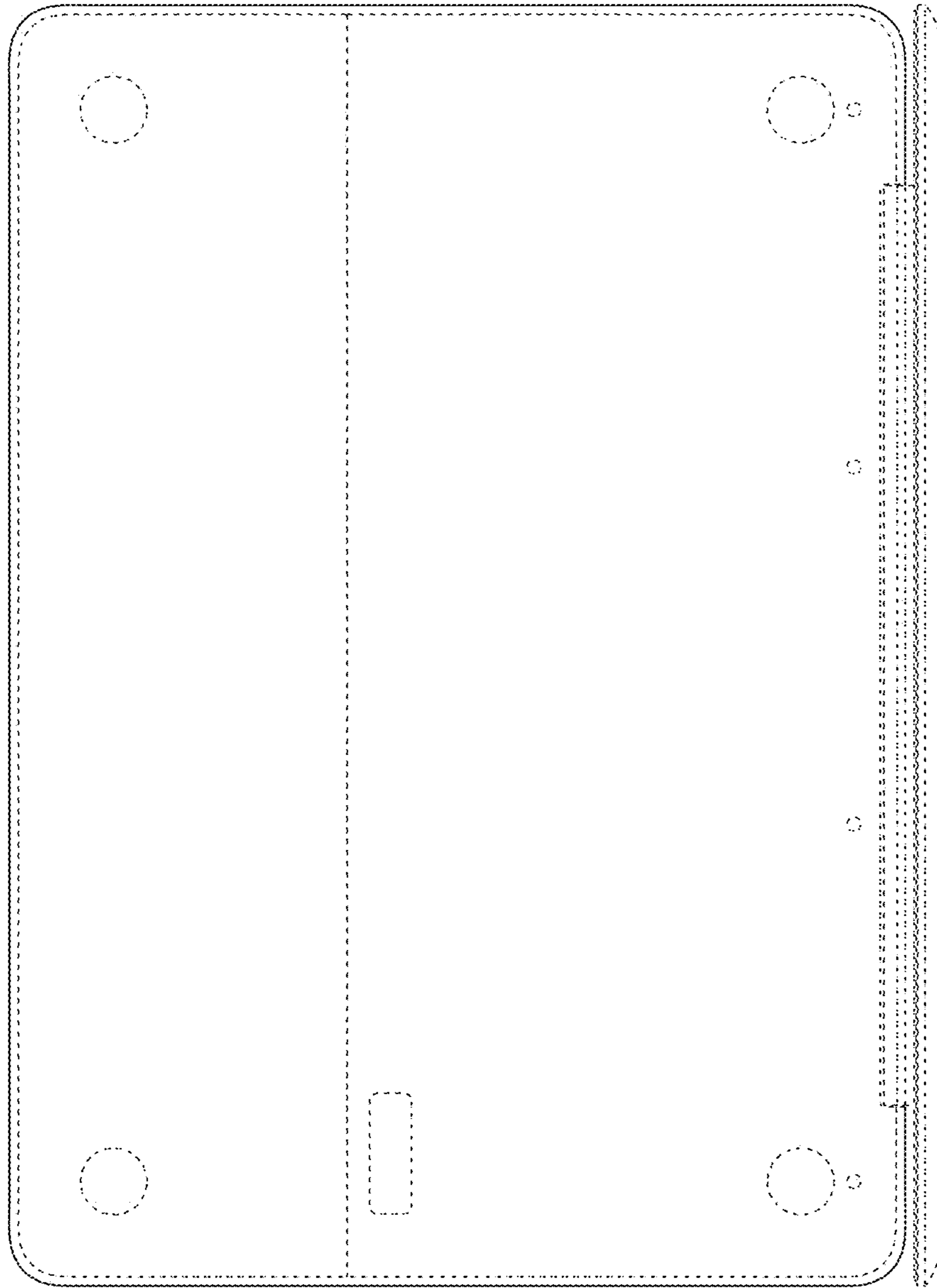


Fig. 7

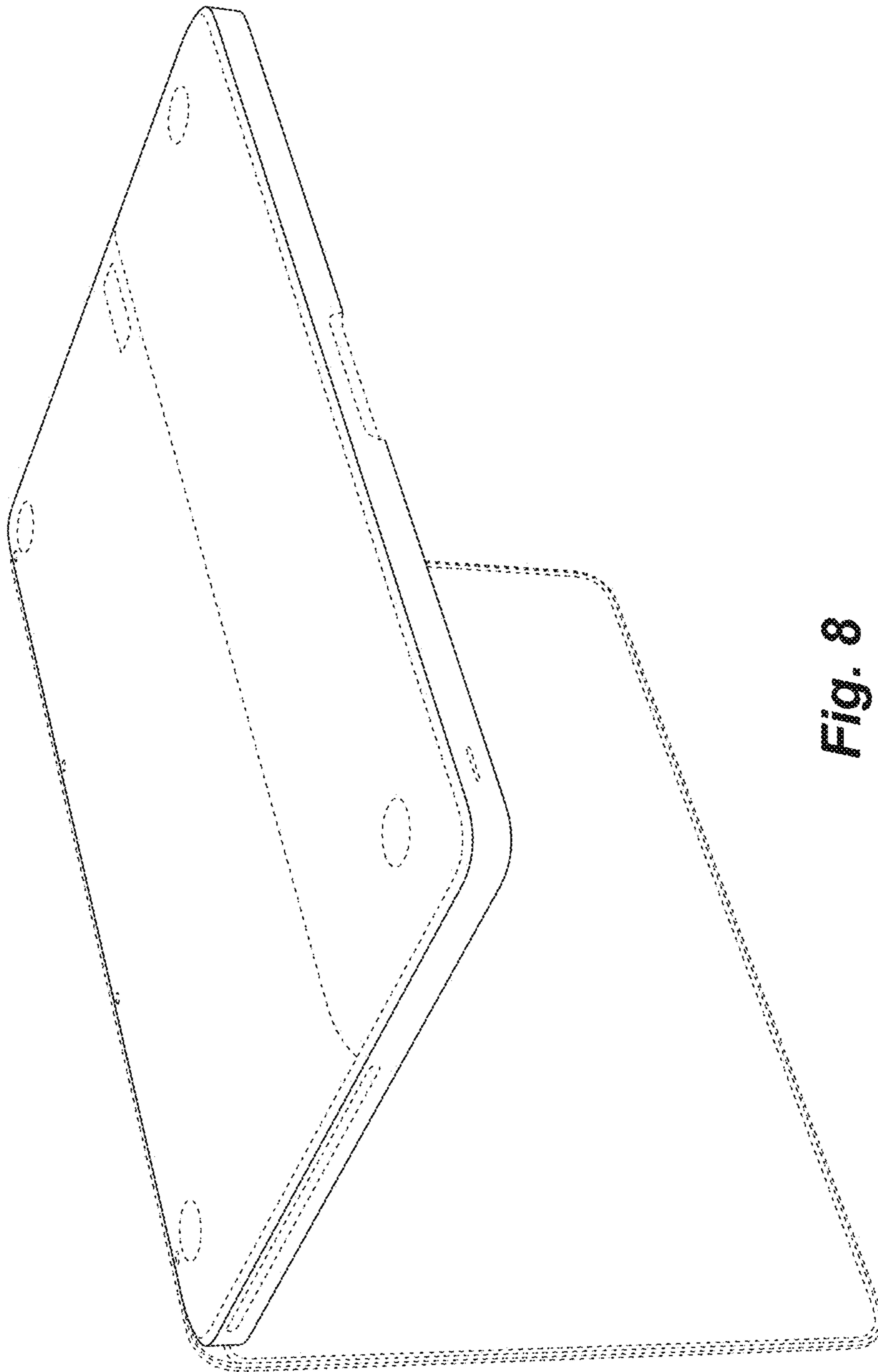


Fig. 8