



US00D987619S

(12) **United States Design Patent**
Fong et al.

(10) **Patent No.:** **US D987,619 S**
(45) **Date of Patent:** **** May 30, 2023**

(54) **INFORMATION HANDLING SYSTEM**

FOREIGN PATENT DOCUMENTS

(71) Applicant: **Dell Products L.P.**, Round Rock, TX
(US)

CN 305912712 * 7/2020
CN 305920779 * 7/2020

(Continued)

(72) Inventors: **Ya-San Fong**, Linkou District (TW);
Eid Beng Goh, Taipei (TW)

OTHER PUBLICATIONS

(73) Assignee: **Dell Products L.P.**, Round Rock, TX
(US)

Vostro 5410 Laptop, Dell, dell.com, author unlisted, published Nov. 24, 2021 per wayback machine © 2022 Dell, online, site visited Feb. 7, 2022. Available at URL: <https://www.dell.com/en-us/work/shop/dell-laptops-and-notebooks/vostro-5410-laptop/spd/vostro-14-5410-laptop/smv145w11p1c4010c> (Year: 2021).*

(**) Term: **15 Years**

(Continued)

(21) Appl. No.: **29/750,927**

(22) Filed: **Sep. 17, 2020**

Primary Examiner — Sandra Snapp

Assistant Examiner — Altaira J Swangin

(51) **LOC (14) Cl.** **14-02**

(74) *Attorney, Agent, or Firm* — Zagorin Cave LLP;

(52) **U.S. Cl.**

Robert W. Holland

USPC **D14/315**

(58) **Field of Classification Search**

(57) **CLAIM**

USPC D14/315, 323, 341, 371, 376, 432–433,
D14/439; D8/306, 321, 323, 325, 329;
D20/43

We claim the ornamental design for an information handling system, as shown and described.

CPC B41J 5/00; B41J 5/10; B41J 5/12; E05D
3/00; E05D 3/02; E05D 3/04

DESCRIPTION

See application file for complete search history.

FIG. 1 is a front perspective view of the information handling system comprising the present invention; FIG. 2 is a front elevation view thereof; FIG. 3 is a rear elevation view thereof; FIG. 4 is a right side view thereof; FIG. 5 is a left side view thereof; FIG. 6 is a top view thereof; and FIG. 7 is a bottom view thereof; FIG. 8 is a bottom perspective view thereof; FIG. 9 is a front perspective view thereof in an open position; and, FIG. 10 is a left side view thereof in an open position. Broken lines shown in the drawings illustrate portions of the information handling system and form no part of the claimed design.

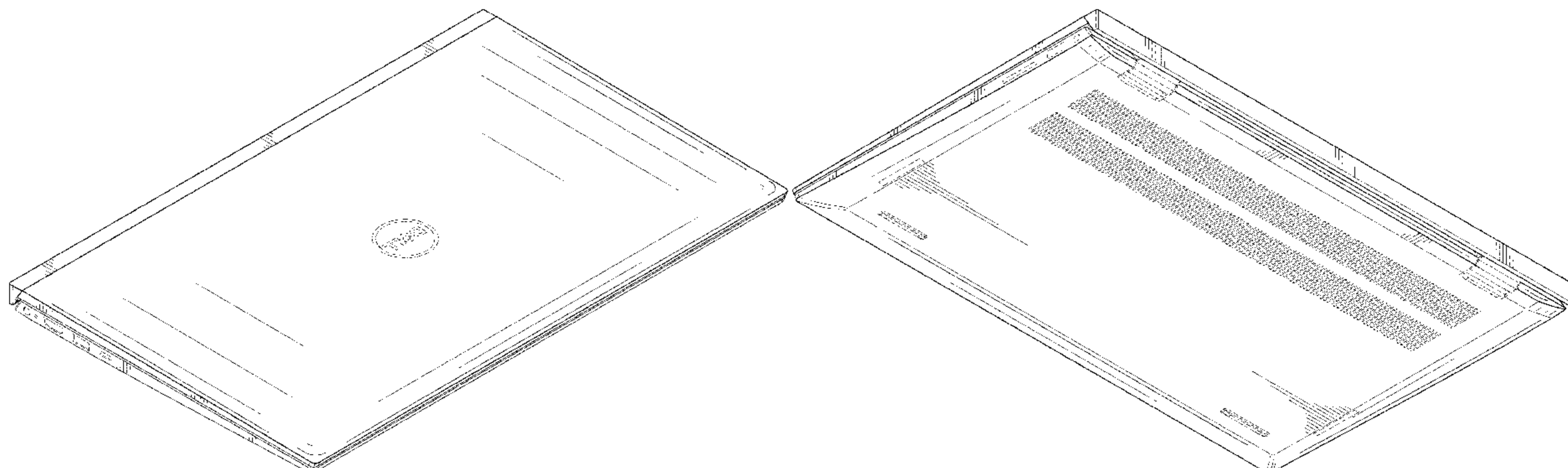
(56) **References Cited**

U.S. PATENT DOCUMENTS

D678,268	S	*	3/2013	O'Neil	D14/315
D678,269	S	*	3/2013	Lyles	D14/315
D703,202	S	*	4/2014	Jung	D14/327
D705,222	S		5/2014	Chang et al.		
D717,788	S	*	11/2014	Yun	D14/315
D717,790	S	*	11/2014	Kim	D14/315
D725,648	S		3/2015	Chang et al.		
D758,360	S	*	6/2016	Lyles	D14/315
D781,280	S		3/2017	Lyles et al.		
D781,282	S	*	3/2017	Hsu	D14/315
D813,859	S	*	3/2018	Oakley	D14/315

(Continued)

1 Claim, 8 Drawing Sheets



(56)

References Cited

U.S. PATENT DOCUMENTS

D813,861	S	*	3/2018	Goh	D14/315
D826,923	S	*	8/2018	Lee	D14/315
D835,095	S	*	12/2018	Goh	D14/315
D890,167	S	*	7/2020	Moon	D14/315
D909,367	S	*	2/2021	Lee	D14/315
D912,661	S	*	3/2021	Goh	D14/315
D914,669	S	*	3/2021	Lim	D14/315
D915,396	S	*	4/2021	Sheu	D14/327
D917,461	S	*	4/2021	DiLoreto	D14/327
D928,143	S	*	8/2021	Yeom	D14/315
D928,775	S	*	8/2021	Yeom	D14/315
D931,274	S	*	9/2021	Hwang	D14/315
D937,255	S	*	11/2021	Tu	D14/315
D942,444	S	*	2/2022	Chieh	D14/316

FOREIGN PATENT DOCUMENTS

CN	305996677	*	8/2020
CN	306196681	*	11/2020

OTHER PUBLICATIONS

ZenBook 15 Ultra-Slim Laptop, Asus, amazon.com, published by Asus, first available on Oct. 18, 2020 © 1996-2022 Amazon.com, Inc., online, site visited Mar. 12, 2022. Available at URL: <https://www.amazon.com/ASUS-Ultra-Slim-Innovative-Thunderbolt-UX535LI-XH77T/dp/B08NNFRVZV?th=1> (Year: 2020).*

www.amazon.com/ASUS-Ultra-Slim-Innovative-Thunderbolt-UX535LI-XH77T/dp/B08NNFRVZV?th=1 (Year: 2020).*

Prestige 14 EVO, MSI, us.msi.com, author unlisted, published on Sep. 7, 2020 per wayback machine © 2022 Micro-Star Int'l Co. Ltd., Inc., online, site visited Mar. 12, 2022. Available at URL: <https://us.msi.com/Business-Productivity/Prestige-14-Evo-A11X#Power%20Delivery> (Year: 2020).*

ZenBook 14 Ultra-Slim Laptop, Asus, amazon.com, published by Asus, first available on Jul. 21, 2020 © 1996-2022 Amazon.com, Inc., online, site visited Sep. 24, 2022. Available at URL: <https://www.amazon.com/ASUS-Ultra-Slim-i7-1065G7-Thunderbolt-UX425JA-EB71/dp/B088ZXMLPZ> (Year: 2020).*

Ultra-Slim Laptop, Gateway, amazon.com, published by Kimberly Gedeon on Sep. 12, 2020 © Future US, Inc., online, site visited Sep. 24, 2022. Available at URL: <https://www.laptopmag.com/news/gateway-returns-with-a-herd-of-laptops-and-were-udderly-shocked> (Year: 2020).*

Ultra-Slim Notebook, Gateway, gatewayusa.com, author unlisted, published on Sep. 14, 2020 per wayback machine © 2018 Gateway, online, site visited Sep. 24, 2022. Available at URL: <https://www.gatewayusa.com/GWTN141-4.html> (Year: 2020).*

U.S. Appl. No. 29/751,538, filed Sep. 22, 2020, entitled "Information Handling System," by inventors Jihun Yeom et al.

U.S. Appl. No. 29/723,514, filed Feb. 7, 2020, entitled "Portable Information Handling System," by inventors Jihun Yeom et al.

* cited by examiner

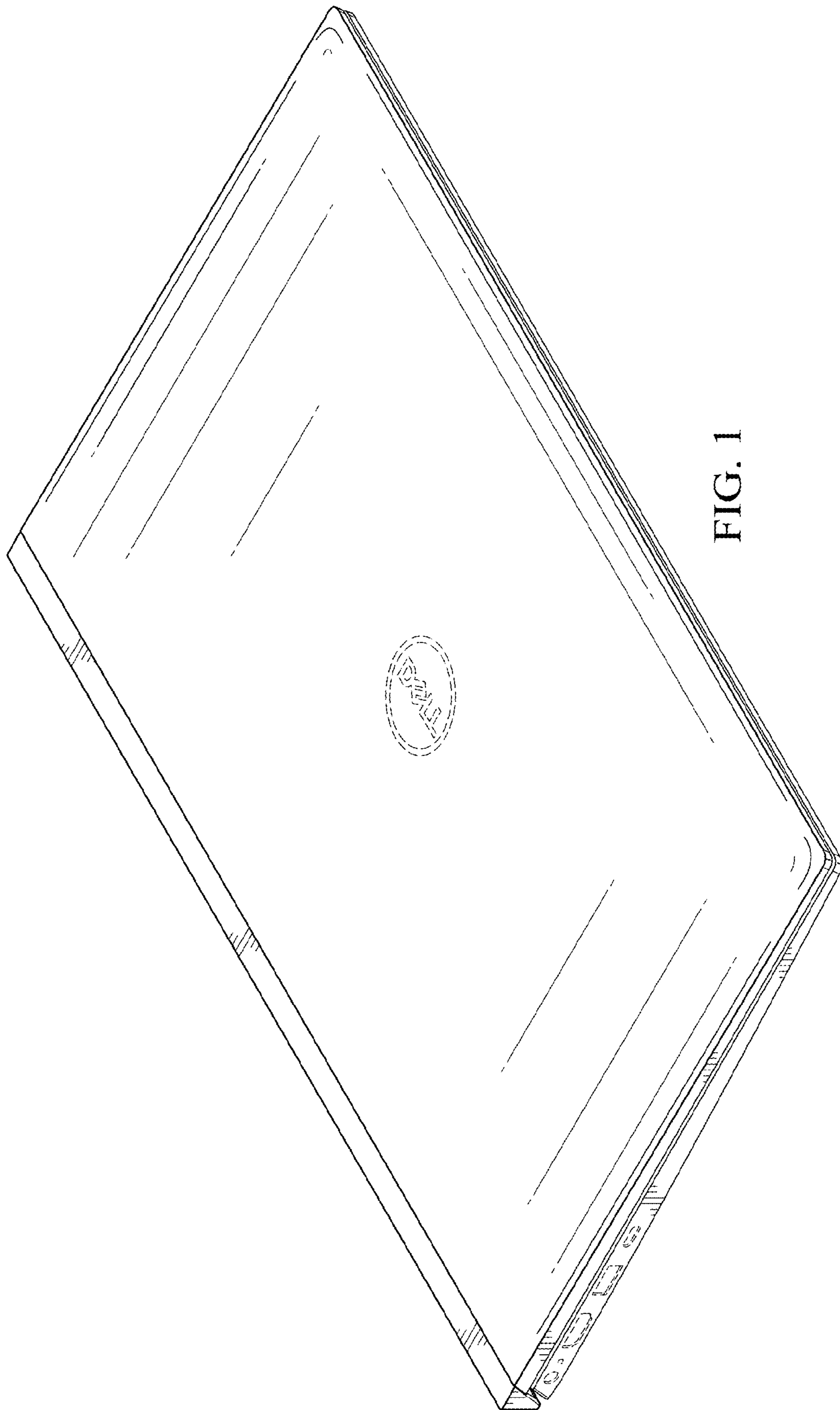


FIG. 1

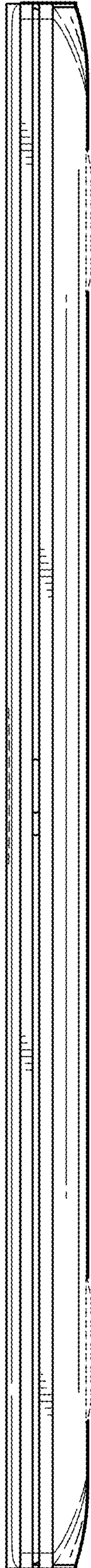


FIG. 2

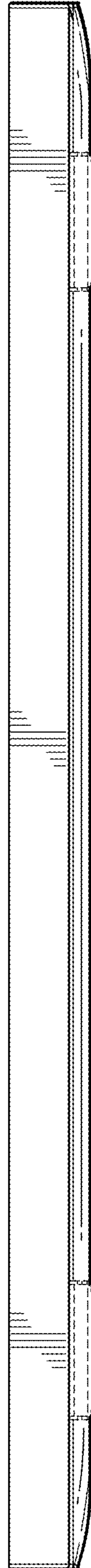


FIG. 3

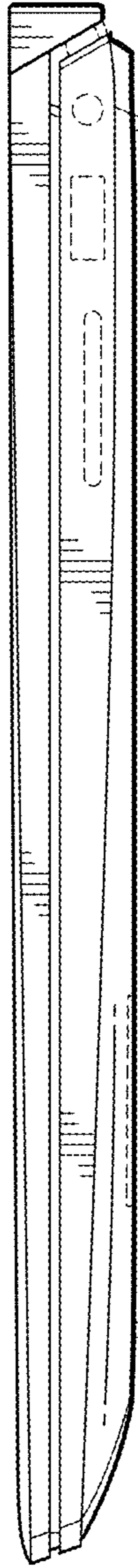


FIG. 4

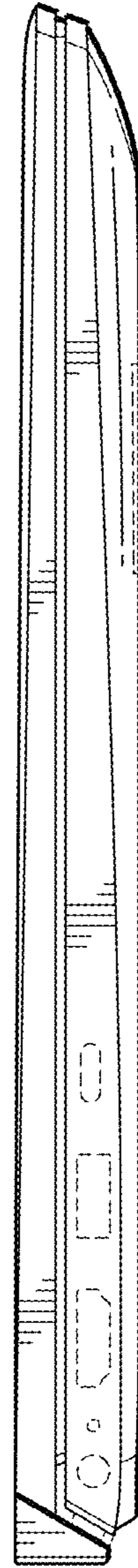


FIG. 5

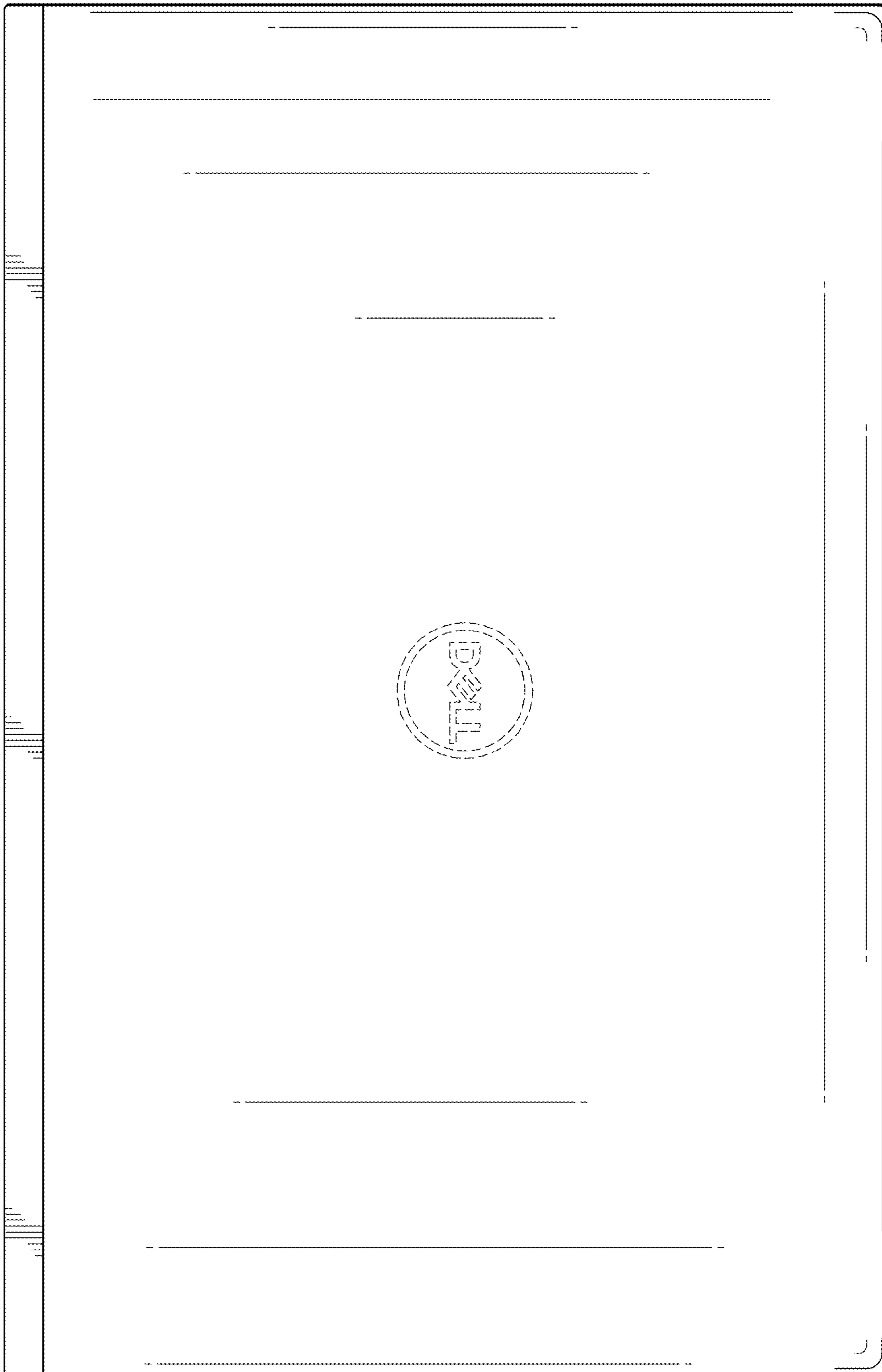


FIG. 6

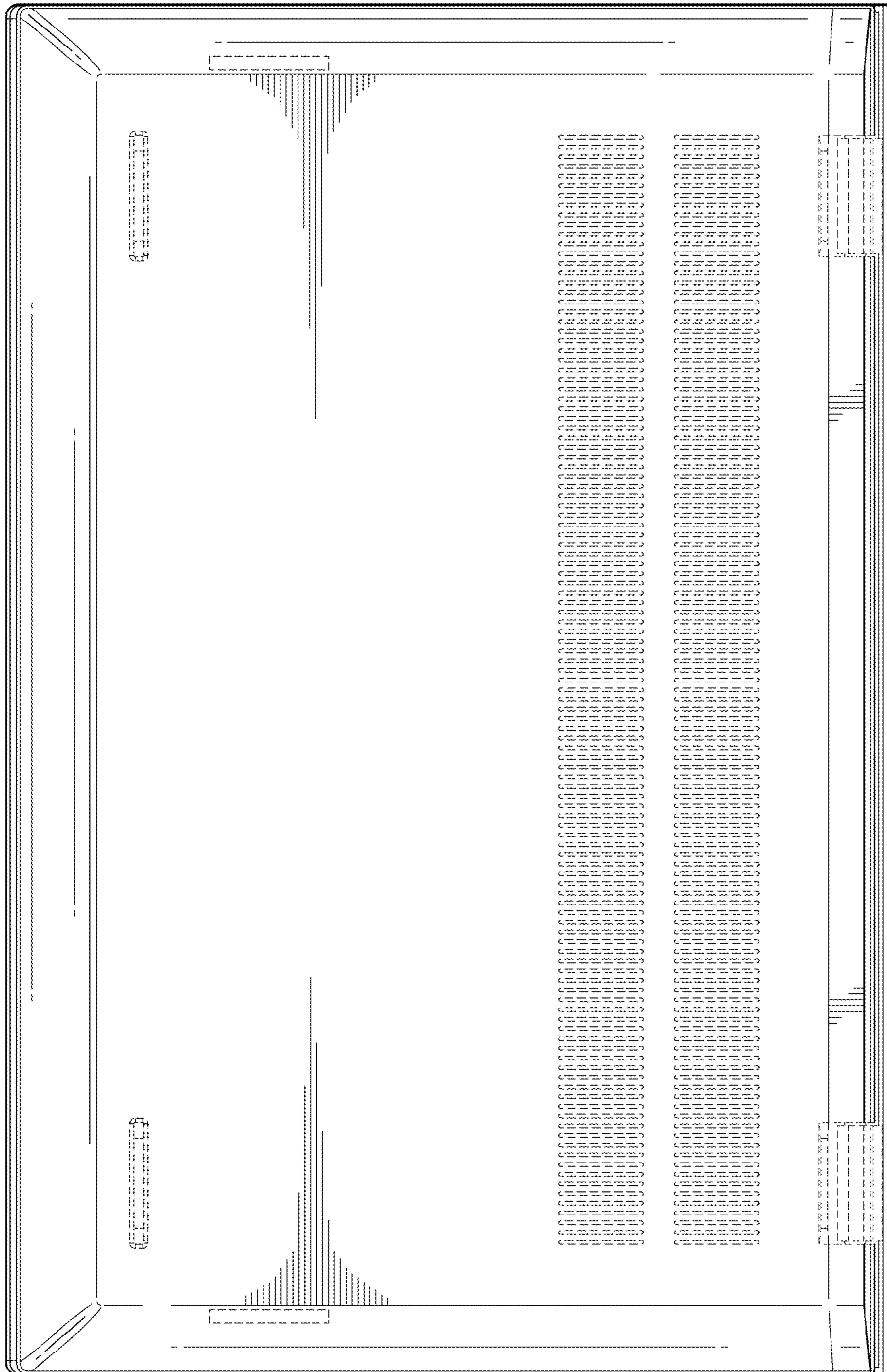


FIG. 7

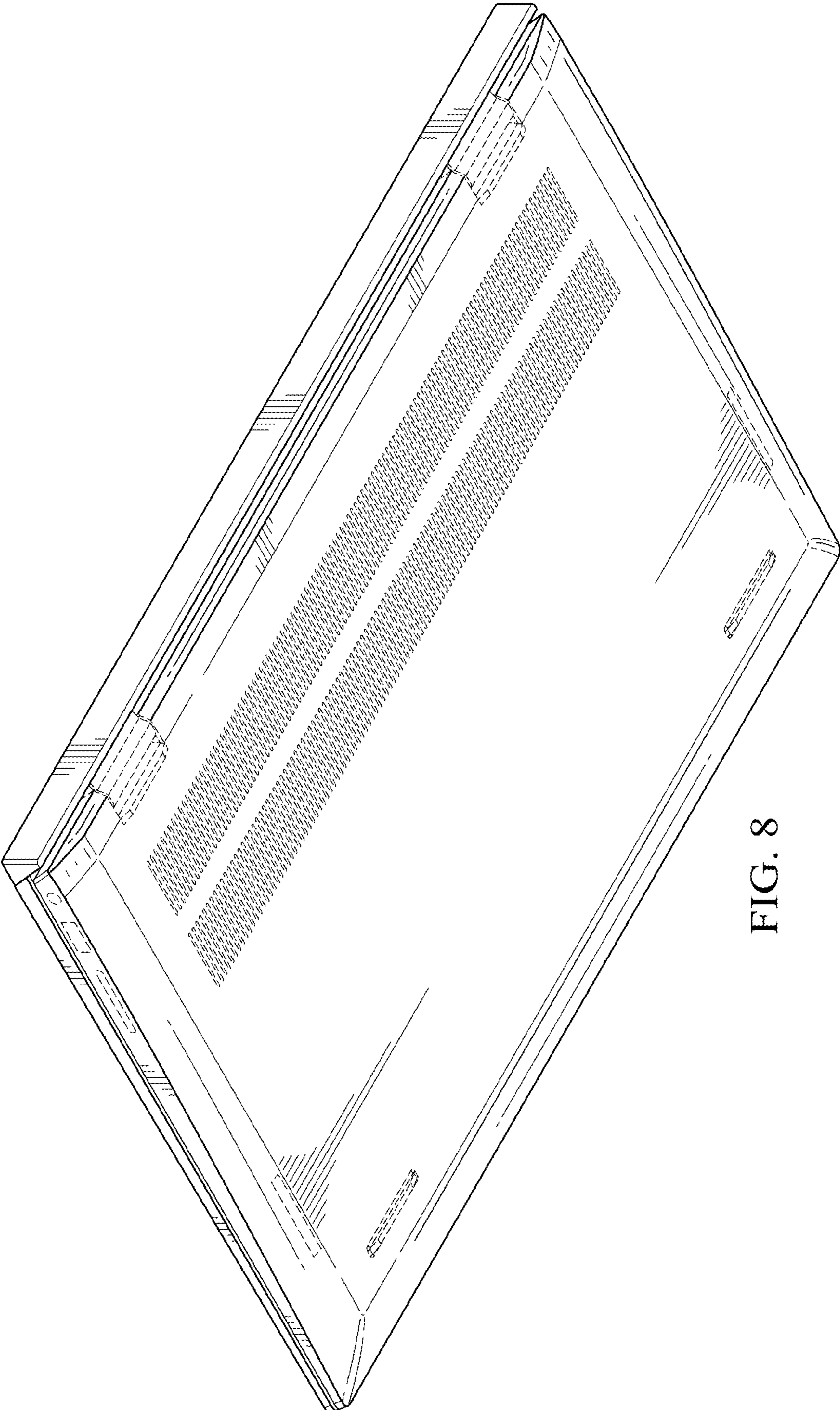


FIG. 8

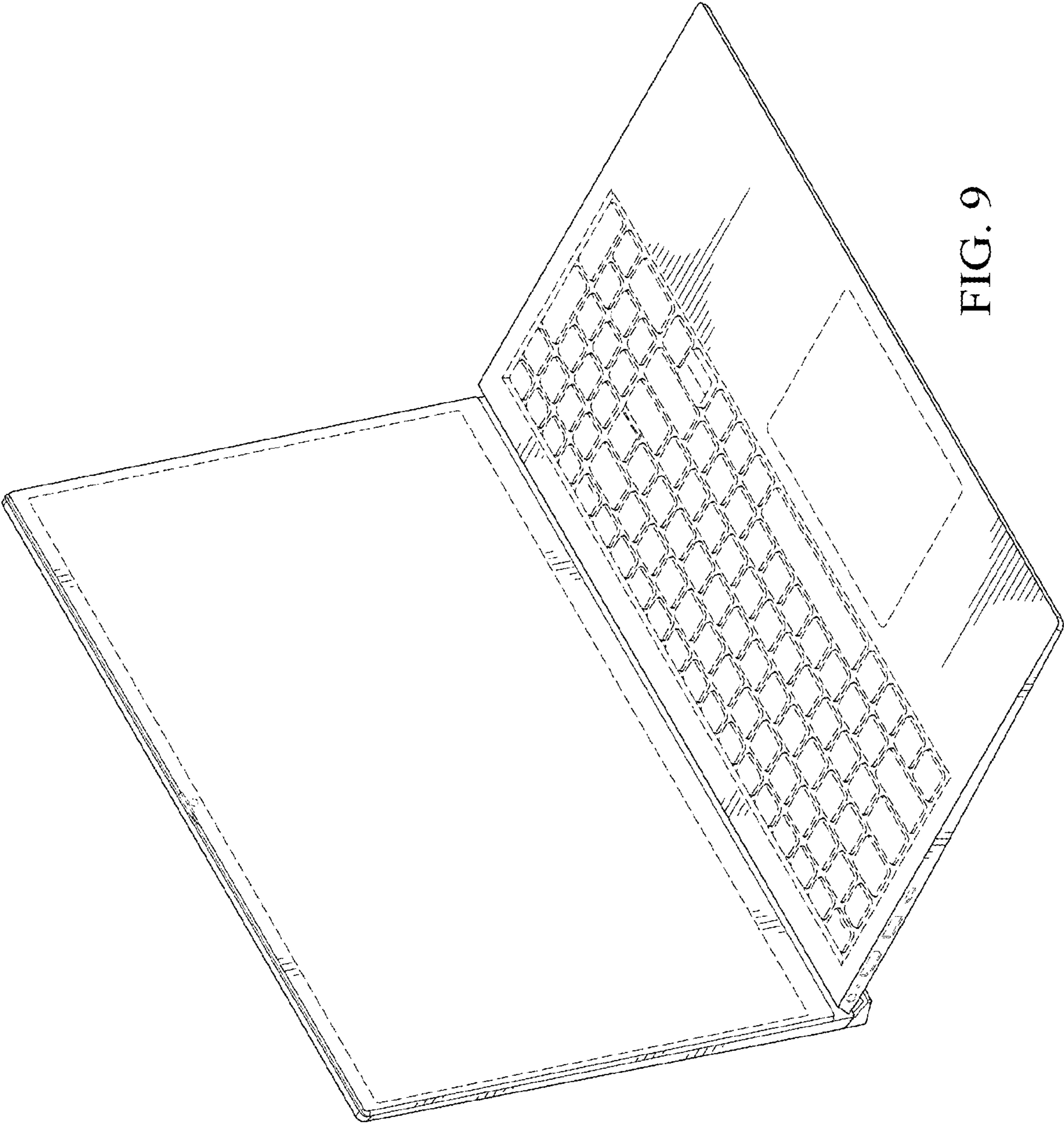


FIG. 9

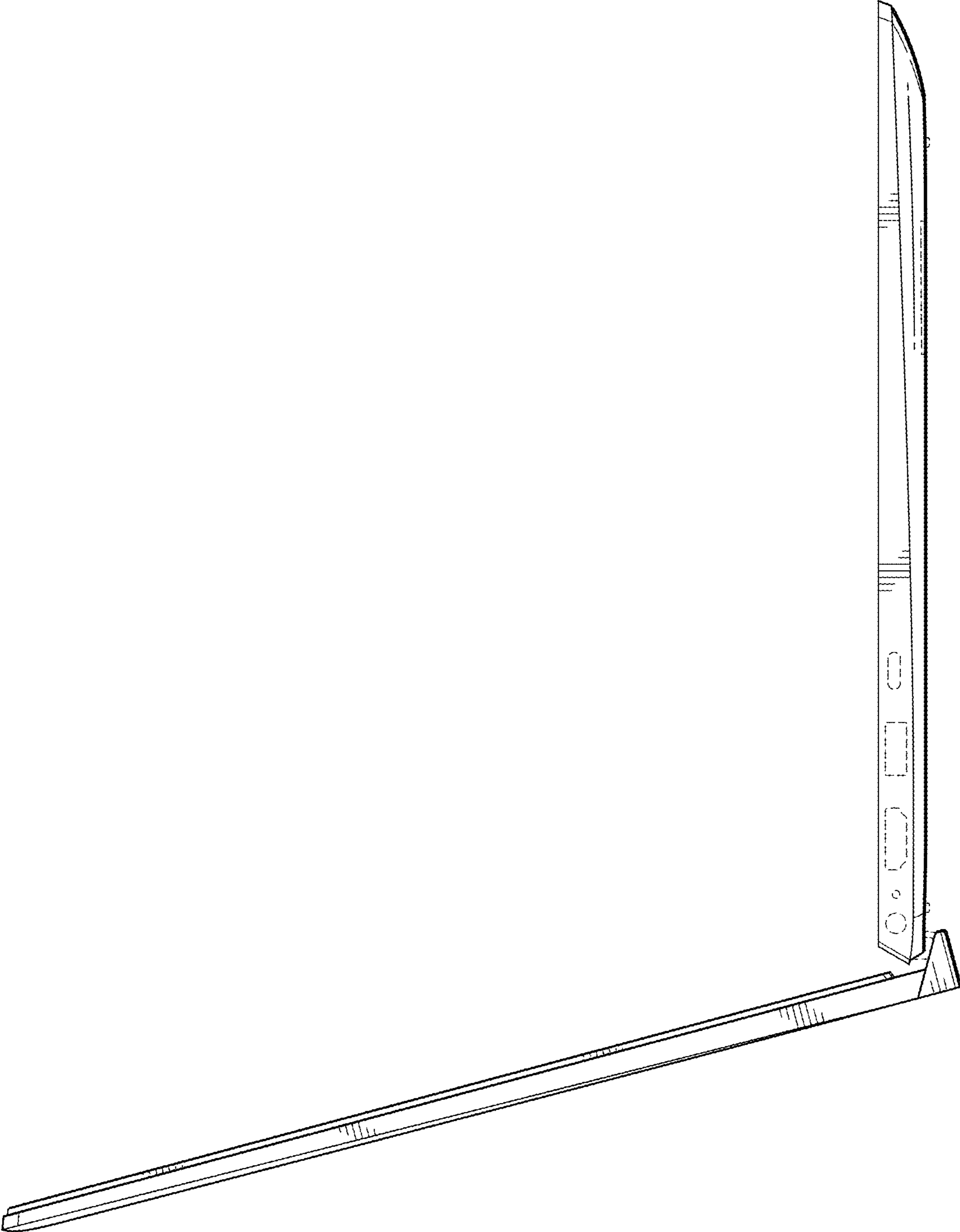


FIG. 10