



US00D987617S

(12) **United States Design Patent**
Wengreen

(10) **Patent No.:** **US D987,617 S**

(45) **Date of Patent:** **** May 30, 2023**

(54) **MOUNT FOR ELECTRONIC DEVICES**

(71) Applicant: **Innovelis, Inc.**, Sammamish, WA (US)

(72) Inventor: **Eric John Wengreen**, Sammamish, WA (US)

(73) Assignee: **Innovelis, Inc.**, Sammamish, WA (US)

(**) Term: **15 Years**

(21) Appl. No.: **29/758,039**

(22) Filed: **Nov. 11, 2020**

(51) **LOC (14) Cl.** **14-06**

(52) **U.S. Cl.**
USPC **D14/251**; D14/238

(58) **Field of Classification Search**
USPC D3/218, 215; D6/675, 656.1, 675.1, 672, D6/673, 675.4, 553, 676, 310, 300, 682.3, 460; D8/349, 363, 313, 394-396, 72, 74; D12/415, D12/223, 114, 420, 414, 407, 177; D13/107, D13/108; D14/251-253, 447, 451, 452, 440, D14/432-434, 458, 457, 460, 238.1, 140, 142, D14/149, 217, 148, 140.8, 140.11, 209.1, 151, D14/140.9, 250, 238; D16/242-245, 250, 237, D16/203, 214, 219; D21/455, 799.1, 713, 796
CPC ... H04M 1/02; H04M 1/04; H04M 1/11; H04M 1/12; A47F 7/022; F16M 11/00; F16M 11/04; F16M 11/041; F16M 11/02; F16M 11/06; F16M 13/00; B62J 11/00; B60R 11/02; H05K 7/00; G03B 17/56

See application file for complete search history.

(56) **References Cited**

U.S. PATENT DOCUMENTS

D405,860 S * 2/1999 Hargrove D21/796
D411,603 S * 6/1999 Duran D21/796
D516,145 S * 2/2006 Oblack et al. D21/713
D516,646 S * 3/2006 Yang D21/713
D529,713 S * 10/2006 Guyot et al. D3/218

D600,006 S * 9/2009 Lau D3/229
D674,851 S * 1/2013 Osborne et al. D21/722
D677,749 S * 3/2013 McLemore D21/796
(Continued)

FOREIGN PATENT DOCUMENTS

CN 305139618 * 5/2019
EM 005616349-0001 * 9/2018
(Continued)

OTHER PUBLICATIONS

Tennis Ball Holder-TC-1001, date not known [online], retrieved Oct. 17, 2022, retrieved from the internet: <http://www.cou-union.com.tw/Tennis-Ball-Holder-TC-1001-pd6940484.html>, (Year: 2022).*

(Continued)

Primary Examiner — Messina L Smith
Assistant Examiner — Rodolfo Castro, Jr

(57) **CLAIM**

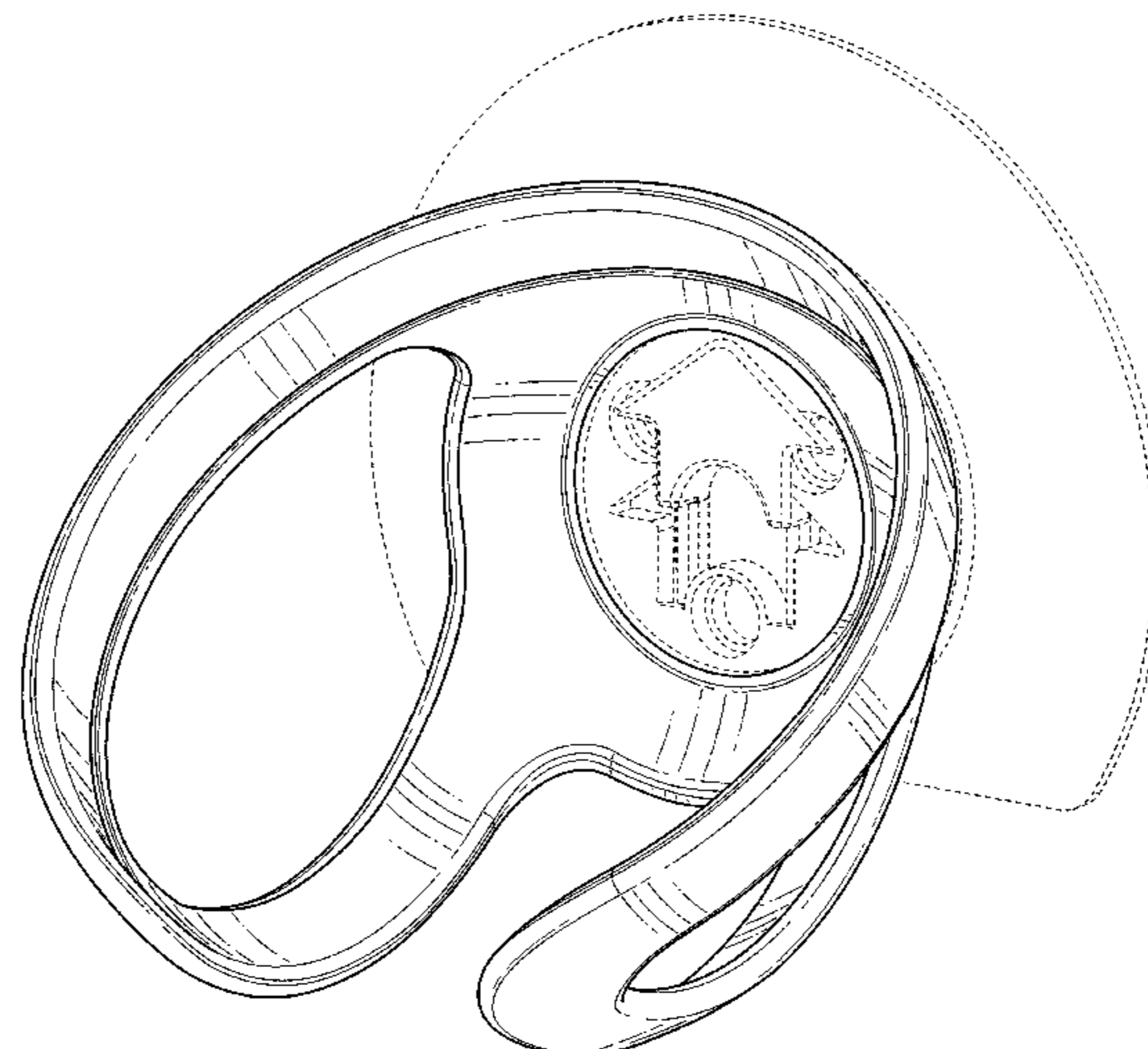
The ornamental design for a MOUNT FOR ELECTRONIC DEVICES as shown and described.

DESCRIPTION

FIG. 1 is a front, first side, and top perspective view of a MOUNT FOR ELECTRONIC DEVICES embodying the new design;
FIG. 2 is a bottom, second side, and front perspective view thereof;
FIG. 3 is a back, first side, and top perspective view thereof;
FIG. 4 is a top view thereof;
FIG. 5 is a bottom view thereof;
FIG. 6 is a front view thereof;
FIG. 7 is a first side view thereof;
FIG. 8 is a second side view thereof; and
FIG. 9 is a back view thereof.

The uniform repeating broken lines in the drawings depict portions of the MOUNT FOR ELECTRONIC DEVICES that form no part of the claimed design.

1 Claim, 9 Drawing Sheets



(56)

References Cited

OTHER PUBLICATIONS

U.S. PATENT DOCUMENTS

8,683,958 B2* 4/2014 Oblack et al. A63B 37/12
 119/707
 D745,495 S * 12/2015 Fereday et al. D14/229
 D751,812 S * 3/2016 Bagala D3/215
 9,663,174 B2* 5/2017 Chiu B62J 11/04
 D812,064 S 3/2018 Wengreen
 D813,241 S 3/2018 Wengreen
 D819,969 S * 6/2018 Chen D3/257
 10,199,782 B1 2/2019 Wengreen
 D845,561 S * 4/2019 Crane D30/160
 D847,789 S * 5/2019 Virhiä et al. D14/217
 D848,684 S * 5/2019 Renforth et al. D30/160
 D849,960 S * 5/2019 Saito et al. D24/211
 D856,344 S 8/2019 Wengreen
 D865,727 S * 11/2019 Wengreen D14/238.1
 D867,435 S * 11/2019 Wengreen D16/242
 D871,490 S * 12/2019 Wengreen D16/242
 D872,026 S * 1/2020 Eshelman et al. D13/133
 D881,167 S * 4/2020 Jiao D14/224
 D888,138 S * 6/2020 Rao et al. D16/242
 D899,077 S * 10/2020 de Jonge et al. D3/218
 D908,113 S * 1/2021 Eshelman et al. D14/217
 D909,048 S * 2/2021 de Jonge et al. D3/218
 D957,406 S * 7/2022 Grulkowski et al. D14/447
 20220090730 A1* 3/2022 Grulkowski et al. .. F16M 11/14

FOREIGN PATENT DOCUMENTS

EM 005616349-0002 * 9/2018
 JP D1322181 * 2/2008

PlusAcc for HomePod Mini Wall Mount, Aug. 9, 2021 [online], retrieved Oct. 17, 2022, retrieved from the internet: < https://www.amazon.com/PlusAcc-HomePod-Mini-Wall-Mount/dp/B09C5BNQG7/ref=asc_df_B09C5BNQG7/? > (Year: 2021).*

SANUS Wall Mount for Amazon Echo Dot (4th Gen, Black), date not known [online], retrieved Oct. 17, 2022, retrieved from the internet: < https://www.bhphotovideo.com/c/product/1708741-REG/sanus_wsedm2_b2_4th_gen_echo_dot.html/? > (Year: 2022).*

Total Mount Compatible with HomePod Mini - Hole-Free Design, Feb. 8, 2021 [online], retrieved Oct. 17, 2022, retrieved from the internet: < <https://www.amazon.com/dp/B08W6L759M> > (Year: 2021).*

Tourna Ball Pocket Tennis Ball Waist Clip Holder-Clear, Oct. 2, 2003 [online], retrieved Oct. 17, 2022, retrieved from the internet: < https://www.amazon.com/Tourna-Pocket-Tennis-Waist-Holder-Clear/dp/B000C1UC64/ref=asc_df_B000C1UC64/? Oct. 17, 2022, (Year: 2003).*

PlusAcc for HomePod Mini Wall Mount, Nov. 20, 2020 [online], retrieved Oct. 17, 2022, retrieved from the internet: < <https://www.amazon.com/Ball-Pop-Holder-Marker-Waistband/dp/B08PCX77P8?> > (Year: 2022).*

* cited by examiner

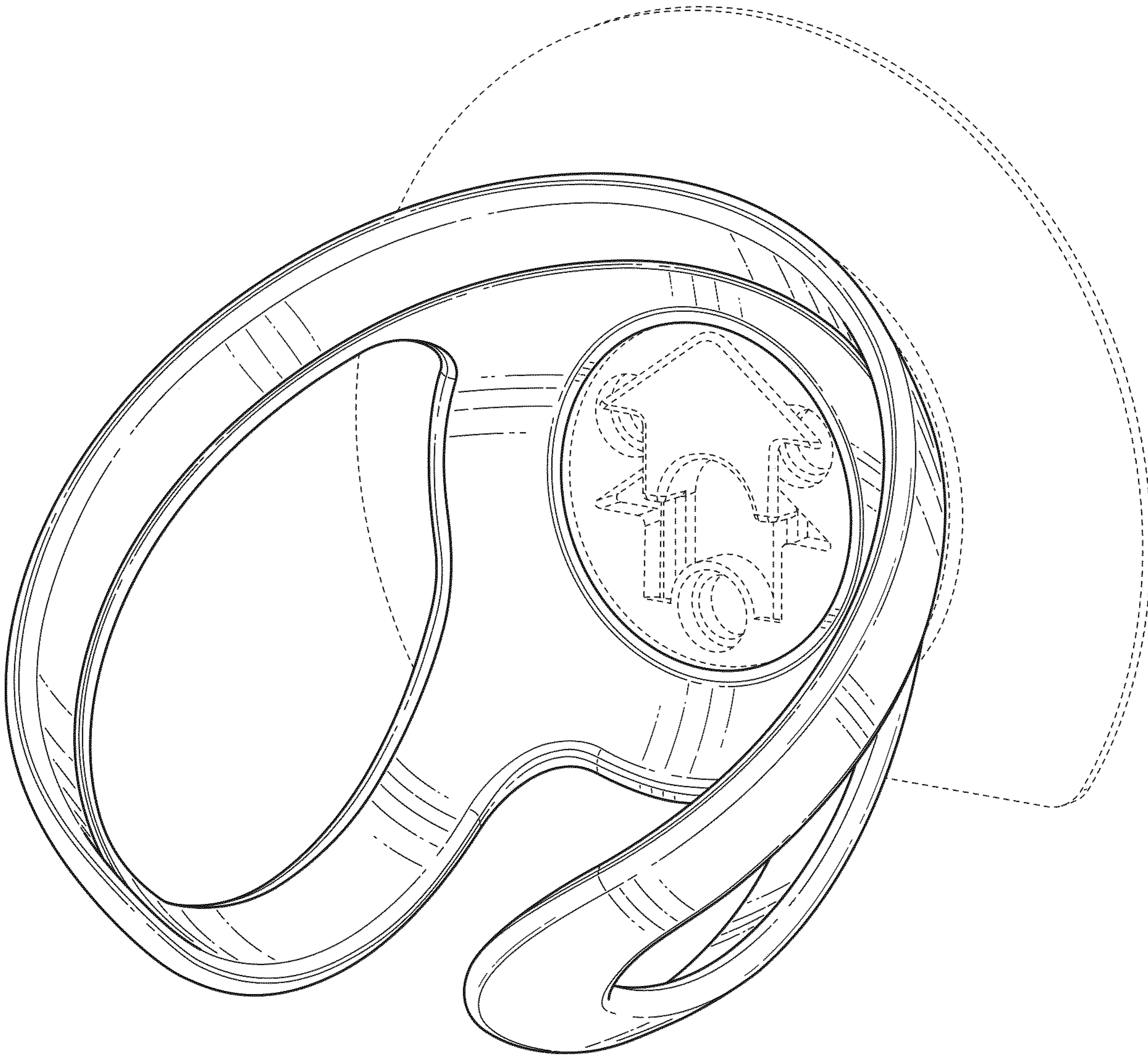


FIG. 1

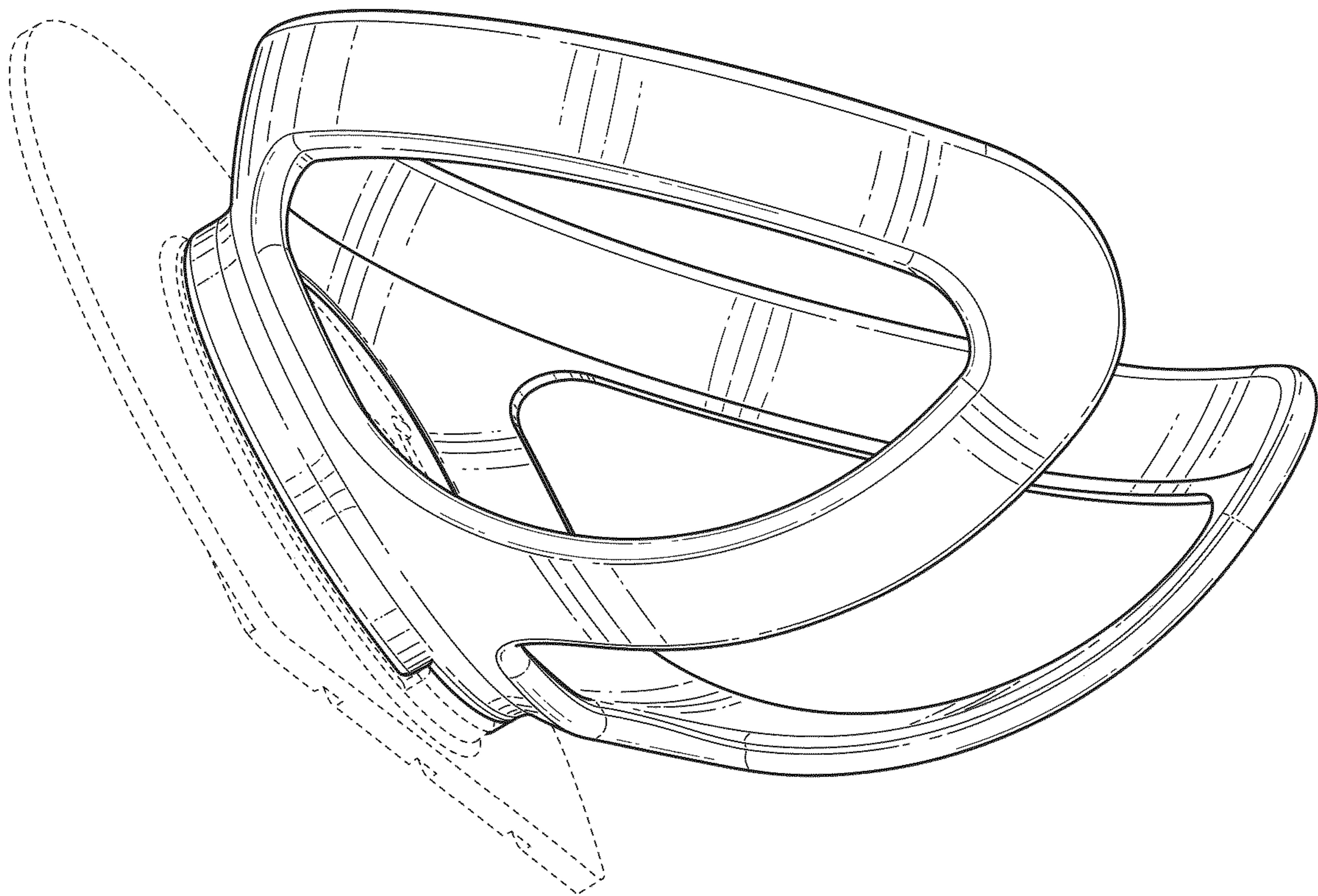


FIG. 2

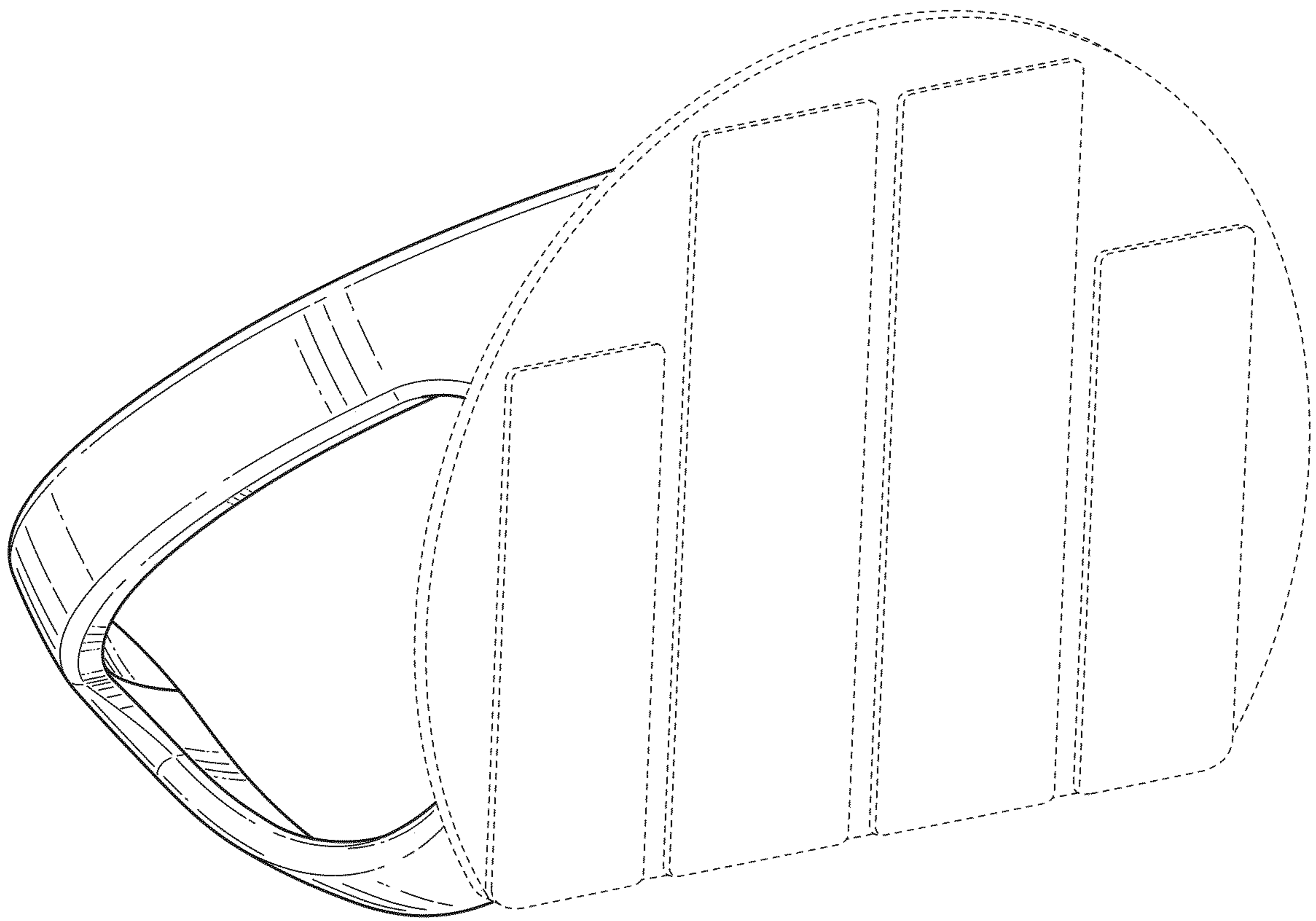


FIG. 3

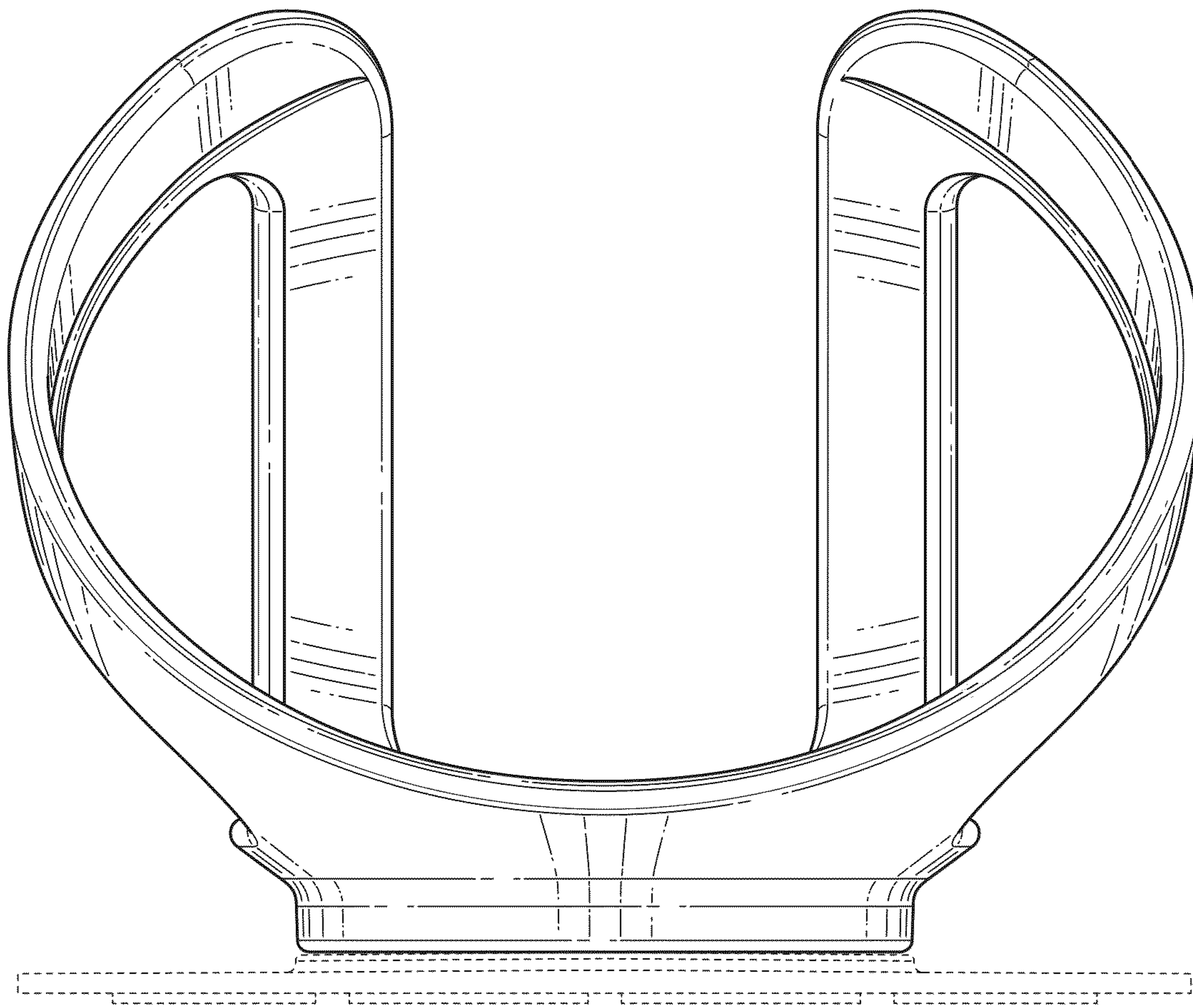


FIG. 4

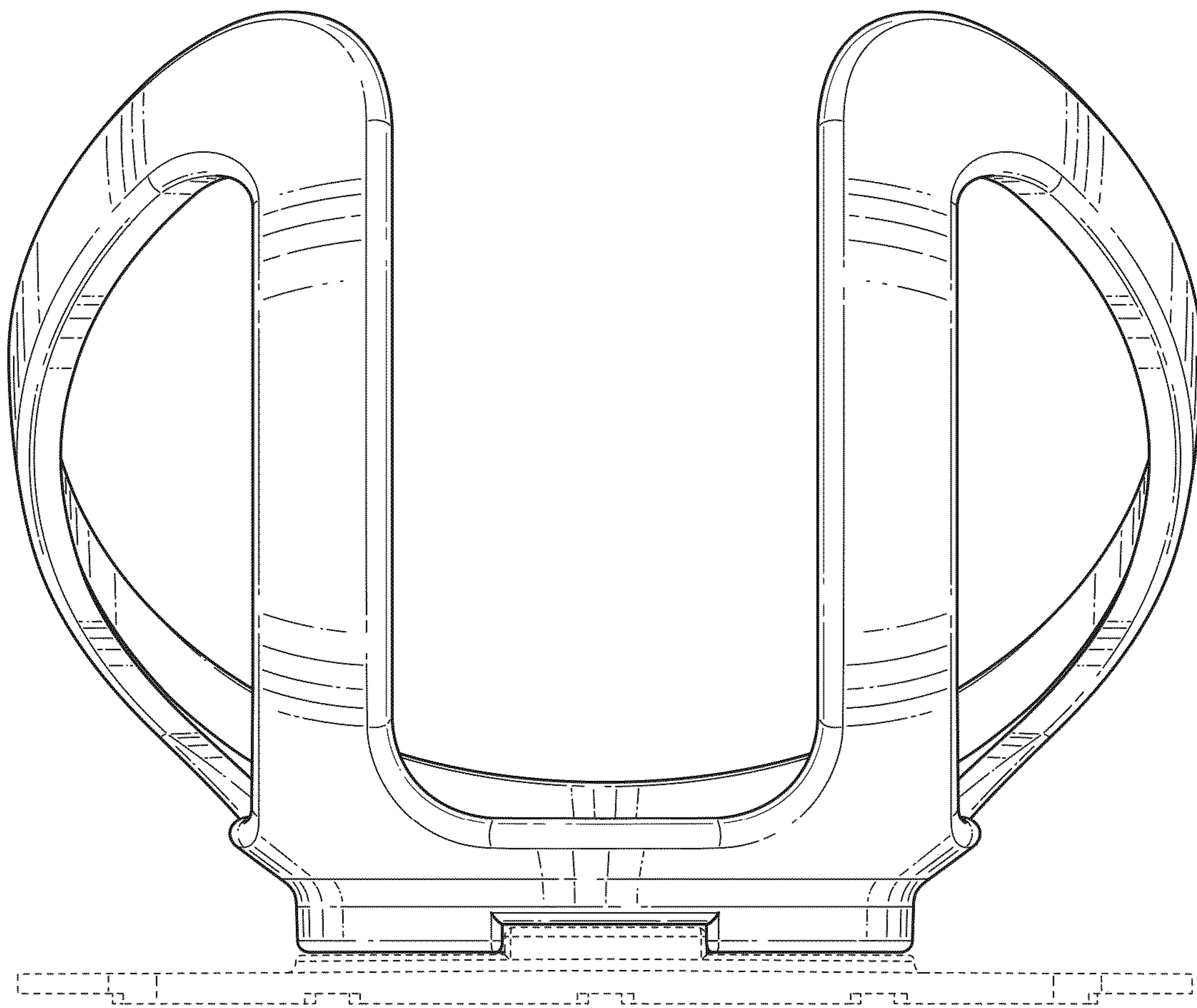


FIG. 5

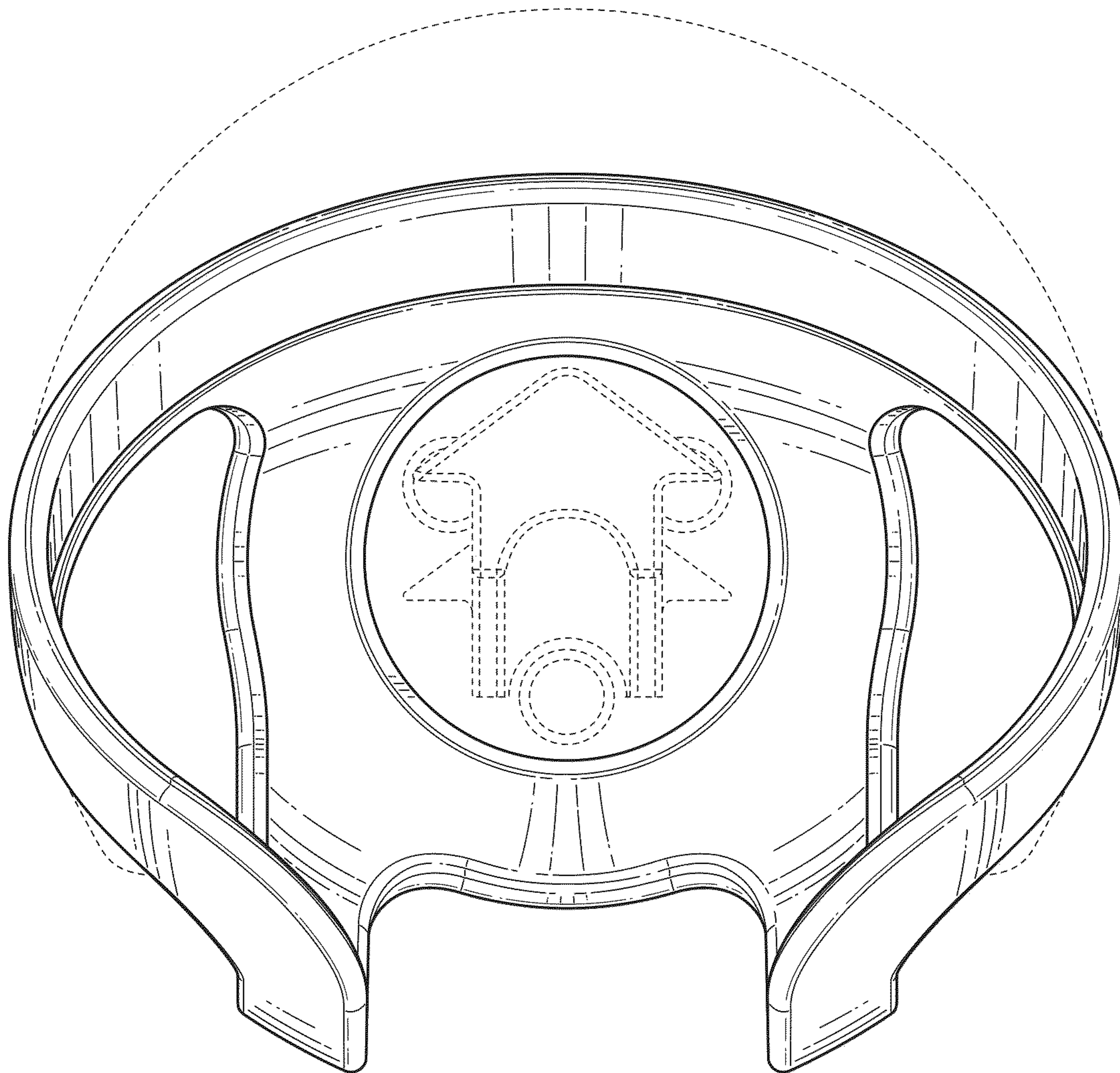


FIG. 6

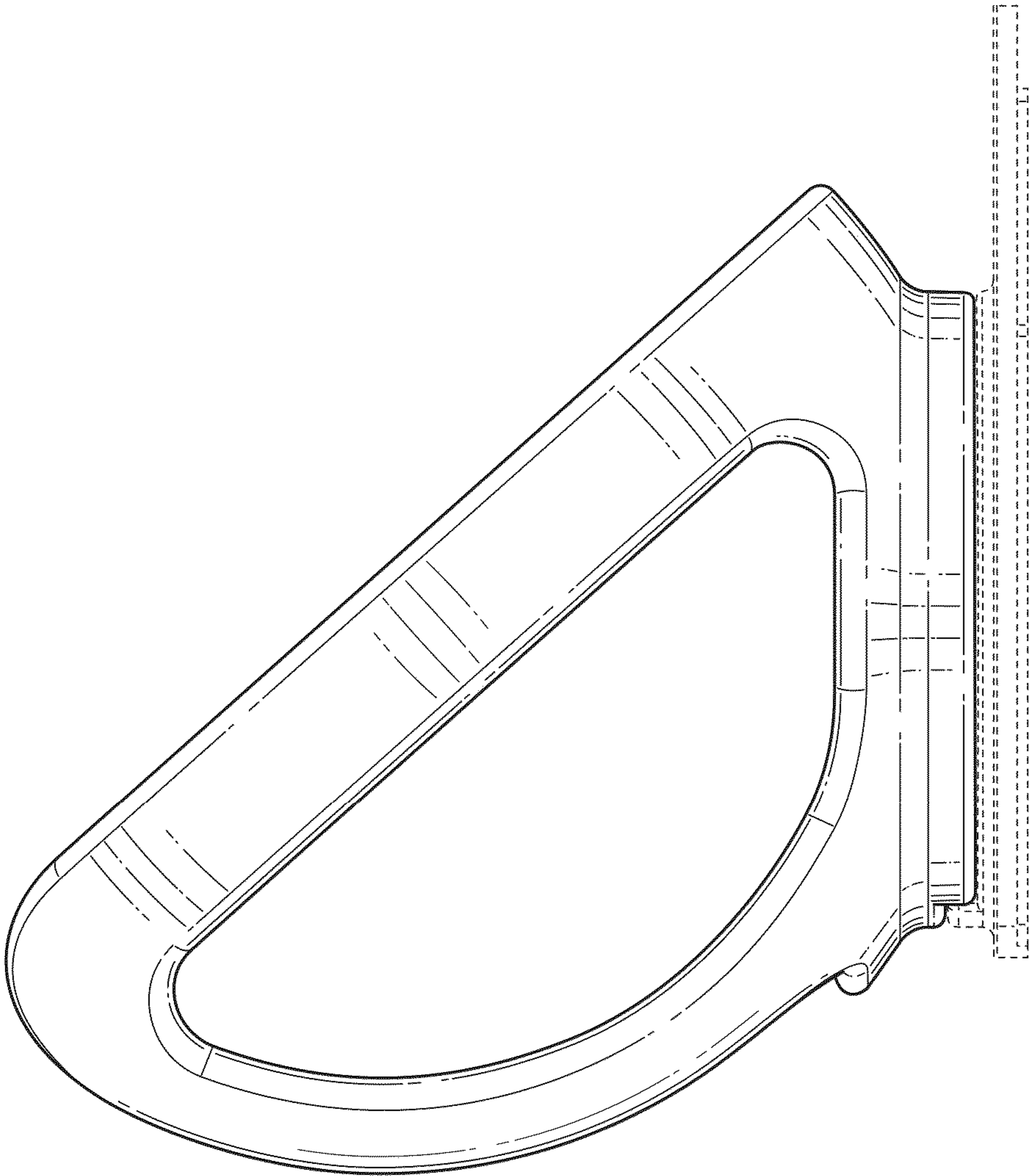


FIG. 7

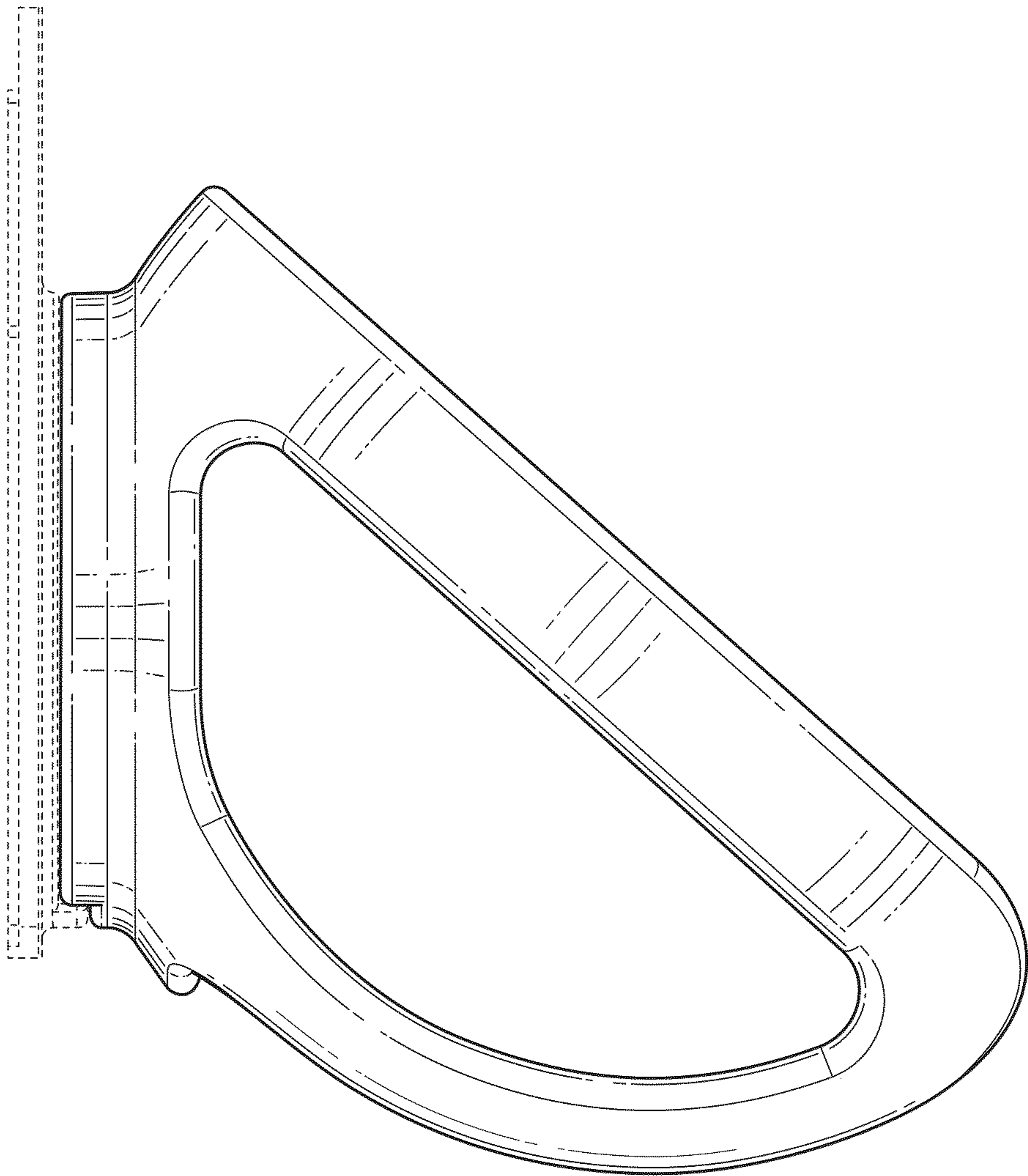


FIG. 8

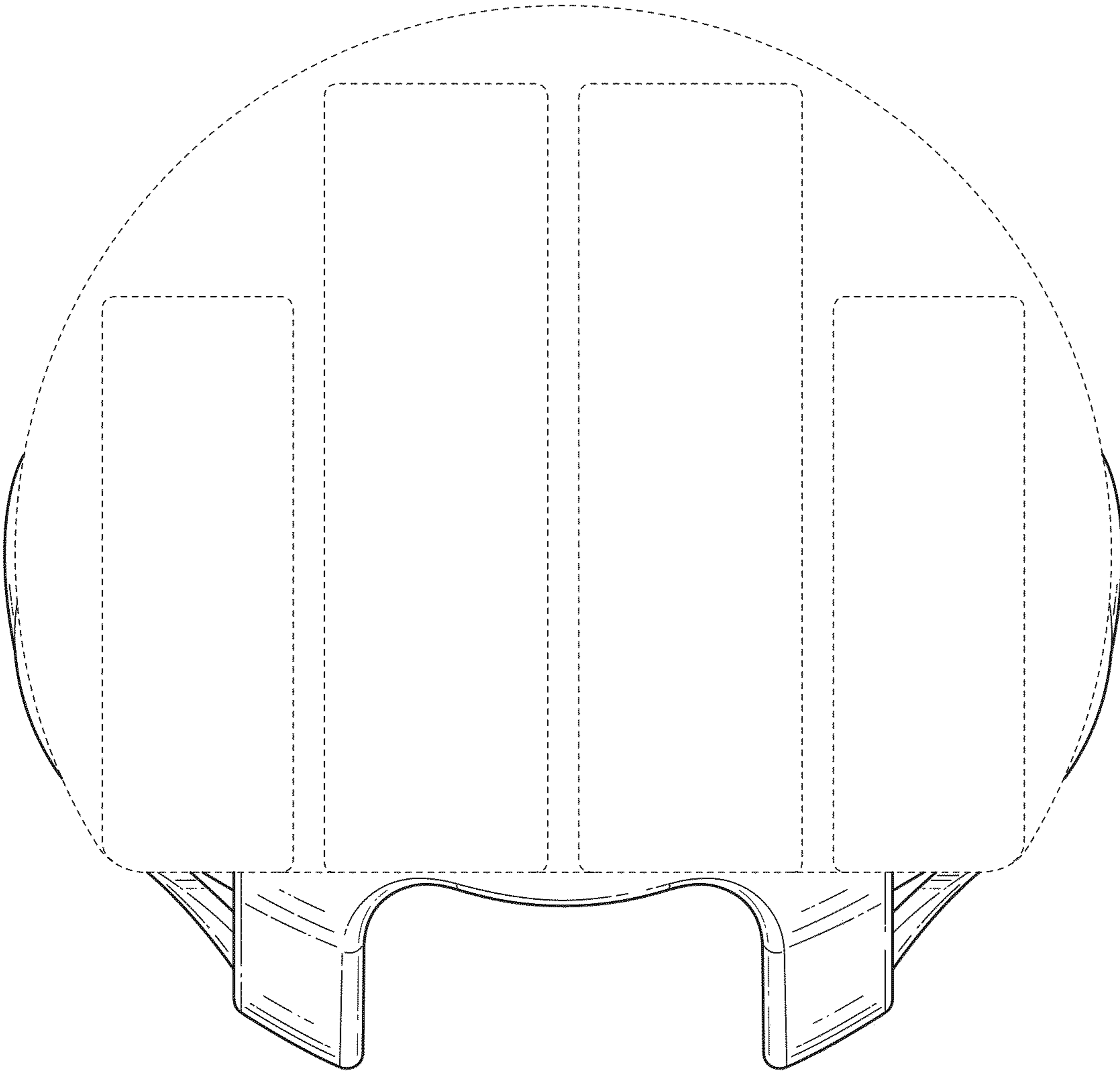


FIG. 9