



US00D987615S

(12) **United States Design Patent**
Myung et al.

(10) **Patent No.:** **US D987,615 S**
(45) **Date of Patent:** **** May 30, 2023**

(54) **CASE FOR PORTABLE ELECTRONIC DEVICE**

(71) Applicant: **Samsung Electronics Co., Ltd.**,
Suwon-si (KR)

(72) Inventors: **Jieun Myung**, Suwon-si (KR); **Dahyun Lee**, Suwon-si (KR); **Junho Jin**, Suwon-si (KR); **Bosoon Kang**, Suwon-si (KR); **Jinhoo Lee**, Suwon-si (KR); **Junwon Lee**, Suwon-si (KR); **Namsu Kim**, Suwon-si (KR); **Jiyun Lim**, Suwon-si (KR); **Kangmoon Kim**, Suwon-si (KR)

(73) Assignee: **SAMSUNG ELECTRONICS CO., LTD.**, Suwon-si (KR)

(**) Term: **15 Years**

(21) Appl. No.: **29/812,297**

(22) Filed: **Oct. 20, 2021**

(30) **Foreign Application Priority Data**

Apr. 30, 2021 (KR) 30-2021-0021145

(51) **LOC (14) Cl.** **14-03**

(52) **U.S. Cl.**
USPC **D14/250**

(58) **Field of Classification Search**
USPC D13/107, 108; D14/217, 248, 250–253,
D14/426, 432, 434, 440, 447
CPC H04B 1/3888; H04M 1/0283; H04M 1/0202;
A45F 2005/028; A45F 2200/0525
See application file for complete search history.

(56) **References Cited**

U.S. PATENT DOCUMENTS

D782,436 S * 3/2017 Kwak D14/345
D788,726 S * 6/2017 Lee D14/138 AB
10,064,298 B2 * 8/2018 Cavenagh H04M 1/022

D828,318 S * 9/2018 Seo D14/138 AD
D843,994 S * 3/2019 Jeong D14/250
D851,920 S * 6/2019 Mouriz D3/218
D851,921 S * 6/2019 Goetz D3/218
D862,081 S * 10/2019 Lange D3/249
D880,149 S * 4/2020 Yang D3/226

(Continued)

OTHER PUBLICATIONS

Samsung Galaxy Z Flip 3 Phone Case, Silicone Protective Cover with Ring, publication date Jun. 20, 2021, [online] URL: <https://www.amazon.com/Samsung-Electronics-Protective-Shockproof-EF-PF711TNEGUS/dp/B0977LVHY4/> (Year: 2021).*

(Continued)

Primary Examiner — L. A. Grabenstetter

(74) *Attorney, Agent, or Firm* — McAndrews Held & Malloy, Ltd.

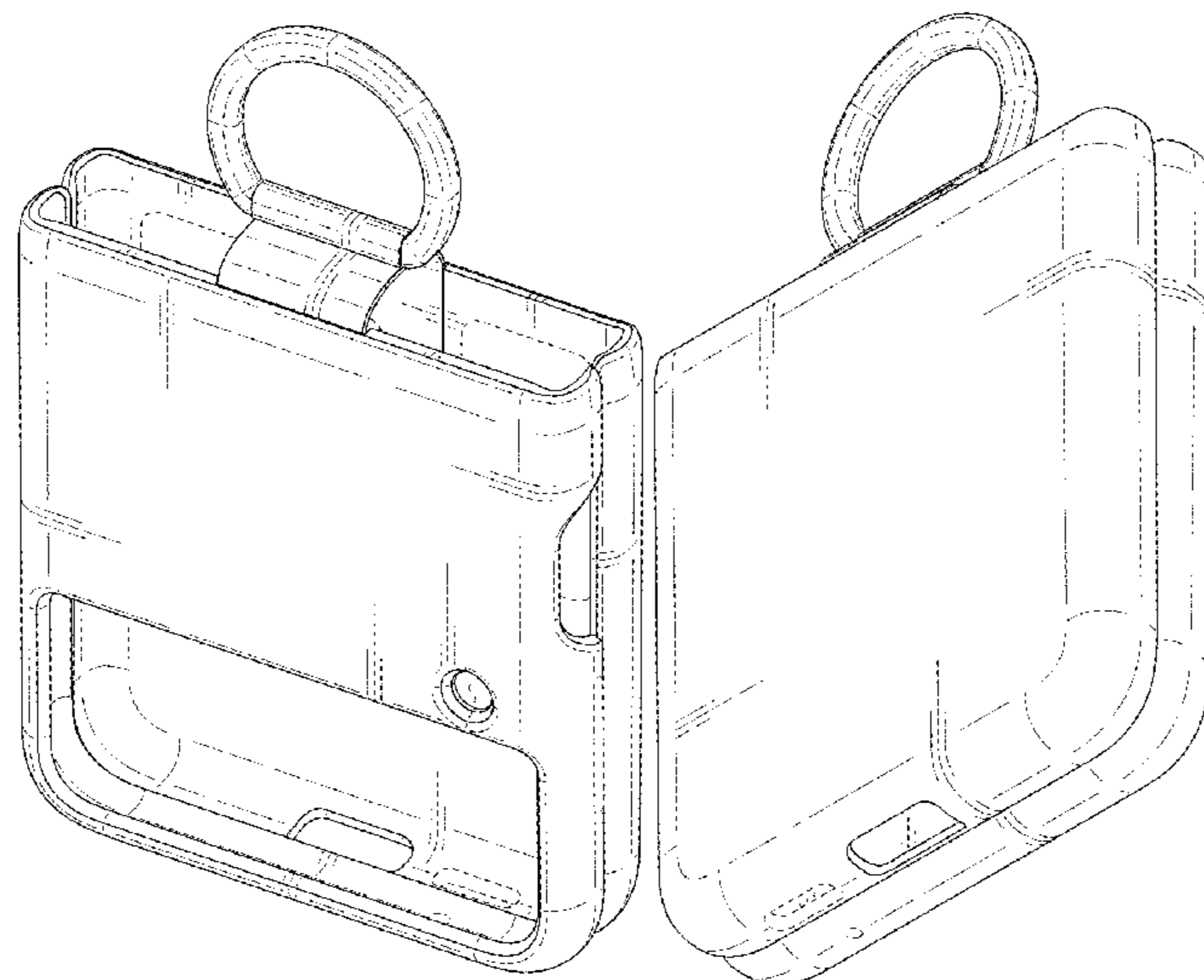
(57) **CLAIM**

The ornamental design for a case for portable electronic device, as shown and described.

DESCRIPTION

FIG. 1 is a front perspective view of a case for portable electronic device showing our new design in a folded position;
FIG. 2 is a front view thereof;
FIG. 3 is a rear view thereof;
FIG. 4 is a left side view thereof;
FIG. 5 is a right side view thereof;
FIG. 6 is a top plan view thereof;
FIG. 7 is a bottom plan view thereof;
FIG. 8 is a rear perspective view thereof; and,
FIG. 9 is another front perspective view thereof, showing our new design in an unfolded position.
The dashed broken lines in the figures depict portions of the case for portable electronic device that form no part of the claimed design.

1 Claim, 7 Drawing Sheets



(56)

References Cited

U.S. PATENT DOCUMENTS

D891,101 S * 7/2020 Lv D3/249
 D902,167 S * 11/2020 Lee D14/138 AB
 D908,353 S * 1/2021 Peng D3/249
 D911,323 S * 2/2021 Kim D14/250
 D933,644 S * 10/2021 Choi D14/250
 D935,170 S * 11/2021 Yang D3/218
 D947,829 S * 4/2022 Choi D14/250
 D954,014 S * 6/2022 Song D14/138 AB
 D964,956 S * 9/2022 Gong D14/138 AB
 D965,545 S * 10/2022 Song D14/138 AB
 D965,547 S * 10/2022 Song D14/138 AB
 D978,126 S * 2/2023 Liu D3/218
 2017/0123217 A1 * 5/2017 Dukerschein G02B 30/37
 2017/0188675 A1 * 7/2017 Ahmed A45C 13/005
 2022/0166456 A1 * 5/2022 Dannenberg H04B 1/3888
 2023/0029701 A1 * 2/2023 Lee H04M 1/0214

OTHER PUBLICATIONS

Samsung Galaxy Z Flip 3 Phone Case, Aramid Protective Cover, publication date Aug. 11, 2021, [online] URL: <https://www.amazon.com/dp/B0977LWNC7/> (Year: 2021).*

Samsung Galaxy Z Flip3 Clear Cover with Ring, publication date Aug. 11, 2021, [online] URL: <https://www.amazon.com/SAMSUNG-Galaxy-Flip3-Clear-Cover/dp/B098KKKYMB/> (Year: 2021).*

Samsung Galaxy Z Flip4 Silicone Cover with Ring, publication date Aug. 10, 2022, [online] URL: <https://www.amazon.com/SAMSUNG-Galaxy-Z-Flip4-Silicone-Cover-with-Ring/dp/B0B3ZBWR46/> (Year: 2022).*

Samsung Galaxy Z Flip4 Flap Leather Cover, publication date Aug. 10, 2022, [online] URL: <https://www.amazon.com/SAMSUNG-Leather-Protective-Premium-Version/dp/B0B3ZBWR46/> (Year: 2022).*

Samsung Galaxy Z Flip 4 Silicone Strap Cover, publication date Aug. 10, 2022, [online] URL: <https://www.amazon.com/SAMSUNG-Silicone-Protective-Surface-Handheld/dp/B0B3Z3WWYT/> (Year: 2022).*

* cited by examiner

FIG. 1

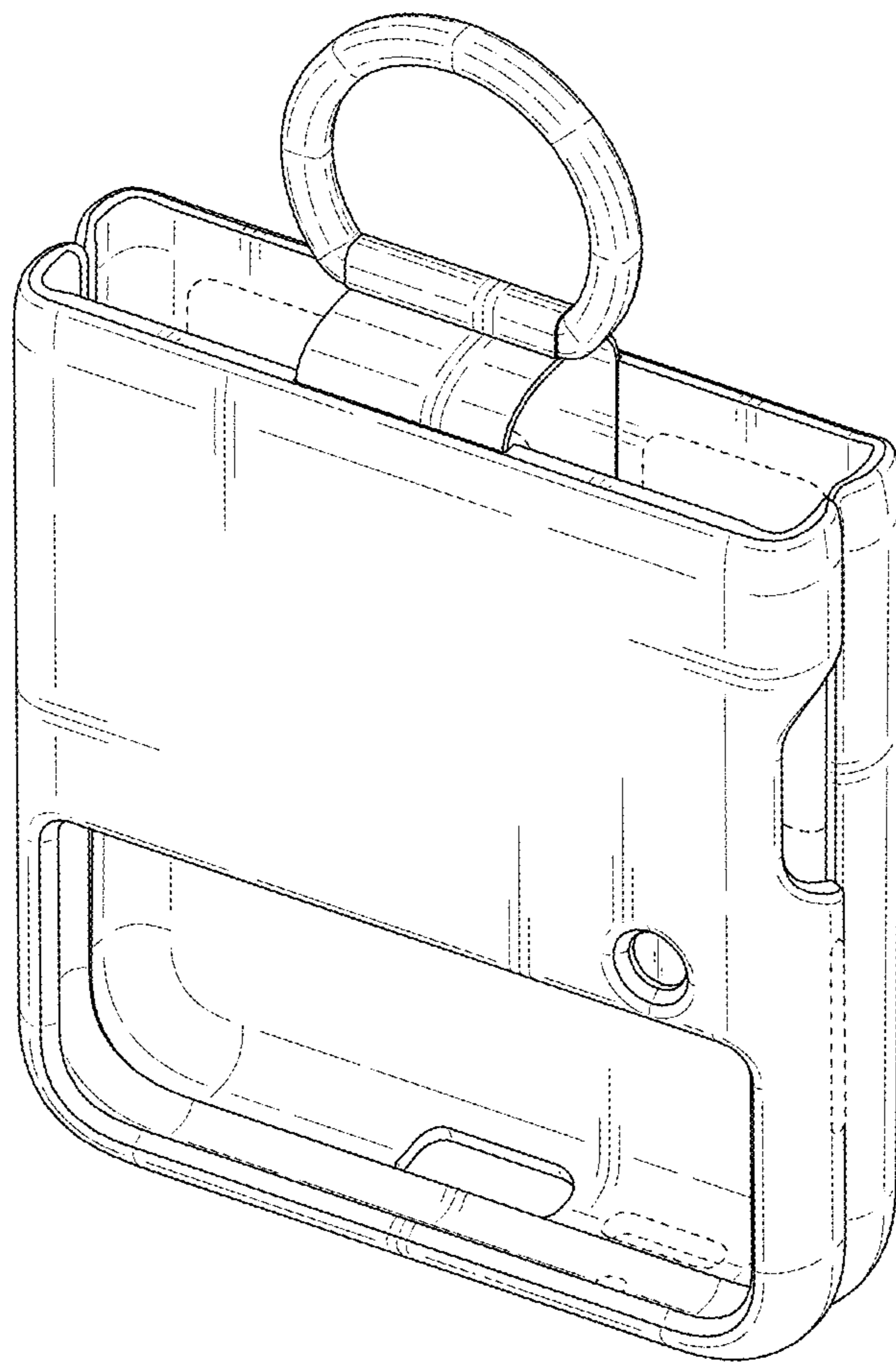


FIG. 2

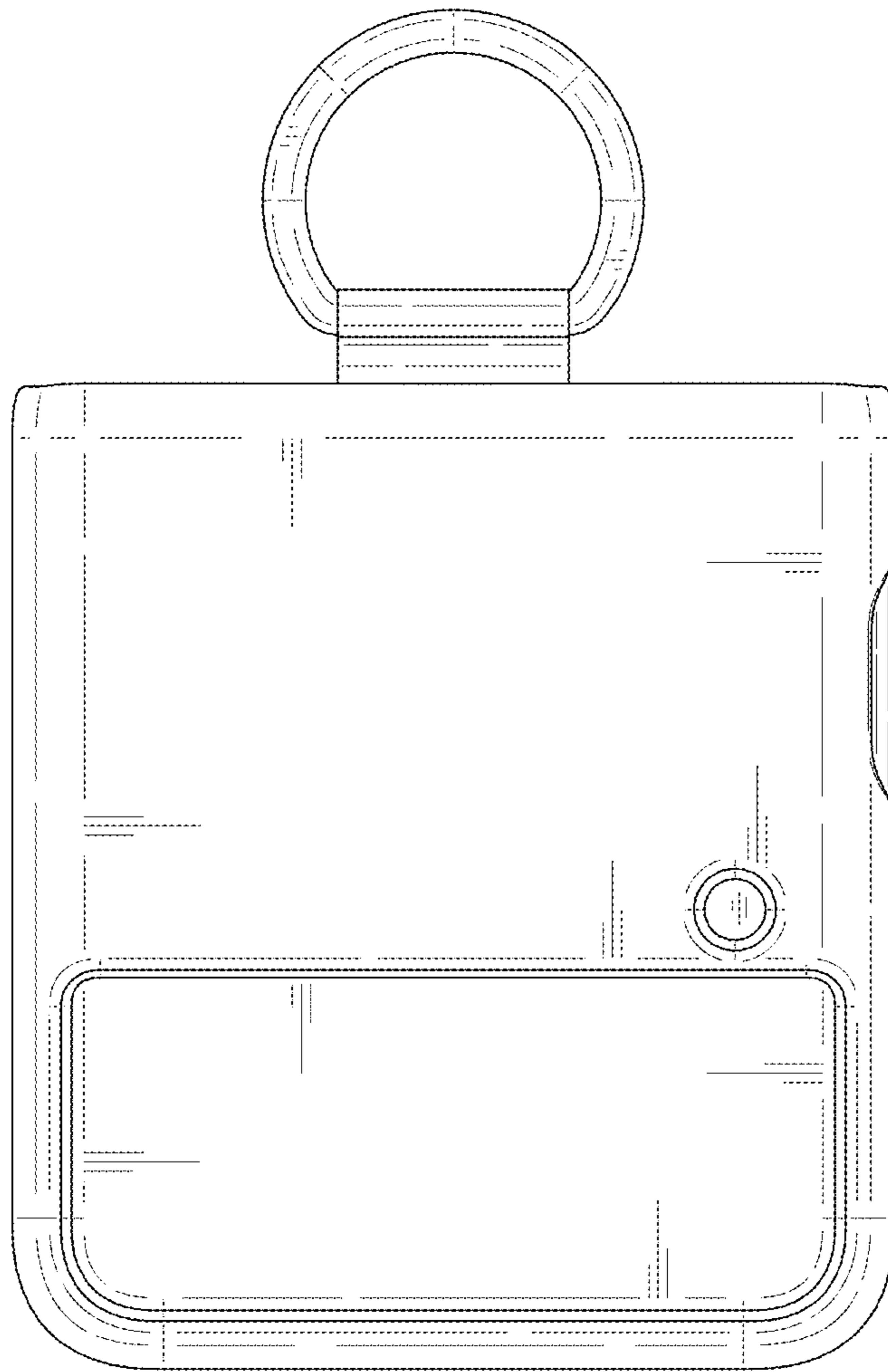


FIG. 3

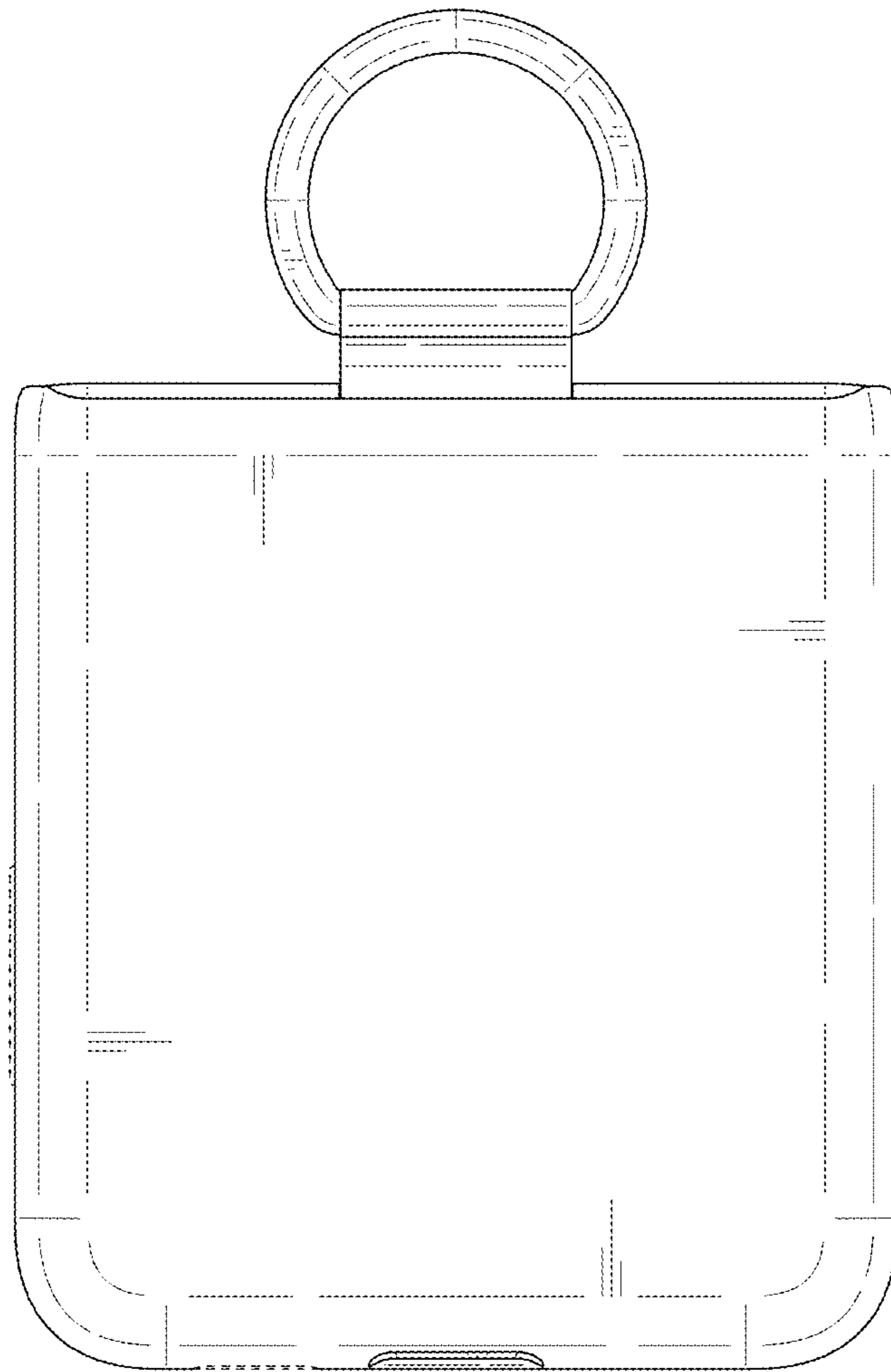


FIG. 4

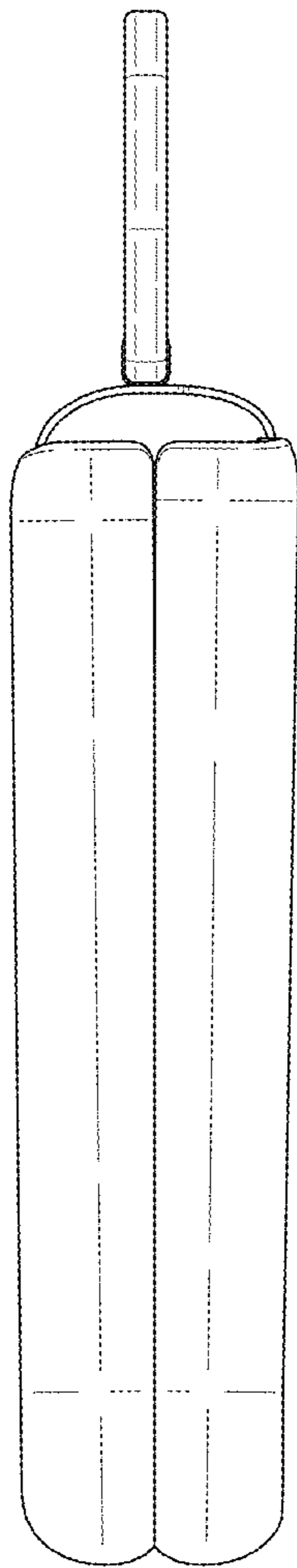


FIG. 5

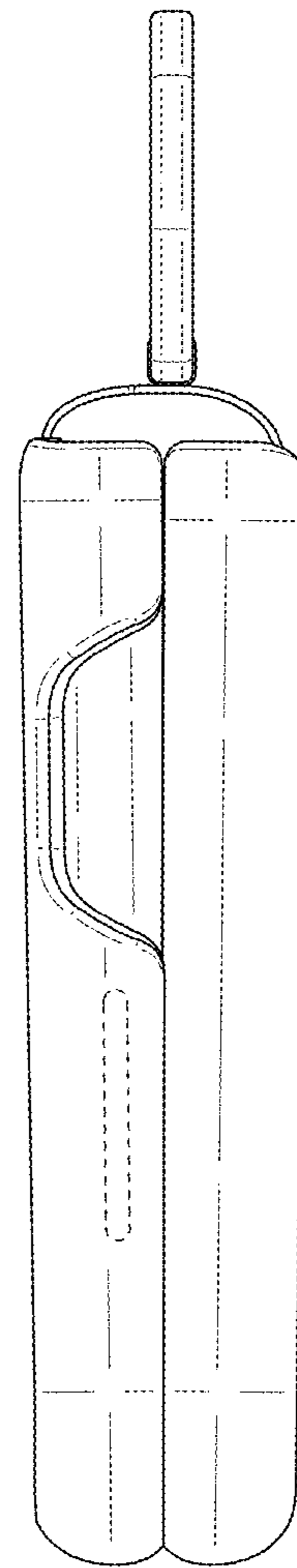


FIG. 6

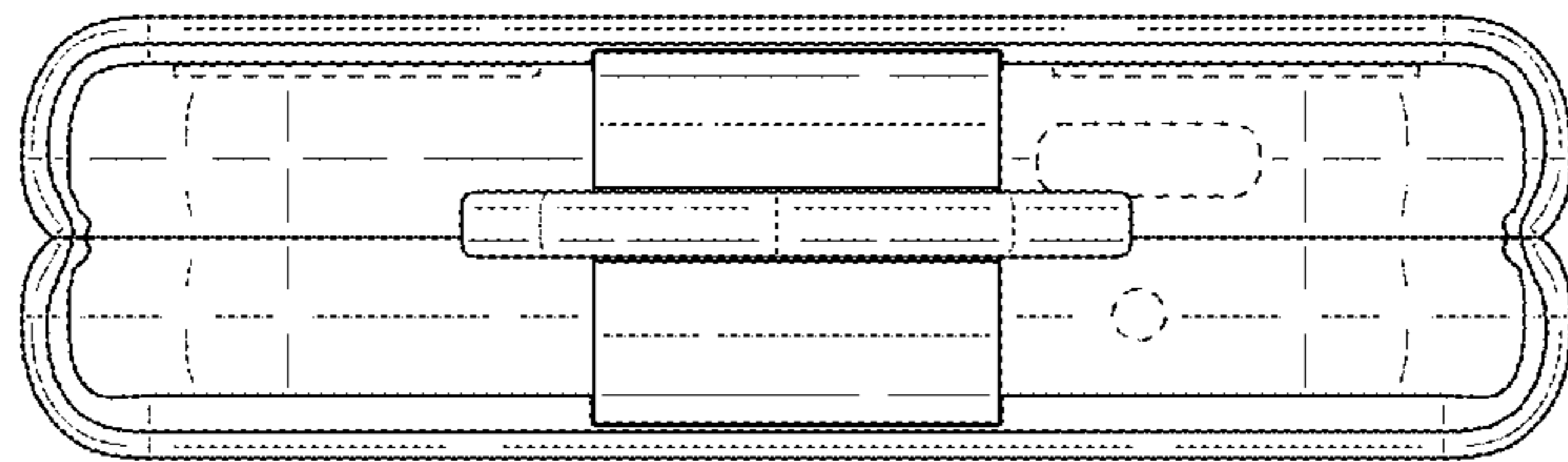


FIG. 7

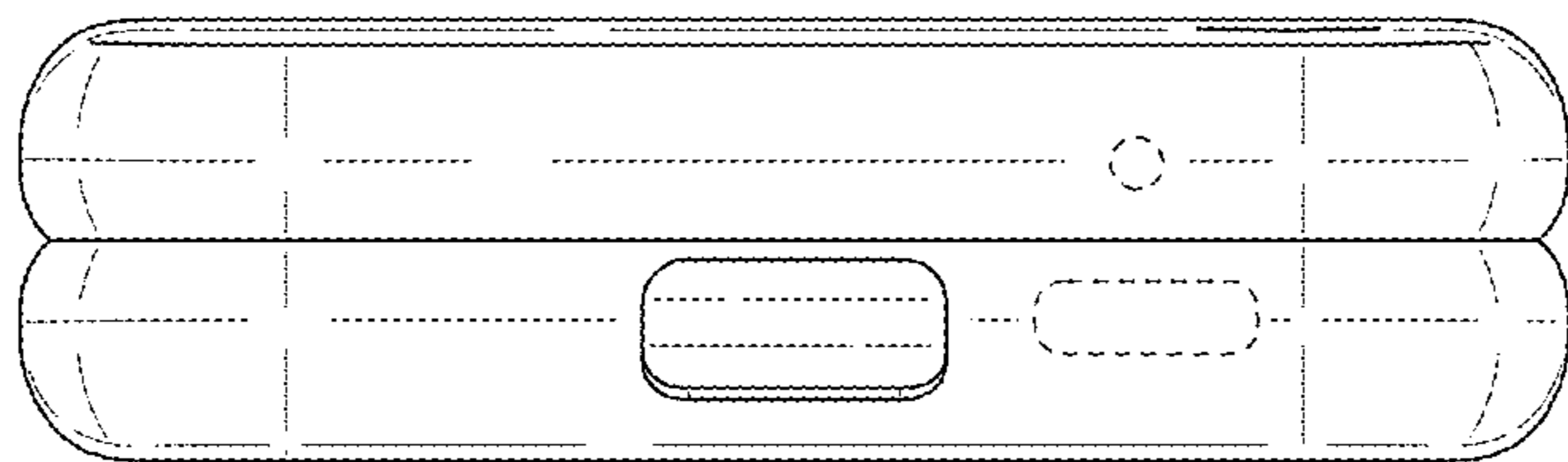


FIG. 8

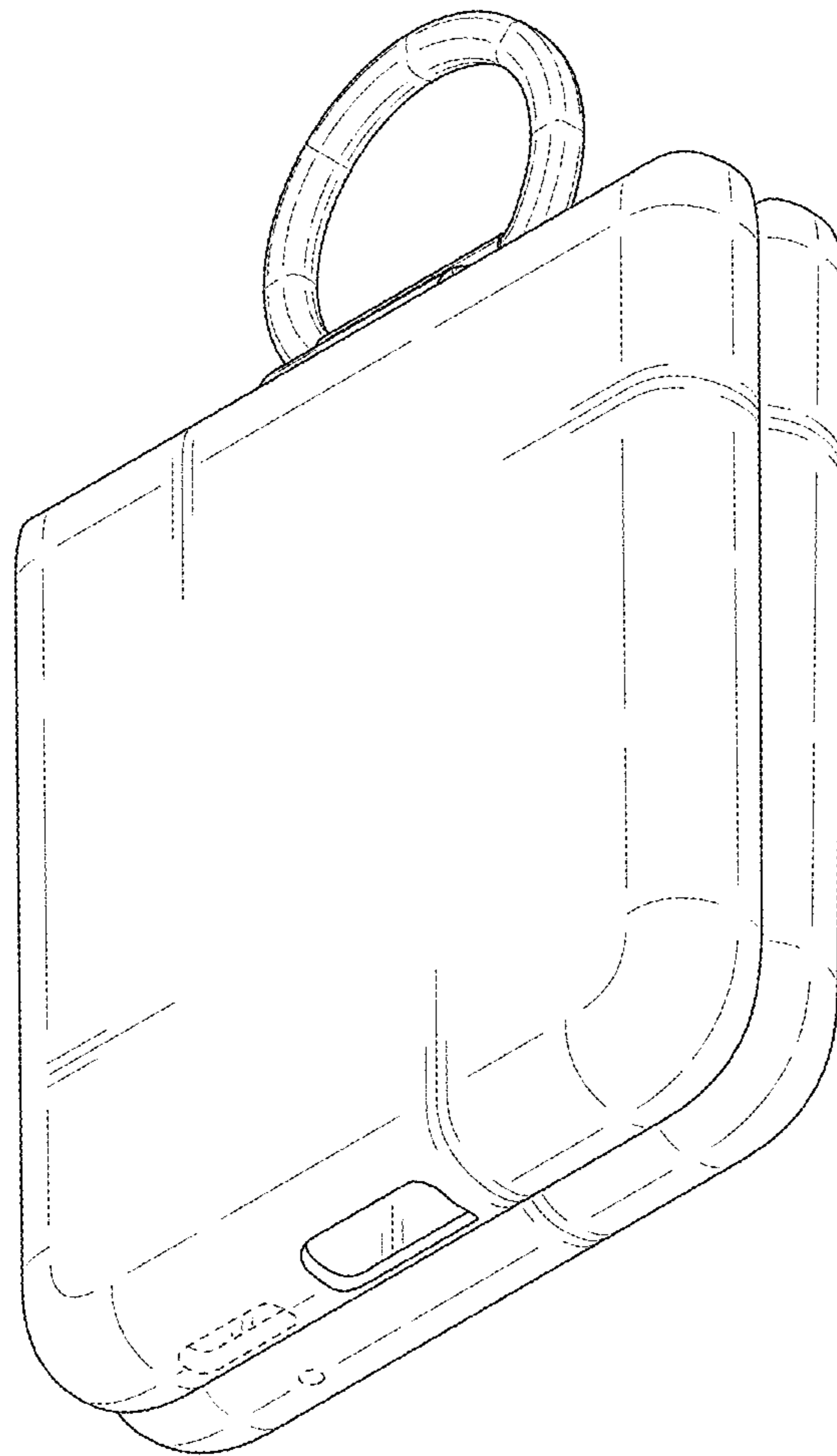


FIG. 9

