



US00D987614S

(12) **United States Design Patent**  
**Myung et al.**

(10) **Patent No.:** **US D987,614 S**

(45) **Date of Patent:** **\*\* May 30, 2023**

(54) **CASE FOR PORTABLE ELECTRONIC DEVICE**

(71) Applicant: **Samsung Electronics Co., Ltd.**,  
Suwon-si (KR)

(72) Inventors: **Jieun Myung**, Suwon-si (KR); **Dahyun Lee**, Suwon-si (KR); **Junho Jin**, Suwon-si (KR); **Bosoon Kang**, Suwon-si (KR); **Jinhoo Lee**, Suwon-si (KR); **Junwon Lee**, Suwon-si (KR); **Namsu Kim**, Suwon-si (KR); **Jiyun Lim**, Suwon-si (KR); **Kangmoon Kim**, Suwon-si (KR)

(73) Assignee: **SAMSUNG ELECTRONICS CO., LTD.**, Suwon-si (KR)

(\*\*) Term: **15 Years**

(21) Appl. No.: **29/812,288**

(22) Filed: **Oct. 20, 2021**

(30) **Foreign Application Priority Data**

Apr. 30, 2021 (KR) ..... 30-2021-0021147

(51) **LOC (14) Cl.** ..... **14-03**

(52) **U.S. Cl.**  
USPC ..... **D14/250**

(58) **Field of Classification Search**  
USPC ..... D13/107, 108; D14/217, 248, 250–253,  
D14/426, 432, 434, 440, 447  
CPC ..... H04B 1/3888; H04M 1/0283; H04M  
1/0202; A45F 2005/028; A45F 2200/0525  
See application file for complete search history.

(56) **References Cited**

**U.S. PATENT DOCUMENTS**

D782,436 S \* 3/2017 Kwak ..... D14/345  
D788,726 S \* 6/2017 Lee ..... D14/138 AB  
10,064,298 B2 \* 8/2018 Cavenagh ..... H04M 1/022  
D828,318 S \* 9/2018 Seo ..... D14/138 AD

D843,994 S \* 3/2019 Jeong ..... D14/250  
D851,920 S \* 6/2019 Mouriz ..... D3/218  
D851,921 S \* 6/2019 Goetz ..... D3/218  
D862,081 S \* 10/2019 Lange ..... D3/249  
D880,149 S \* 4/2020 Yang ..... D3/226  
D891,101 S \* 7/2020 Lv ..... D3/249  
D902,167 S \* 11/2020 Lee ..... D14/138 AB  
D908,353 S \* 1/2021 Peng ..... D3/249

(Continued)

**OTHER PUBLICATIONS**

Samsung Galaxy Z Flip 3 Phone Case, Silicone Protective Cover with Ring, publication date Jun. 20, 2021, [online] URL: <https://www.amazon.com/Samsung-Electronics-Protective-Shockproof-EF-PF711TNEGUS/dp/B0977LVHY4/> (Year: 2021).\*

Samsung Galaxy Z Flip 3 Phone Case, Aramid Protective Cover, publication date Aug. 11, 2021, [online] URL: <https://www.amazon.com/dp/B0977LWNC7/> (Year: 2021).\*

(Continued)

*Primary Examiner* — L. A. Grabenstetter

(74) *Attorney, Agent, or Firm* — McAndrews Held & Malloy, Ltd.

(57) **CLAIM**

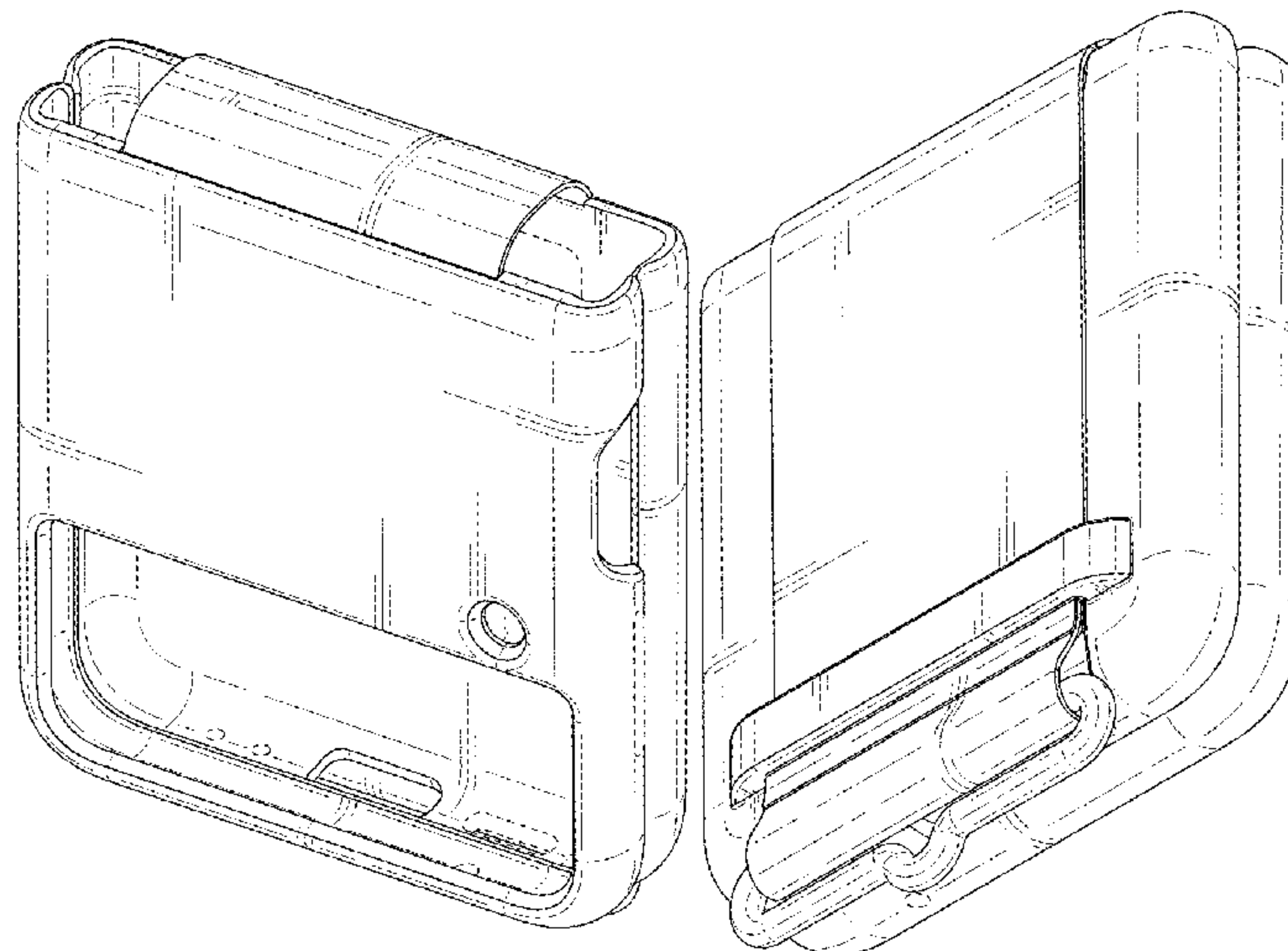
The ornamental design for a case for portable electronic device, as shown and described.

**DESCRIPTION**

FIG. 1 is a front perspective view of a case for portable electronic device showing our new design;  
FIG. 2 is a front view thereof;  
FIG. 3 is a rear view thereof;  
FIG. 4 is a left side view thereof;  
FIG. 5 is a right side view thereof;  
FIG. 6 is a top plan view thereof;  
FIG. 7 is a bottom plan view thereof; and,  
FIG. 8 is a rear perspective view thereof.

The dashed broken lines in the figures depict portions of the case for portable electronic device that form no part of the claimed design.

**1 Claim, 6 Drawing Sheets**



(56)

**References Cited**

U.S. PATENT DOCUMENTS

D911,323	S	*	2/2021	Kim	.....	D14/250
D933,644	S	*	10/2021	Choi	.....	D14/250
D935,170	S	*	11/2021	Yang	.....	D3/218
D947,829	S	*	4/2022	Choi	.....	D14/250
D954,014	S	*	6/2022	Song	.....	D14/138 AB
D964,956	S	*	9/2022	Gong	.....	D14/138 AB
D965,545	S	*	10/2022	Song	.....	D14/138 AB
D965,547	S	*	10/2022	Song	.....	D14/138 AB
D978,126	S	*	2/2023	Liu	.....	D3/218
2017/0123217	A1	*	5/2017	Dukerschein	.....	G02B 30/37
2017/0188675	A1	*	7/2017	Ahmed	.....	A45C 13/005
2022/0166456	A1	*	5/2022	Dannenberg	.....	H04B 1/3888
2023/0029701	A1	*	2/2023	Lee	.....	H04M 1/0214

OTHER PUBLICATIONS

Samsung Galaxy Z Flip3 Clear Cover with Ring, publication date Aug. 11, 2021, [online] URL: <https://www.amazon.com/SAMSUNG-Galaxy-Flip3-Clear-Cover/dp/B098KKKYMB/> (Year: 2021).\*

Samsung Galaxy Z Flip4 Silicone Cover with Ring, publication date Aug. 10, 2022, [online] URL: Samsung Galaxy Z Flip4 Silicone Cover with Ring (Year: 2022).\*

Samsung Galaxy Z Flip4 Flap Leather Cover, publication date Aug. 10, 2022, [online] URL: <https://www.amazon.com/SAMSUNG-Leather-Protective-Premium-Version/dp/B0B3ZBWR46/> (Year: 2022).\*

Samsung Galaxy Z Flip 4 Silicone Strap Cover, publication date Aug. 10, 2022, [online] URL: <https://www.amazon.com/SAMSUNG-Silicone-Protective-Surface-Handheld/dp/B0B3Z3WWYT/> (Year: 2022).\*

\* cited by examiner

FIG. 1

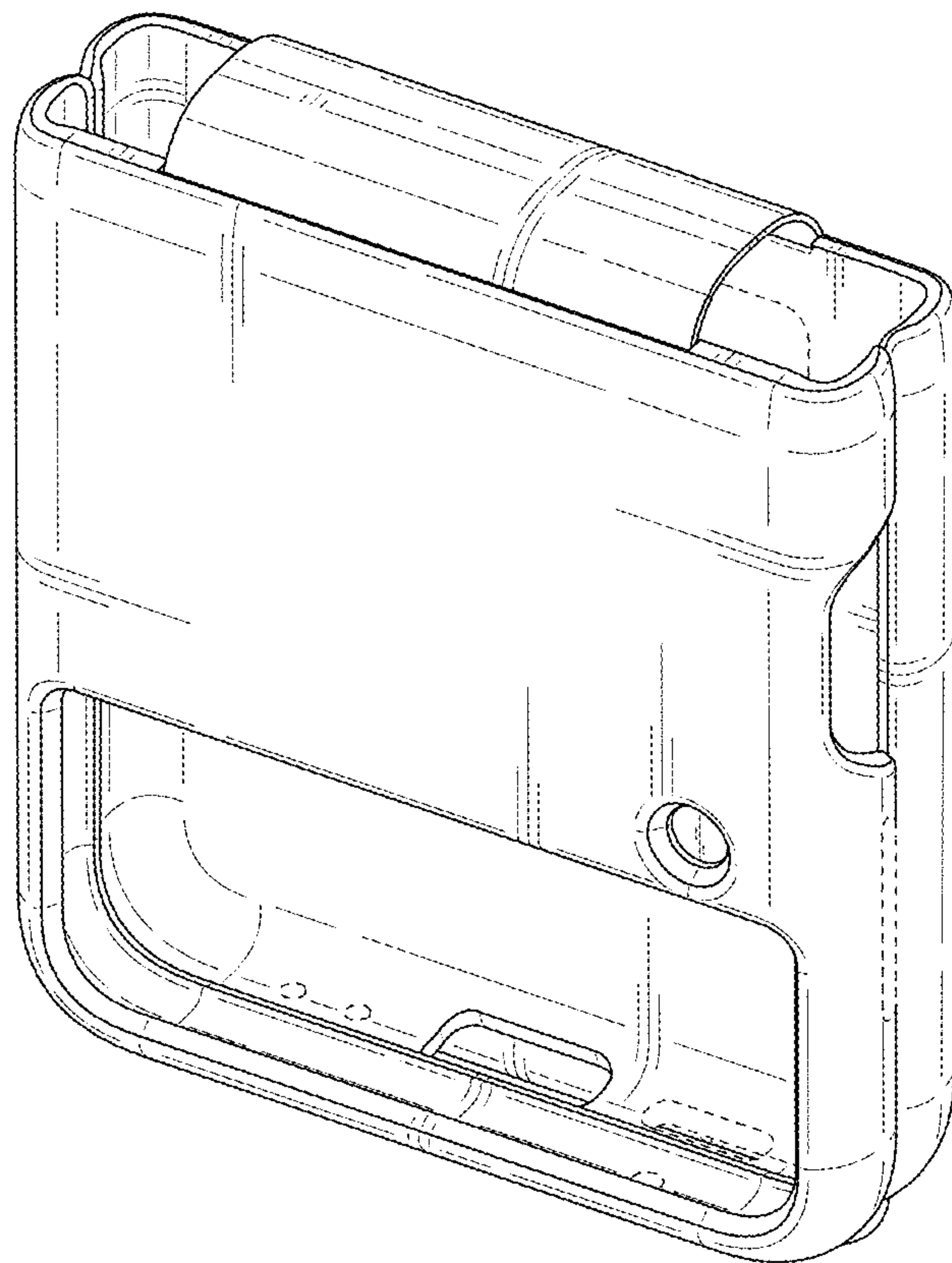


FIG. 2

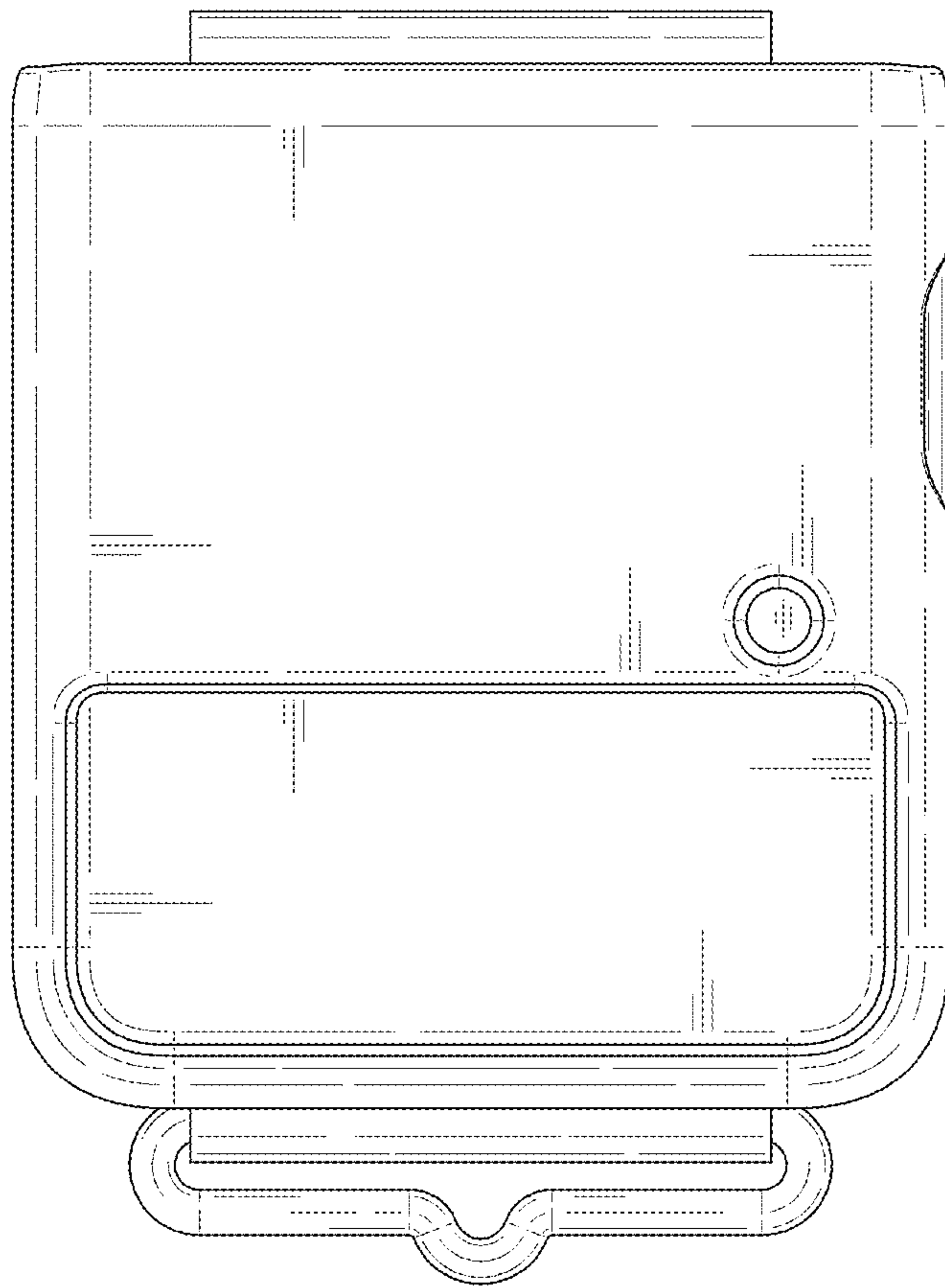


FIG. 3

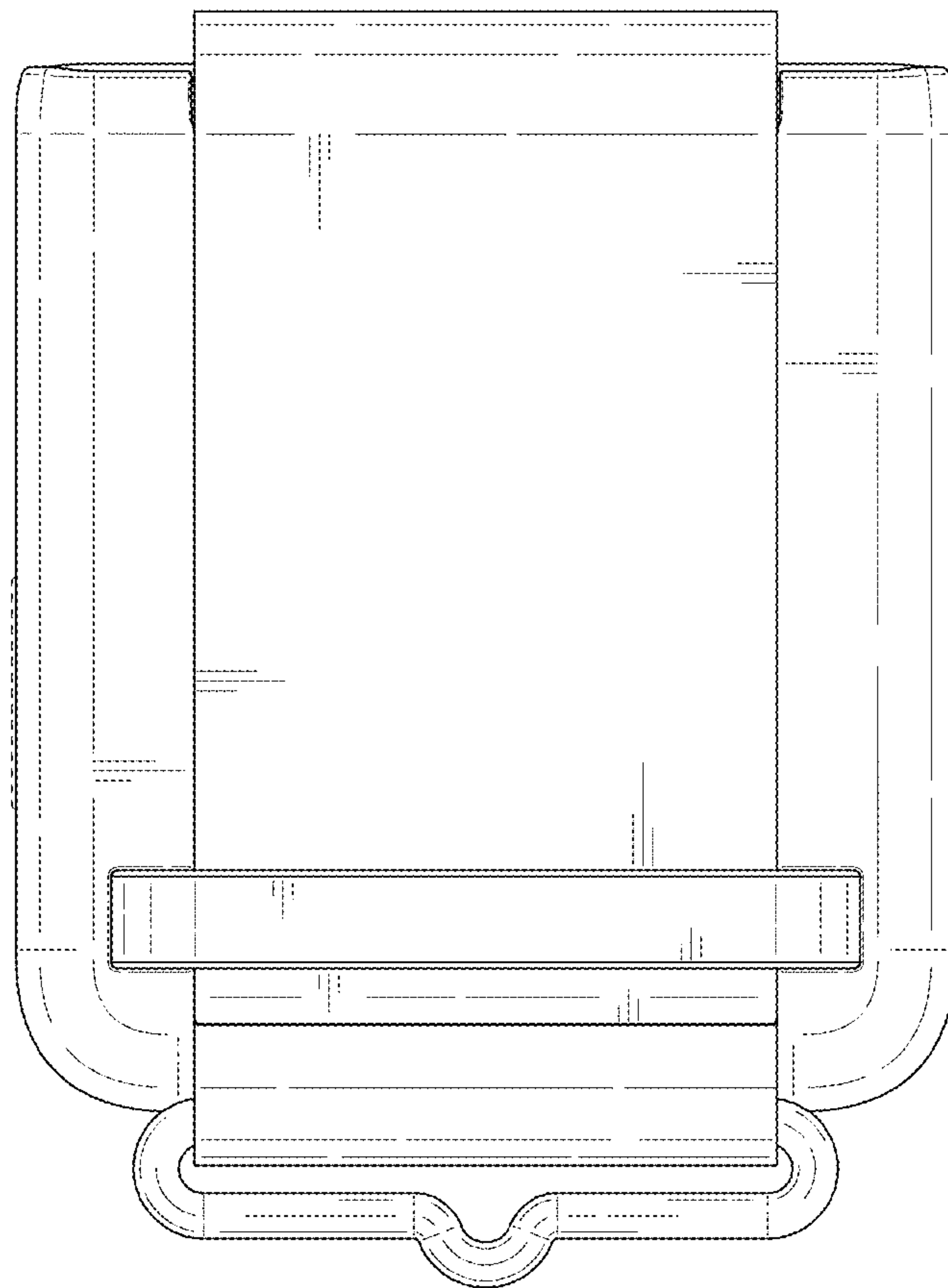




FIG. 4

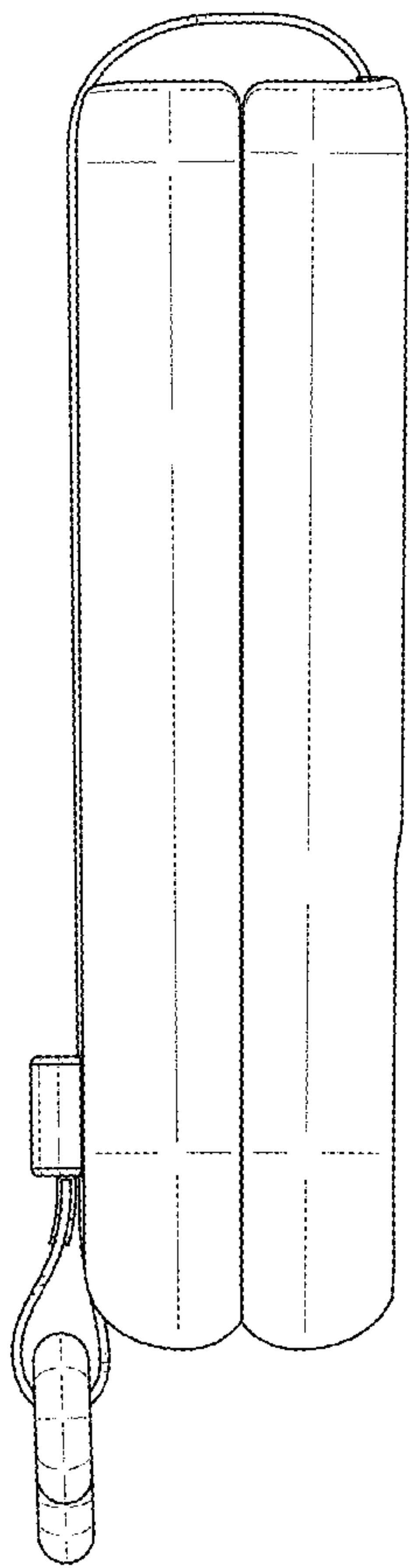


FIG. 5

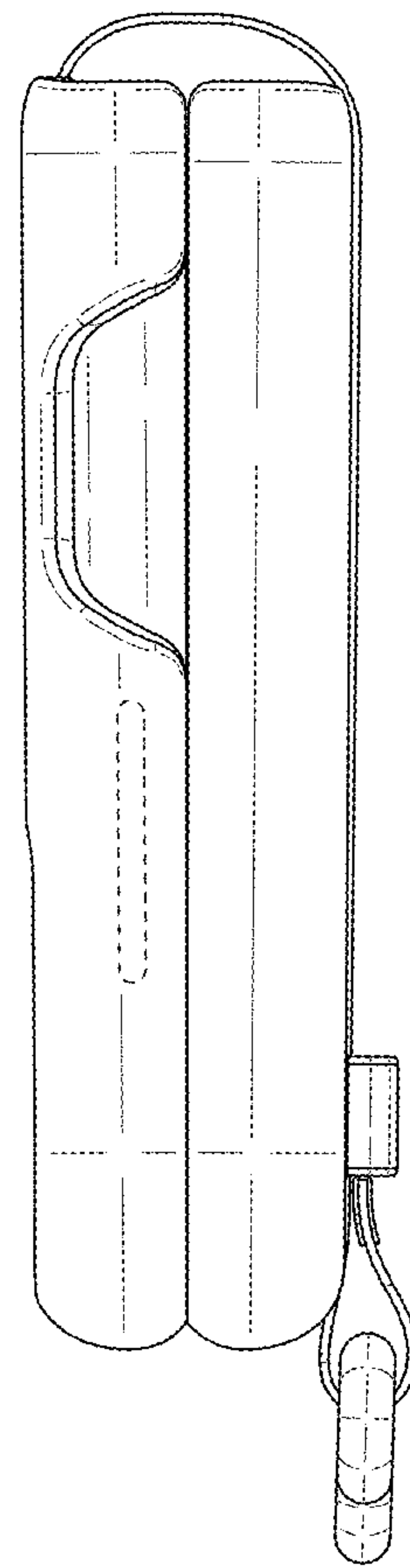


FIG. 6



FIG. 7

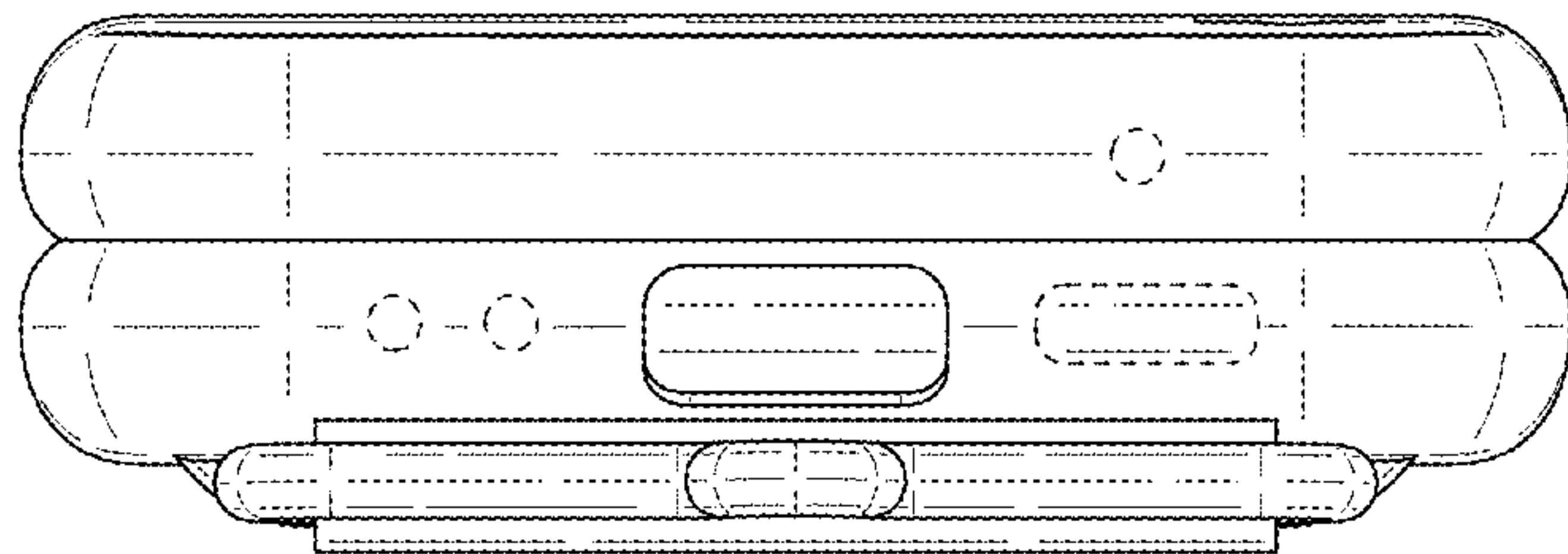


FIG. 8

