



US00D987608S

(12) **United States Design Patent** (10) **Patent No.:** **US D987,608 S**
Hamer (45) **Date of Patent:** **** May 30, 2023**

(54) **MODULAR PLATFORM FOR ANTENNA ARRAY**

D593,038 S * 5/2009 Singer D13/154
D660,804 S * 5/2012 Yoshii D13/155
D691,084 S * 10/2013 Ales D13/101

(Continued)

(71) Applicant: **SteelRock Technologies Limited**,
London (GB)

FOREIGN PATENT DOCUMENTS

(72) Inventor: **Chris Hamer**, Usk (GB)

CN 304111579 * 4/2017
CN 305981411 * 8/2020

(Continued)

(73) Assignee: **STEELROCK TECHNOLOGIES LIMITED**, London (GB)

OTHER PUBLICATIONS

(**) Term: **15 Years**

Chris Baraniuk, "UK firms develop Drone Freezing Ray" available at bbc.com. date published Oct. 8, 2015, site visited Sep. 8, 2022, Available at URL: <https://www.bbc.com/news/technology-34475158> (Year: 2015).*

(Continued)

(21) Appl. No.: **29/741,257**

(22) Filed: **Jul. 10, 2020**

(30) **Foreign Application Priority Data**

Jan. 30, 2020 (GB) 6081885

(51) **LOC (14) Cl.** **14-03**

(52) **U.S. Cl.**
USPC **D14/230**

(58) **Field of Classification Search**
USPC D14/230-239, 343; D13/101, 117, 18,
D13/154, 155

CPC H01Q 21/0025; H01Q 21/0037; H01Q
21/0018; H01Q 21/0087; H01Q 21/061;
H01Q 21/22; H01Q 3/01; H01Q 5/42

See application file for complete search history.

Primary Examiner — Daniel J Domino

Assistant Examiner — Samina Vieth

(74) *Attorney, Agent, or Firm* — Tarolli, Sundheim,
Covell & Tummino LLP

(57) **CLAIM**

I claim the ornamental design for a modular platform for antenna array, as shown and described.

DESCRIPTION

FIG. 1 is a perspective side view of a modular platform for antenna array showing my new, original, and ornamental design;

FIG. 2 is a side view thereof;

FIG. 3 is a top view thereof;

FIG. 4 is a bottom view thereof;

FIG. 5 is a front thereof; and,

FIG. 6 is a rear view thereof.

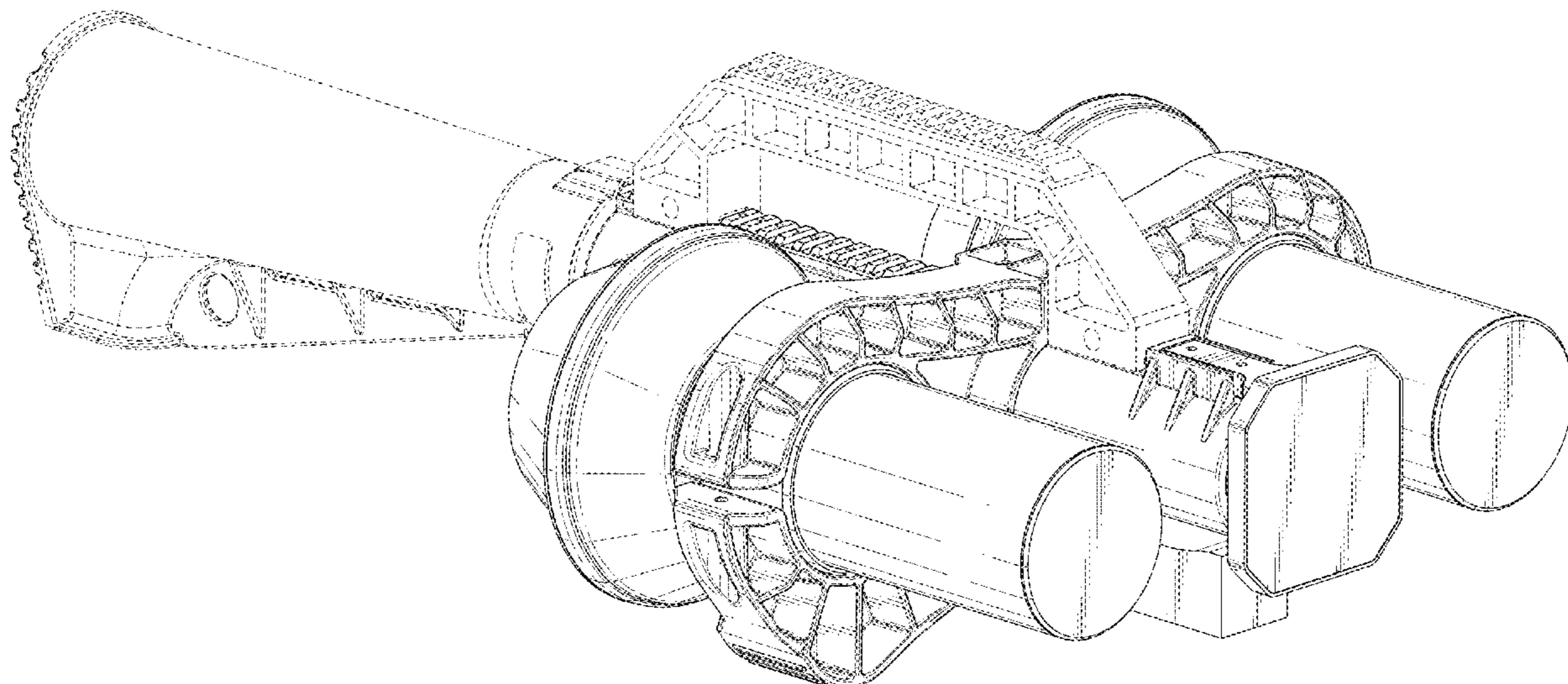
The broken line showing of certain structures in the drawings is for the purpose of illustrating optional features and forms no part of the claimed design.

1 Claim, 5 Drawing Sheets

(56) **References Cited**

U.S. PATENT DOCUMENTS

D297,770 S * 9/1988 Garrity, Sr. D26/49
D318,646 S * 7/1991 Karbassi D13/101
D329,043 S * 9/1992 Rogers D13/155
D367,468 S * 2/1996 Nakamura D13/154
D456,363 S * 4/2002 Lee D13/154
D474,447 S * 5/2003 Kano D13/133
D494,696 S * 8/2004 Kim D26/49
D509,011 S * 8/2005 Fritz D26/49



(56)

References Cited

U.S. PATENT DOCUMENTS

D691,085 S * 10/2013 Shargots D13/101
D695,677 S * 12/2013 Ales D13/101
D755,729 S * 5/2016 Smith D13/155
D836,072 S * 12/2018 Gray D13/155
D836,562 S * 12/2018 Karlsson D13/155
D840,920 S * 2/2019 Fletcher D13/101
D840,922 S * 2/2019 Fletcher D13/101
D840,923 S * 2/2019 Fletcher D13/101
D843,315 S * 3/2019 Fletcher D13/101
D844,550 S * 4/2019 Fletcher D13/101
D852,143 S * 6/2019 Ku D13/155
D881,823 S * 4/2020 Clowes D13/155
10,724,831 B1 * 7/2020 Walker F42B 12/56
D913,959 S * 3/2021 Joyce D13/155

FOREIGN PATENT DOCUMENTS

CN 307326584 * 5/2022
JP D1719272 * 6/2022

OTHER PUBLICATIONS

The Daily Aviation, "US is testing a new kind of Anti Drone Rifle" available at youtube.com, date published Feb. 14, 2021, site visited Sep. 8, 2022, Available at URL: https://www.youtube.com/watch?v=gSlgT_yN_hc (Year: 2021).*

HiKVision Drone Signal Jammer test defender Gun available at youtube.com, date published Mar. 31, 2017, site visited Sep. 8, 2022, Available at URL: <https://www.youtube.com/watch?v=6vTLKz397KU> (Year: 2017).*

* cited by examiner

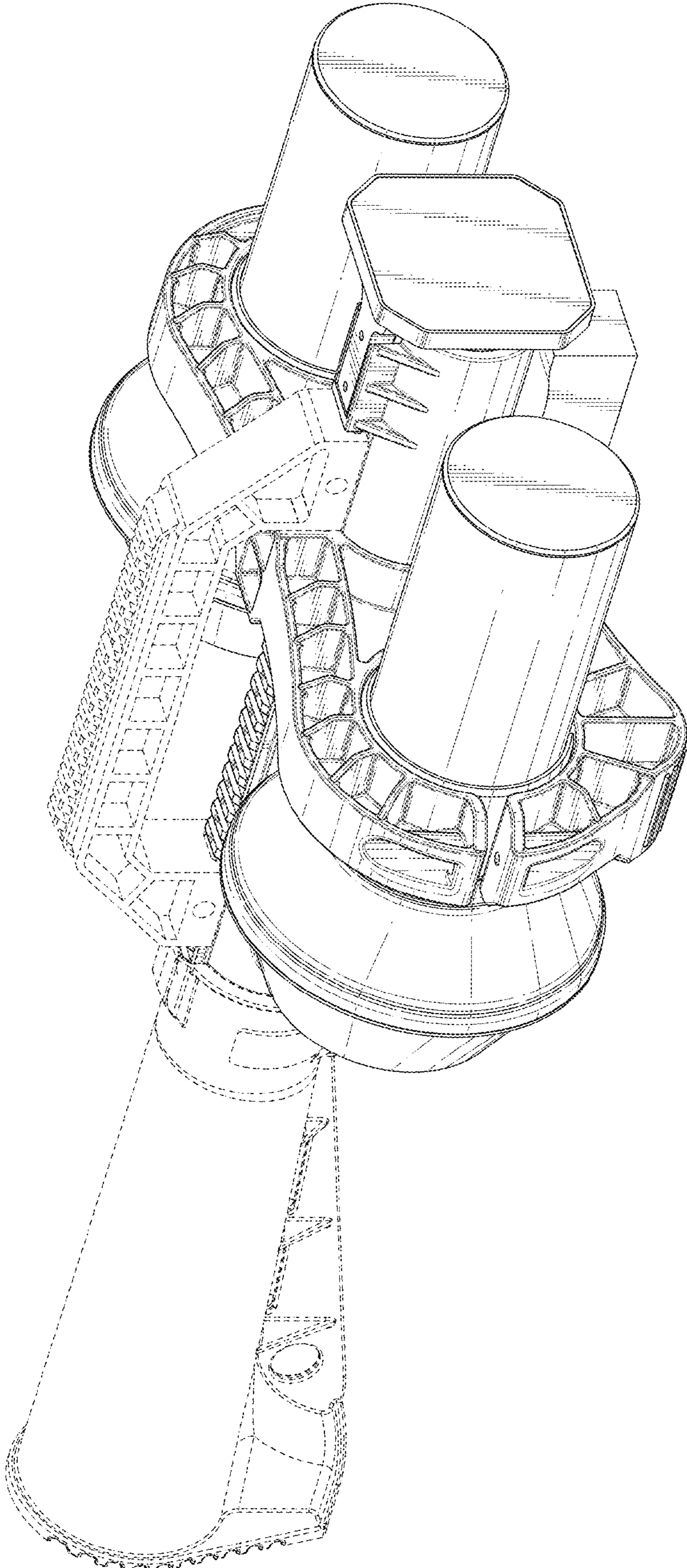


FIG. 1

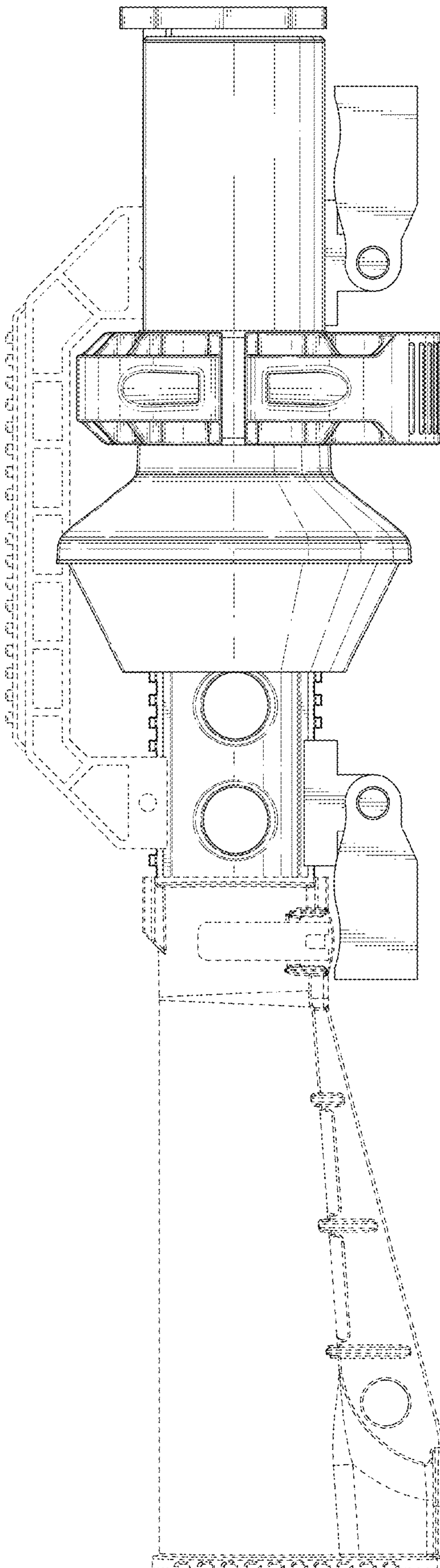


FIG. 2

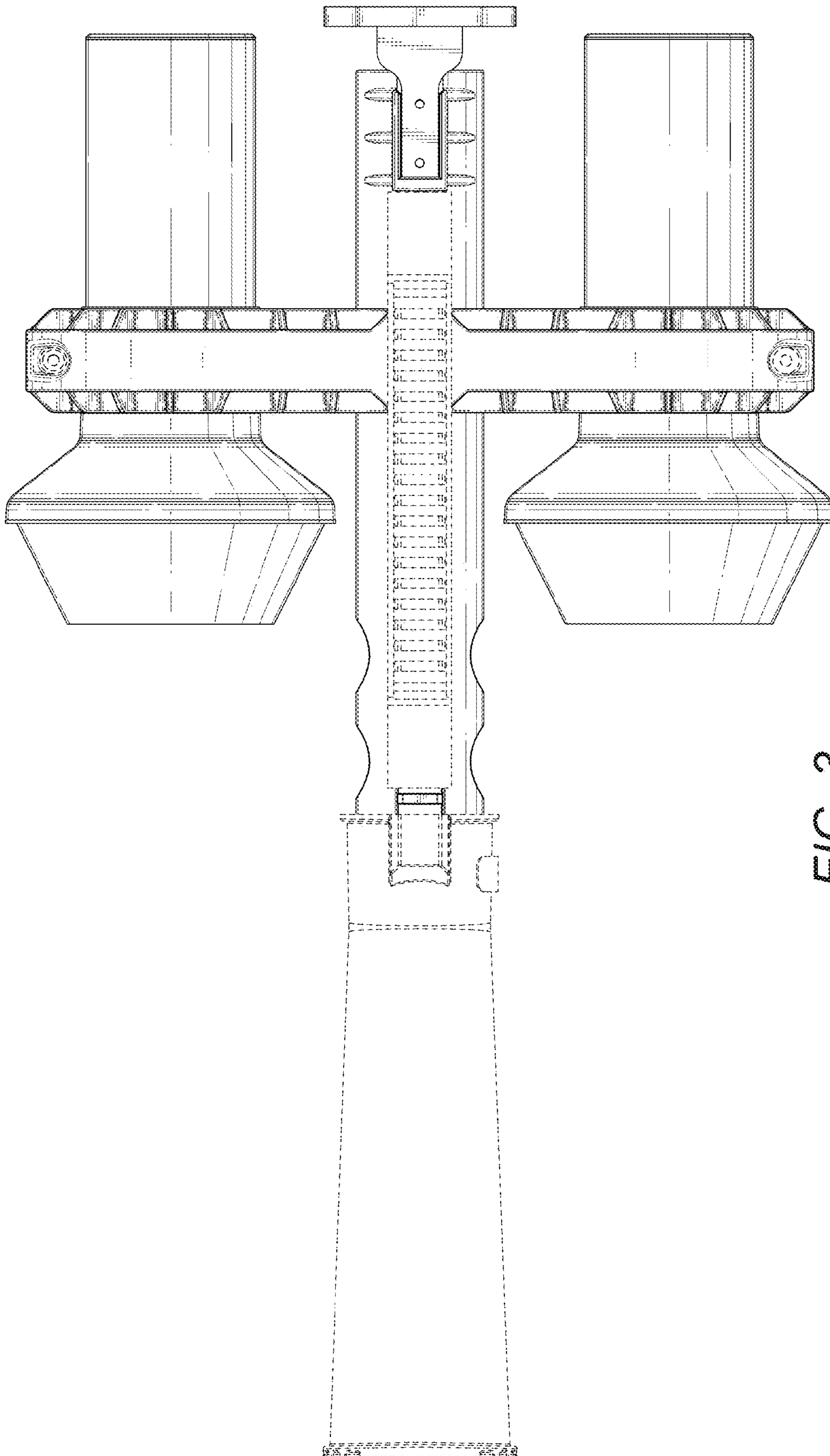


FIG. 3

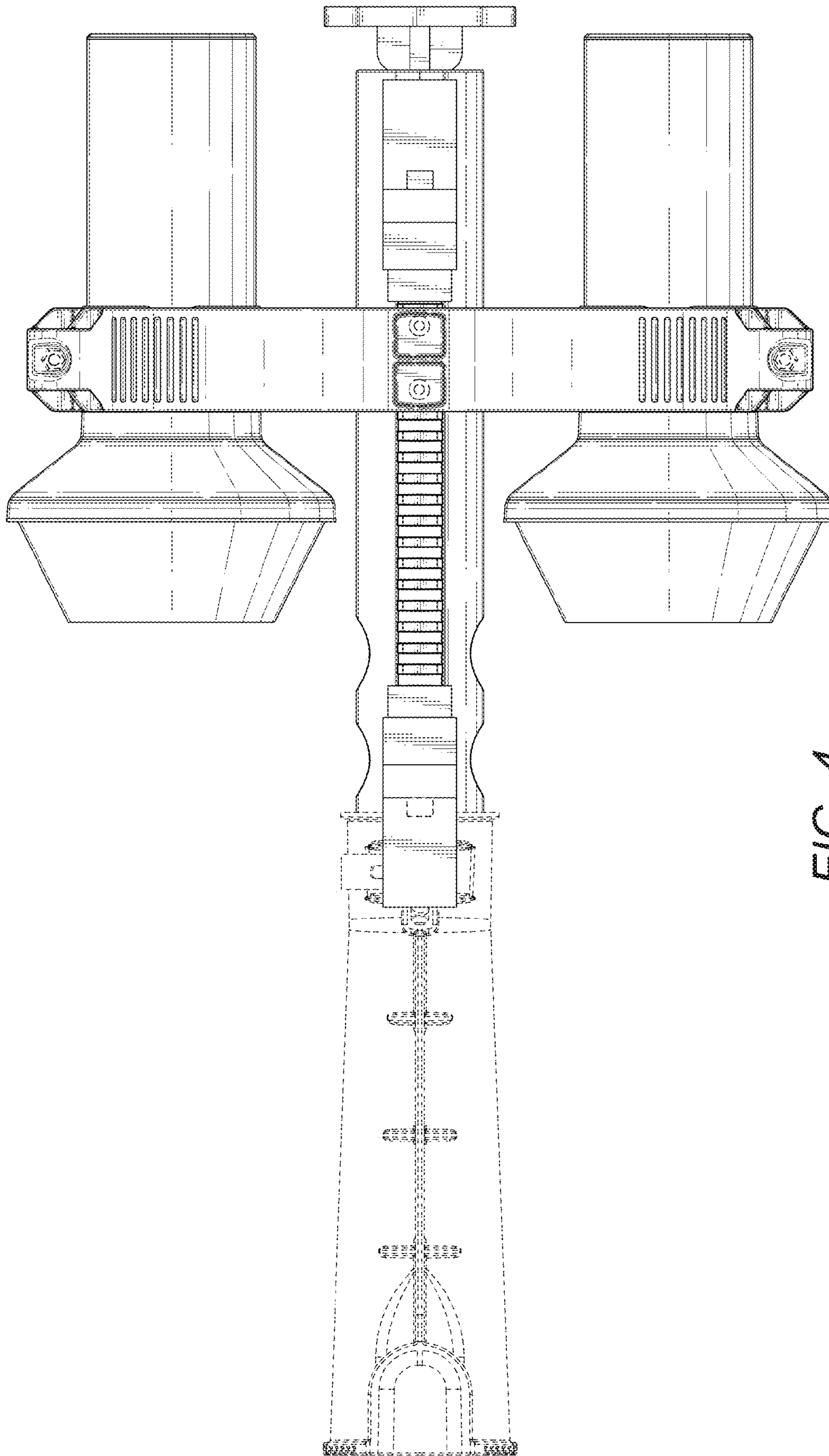


FIG. 4

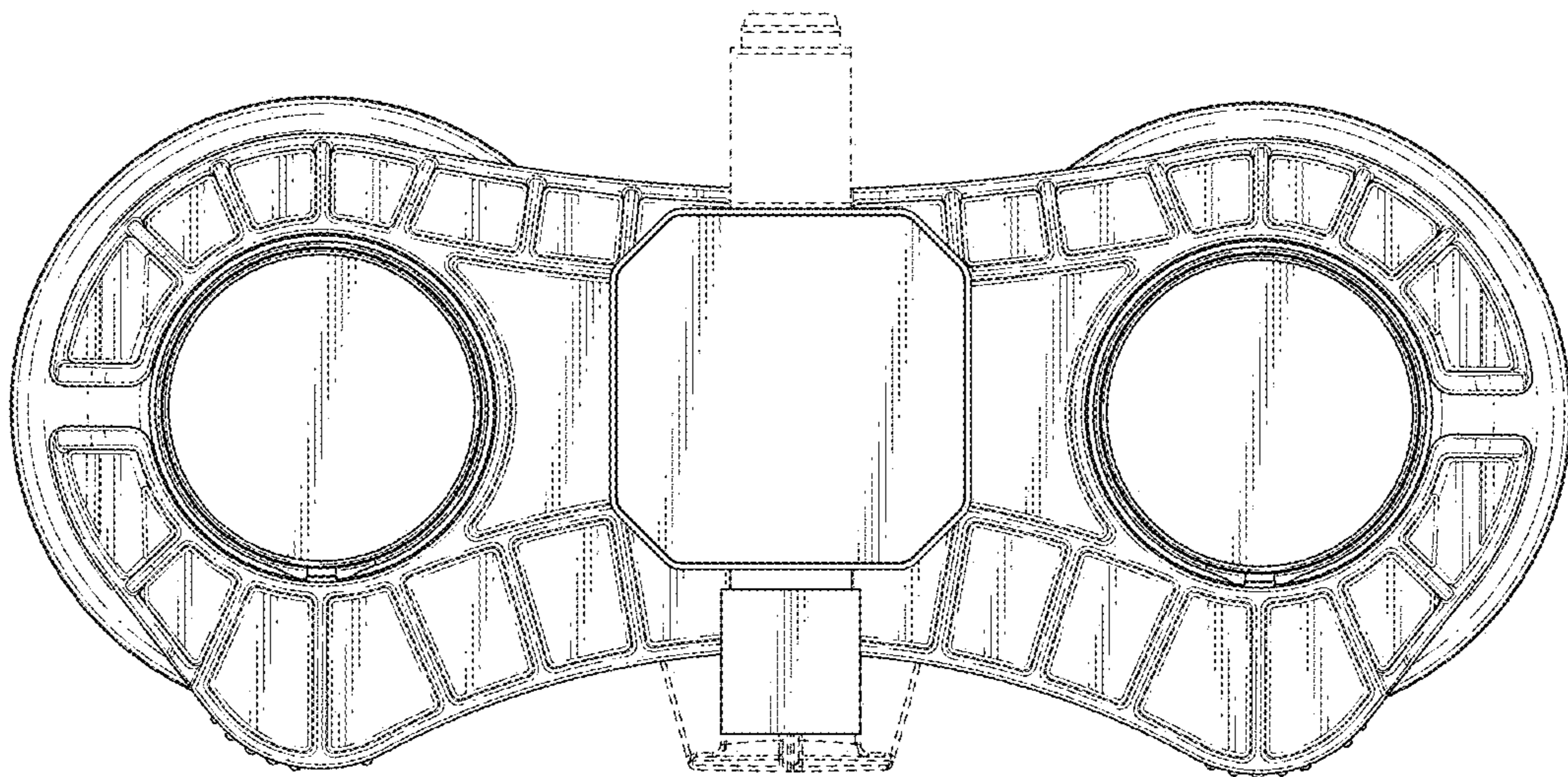


FIG. 5

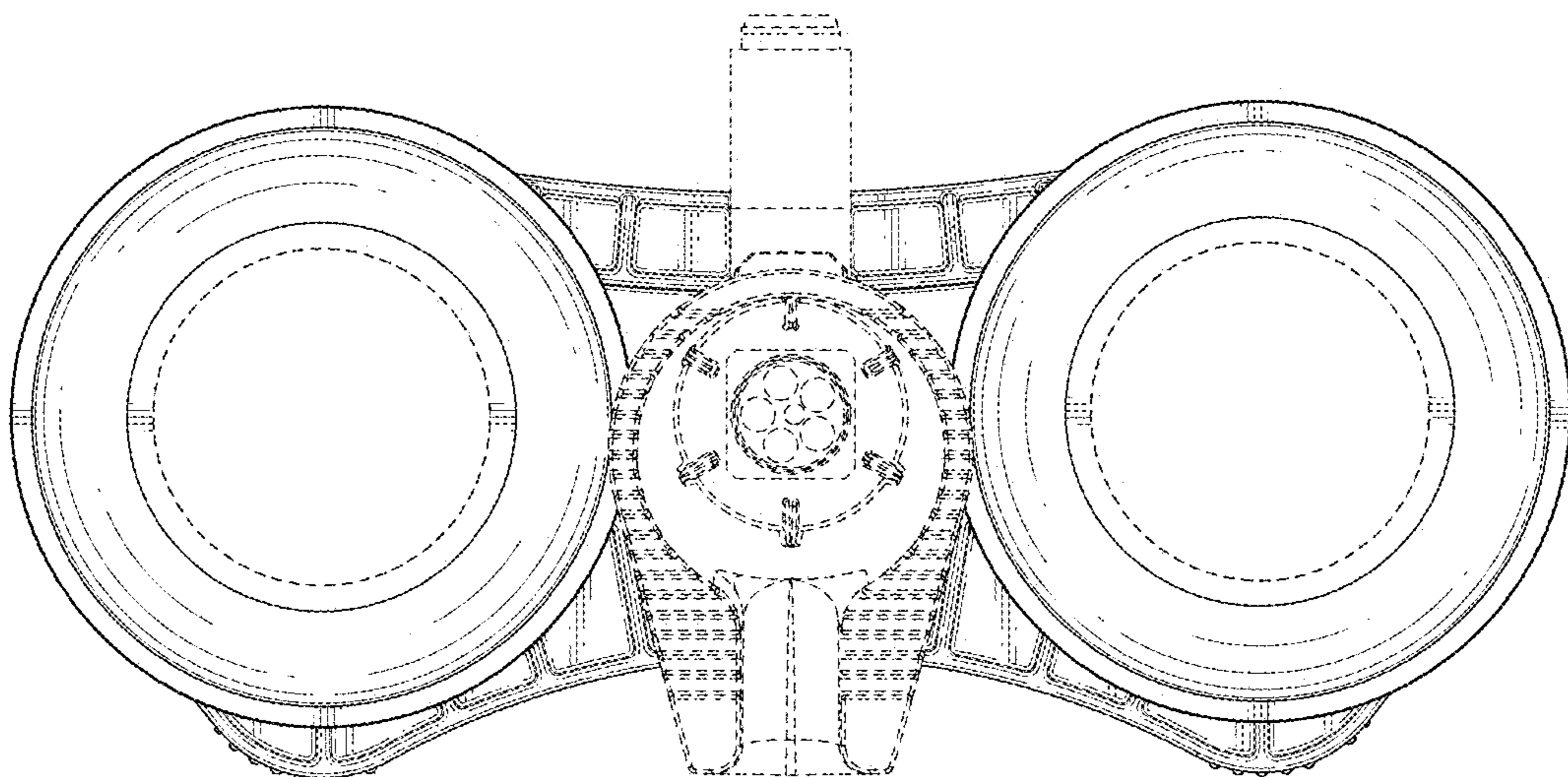


FIG. 6