



US00D987607S

(12) **United States Design Patent**
Miller et al.

(10) **Patent No.:** **US D987,607 S**
(45) **Date of Patent:** **** May 30, 2023**

- (54) **MICROPHONE**
- (71) Applicant: **Shure Acquisition Holdings, Inc.**,
Niles, IL (US)
- (72) Inventors: **John Matthew Miller**, Grayslake, IL
(US); **Jase Ruggles**, Niles, IL (US)
- (73) Assignee: **Shure Acquisition Holdings, Inc.**,
Niles, IL (US)
- (**) Term: **15 Years**
- (21) Appl. No.: **29/802,670**
- (22) Filed: **Aug. 6, 2021**
- (51) **LOC (14) Cl.** **14-01**
- (52) **U.S. Cl.**
USPC **D14/225**; D14/226
- (58) **Field of Classification Search**
USPC D14/225, 226, 217, 188, 192, 191, 253,
D14/496, 203.7, 137, 240, 167, 259;
D13/168; 224/670, 247, 241; 361/814,
361/756
CPC H04R 1/02; H04R 19/04; H04R 25/00;
A45F 5/00; A45F 5/02; H04B 1/38;
H04B 1/034; H04M 11/00; H04M 1/00
See application file for complete search history.

D314,964 S *	2/1991	Chung	D14/188
5,081,709 A *	1/1992	Benyo	A45F 5/02 224/679
5,133,428 A *	7/1992	Perrson	H04R 1/323 181/153
5,488,759 A *	2/1996	Lim	A45F 5/02 24/3.12
5,748,454 A *	5/1998	Nichols	H01M 50/256 24/3.12
5,950,897 A *	9/1999	Kao	A45F 5/021 224/268
5,974,304 A *	10/1999	Chen	H04B 1/086 455/90.3

(Continued)

FOREIGN PATENT DOCUMENTS

CN	301901505	*	5/2012
CN	307293429	*	4/2022

(Continued)

Primary Examiner — Paula Allen Greene

(74) *Attorney, Agent, or Firm* — Banner & Witcoff, Ltd.

(57) **CLAIM**

The ornamental design for a microphone, as shown and described.

DESCRIPTION

FIG. 1 is a front perspective view of a microphone showing our new design;
 FIG. 2 is a top view thereof;
 FIG. 3 is a bottom view thereof;
 FIG. 4 is a side view thereof;
 FIG. 5 is an opposite side view thereof;
 FIG. 6 is a rear view thereof; and,
 FIG. 7 is a front view thereof.

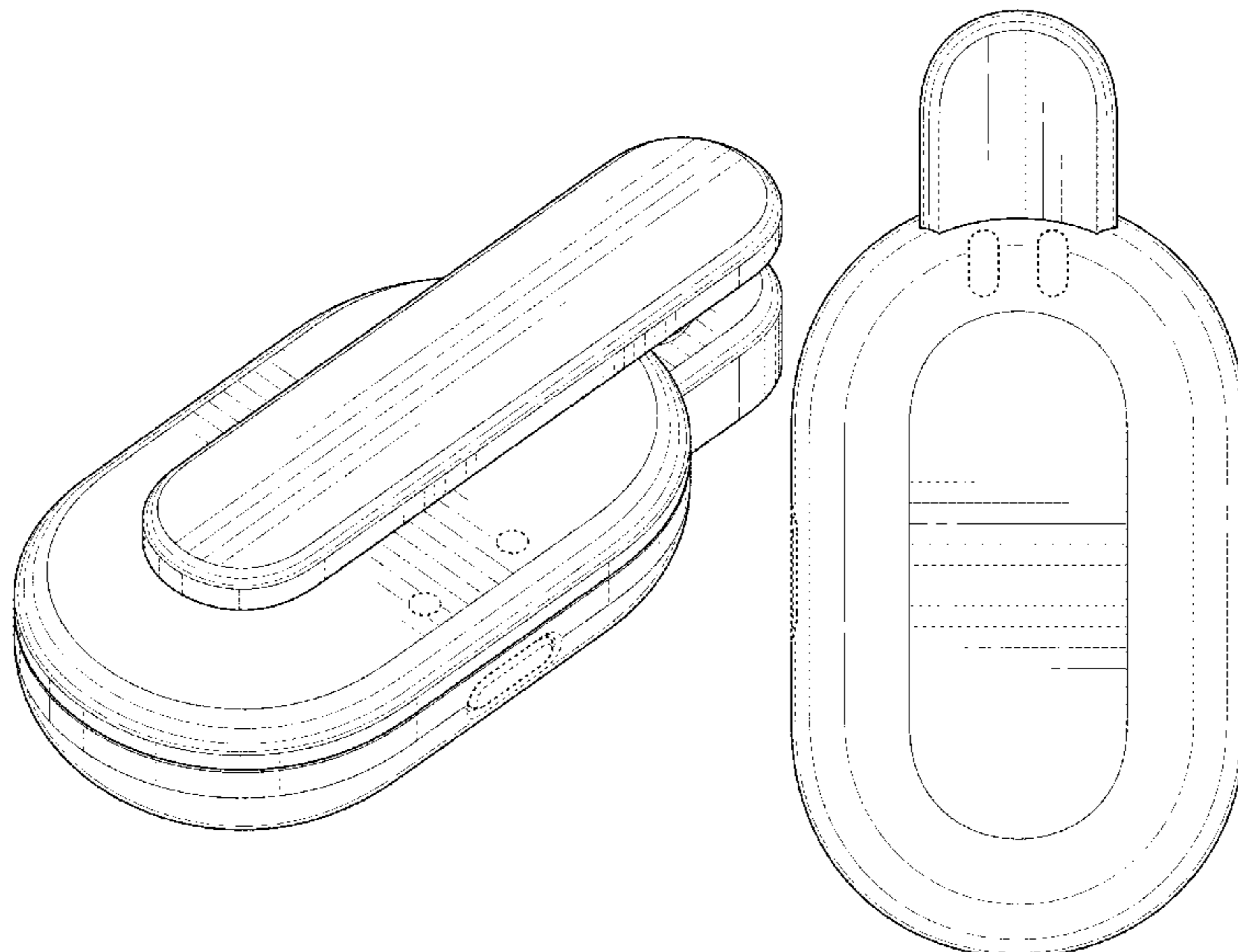
The broken lines immediately adjacent to the shaded area define the bounds of the claimed design and form no part thereof. The broken lines depicting the remainder of the microphone form no part of the claimed design.

1 Claim, 7 Drawing Sheets

(56) **References Cited**

U.S. PATENT DOCUMENTS

2,883,523 A *	4/1959	Meserow	H04B 5/00 200/61.47
D241,854 S *	10/1976	Noyes	D14/259
4,083,481 A *	4/1978	Selinko	H04B 1/088 224/269
4,635,836 A *	1/1987	Mooney	A45F 5/021 224/679
D290,356 S *	6/1987	Fisher	D14/191
D295,173 S *	4/1988	Oren	D14/168
D304,191 S *	10/1989	Sekine	D14/192



(56)

References Cited

U.S. PATENT DOCUMENTS

D473,217 S * 4/2003 Rivera D14/223
 D481,374 S * 10/2003 Lee D14/188
 D499,653 S * 12/2004 Karim D3/203.5
 D508,028 S * 8/2005 Deubler, Jr. D14/218
 D517,052 S * 3/2006 Skulley D14/223
 D535,974 S * 1/2007 Alwicker D14/188
 D554,630 S * 11/2007 Ma D14/240
 D555,146 S * 11/2007 Sandy D14/167
 D557,624 S * 12/2007 Coster D10/70
 D558,742 S * 1/2008 Koller D14/225
 D567,216 S * 4/2008 Densho D14/205
 D568,877 S * 5/2008 Bodley D14/225
 D575,280 S * 8/2008 Marquez D14/240
 D592,677 S * 5/2009 Sheba D14/496
 D602,919 S * 10/2009 Bodley D14/225
 D607,440 S * 1/2010 Yamakawa D14/206
 D616,899 S * 6/2010 Andre D14/496
 D635,125 S * 3/2011 Nousiainen D14/223
 D646,280 S * 10/2011 Yano D14/218
 D674,786 S * 1/2013 Park D14/240
 D684,122 S * 6/2013 Strater D13/153
 D688,272 S * 8/2013 Lee D14/496
 D716,274 S * 10/2014 Henning D14/223
 D719,553 S * 12/2014 Noto D17/99
 D719,928 S * 12/2014 Birger D14/203.3
 D736,188 S * 8/2015 Cavero D14/225
 D737,796 S * 9/2015 Liu D14/205
 D743,381 S * 11/2015 Pi D14/218

D894,159 S * 8/2020 Jacobs D14/223
 D910,580 S * 2/2021 Zhu D13/168
 D916,059 S * 4/2021 Jia D14/225
 D925,503 S * 7/2021 Wang D14/228
 D969,785 S * 11/2022 Chen D14/225
 D971,186 S * 11/2022 Deng D14/225
 D971,188 S * 11/2022 Deng D14/225
 2003/0027606 A1 * 2/2003 Tsai H04M 1/05
 455/575.2
 2003/0122784 A1 * 7/2003 Shkolnikov G06F 3/0234
 345/169
 2004/0100224 A1 * 5/2004 Chen H04M 1/04
 320/107
 2004/0108832 A1 * 6/2004 Hsiao H02J 7/0042
 320/107
 2008/0106432 A1 * 5/2008 Lai G08C 19/28
 340/4.3
 2011/0254509 A1 * 10/2011 Boczer H01M 10/0569
 429/127
 2013/0230752 A1 * 9/2013 Fujihara H01M 50/3425
 429/82
 2017/0240119 A1 * 8/2017 Tezino F16M 13/022
 2021/0004050 A1 * 1/2021 O'Neill A45F 5/021

FOREIGN PATENT DOCUMENTS

CN 307377174 * 5/2022
 CN 307377182 * 5/2022
 CN 307706094 * 12/2022
 GB 6238002 * 10/2022

* cited by examiner

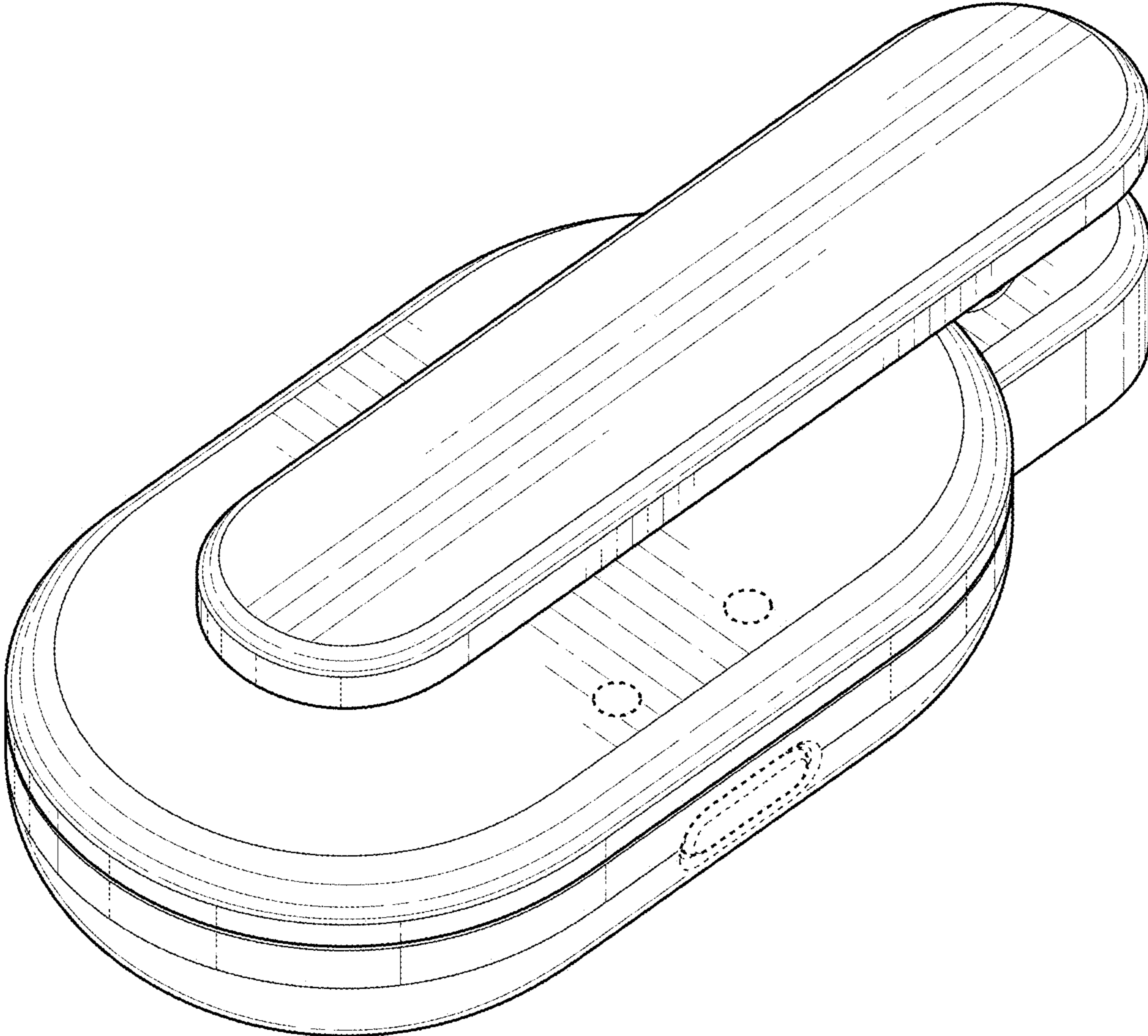


FIG. 1

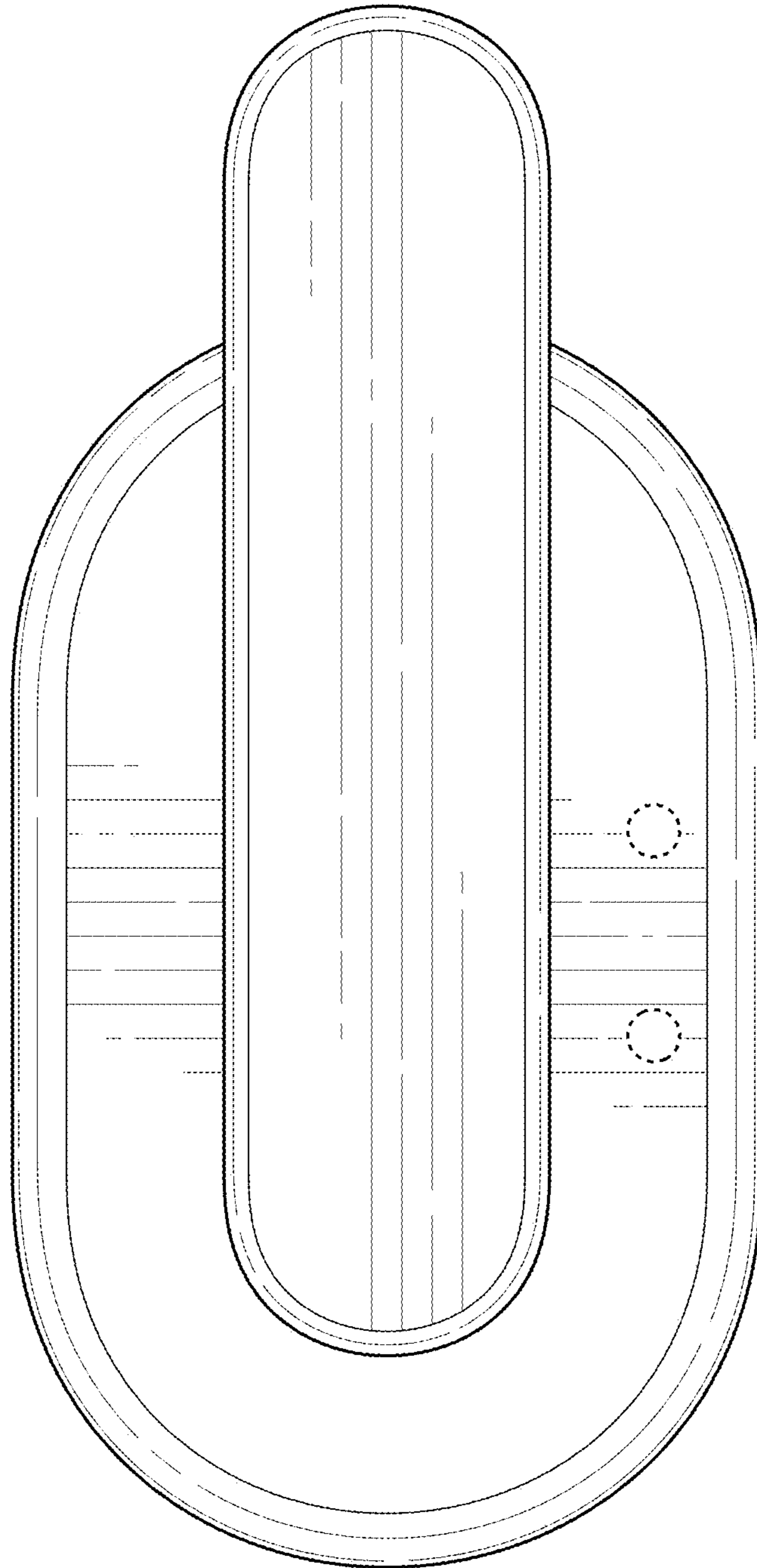


FIG. 2

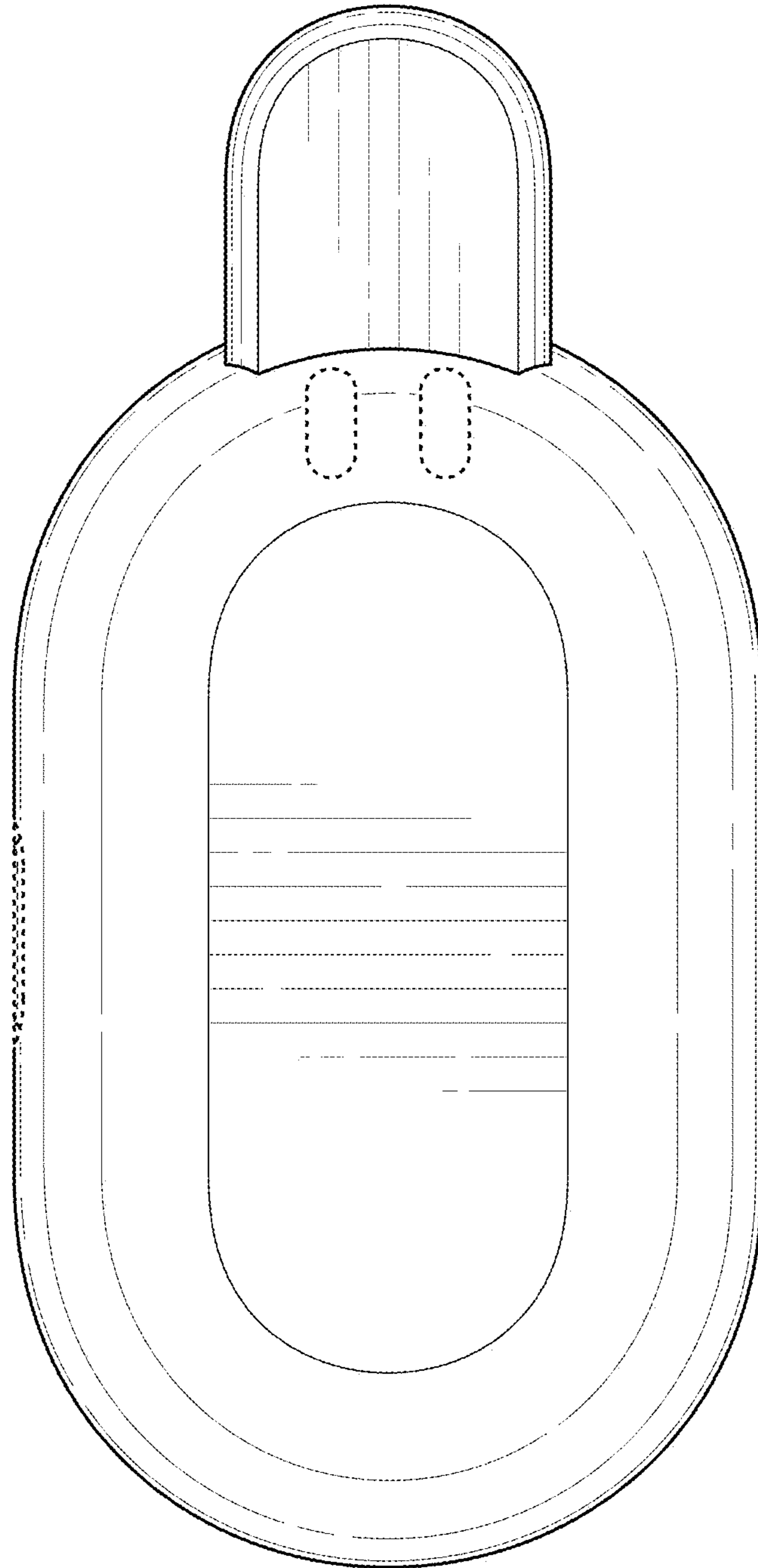


FIG. 3

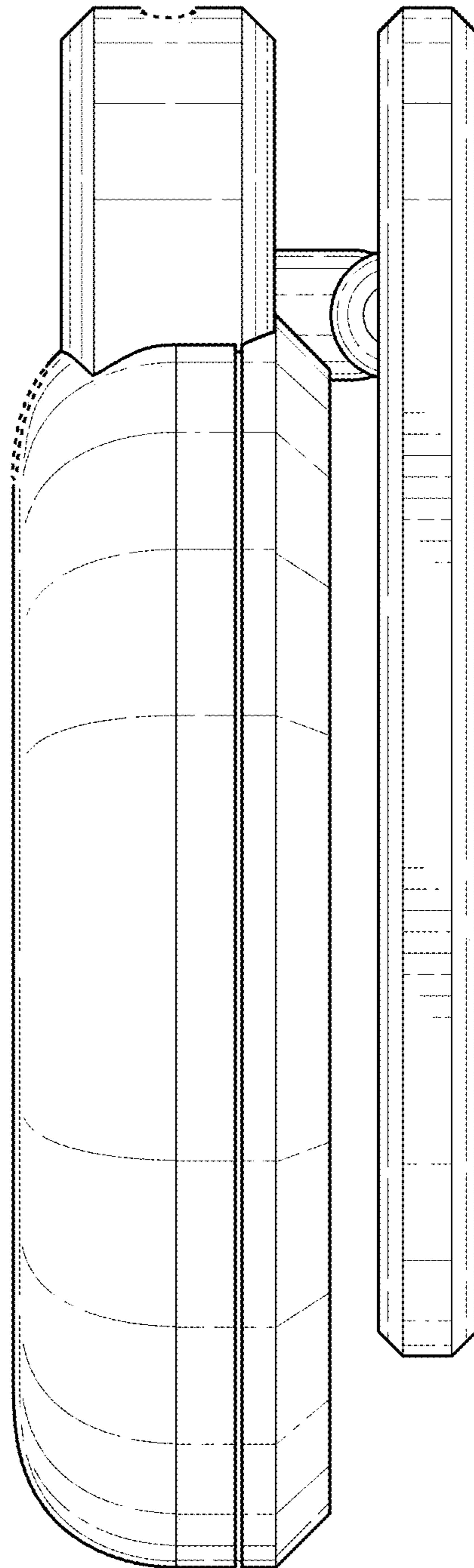


FIG. 4

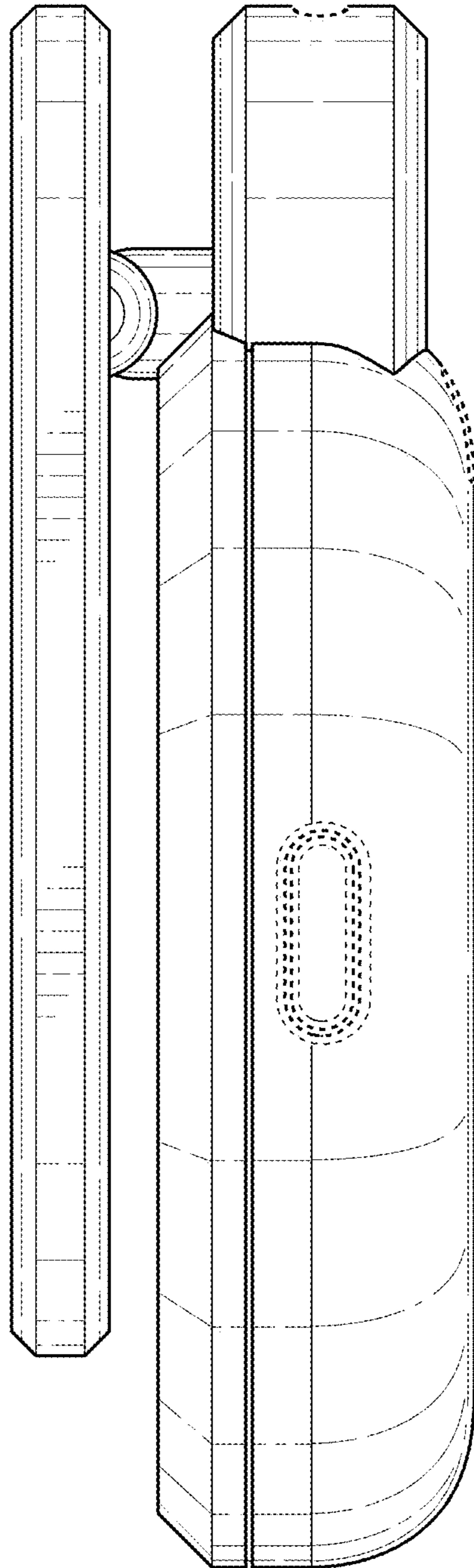


FIG. 5

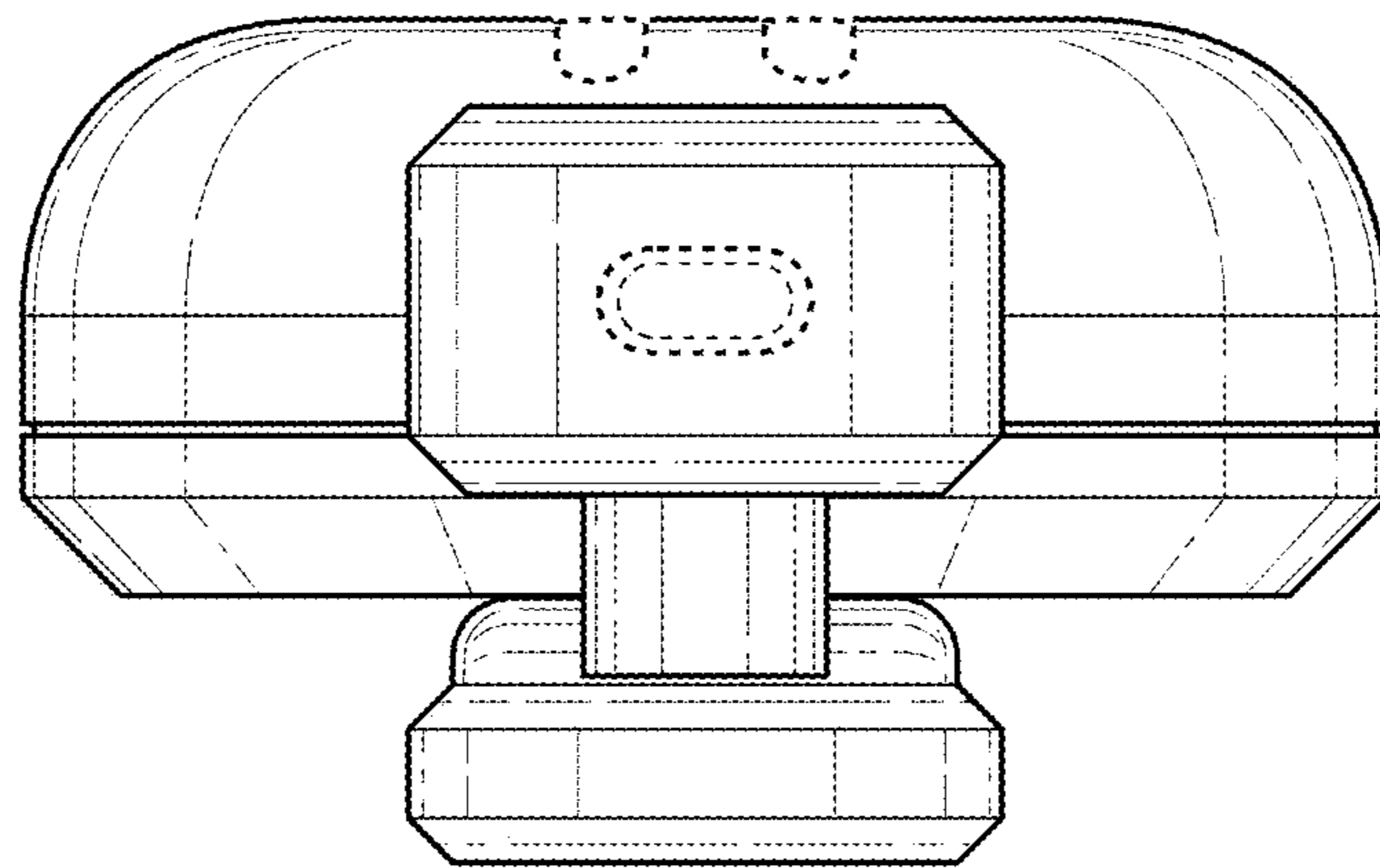


FIG. 6

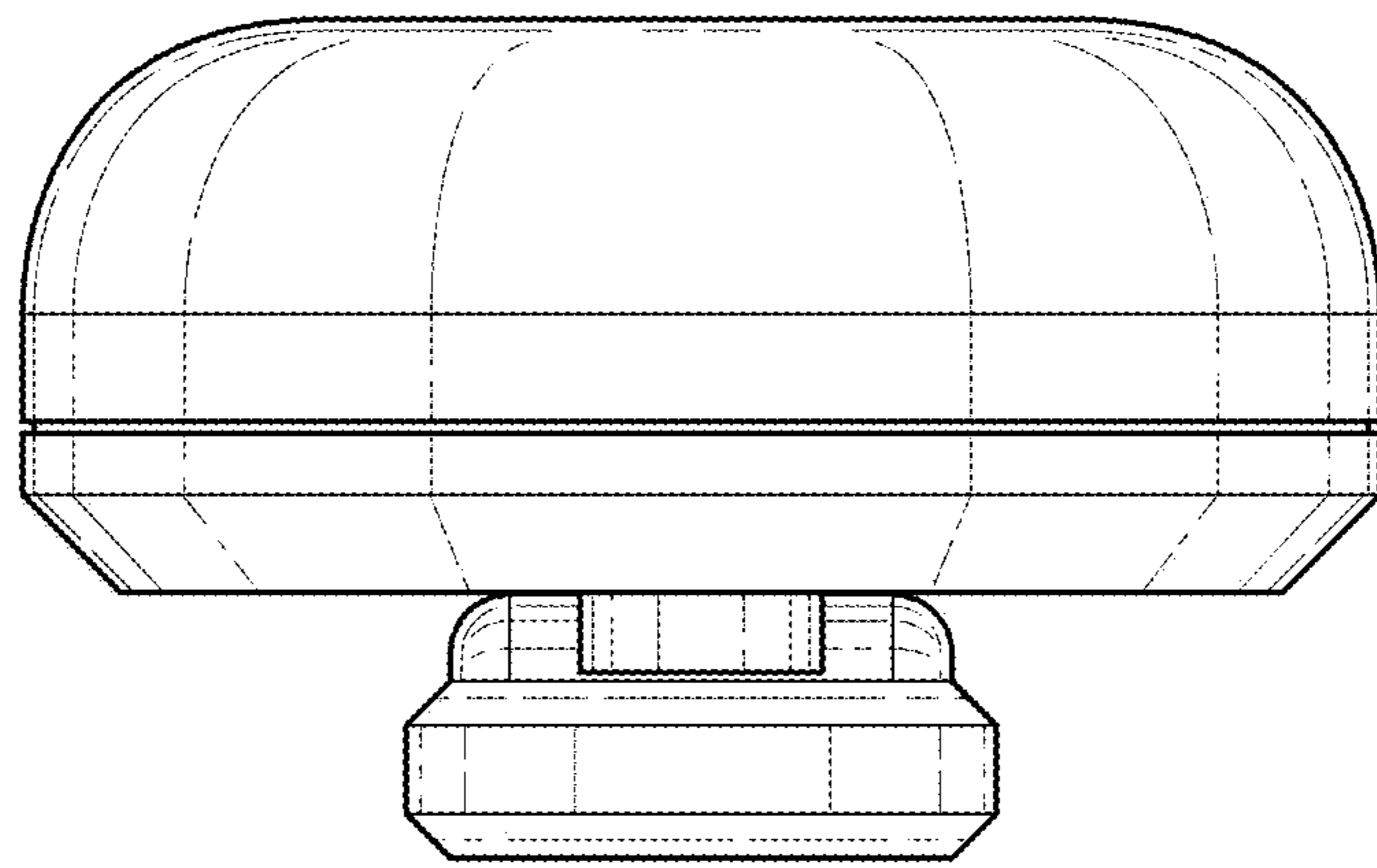


FIG. 7