



US00D987604S

(12) **United States Design Patent** (10) **Patent No.:** **US D987,604 S**
Bae et al. (45) **Date of Patent:** **** May 30, 2023**

(54) **REMOTE CONTROLLER FOR AUDIO PLAYER**

(71) Applicant: **LG ELECTRONICS INC.,** Seoul (KR)

(72) Inventors: **Jinwan Bae,** Seoul (KR); **Seungil Lee,** Seoul (KR); **Hophil Lee,** Seoul (KR); **Sanghyun Choi,** Seoul (KR)

(73) Assignee: **LG ELECTRONICS INC.,** Seoul (KR)

(**) Term: **15 Years**

(21) Appl. No.: **29/794,833**

(22) Filed: **Jun. 15, 2021**

(30) **Foreign Application Priority Data**

Jan. 4, 2021 (KR) 30-2021-0000177

(51) **LOC (14) Cl.** **14-03**

(52) **U.S. Cl.**
USPC **D14/218**

(58) **Field of Classification Search**
USPC D14/400, 412, 454, 398, 498, 499, 500, D14/507, 511, 160, 170, 172, 257, 258, D14/388, 392, 399, 203.1; D21/333, 325, D21/566; D12/174, 345, 179, 197, 192; D8/334, 331, 337, 310
CPC ... G06F 3/0362; G06F 3/03547; H04B 1/202; H04B 10/114; H03J 2200/24; H03J 2200/25; H03J 2200/26

See application file for complete search history.

(56) **References Cited**

U.S. PATENT DOCUMENTS

D225,620 S * 12/1972 Schmid D9/453
D589,046 S * 3/2009 Pascucci D14/408
D624,543 S * 9/2010 Kettula D14/218
D625,295 S * 10/2010 Nogueira D14/218
D644,209 S * 8/2011 Nardin D14/218

D648,323 S * 11/2011 Medas D14/454
D726,161 S * 4/2015 Howard D14/218
D746,794 S * 1/2016 Conrad D14/218
D760,146 S * 6/2016 Wilkinson F21V 13/04
D12/345
D766,696 S * 9/2016 Kemker D8/310

(Continued)

FOREIGN PATENT DOCUMENTS

JP D1702899 * 12/2021

OTHER PUBLICATIONS

Super Knob Control/Smart Control Panel, posted 2021 [online], [retrieved Sep. 15, 2022]. Retrieved from internet, <https://ifdesign.com/en/winner-ranking/project/super-knob-control-smart-control-panel/317306> (Year: 2021).*

Primary Examiner — Marie D. Fast Horse

Assistant Examiner — Josiah D. Parsons

(74) *Attorney, Agent, or Firm* — Birch, Stewart, Kolasch & Birch, LLP

(57) **CLAIM**

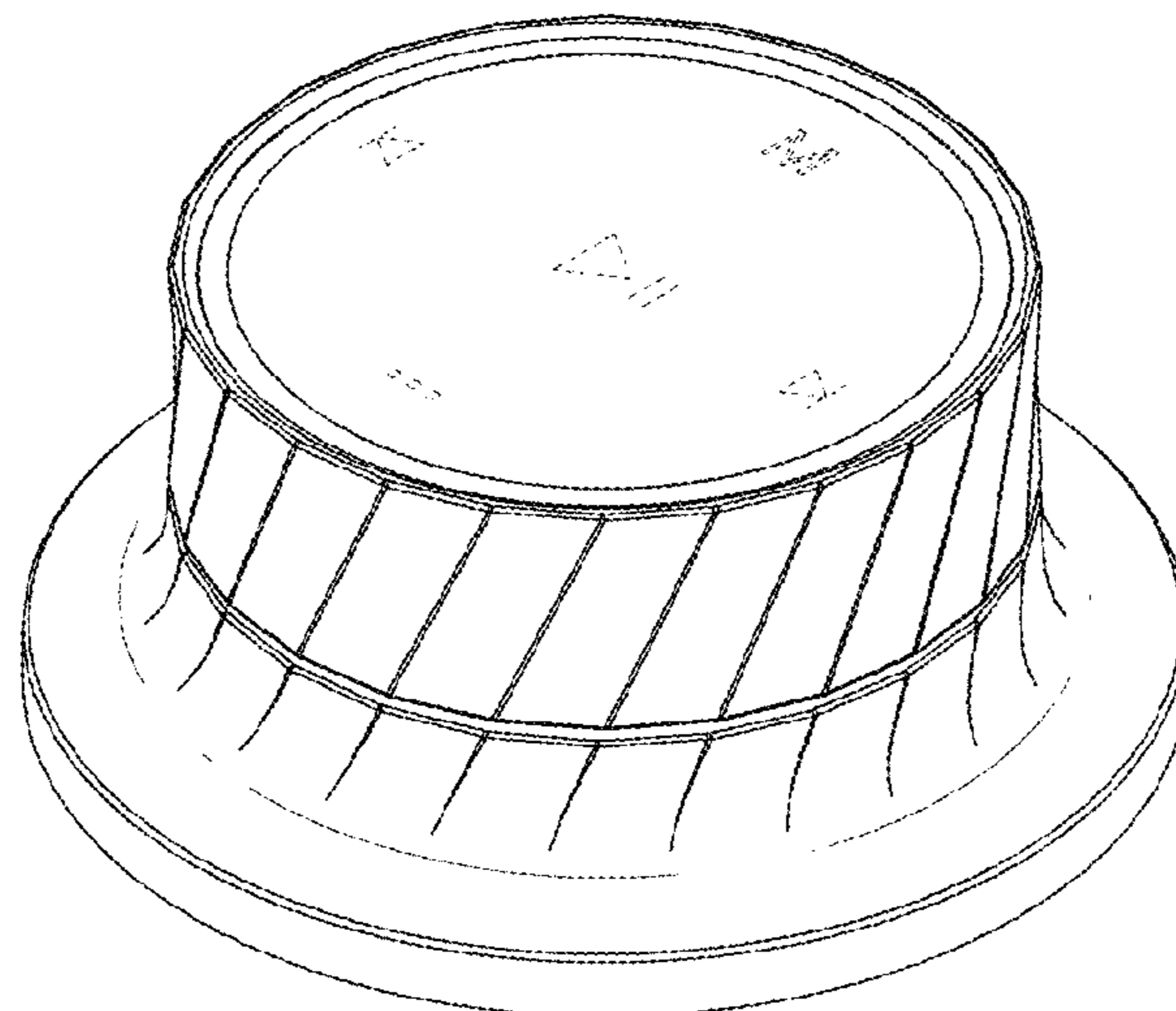
The ornamental design for a remote controller for audio player, as shown and described.

DESCRIPTION

FIG. 1 is a front, right side, perspective view of a remote controller for audio player showing our new design;
FIG. 2 is a front view thereof;
FIG. 3 is a rear view thereof;
FIG. 4 is a left side view thereof;
FIG. 5 is a right side view thereof;
FIG. 6 is a top view thereof;
FIG. 7 is a bottom view thereof; and,
FIG. 8 is another perspective view thereof, shown in an illuminated state for use.

The broken lines indicate portions of the article that form no part of the claimed design.

1 Claim, 8 Drawing Sheets



(56)

References Cited

U.S. PATENT DOCUMENTS

D791,775	S	*	7/2017	Park	D14/447
D816,046	S	*	4/2018	Kiong	D14/218
D828,518	S	*	9/2018	Boal	D23/254
D868,036	S	*	11/2019	Sohn	D14/218
D875,718	S	*	2/2020	Lee	D14/218
D879,053	S	*	3/2020	Yu	D14/218
D900,821	S	*	11/2020	Johnston	D14/218
D909,985	S	*	2/2021	Landerus	D14/218
D915,255	S	*	4/2021	Hoshino	D12/192
D924,865	S	*	7/2021	Endo	D14/258
D967,062	S	*	10/2022	Yang	D14/218
D970,286	S	*	11/2022	Cooper	D7/402
11,531,411	B2	*	12/2022	Huang	G06F 3/039
2020/0004376	A1	*	1/2020	Knoppert	G06F 3/0418

* cited by examiner

Figure 1

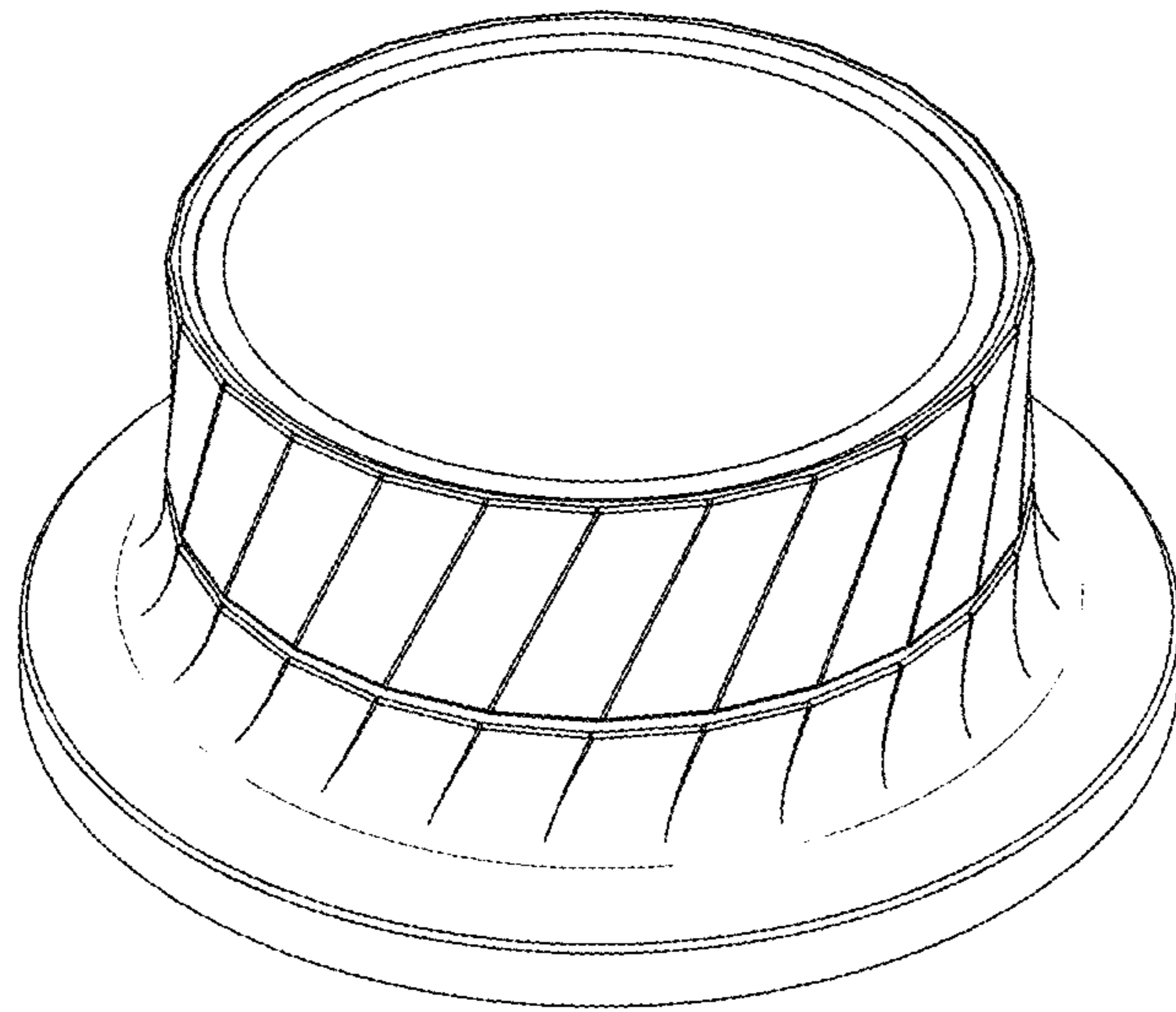


Figure 2

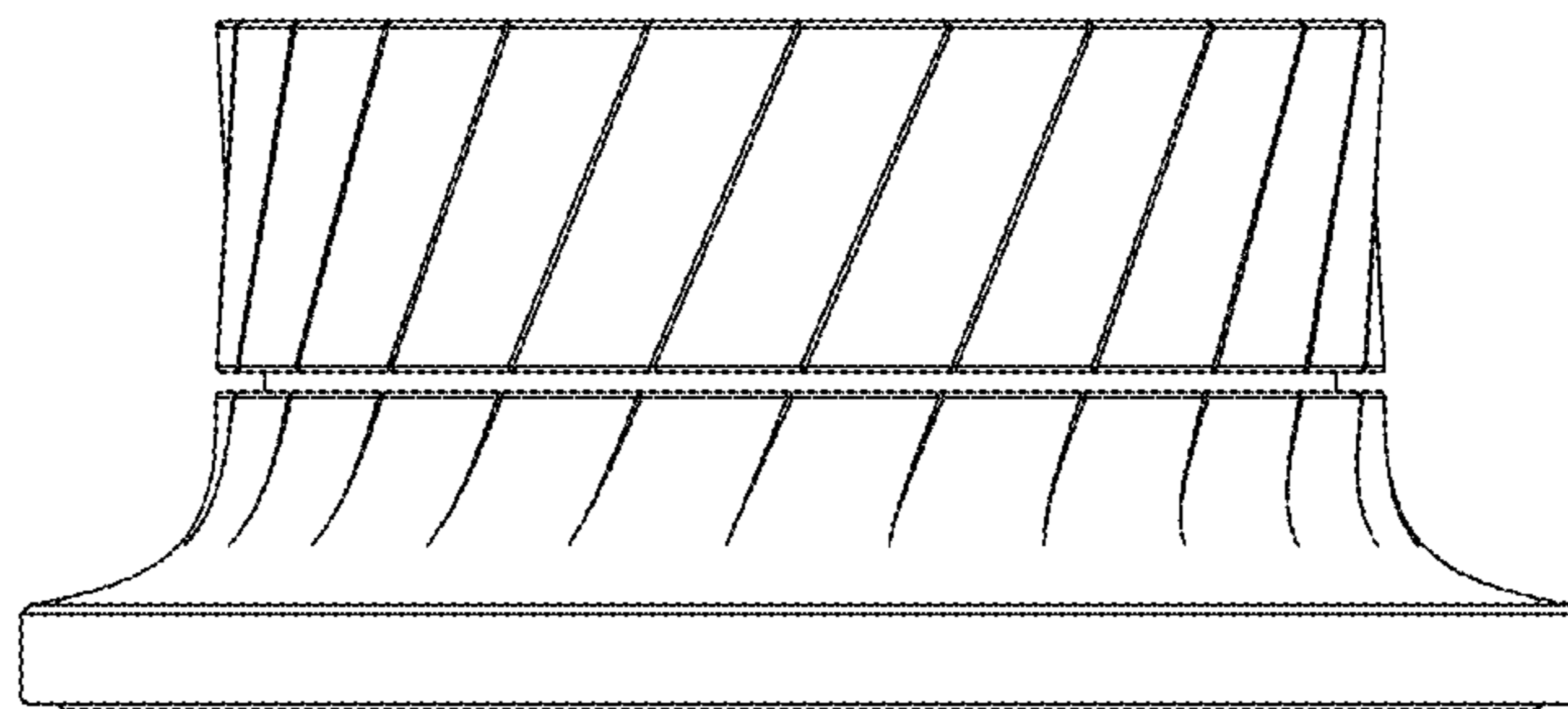


Figure 3

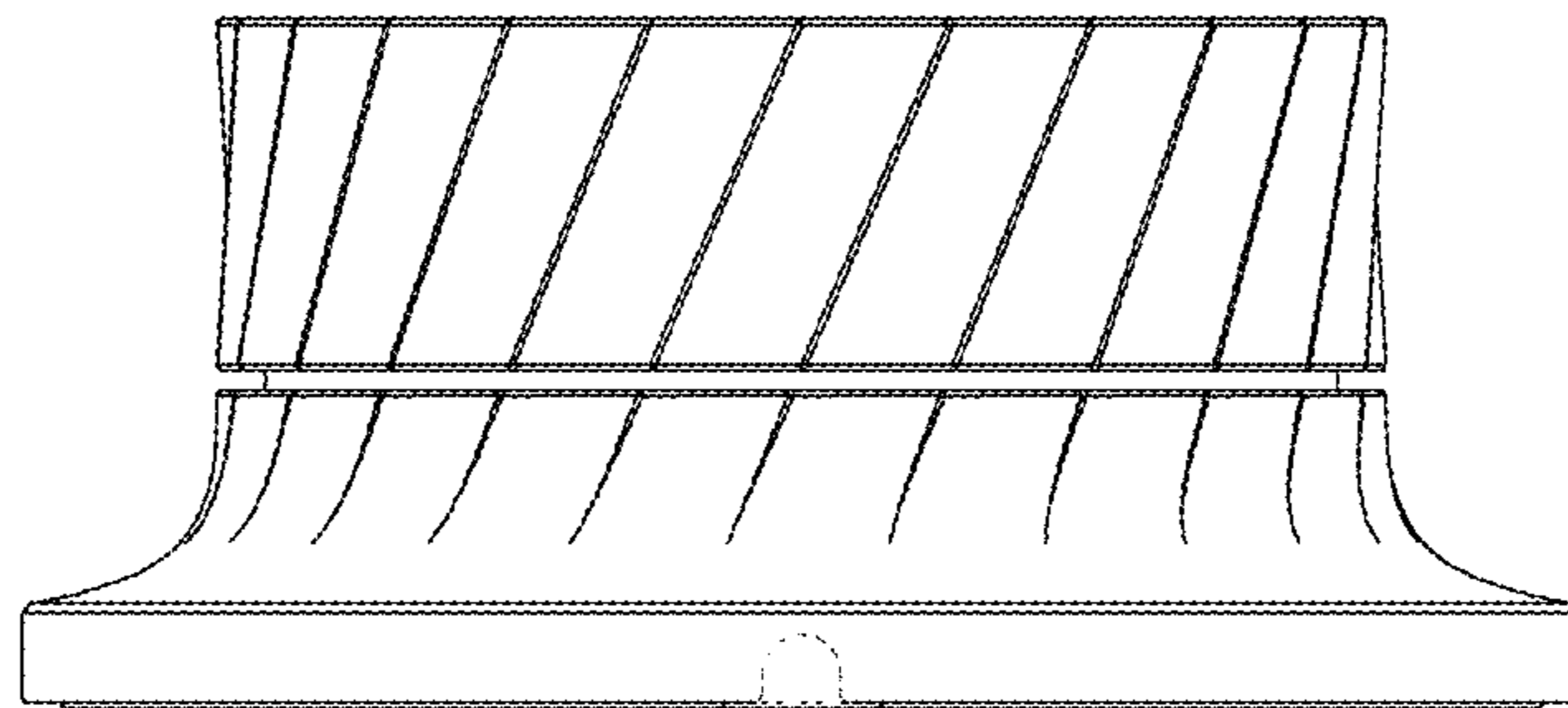


Figure 4

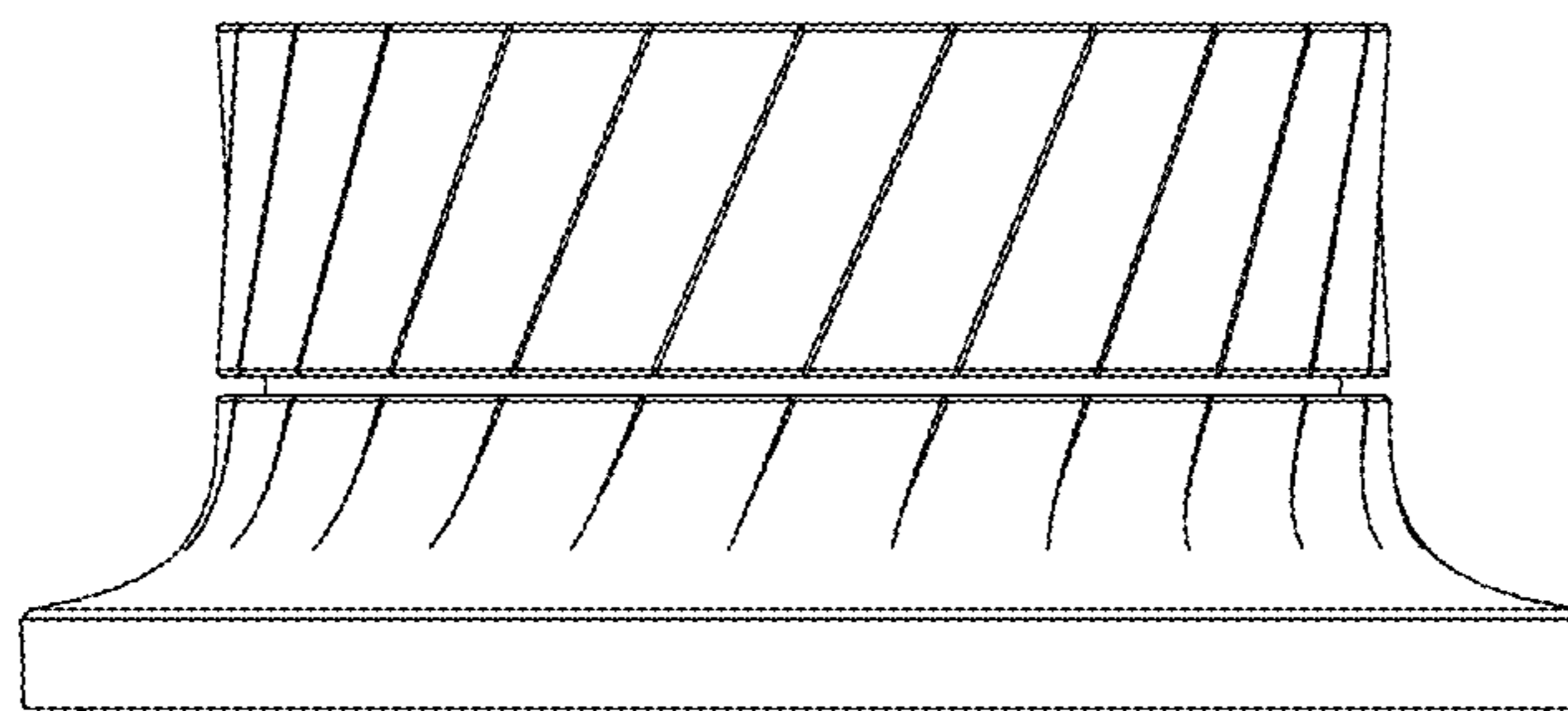


Figure 5

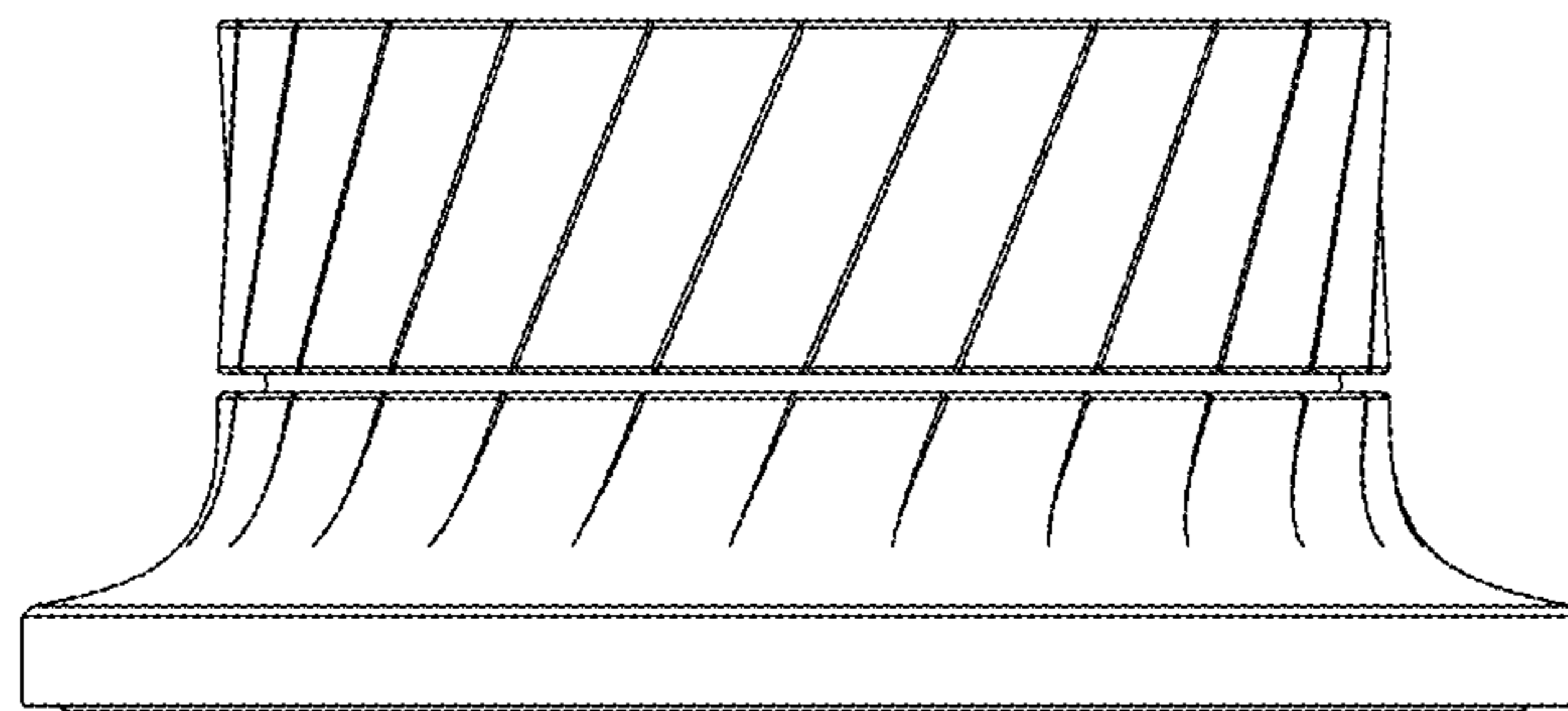


Figure 6

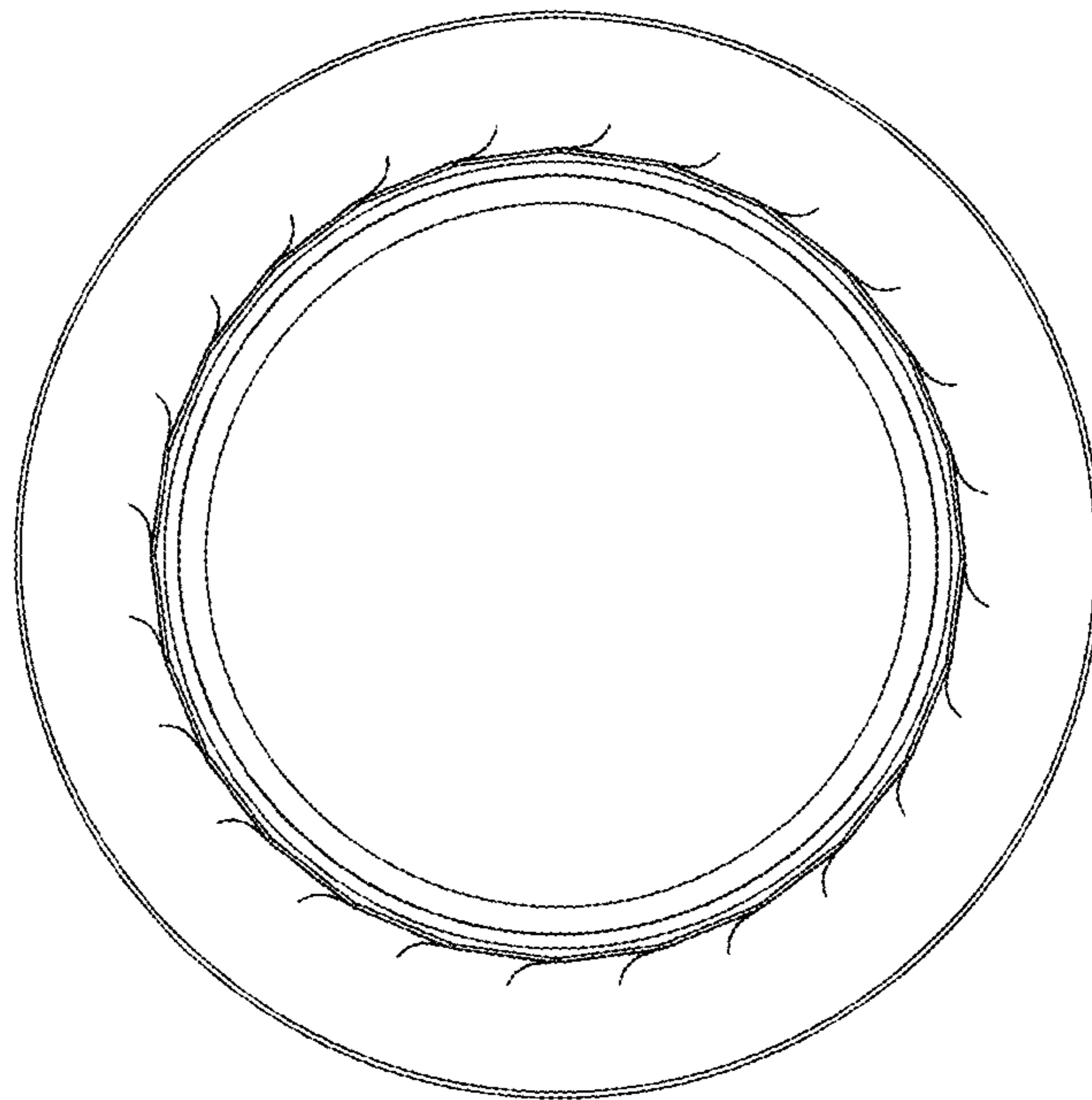


Figure 7

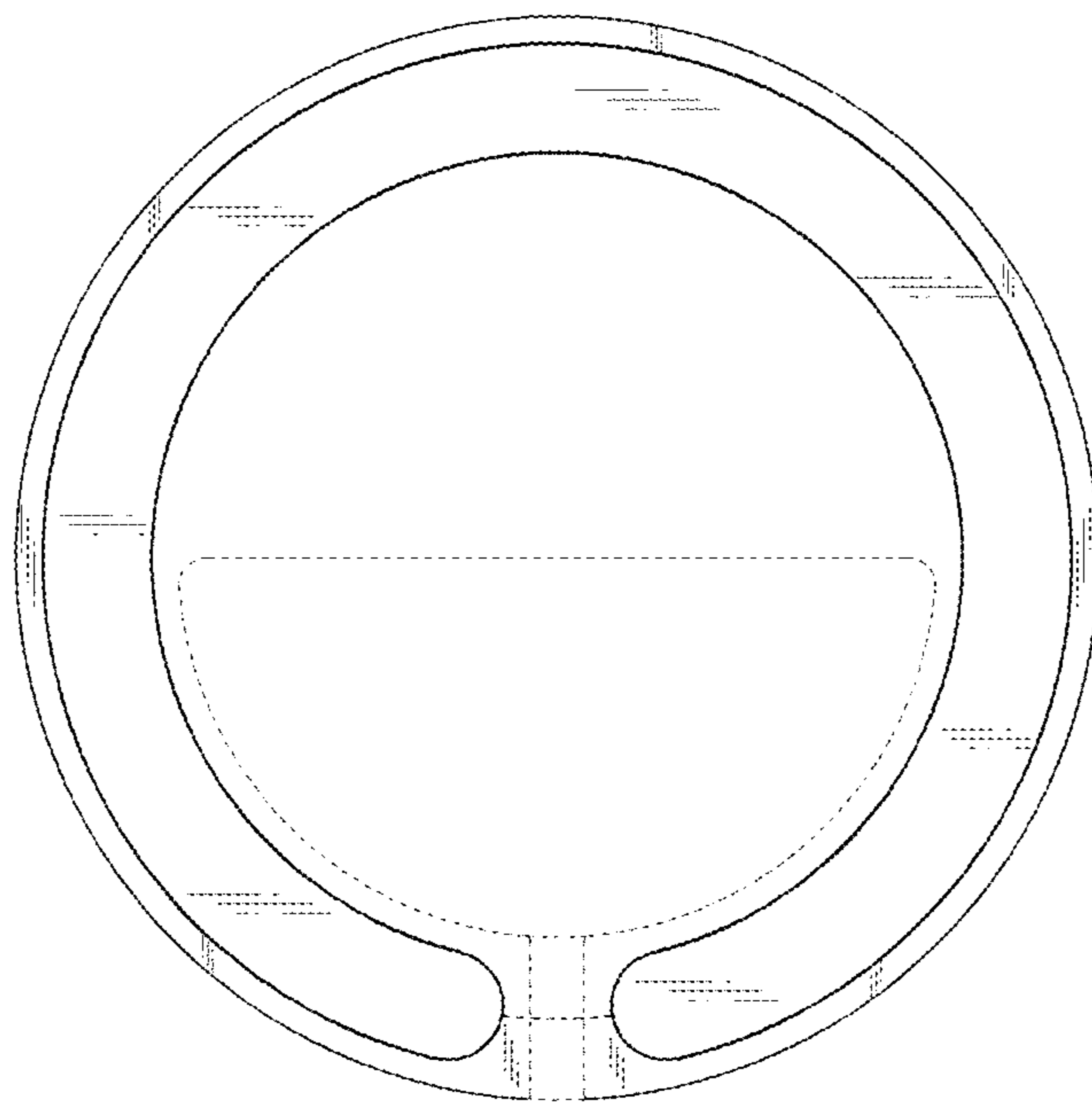


Figure 8

