



US00D987603S

(12) **United States Design Patent** (10) **Patent No.:** **US D987,603 S**  
**Beckerot et al.** (45) **Date of Patent:** **\*\* May 30, 2023**

(54) **SPEAKER**

(74) *Attorney, Agent, or Firm* — Tucker Ellis LLP

(71) Applicant: **Axis AB**, Lund (SE)

(57) **CLAIM**

The ornamental design for a speaker, as shown and described.

(72) Inventors: **Jakob Beckerot**, Lund (SE); **Kristoffer Neutel**, Lund (SE); **Jake Snowdon**, Lund (SE); **Charlotte Gunsjö**, Lund (SE); **Jonas Sjögren**, Lund (SE); **Mariano Vozzi**, Lund (SE); **Mathias Walter**, Lund (SE); **Sebastian Engwall**, Lund (SE); **Dan Carlberg**, Lund (SE)

**DESCRIPTION**

FIG. 1 is a bottom, front, left side perspective view of a first embodiment of a speaker showing our new design;  
 FIG. 2 is a top, rear, right side perspective view thereof;  
 FIG. 3 is a front view thereof;  
 FIG. 4 is a rear view thereof;  
 FIG. 5 is a left side view thereof;  
 FIG. 6 is a right side view thereof;  
 FIG. 7 is a top view thereof;  
 FIG. 8 is a bottom view thereof;  
 FIG. 9 is a bottom, front, left side perspective view of a second embodiment of the speaker showing our new design;  
 FIG. 10 is a top, rear, right side perspective view thereof;  
 FIG. 11 is a front view thereof;  
 FIG. 12 is a rear view thereof;  
 FIG. 13 is a left side view thereof;  
 FIG. 14 is a right side view thereof;  
 FIG. 15 is a top view thereof;  
 FIG. 16 is a bottom view thereof;  
 FIG. 17 is a bottom, front, left side perspective view of a third embodiment of the speaker showing our new design;  
 FIG. 18 is a top, rear, right side perspective view thereof;  
 FIG. 19 is a front view thereof;  
 FIG. 20 is a rear view thereof;  
 FIG. 21 is a left side view thereof;  
 FIG. 22 is a right side view thereof;  
 FIG. 23 is a top view thereof;  
 FIG. 24 is a bottom view thereof;  
 FIG. 25 is a bottom, front, left side perspective view of a fourth embodiment of the speaker showing our new design;  
 FIG. 26 is a top, rear, right side perspective view thereof;  
 FIG. 27 is a front view thereof;  
 FIG. 28 is a rear view thereof;  
 FIG. 29 is a left side view thereof;  
 FIG. 30 is a right side view thereof;  
 FIG. 31 is a top view thereof; and,  
 FIG. 32 is a bottom view thereof.

(73) Assignee: **AXIS AB**, Lund (SE)

(\*\*) Term: **15 Years**

(21) Appl. No.: **29/811,777**

(22) Filed: **Oct. 16, 2021**

(30) **Foreign Application Priority Data**

Apr. 28, 2021 (EM) ..... 008521538-0001  
 Apr. 28, 2021 (EM) ..... 008521538-0002  
 (Continued)

(51) **LOC (14) Cl.** ..... **14-01**

(52) **U.S. Cl.**  
USPC ..... **D14/216**

(58) **Field of Classification Search**  
USPC ... D14/204, 215, 216, 207, 209, 209.1, 496;  
D23/213  
(Continued)

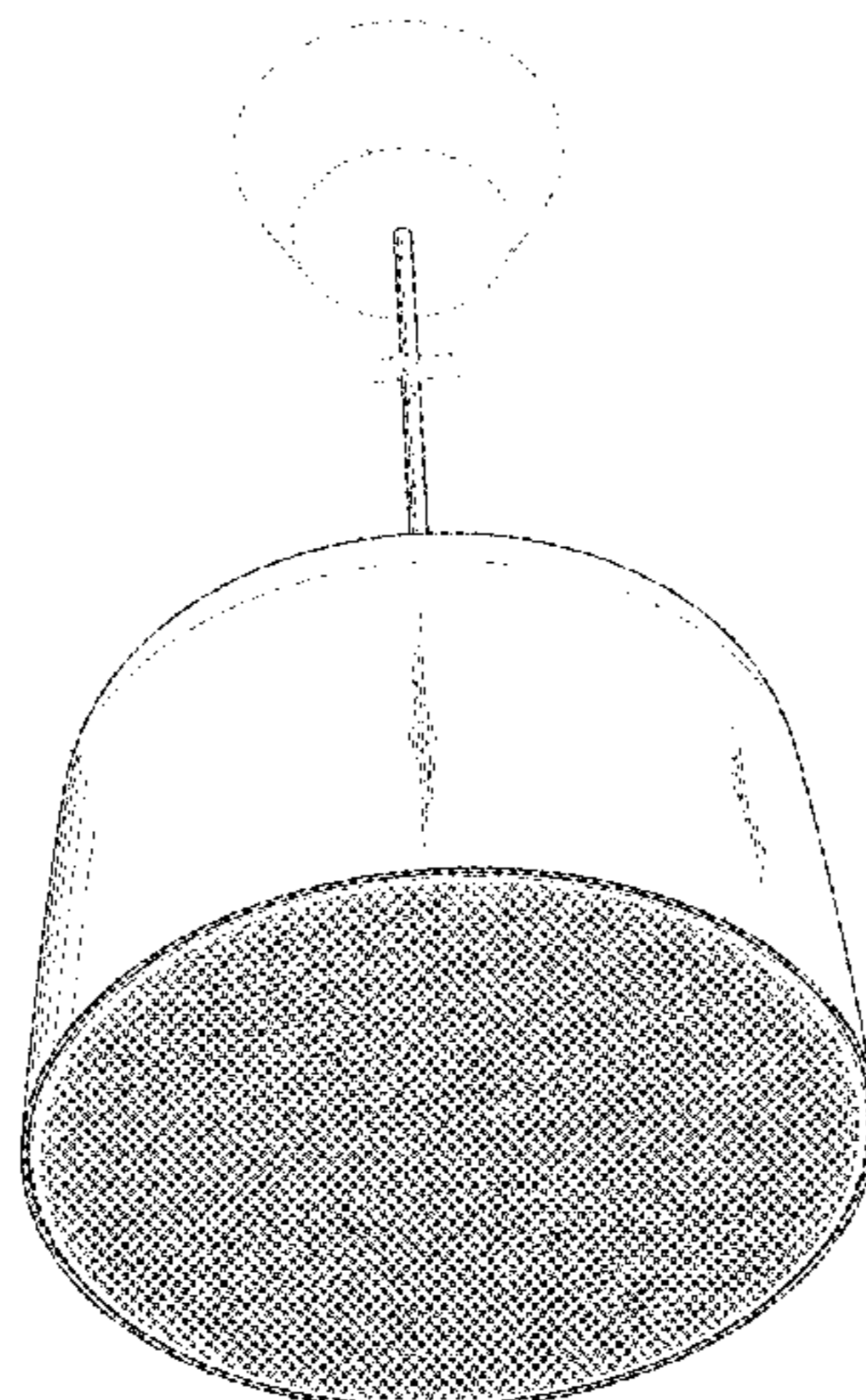
(56) **References Cited**

**U.S. PATENT DOCUMENTS**

D697,046 S \* 1/2014 Hanna ..... D14/204  
 D718,280 S \* 11/2014 Yoon ..... D14/216  
 (Continued)

*Primary Examiner* — Khawaja Anwar  
*Assistant Examiner* — Megan Tiana Rakos

(Continued)



The broken lines in the drawings illustrate portions of the speaker that form no part of the claimed design. The jagged broken lines crossing the elongated wire portion of the speaker are for the purpose of illustrating portions of the wire portion of the speaker with a symbolic break in its length. The appearance of any portion of the article between the break lines forms no part of the claimed design.

**1 Claim, 28 Drawing Sheets**

(30) **Foreign Application Priority Data**

Apr. 28, 2021 (EM) ..... 008521538-0003  
Apr. 28, 2021 (EM) ..... 008521538-0004

(58) **Field of Classification Search**

CPC ..... H04R 1/2834; H04R 1/026; H04R 1/30;  
H04R 1/021

See application file for complete search history.

(56)

**References Cited**

U.S. PATENT DOCUMENTS

D726,151	S	*	4/2015	Wong	.....	D14/215
D756,957	S	*	5/2016	Nylen	.....	D14/204
D825,522	S	*	8/2018	Ng	.....	D14/204
D857,658	S	*	8/2019	Su	.....	D14/216
D914,638	S	*	3/2021	Laube	.....	D14/207
D927,448	S	*	8/2021	Zhang	.....	D14/204
D962,197	S	*	8/2022	Puckett	.....	D14/204
D967,795	S	*	10/2022	Puckett	.....	D14/204
D968,352	S	*	11/2022	Puckett	.....	D14/204
D968,353	S	*	11/2022	Puckett	.....	D14/204
D968,354	S	*	11/2022	Puckett	.....	D14/204
D969,776	S	*	11/2022	Puckett	.....	D14/204

\* cited by examiner

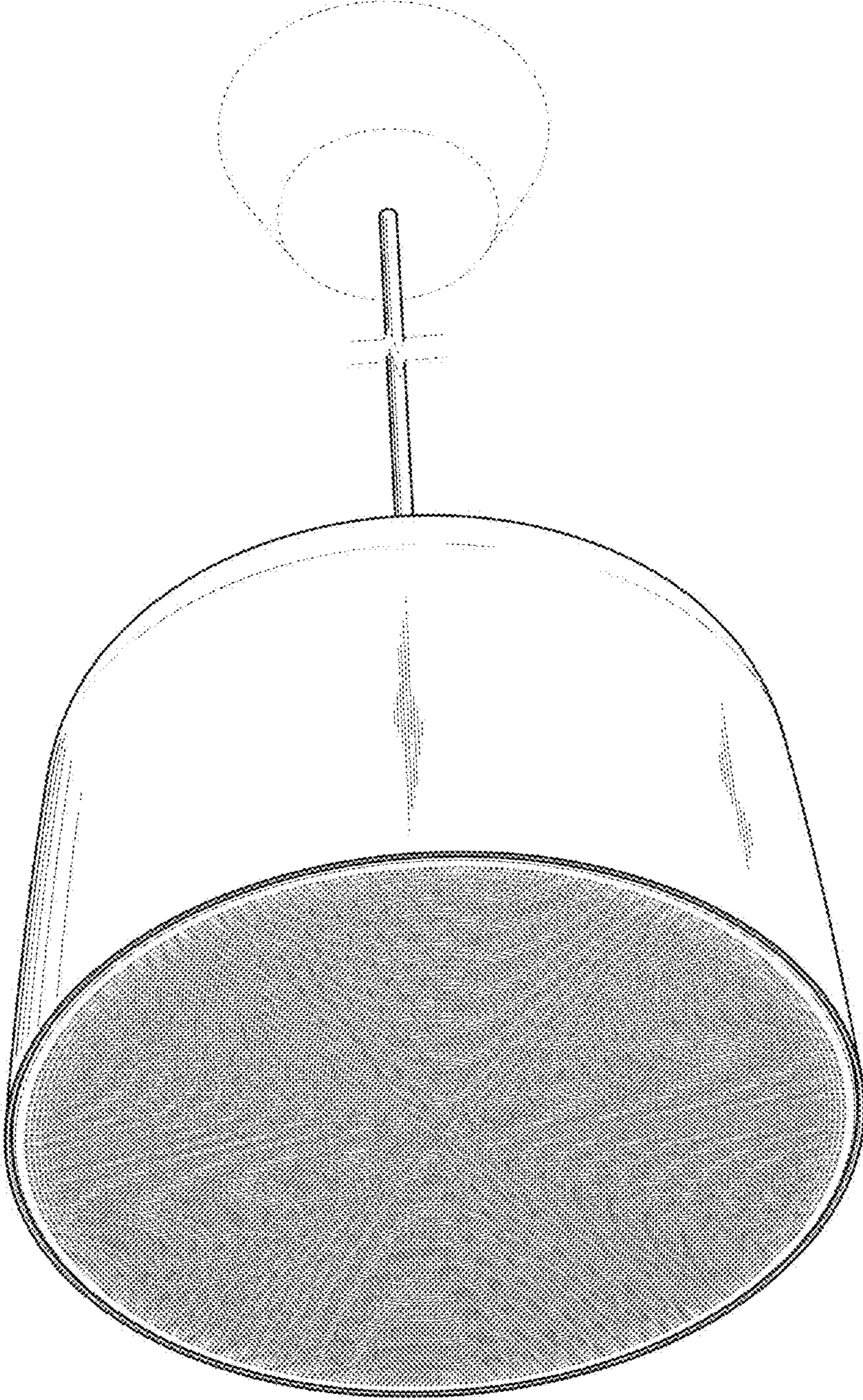


FIG. 1

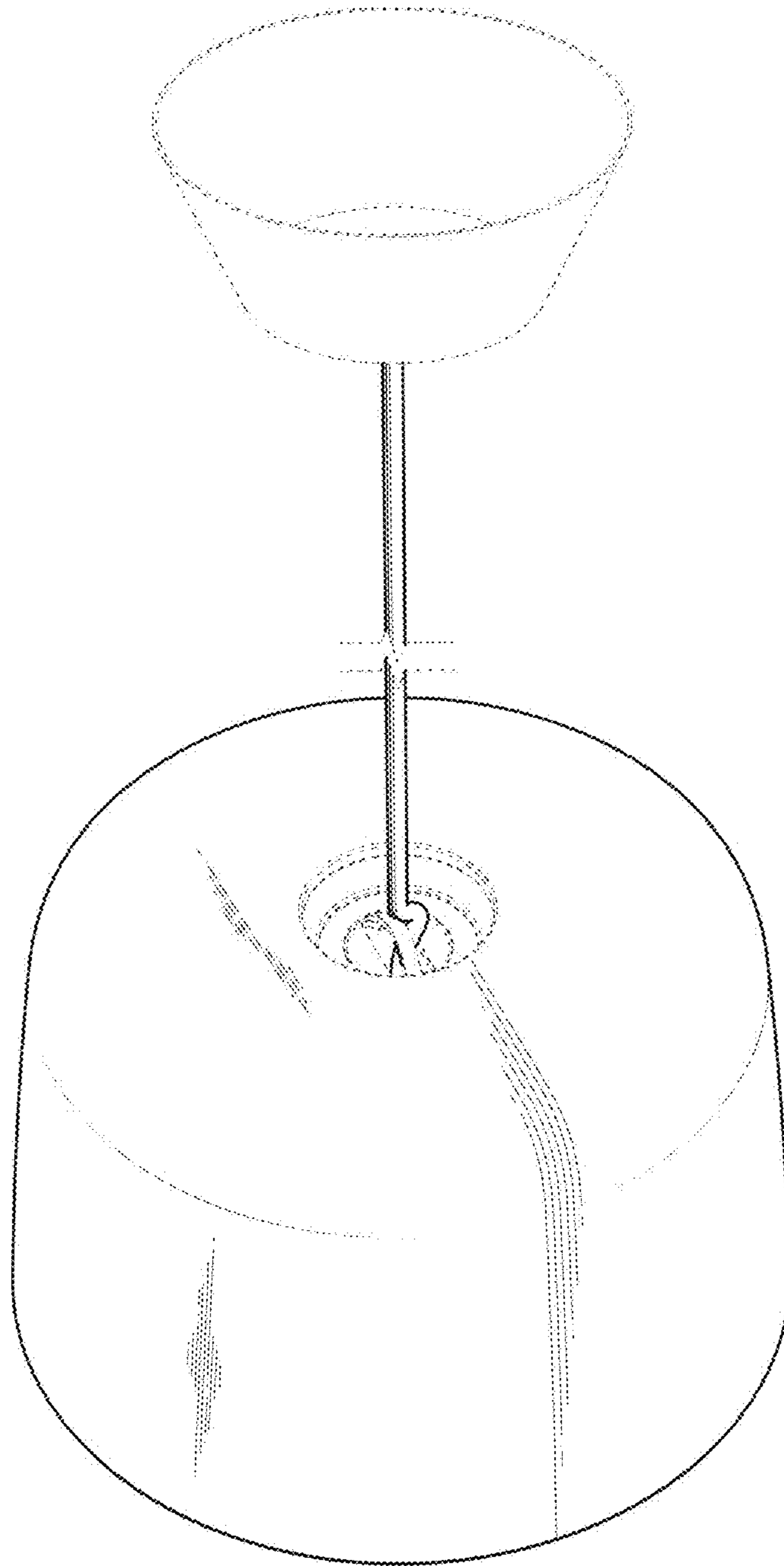


FIG. 2

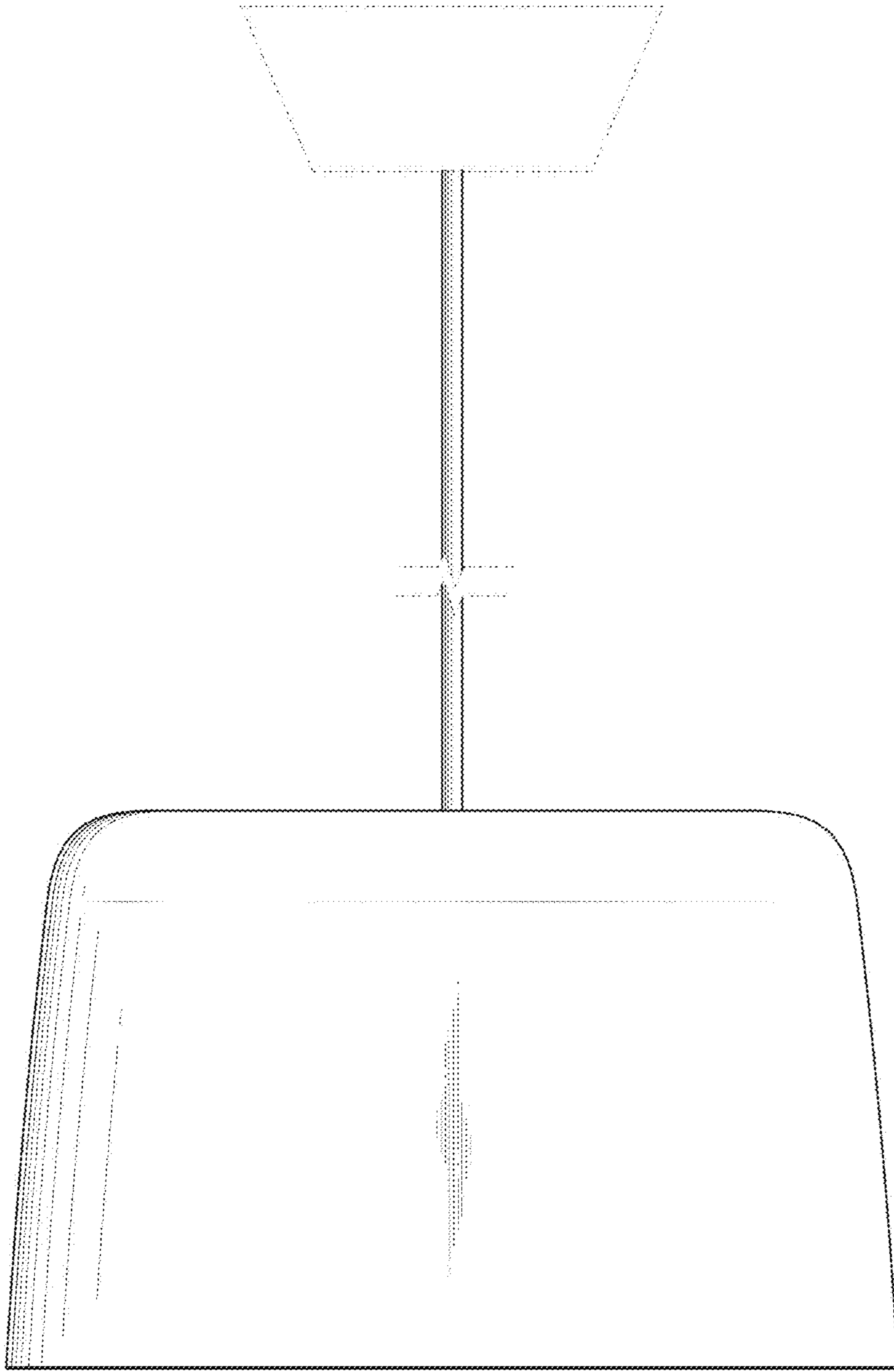


FIG. 3

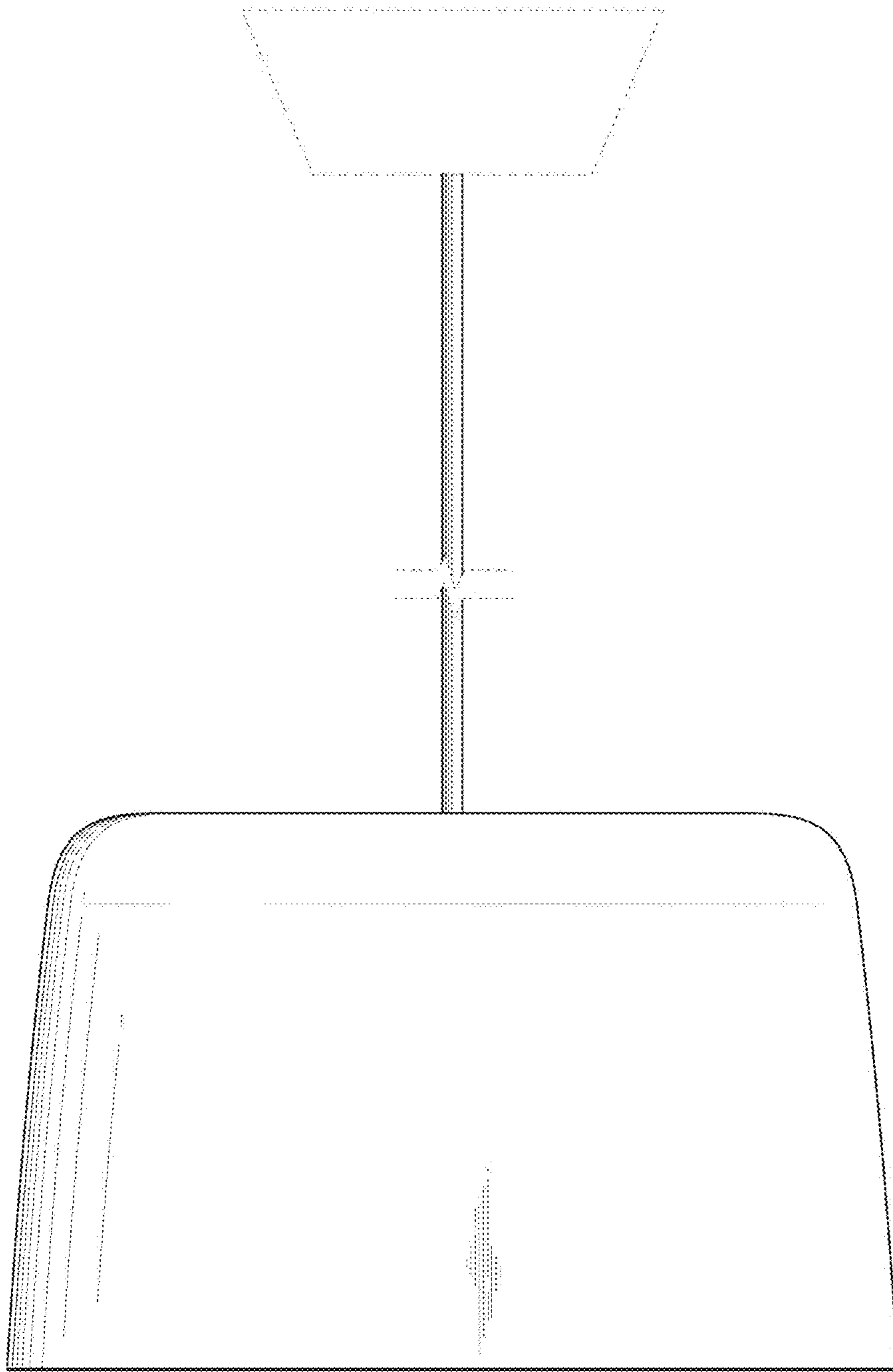


FIG. 4

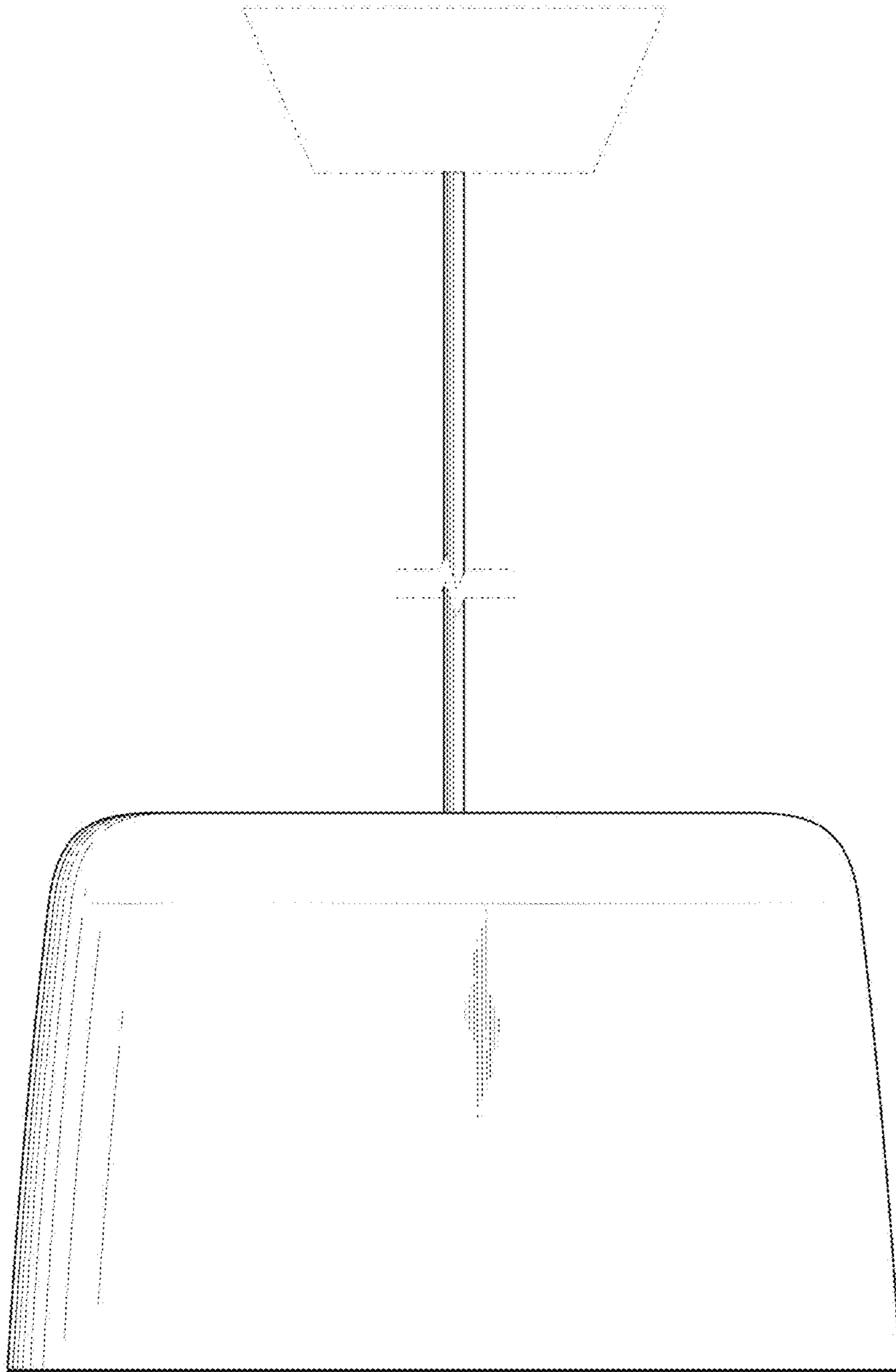


FIG. 5

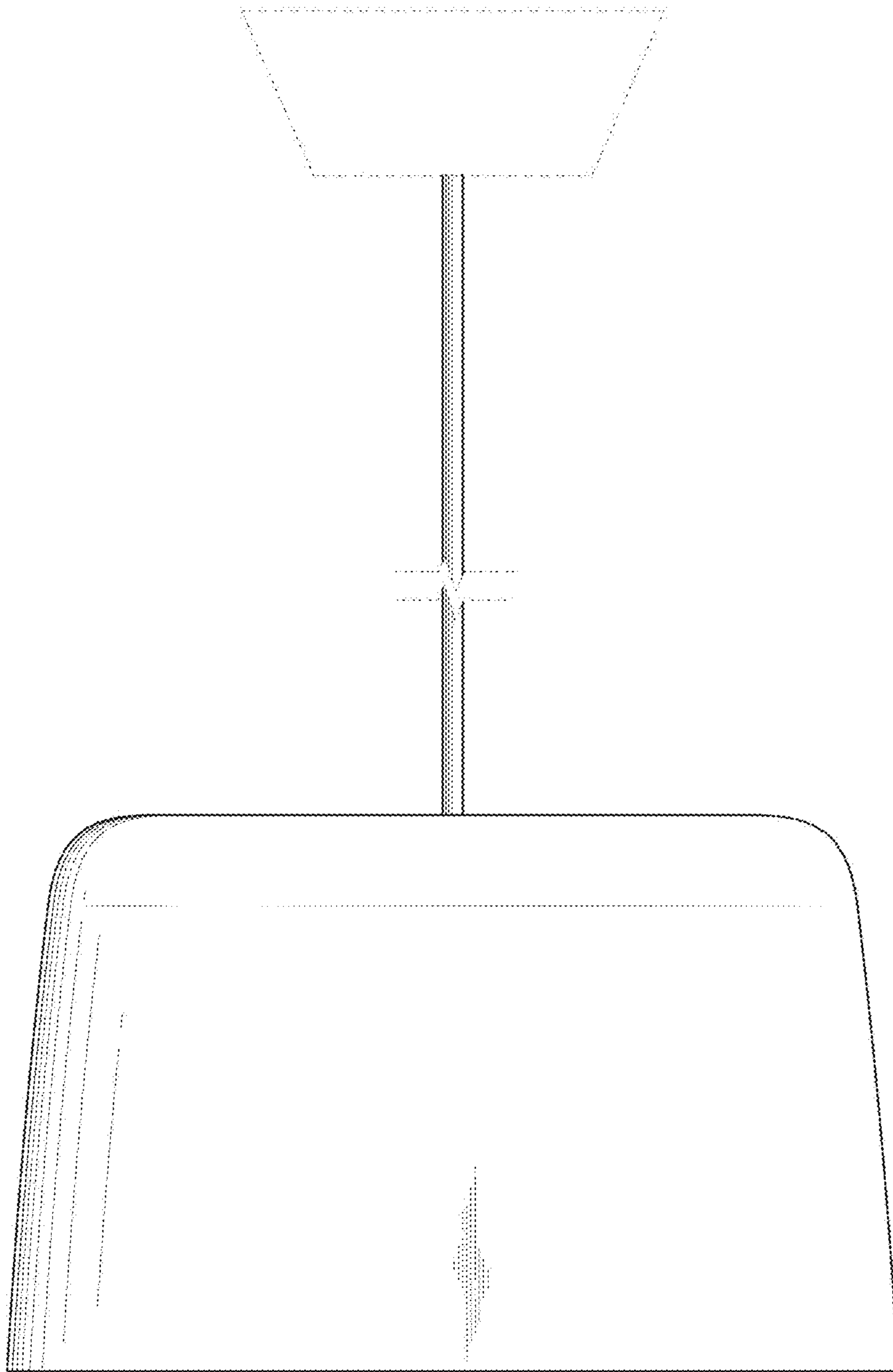


FIG. 6



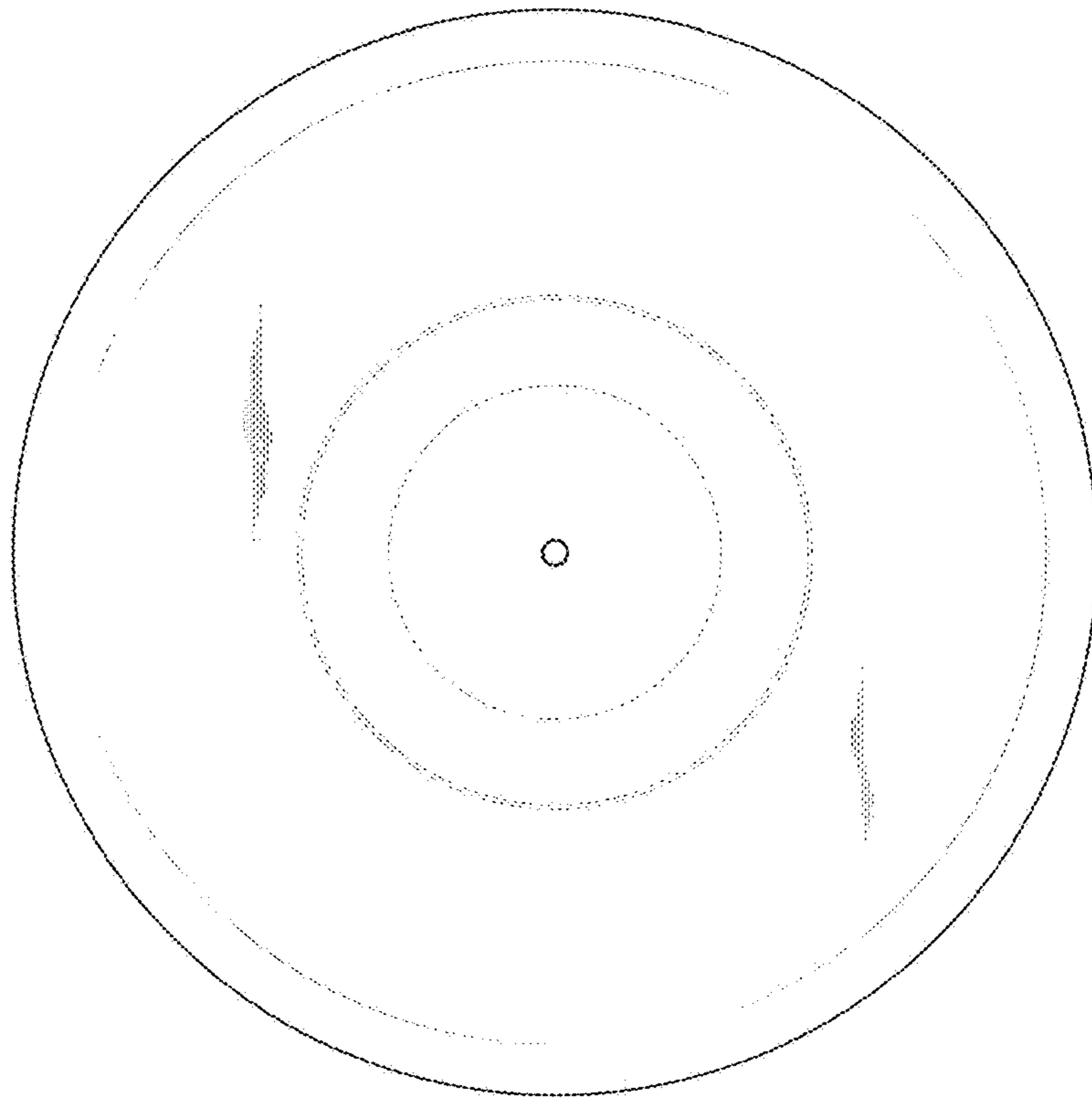


FIG. 7

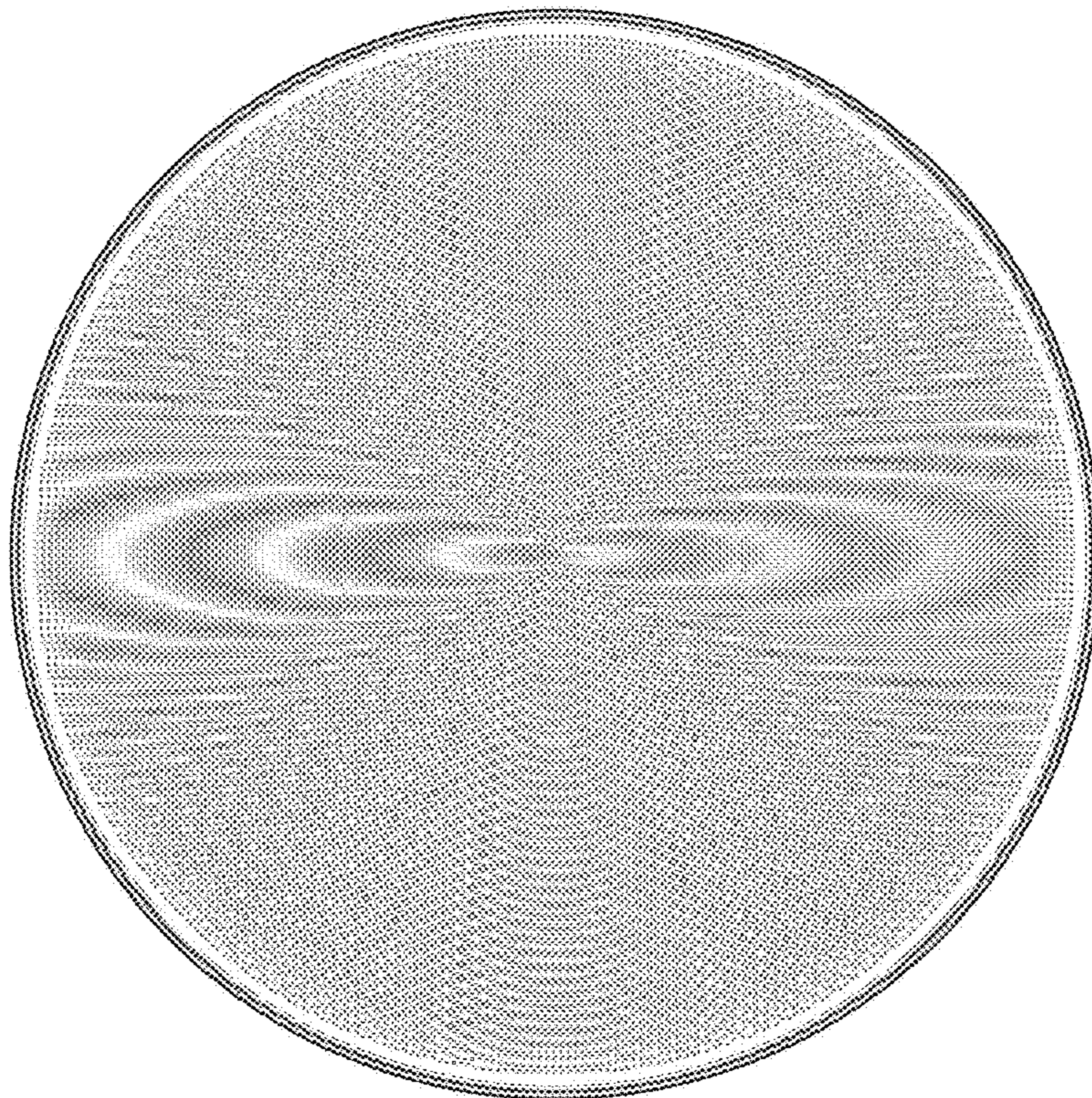


FIG. 8

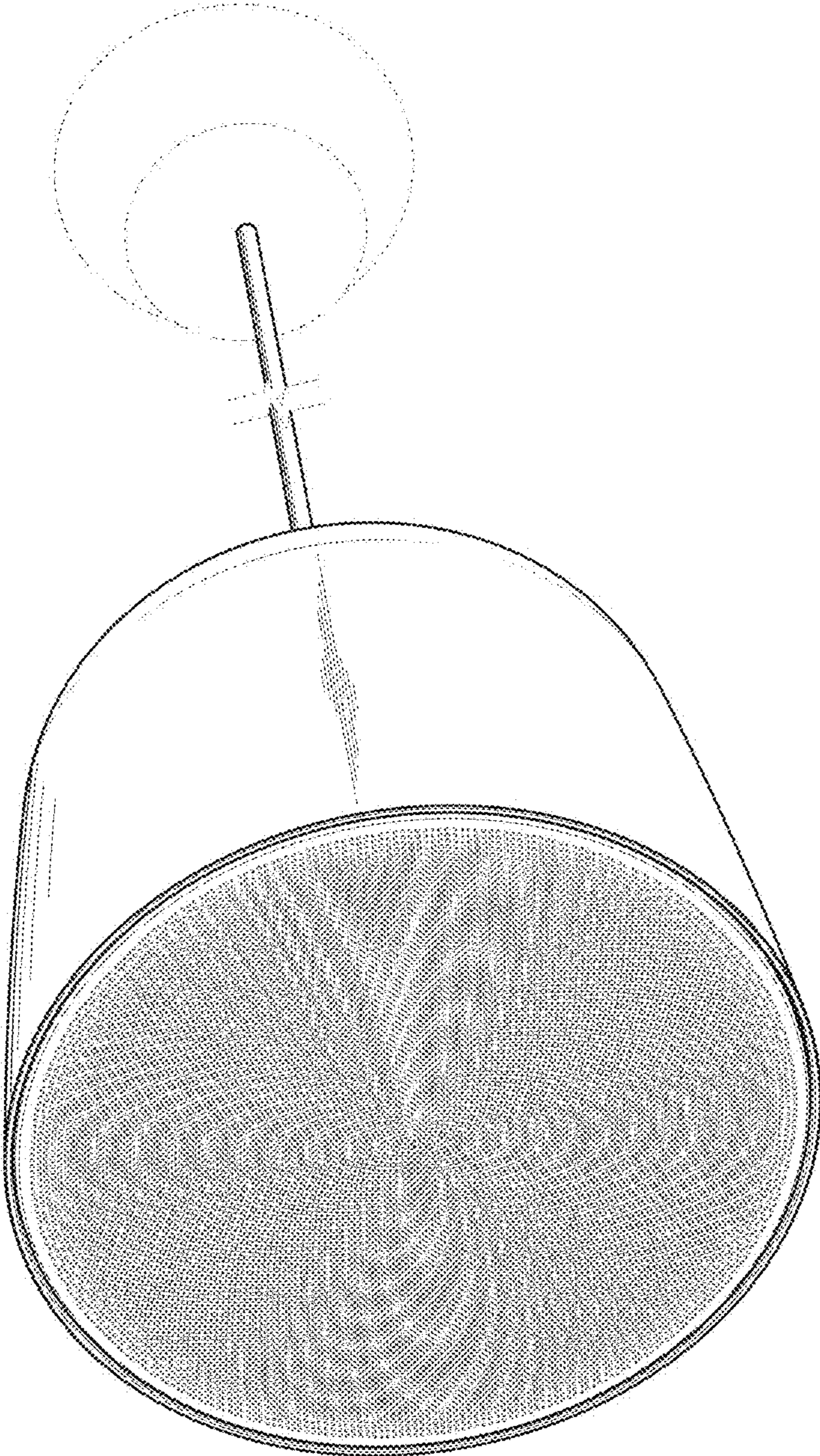


FIG. 9

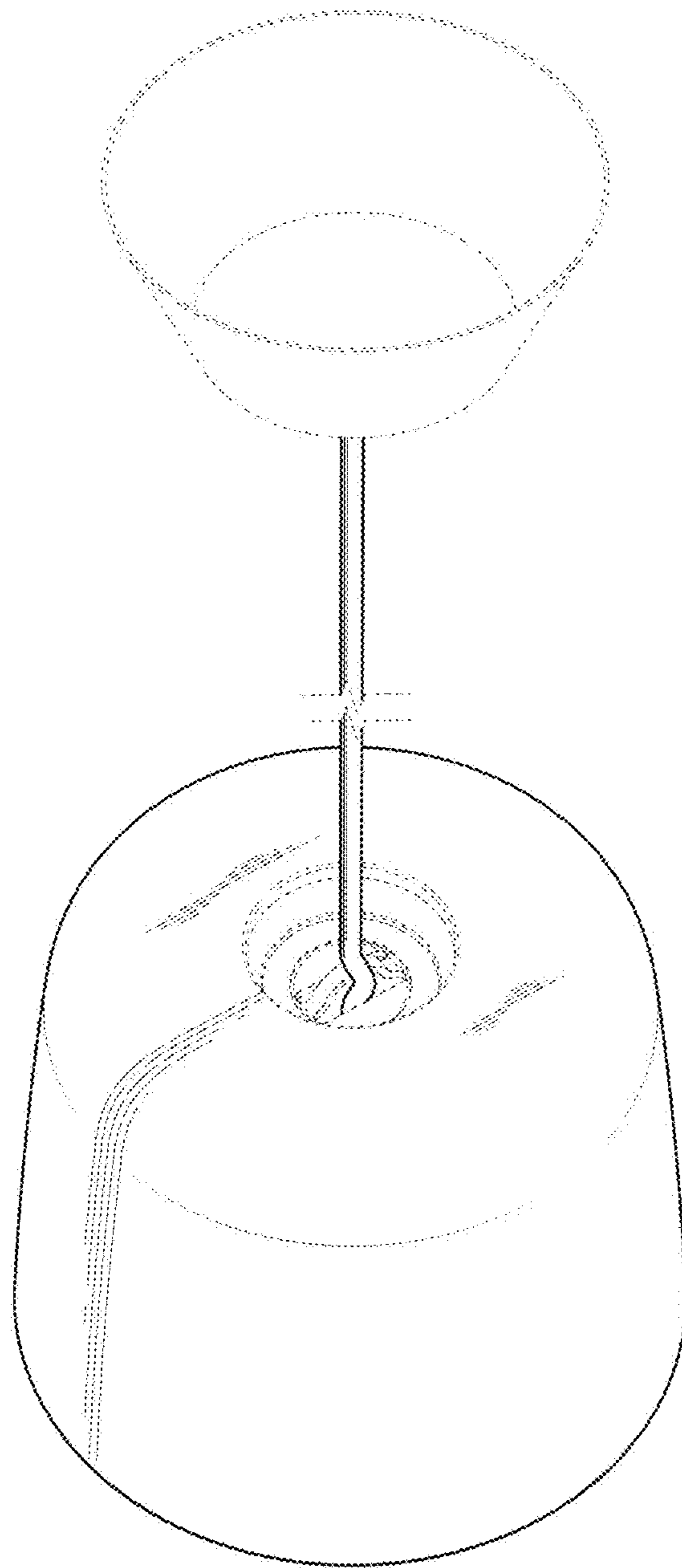


FIG. 10

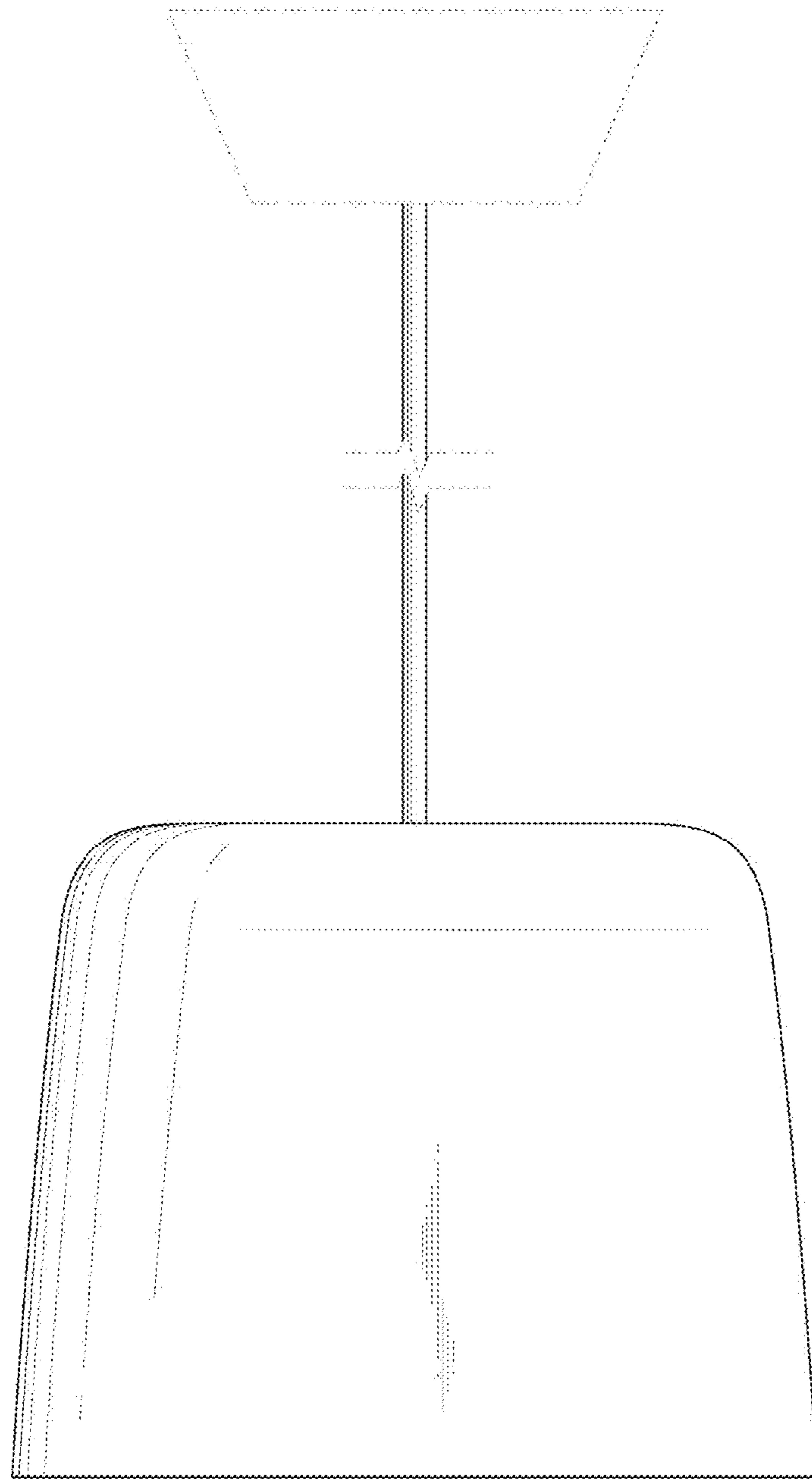


FIG. 11

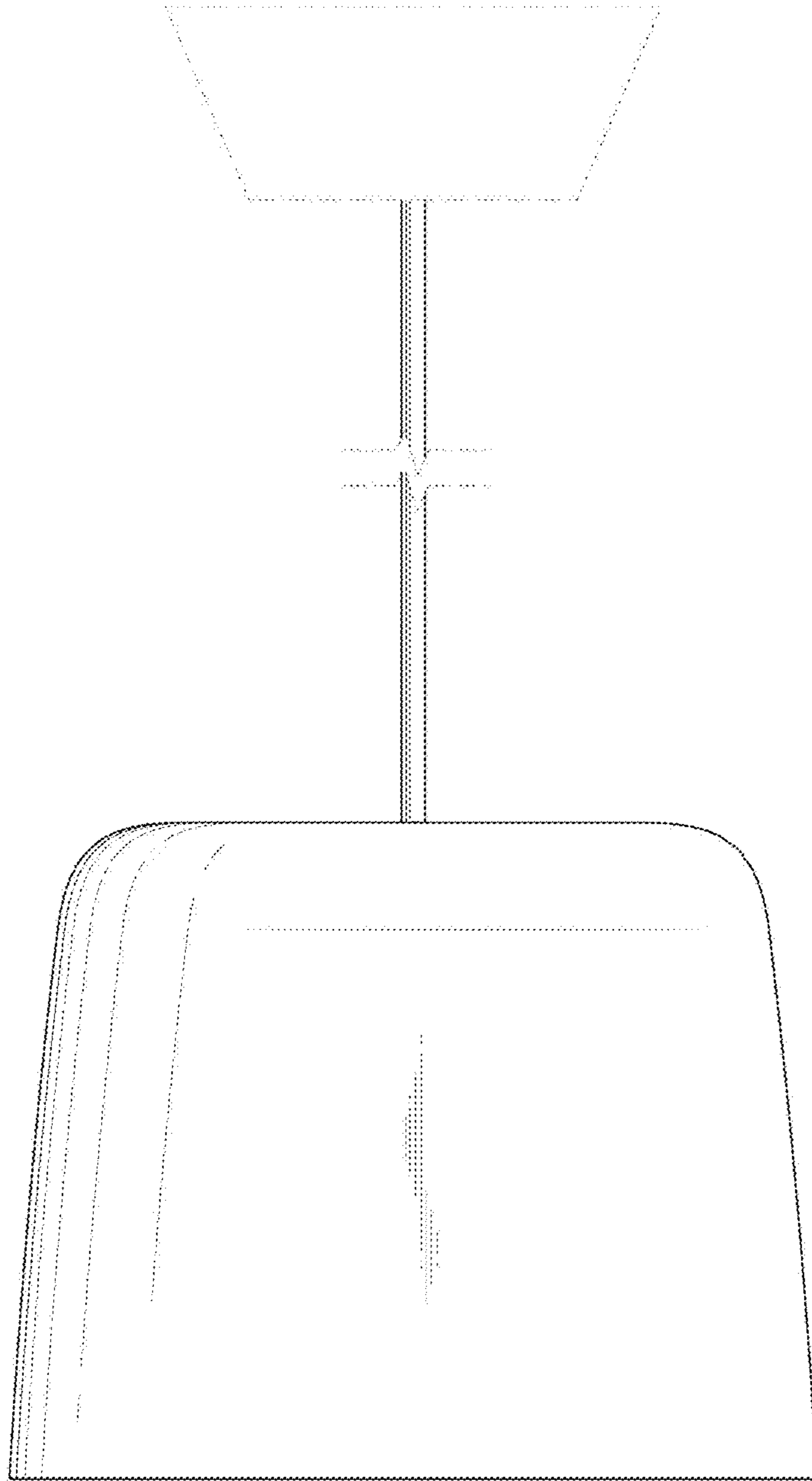


FIG. 12

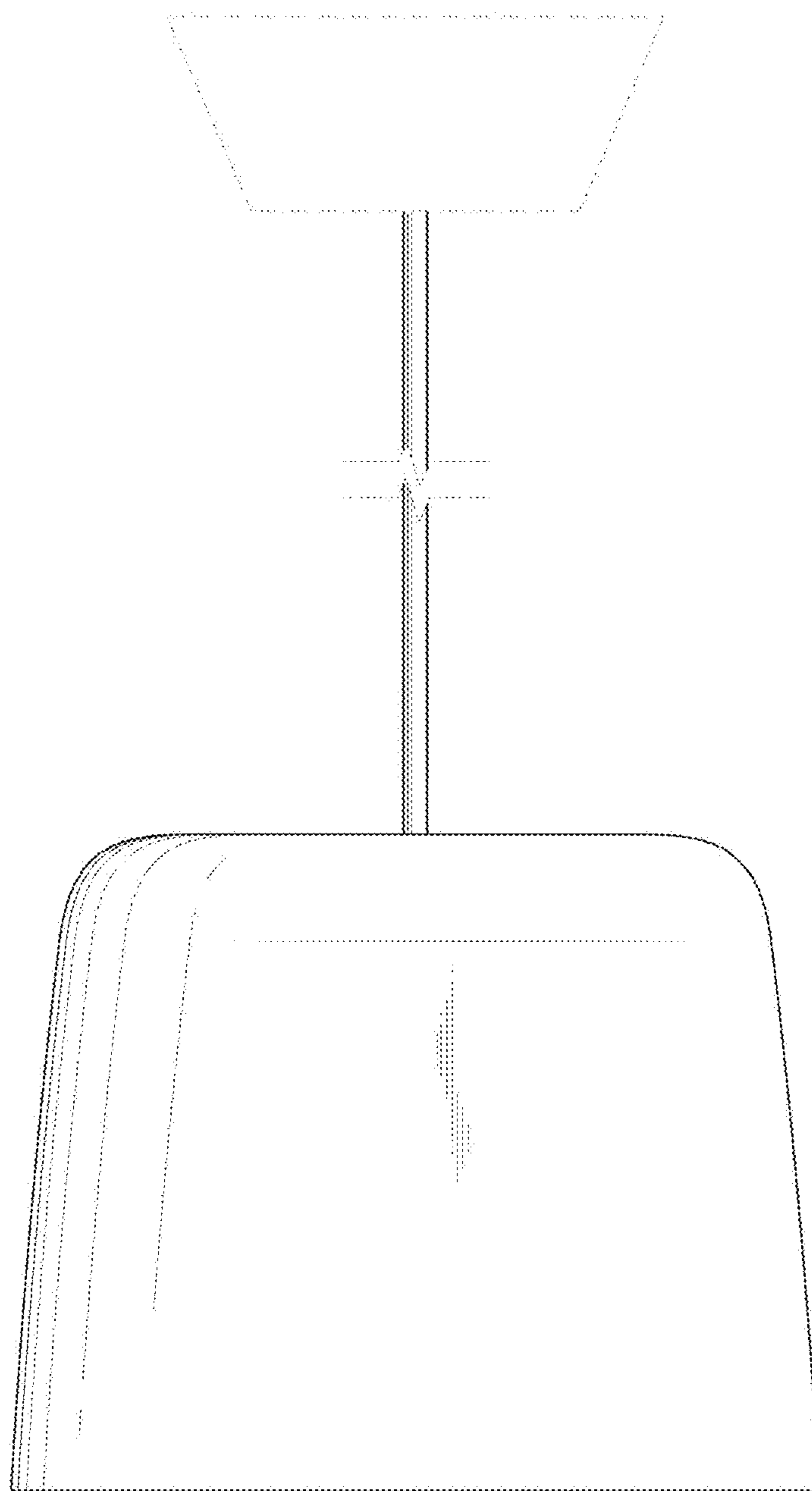


FIG. 13

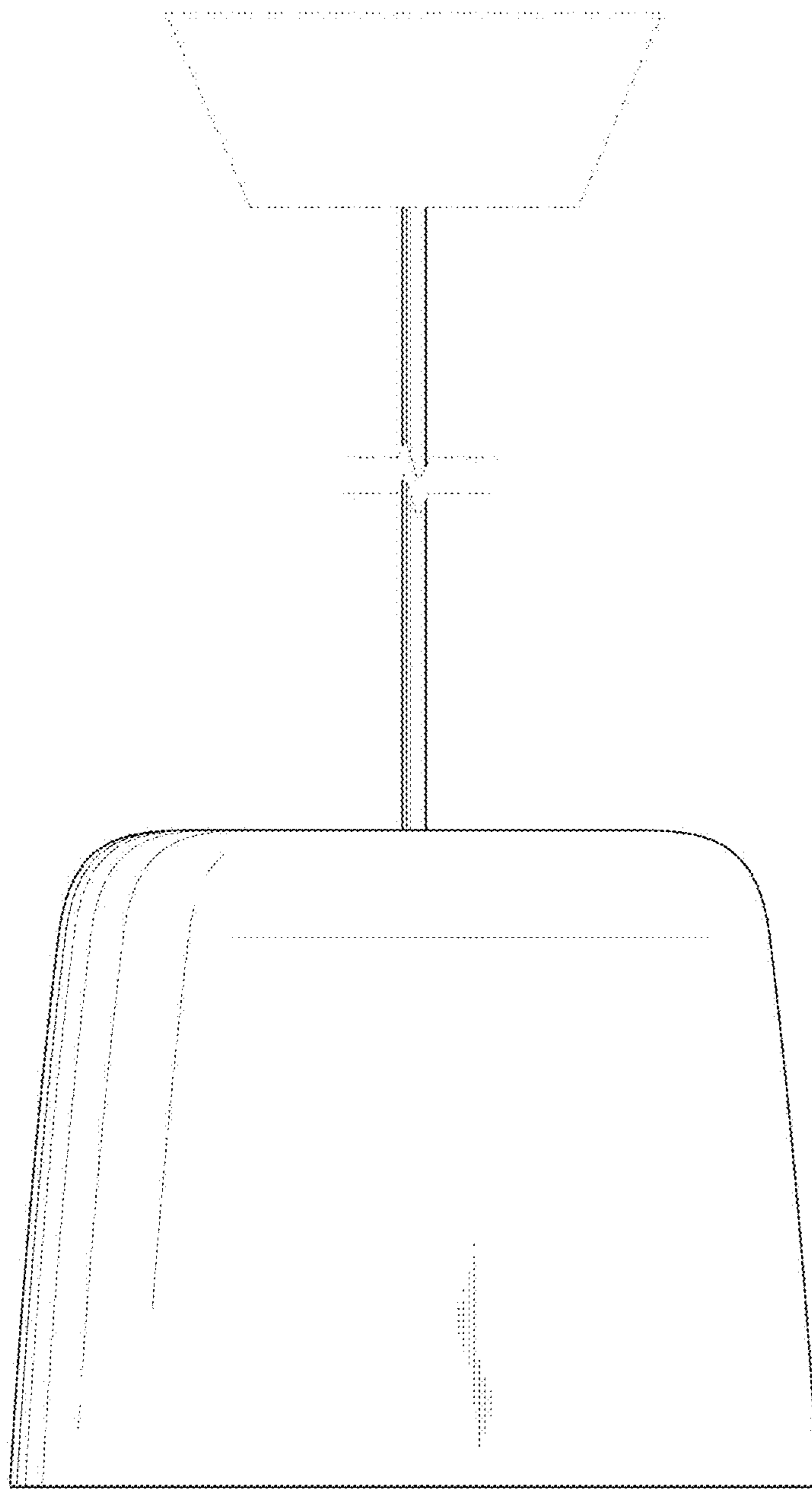


FIG. 14

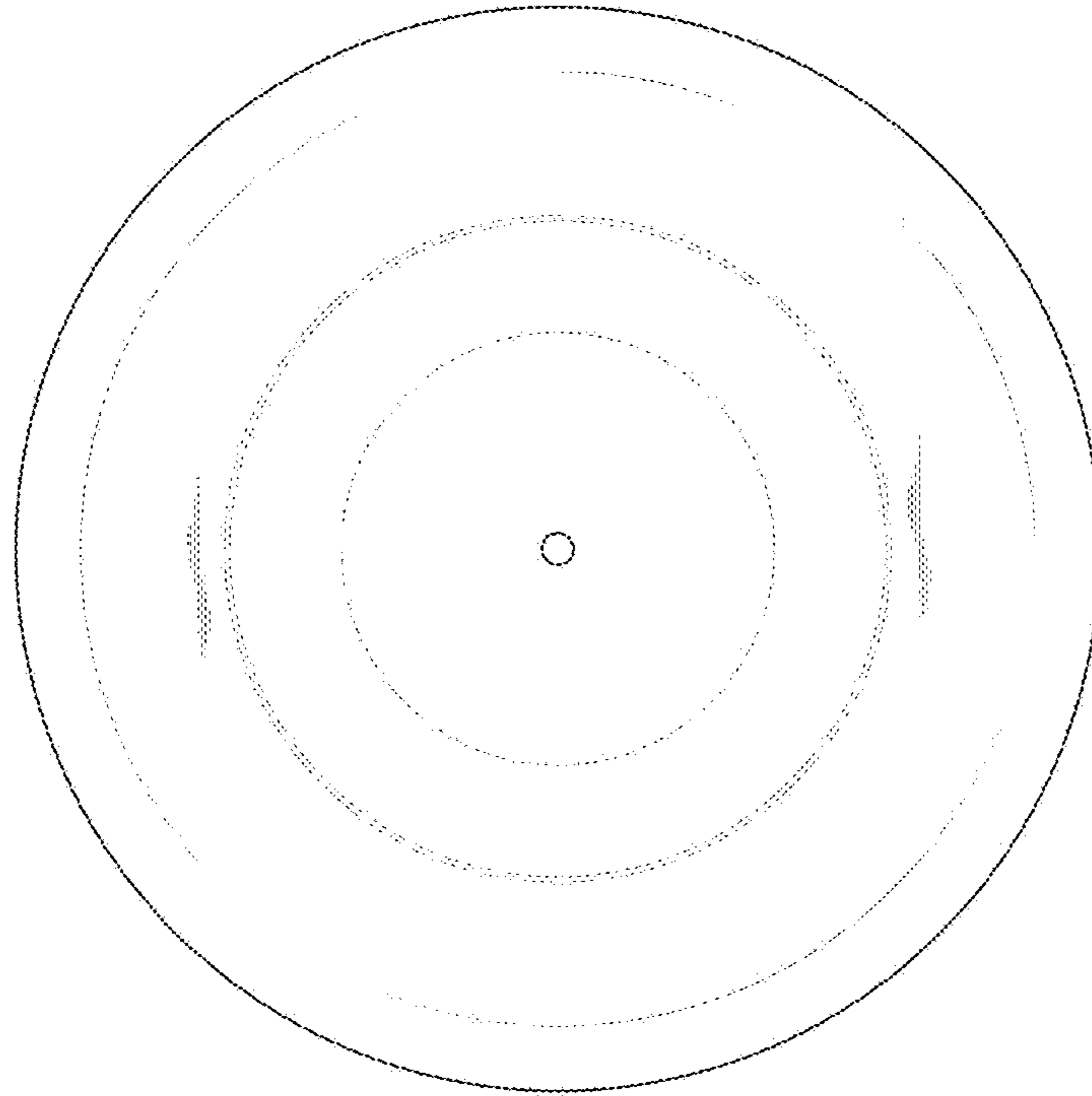


FIG. 15

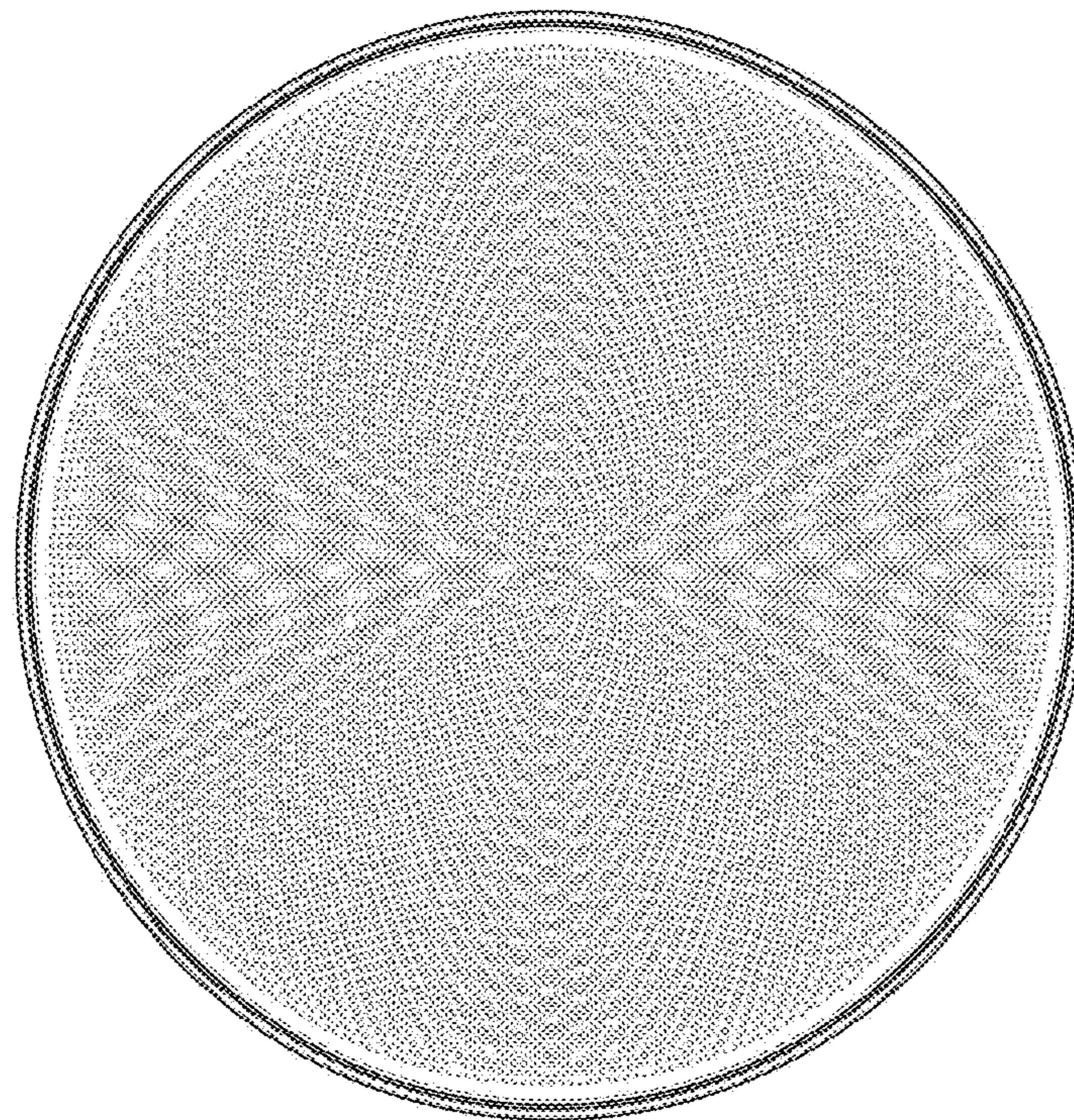


FIG. 16



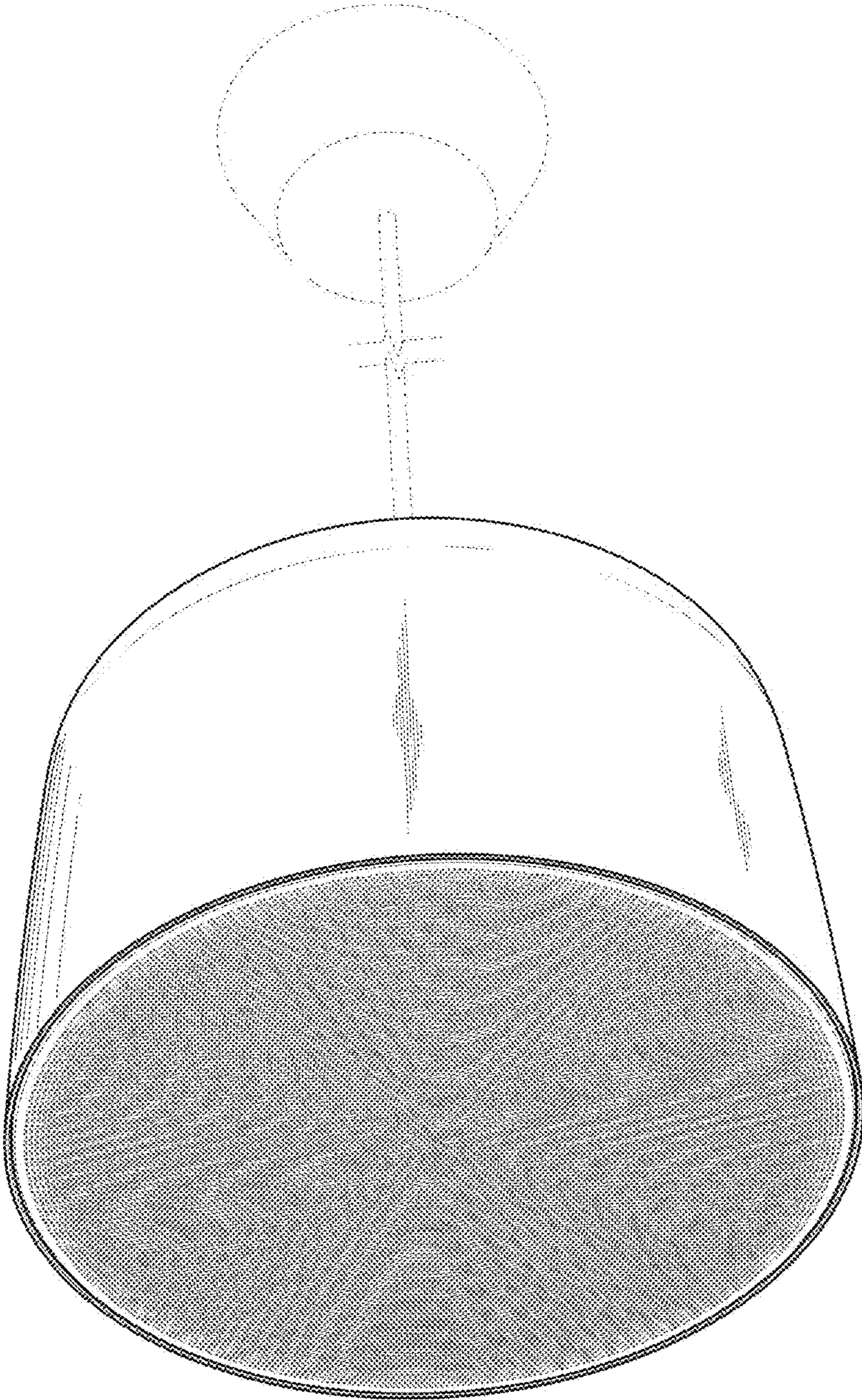


FIG. 17

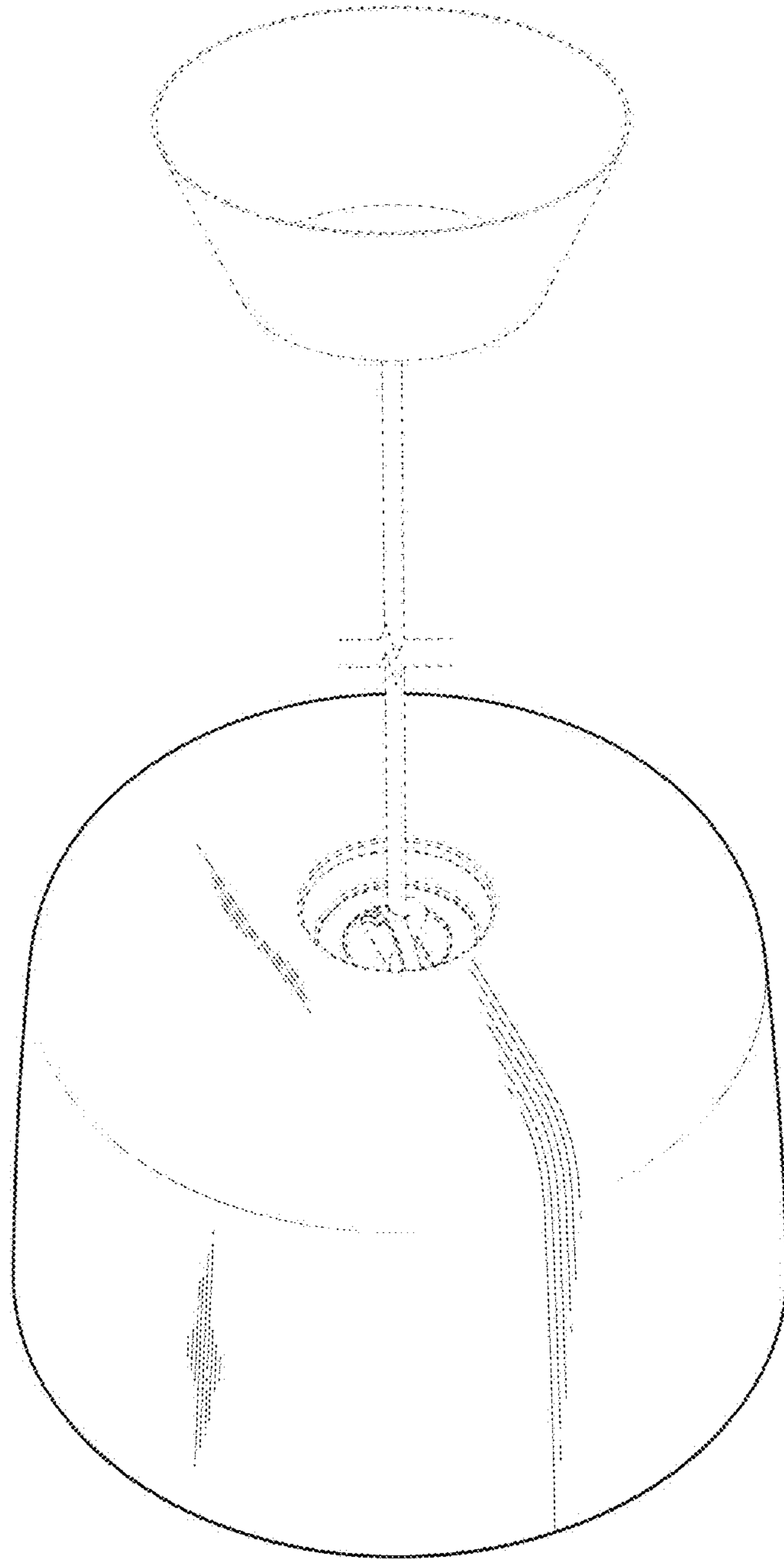


FIG. 18

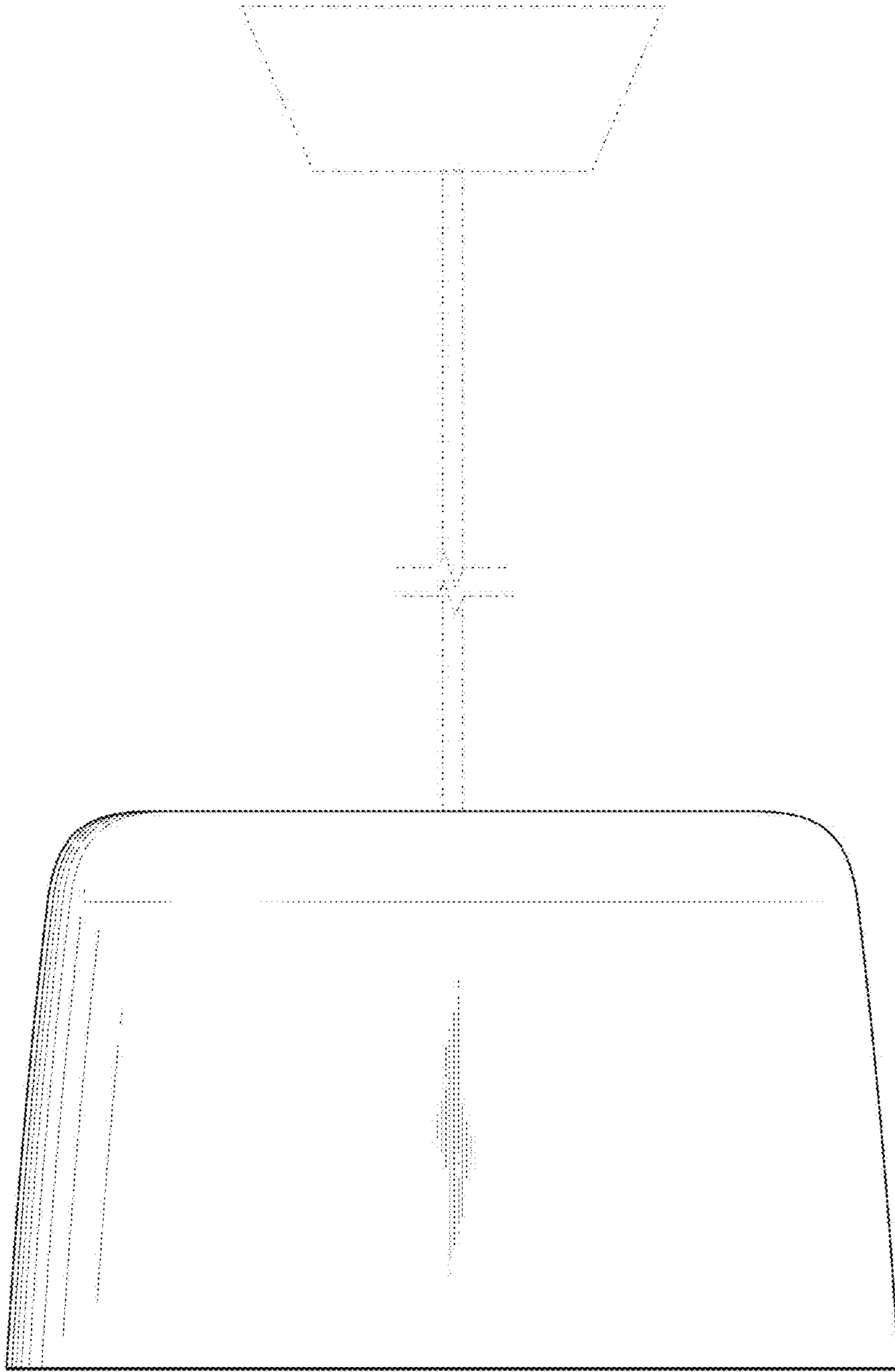


FIG. 19

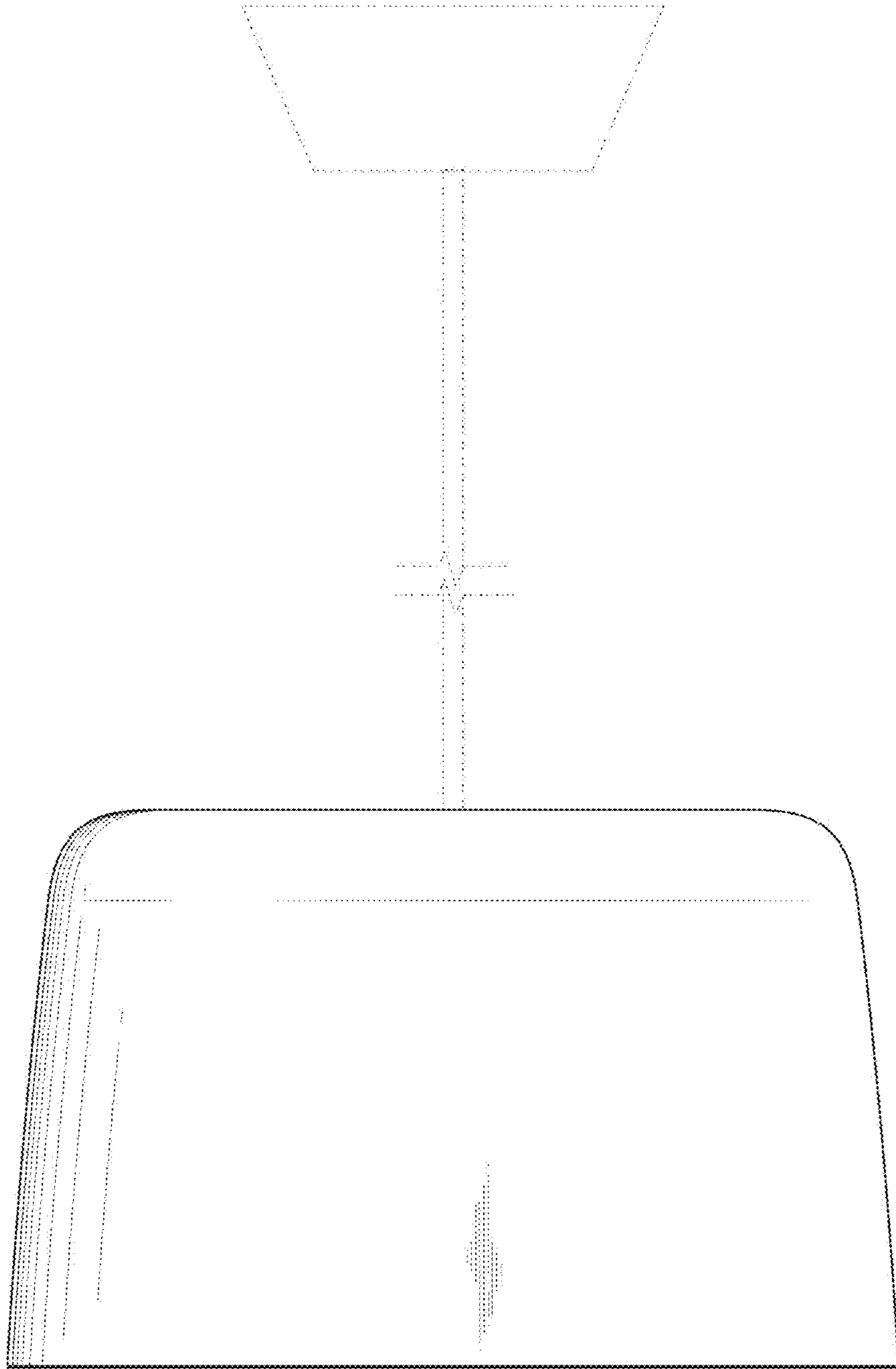


FIG. 20

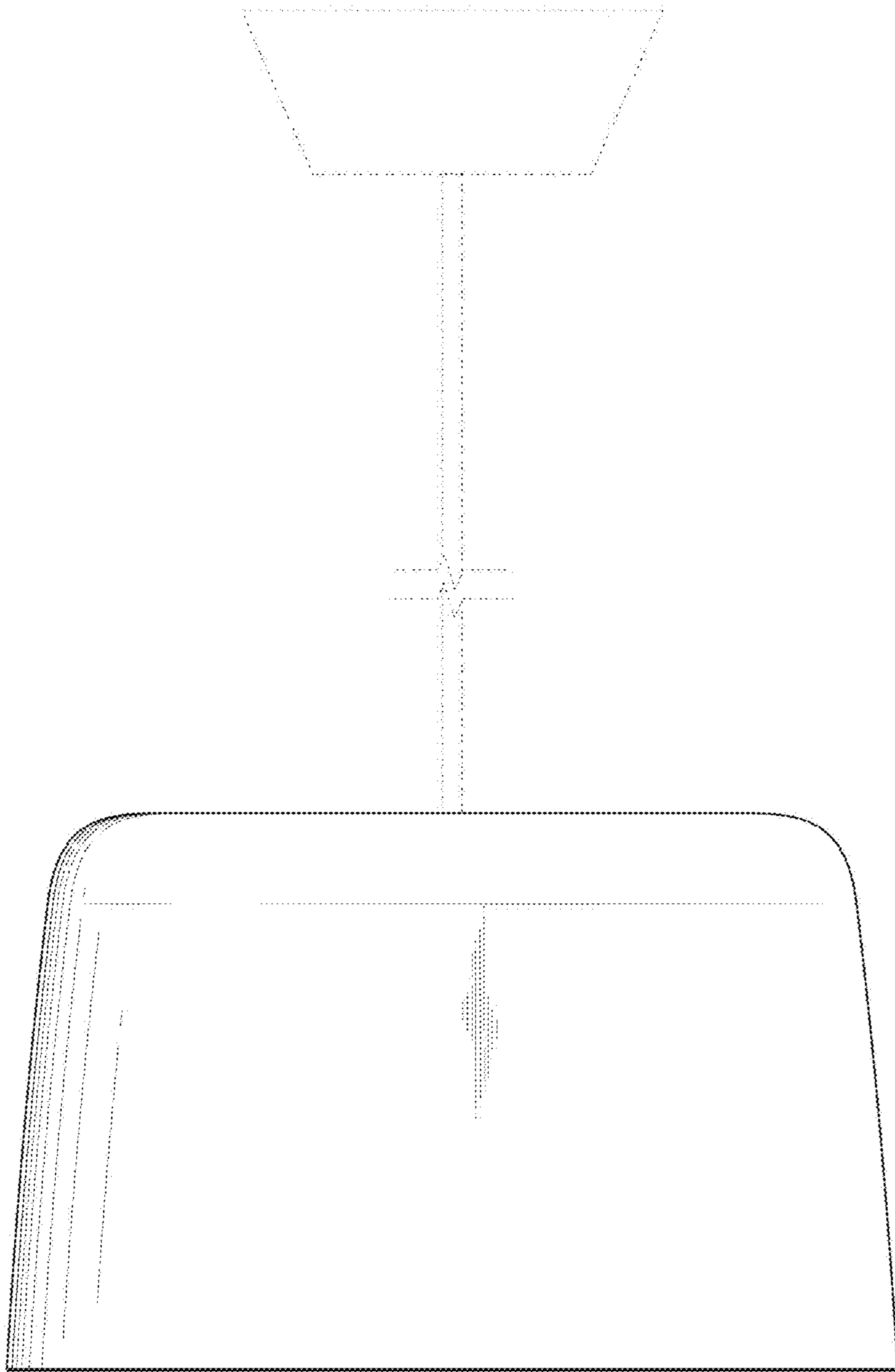


FIG. 21

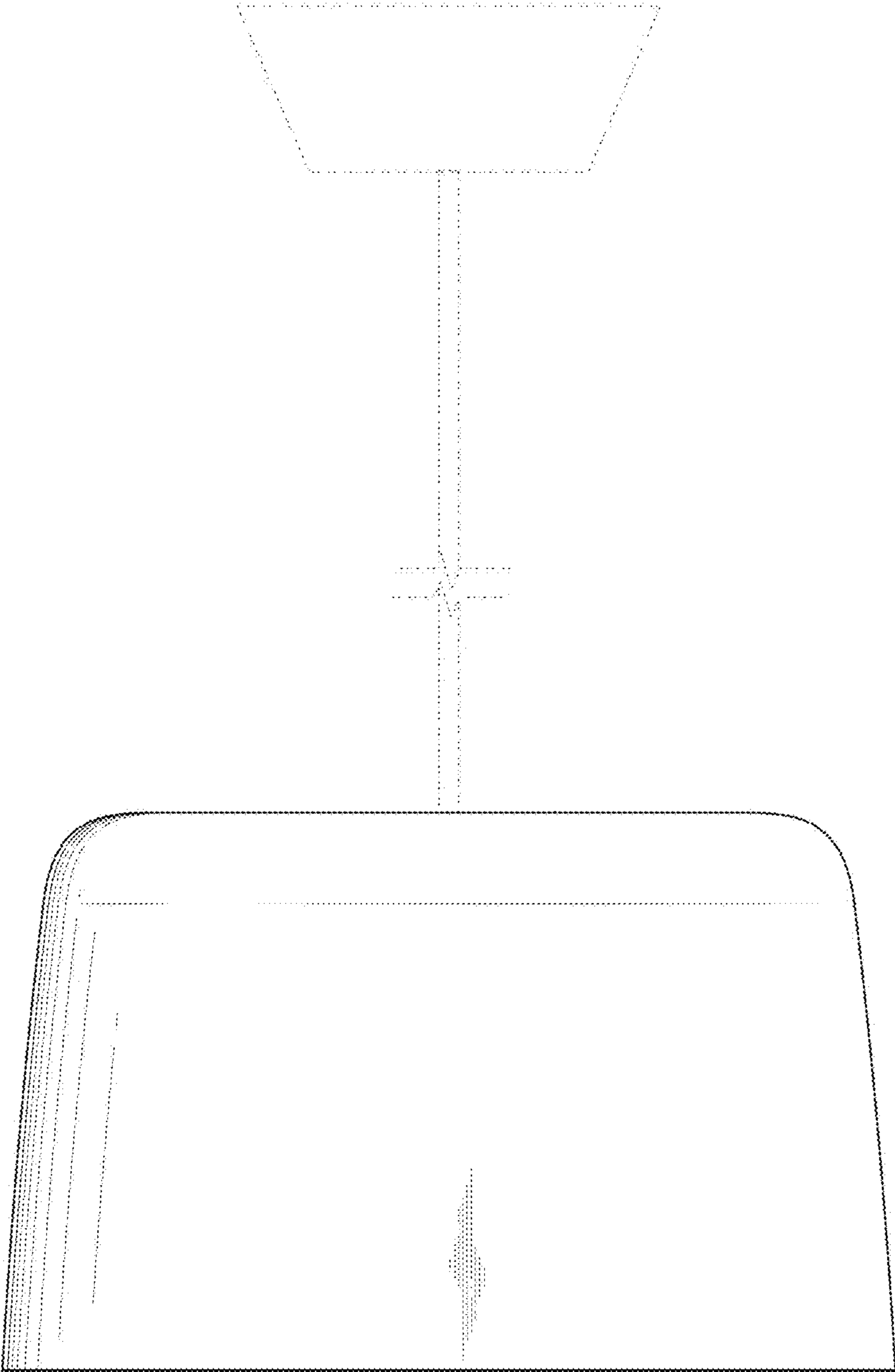


FIG. 22

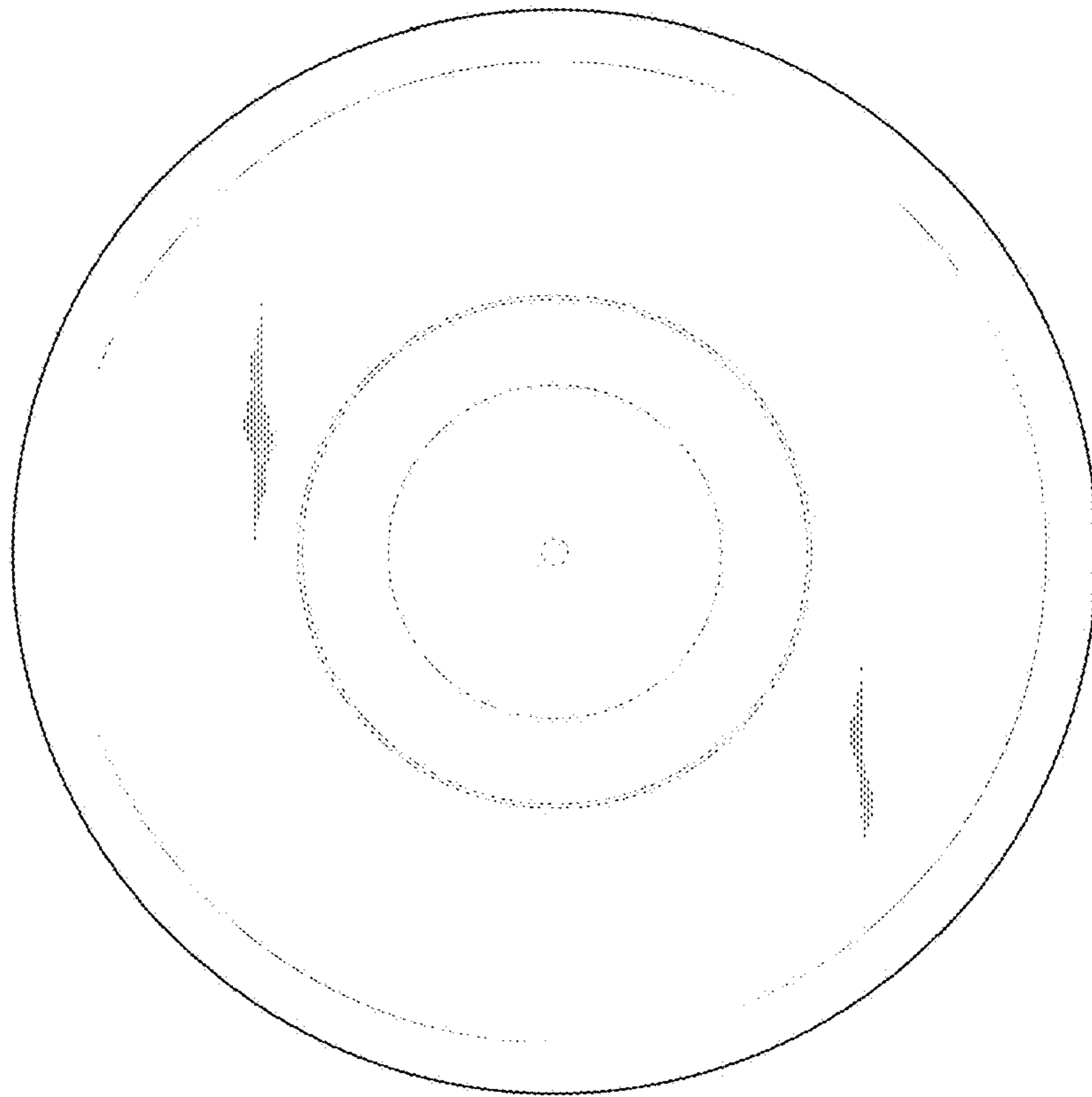


FIG. 23

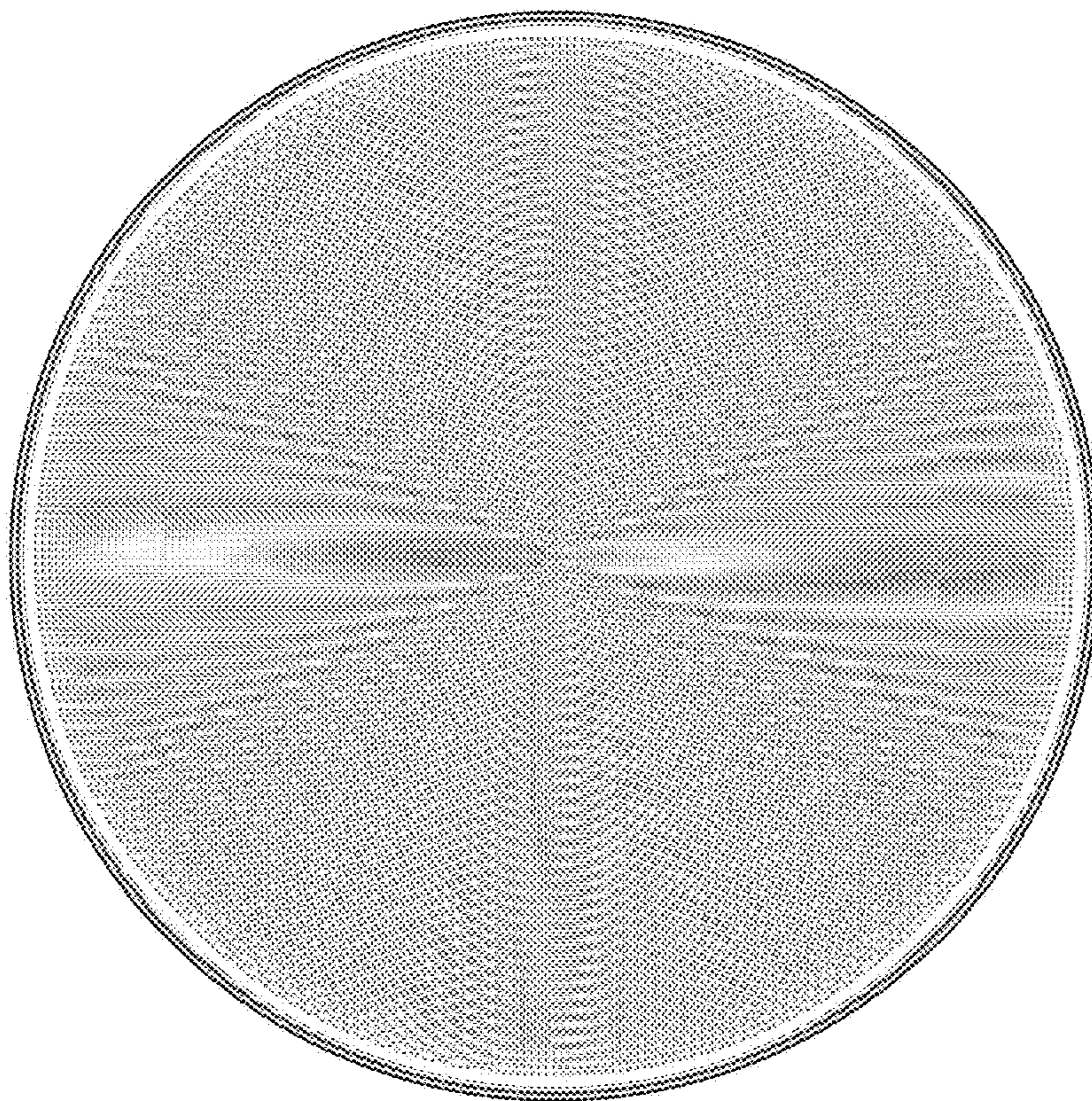


FIG. 24

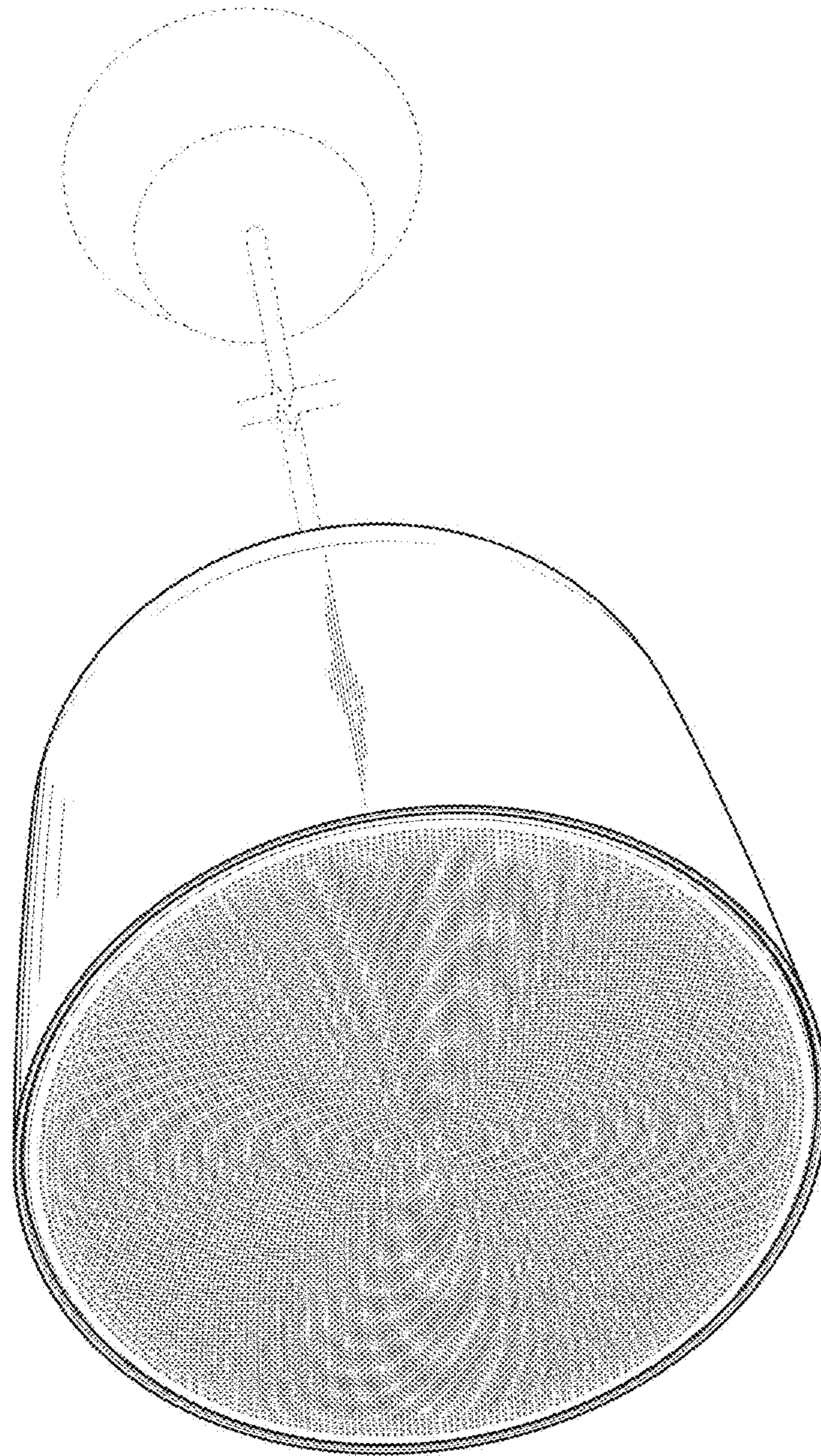


FIG. 25



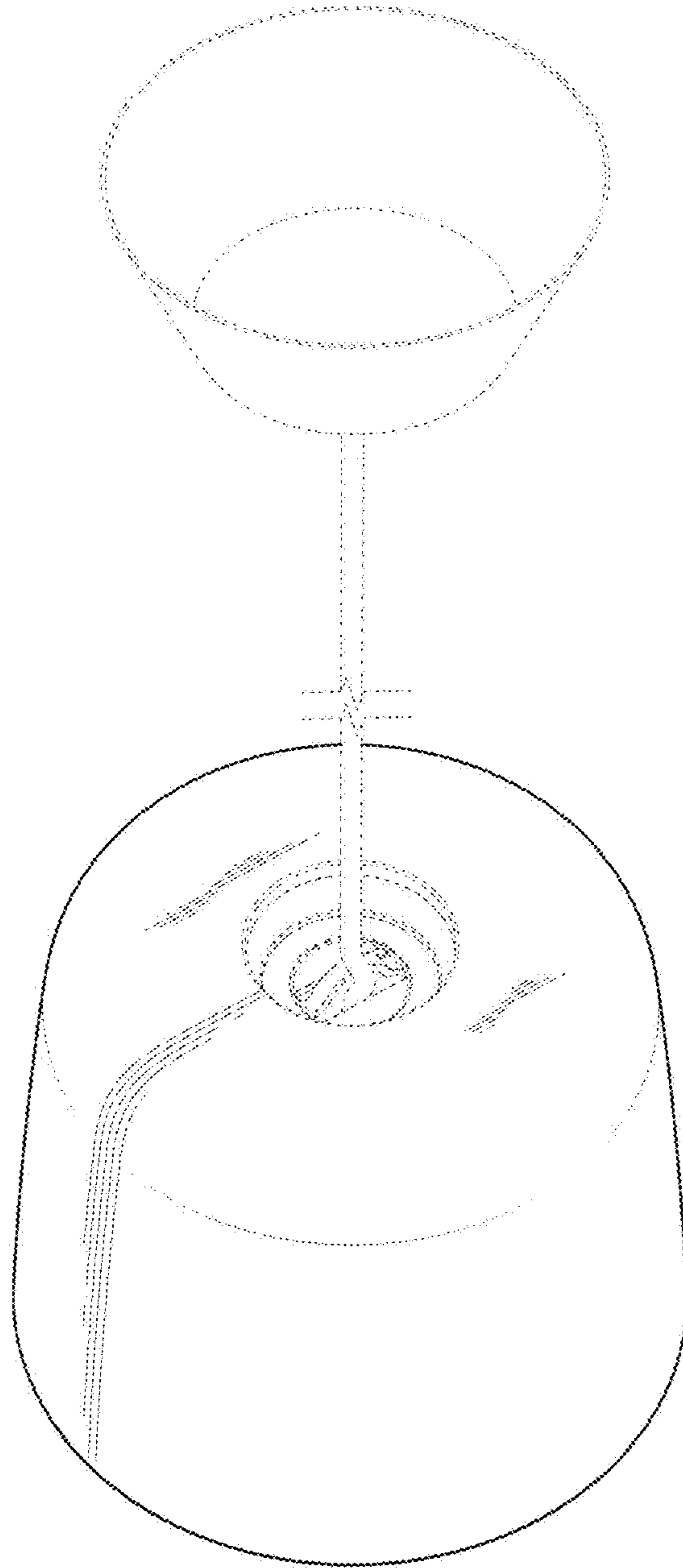


FIG. 26

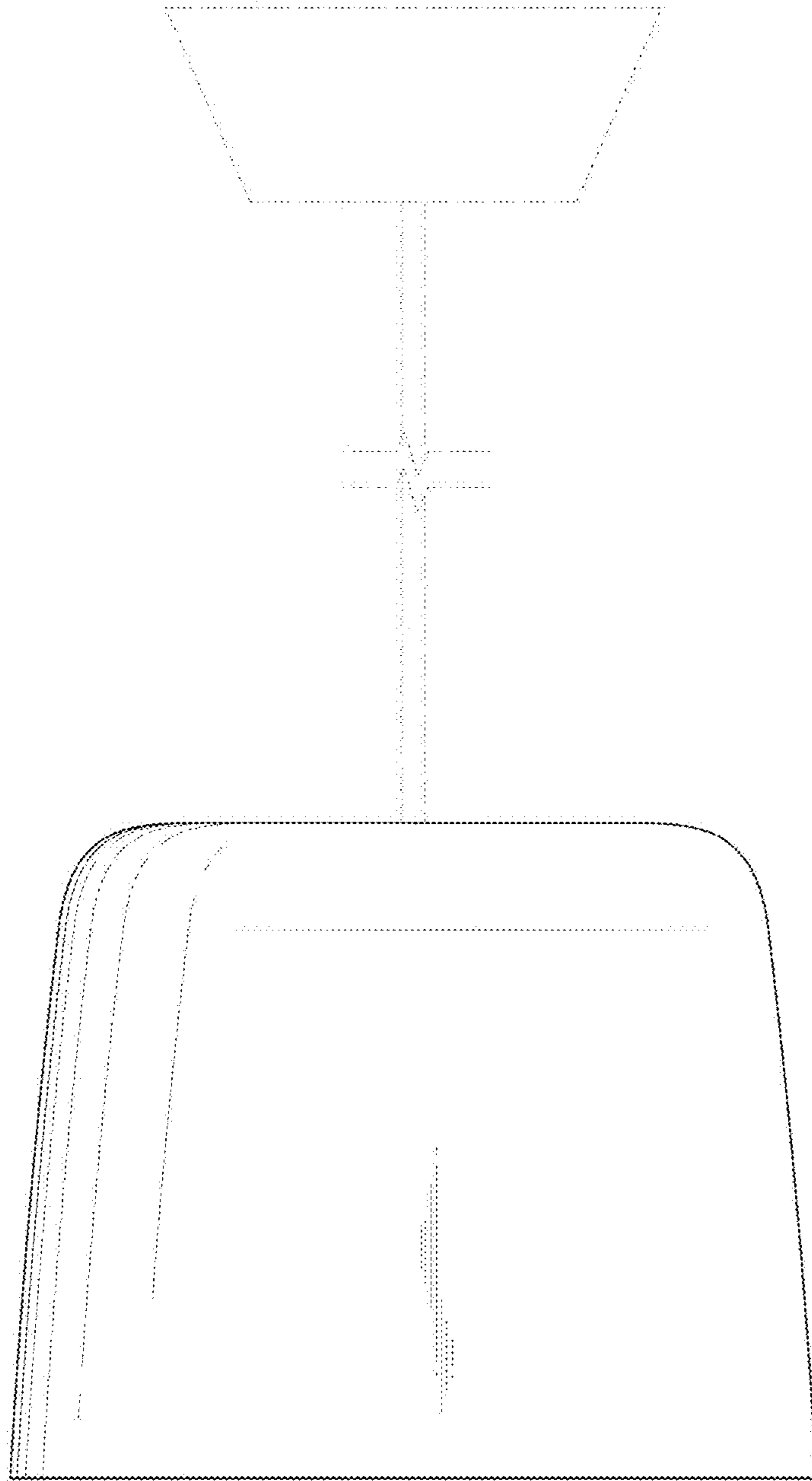


FIG. 27

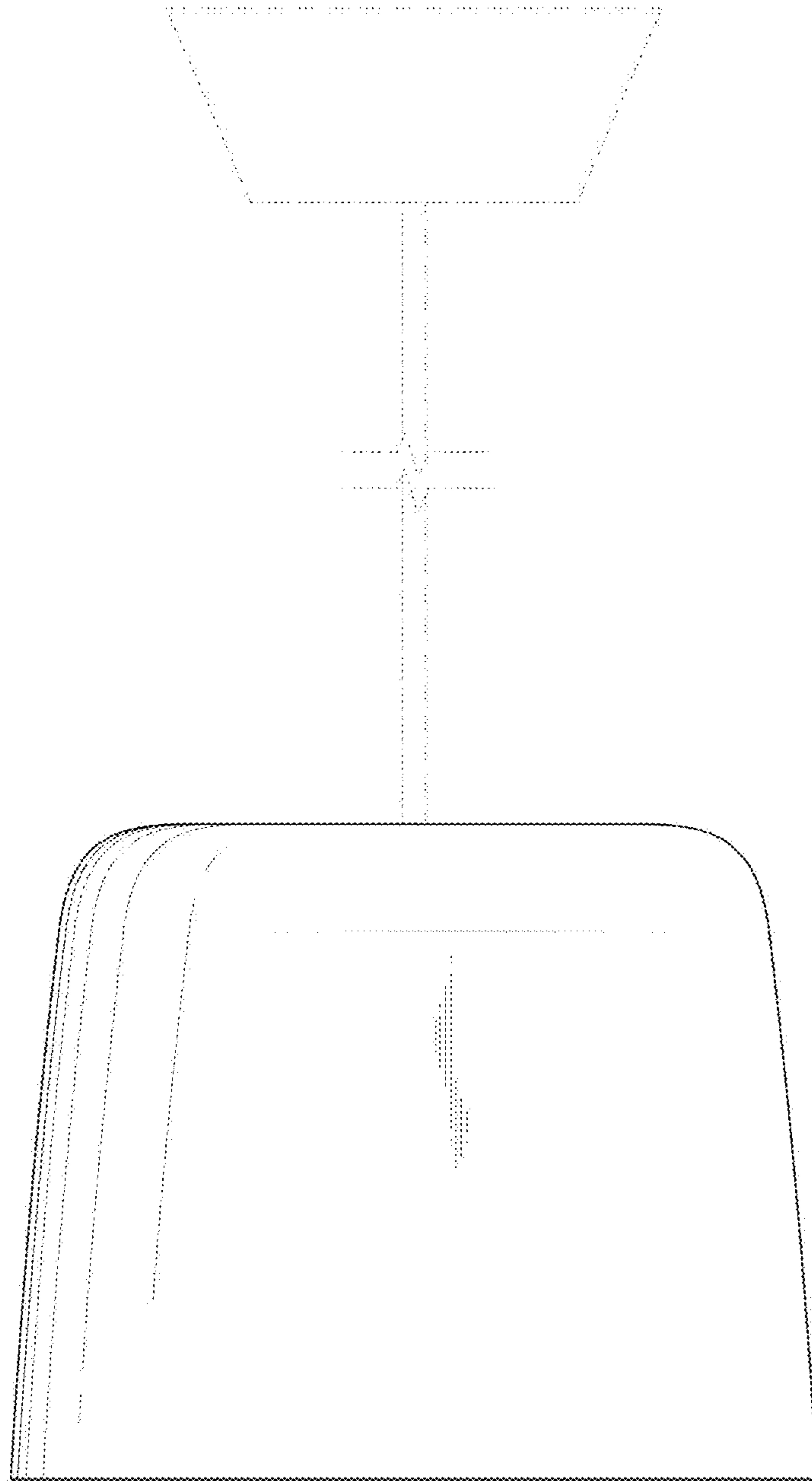


FIG. 28

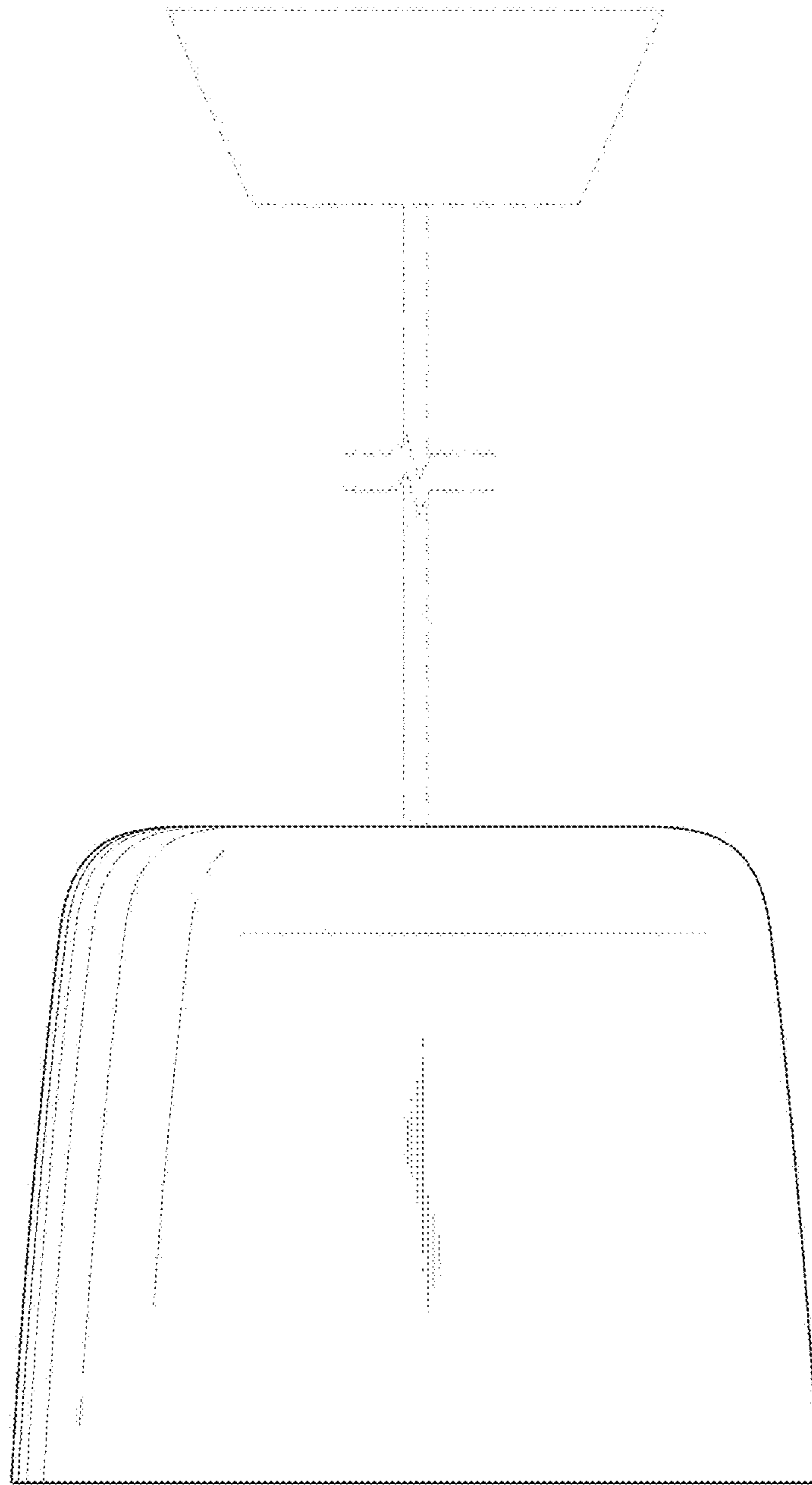


FIG. 29

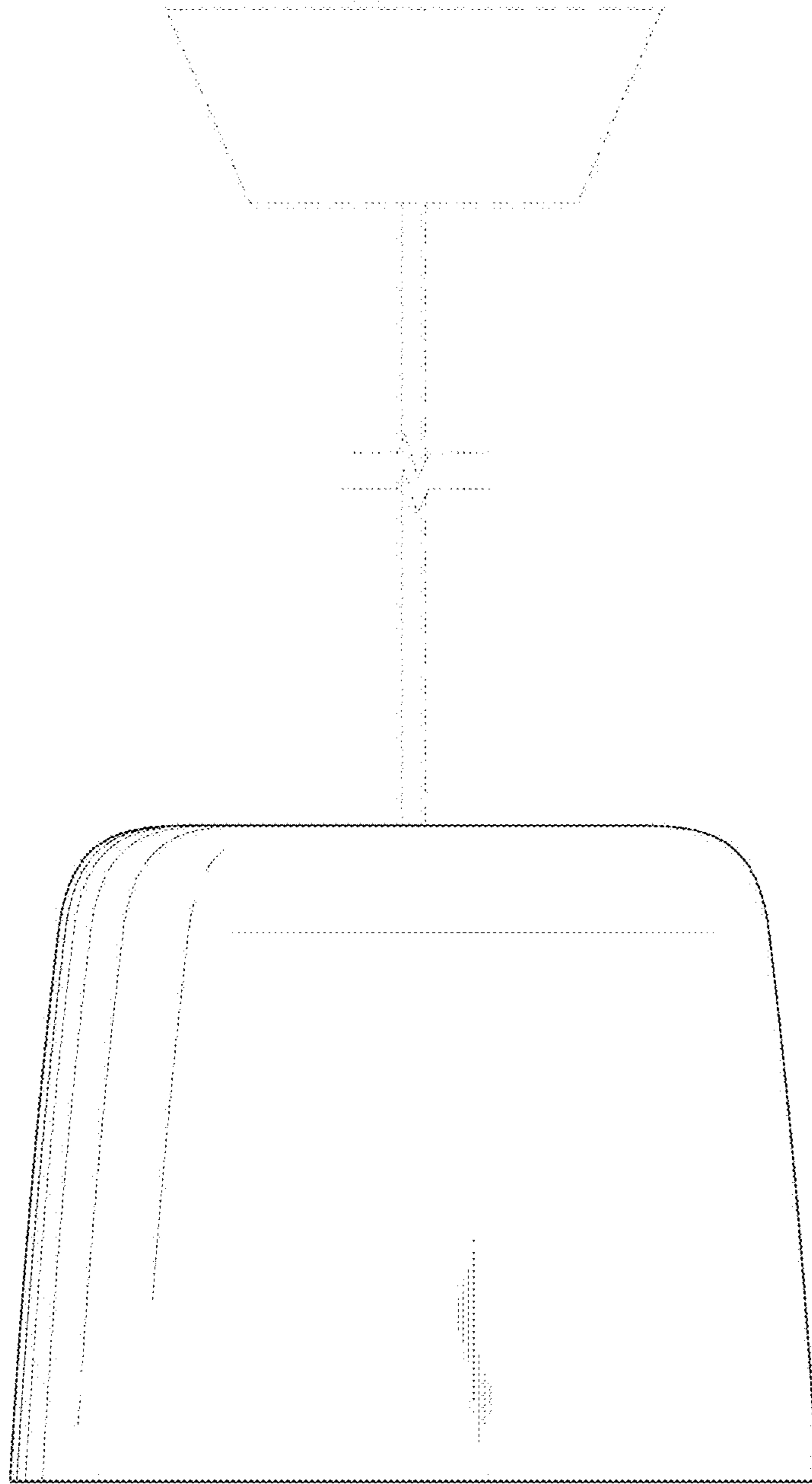


FIG. 30

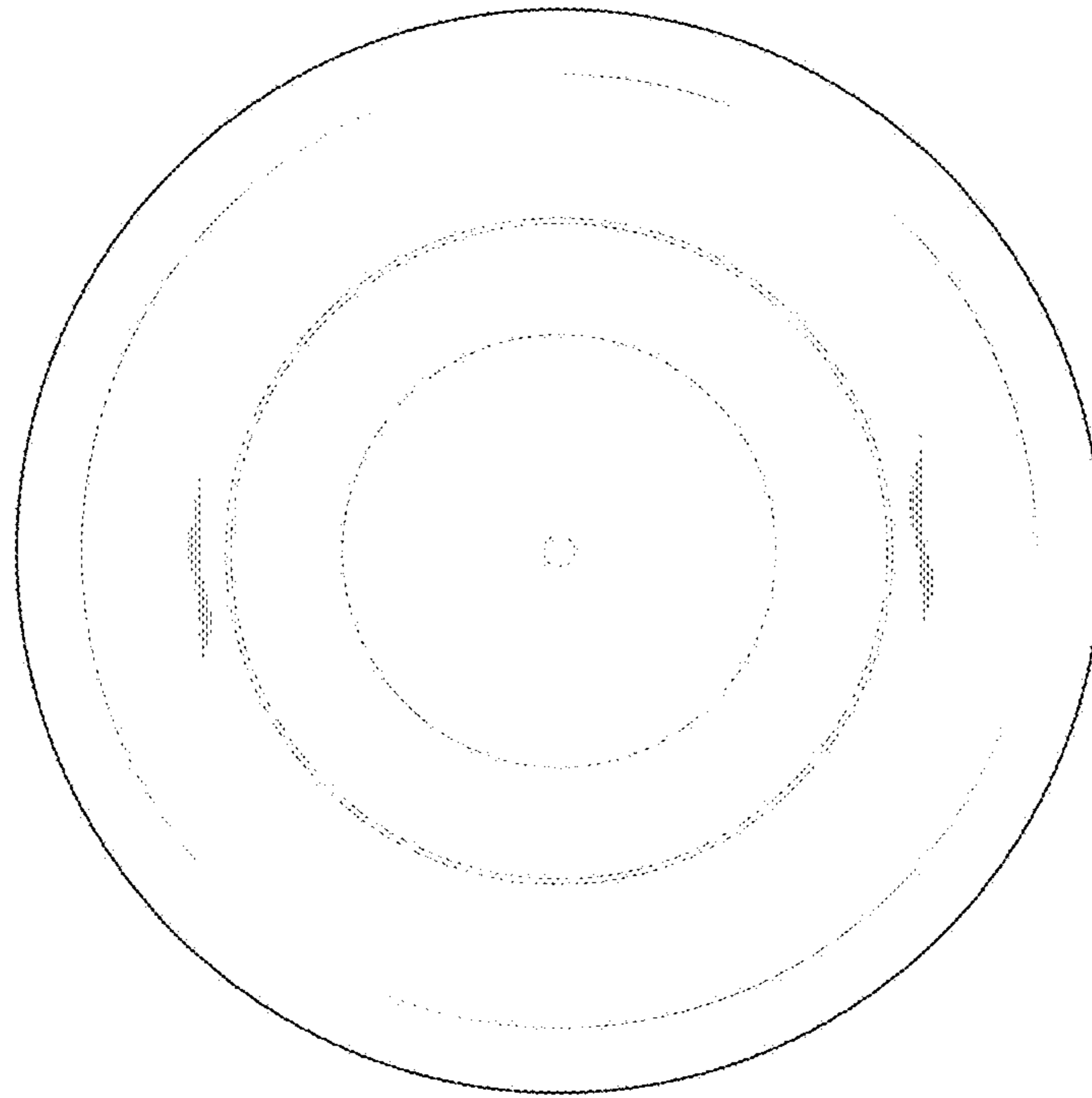


FIG. 31

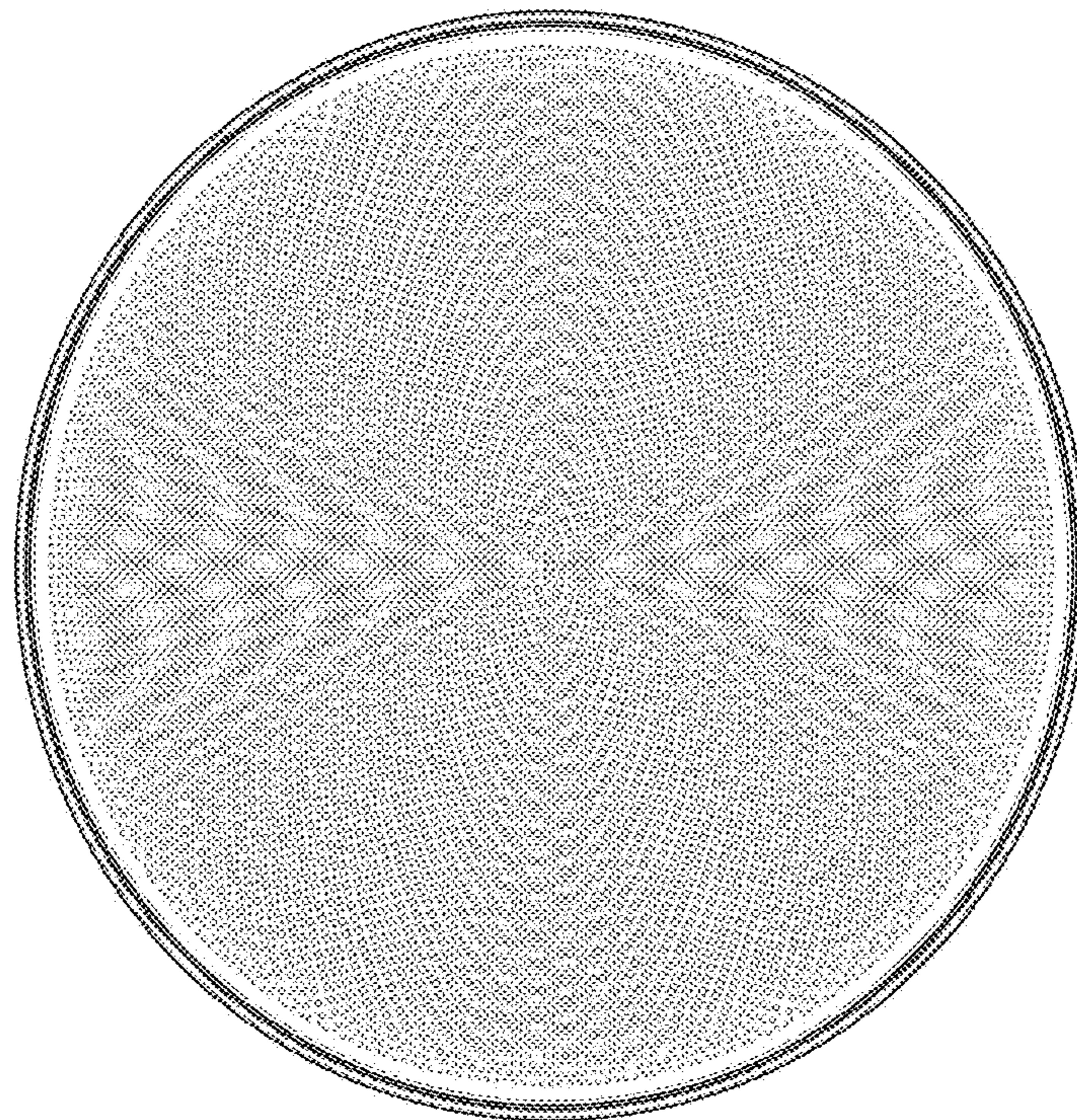


FIG. 32