



US00D987601S

(12) **United States Design Patent** (10) **Patent No.:** **US D987,601 S**
Andrianoely (45) **Date of Patent:** **** May 30, 2023**

- (54) **LOUDSPEAKER**
- (71) Applicant: **Harman International Industries, Incorporated**, Northridge, CA (US)
- (72) Inventor: **Soarivo Marina Andrianoely**, Shenzhen (CN)
- (73) Assignee: **Harman International Industries, Incorporated**, Northridge, CA (US)
- (**) Term: **15 Years**
- (21) Appl. No.: **29/802,828**
- (22) Filed: **Aug. 9, 2021**

D681,606 S	5/2013	Nishii et al.	
D711,852 S	8/2014	Mackiewicz et al.	
D715,770 S	10/2014	McManigal	
D743,940 S	11/2015	Yang et al.	
D744,982 S	12/2015	Kim et al.	
D751,527 S *	3/2016	Hinokio	D14/204
D754,095 S *	4/2016	Cho	D14/188
D754,104 S	4/2016	Koon et al.	
D757,678 S *	5/2016	Kelly	D14/204
D768,603 S	10/2016	Kim et al.	
D778,259 S	2/2017	Bouroullec et al.	
D781,812 S *	3/2017	Cho	D14/204
D785,596 S	5/2017	Lewis et al.	
D791,736 S	7/2017	Schoolmeester et al.	

(Continued)

Related U.S. Application Data

- (62) Division of application No. 29/719,403, filed on Jan. 3, 2020, now Pat. No. Des. 954,023.
- (51) **LOC (14) Cl.** **14-01**
- (52) **U.S. Cl.**
USPC **D14/214**
- (58) **Field of Classification Search**
USPC D14/170–172, 188, 203.1, 203.3, 203.6,
D14/204, 214, 216, 348; D26/51, 104
CPC . H04R 1/02; H04R 1/023; H04R 5/02; H04R
7/00; H04R 7/02; H04R 9/06; H04R
2400/00
See application file for complete search history.

References Cited

U.S. PATENT DOCUMENTS

D549,213 S *	8/2007	Warden	D14/188
D555,146 S *	11/2007	Sandy	D14/167
D557,624 S *	12/2007	Coster	D10/70
D596,614 S *	7/2009	Wilson	D14/188
D621,815 S	8/2010	Sakai	
D631,866 S	2/2011	Solland	
D655,270 S *	3/2012	Jain	D14/167
D660,284 S	5/2012	Carbone	

OTHER PUBLICATIONS

Office Action dated Nov. 8, 2022 in Design U.S. Appl. No. 29/777,765.
(Continued)

Primary Examiner — Janice Patyk
(74) *Attorney, Agent, or Firm* — Plumsea Law Group, LLC

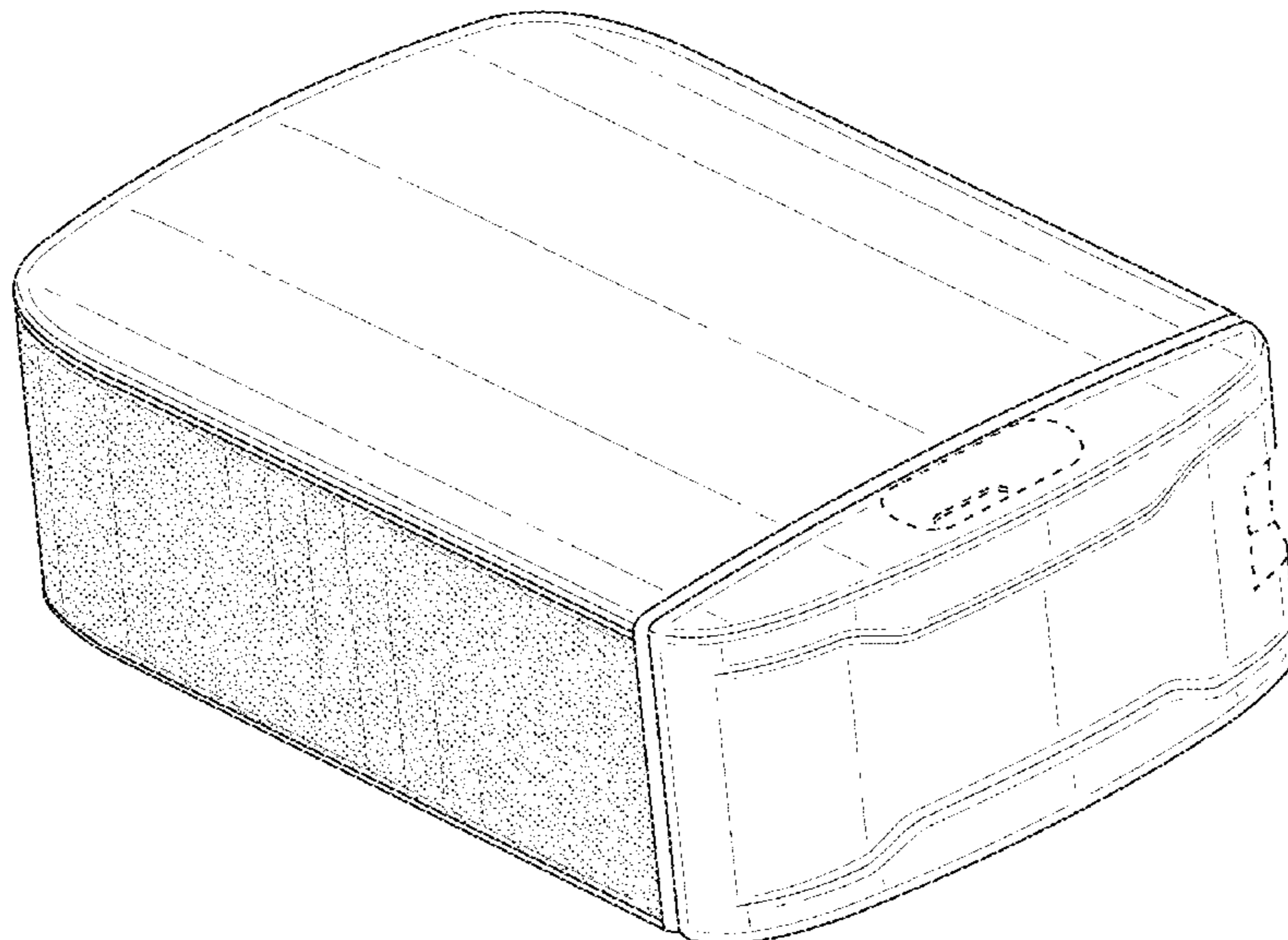
(57) **CLAIM**

The ornamental design for a loudspeaker, as shown and described.

DESCRIPTION

FIG. 1 is a top perspective view of a loudspeaker showing the new design;
FIG. 2 is a front elevational view thereof;
FIG. 3 is a rear elevational view thereof;
FIG. 4 is a side elevational view thereof;
FIG. 5 is an opposite side elevational view thereof;
FIG. 6 is a top view thereof; and,
FIG. 7 is a bottom view thereof.
The broken lines illustrate portions of the loudspeaker that form no part of the claimed design.

1 Claim, 7 Drawing Sheets



(56)

References Cited

U.S. PATENT DOCUMENTS

D793,362 S	8/2017	Fischer	
D800,694 S	10/2017	Sugiura	
D801,310 S	10/2017	Kachwalla et al.	
D803,183 S	11/2017	Lum et al.	
D806,055 S	12/2017	Fischer et al.	
D826,216 S	8/2018	Schoolmeester et al.	
D826,891 S	8/2018	Kim et al.	
D826,892 S	8/2018	Kim et al.	
D845,269 S	4/2019	Yang et al.	
D852,774 S	7/2019	Sugiura	
D854,510 S *	7/2019	Carnahan	D14/204
D856,301 S	8/2019	Lum et al.	
D862,415 S	10/2019	Krizan et al.	
D868,726 S	12/2019	Kim et al.	
D876,377 S	2/2020	Diao et al.	
D886,799 S	6/2020	Yang et al.	
D900,060 S	10/2020	Oota	
D900,785 S	11/2020	Kim et al.	
D900,786 S	11/2020	Kim et al.	
D906,278 S	12/2020	Laine et al.	
D906,283 S	12/2020	Schoolmeester et al.	
D906,286 S	12/2020	Hung	
D907,001 S *	1/2021	Kim	D14/170
D911,303 S	2/2021	Yang et al.	

OTHER PUBLICATIONS

Office Action dated Nov. 8, 2022 in Design U.S. Appl. No. 29/777,775.
Harman JBL Link Bar Specification Sheet, 2018.

* cited by examiner

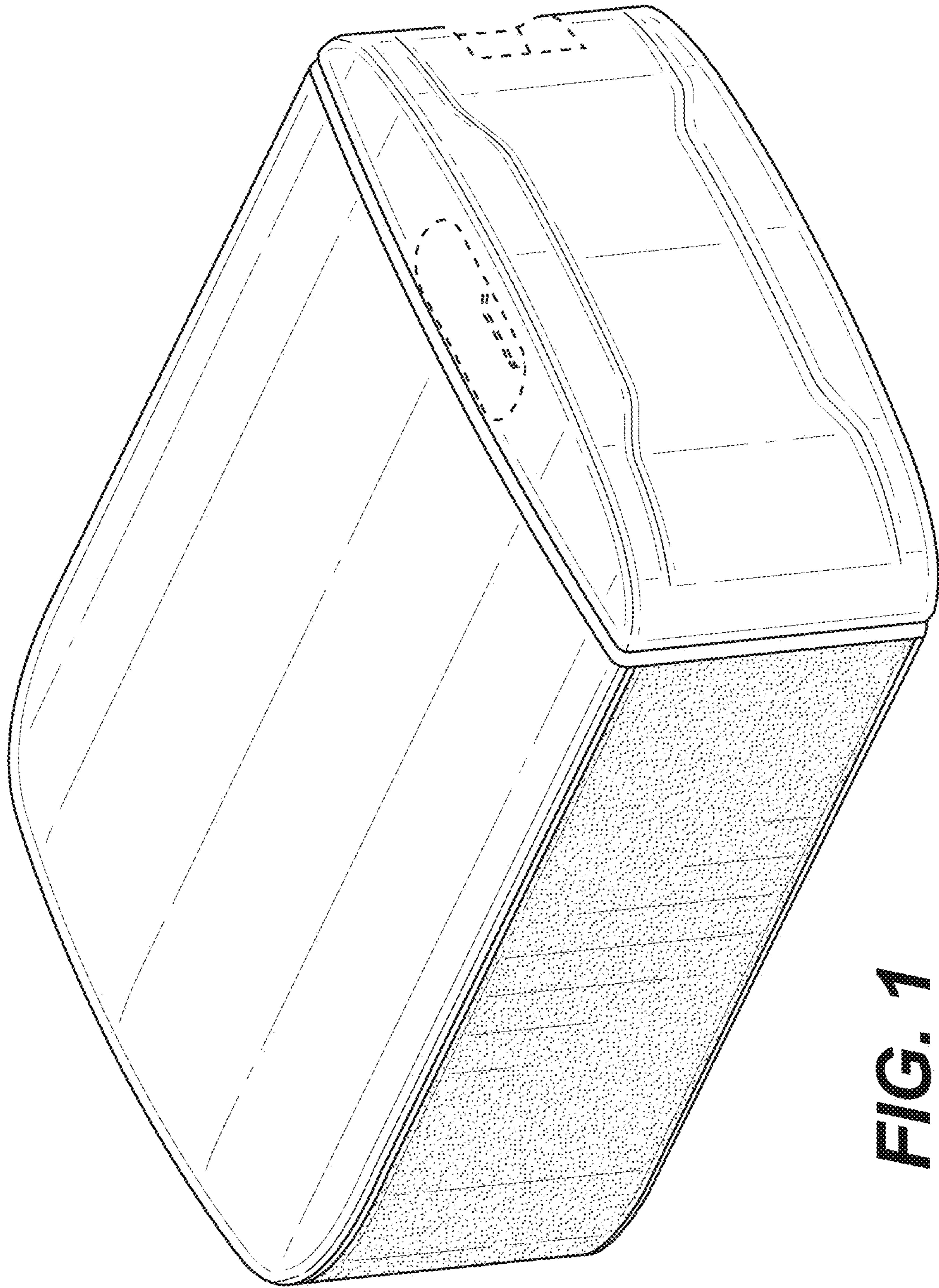


FIG. 1

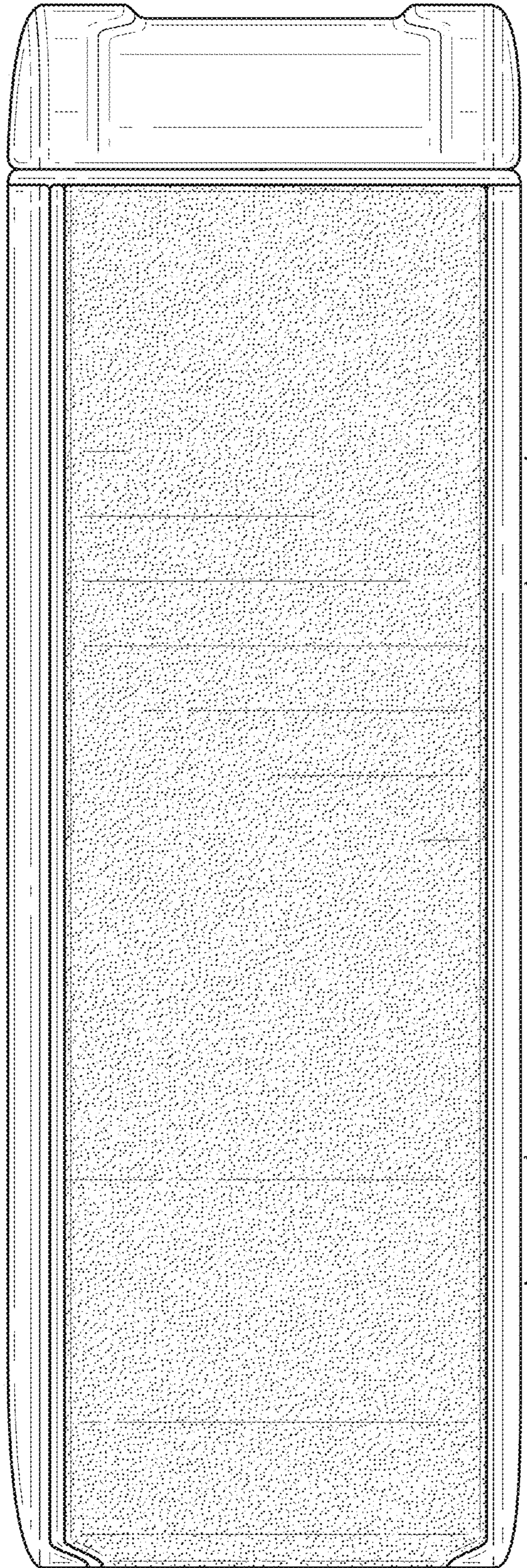


FIG. 2

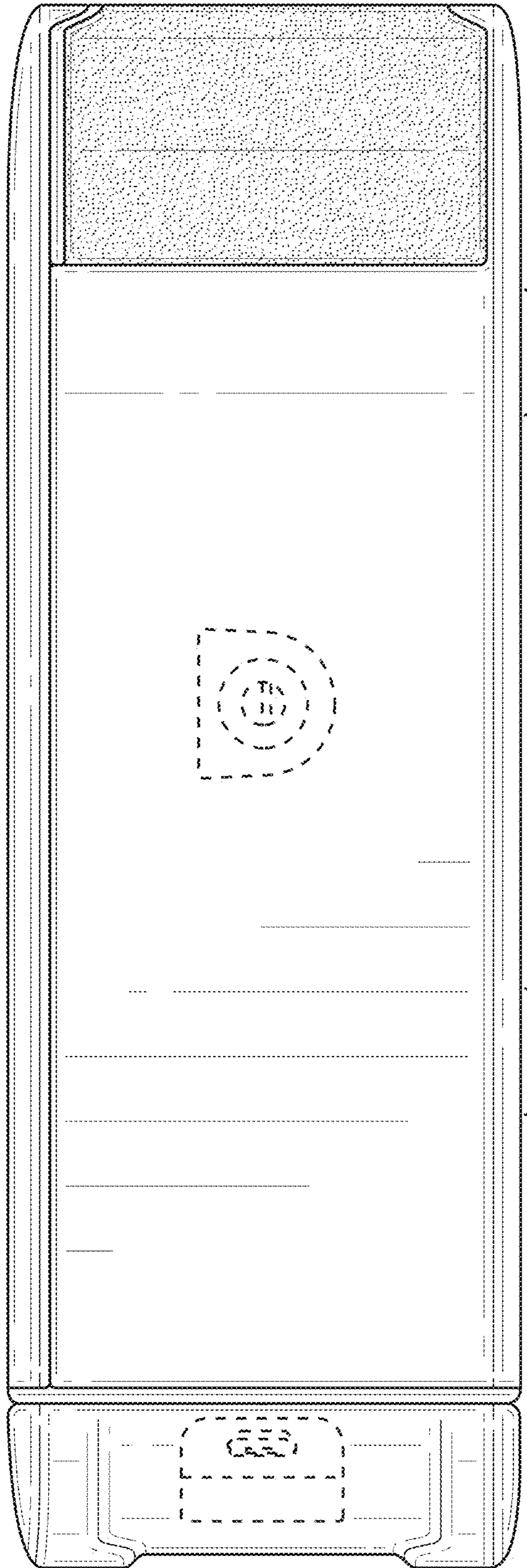


FIG. 3

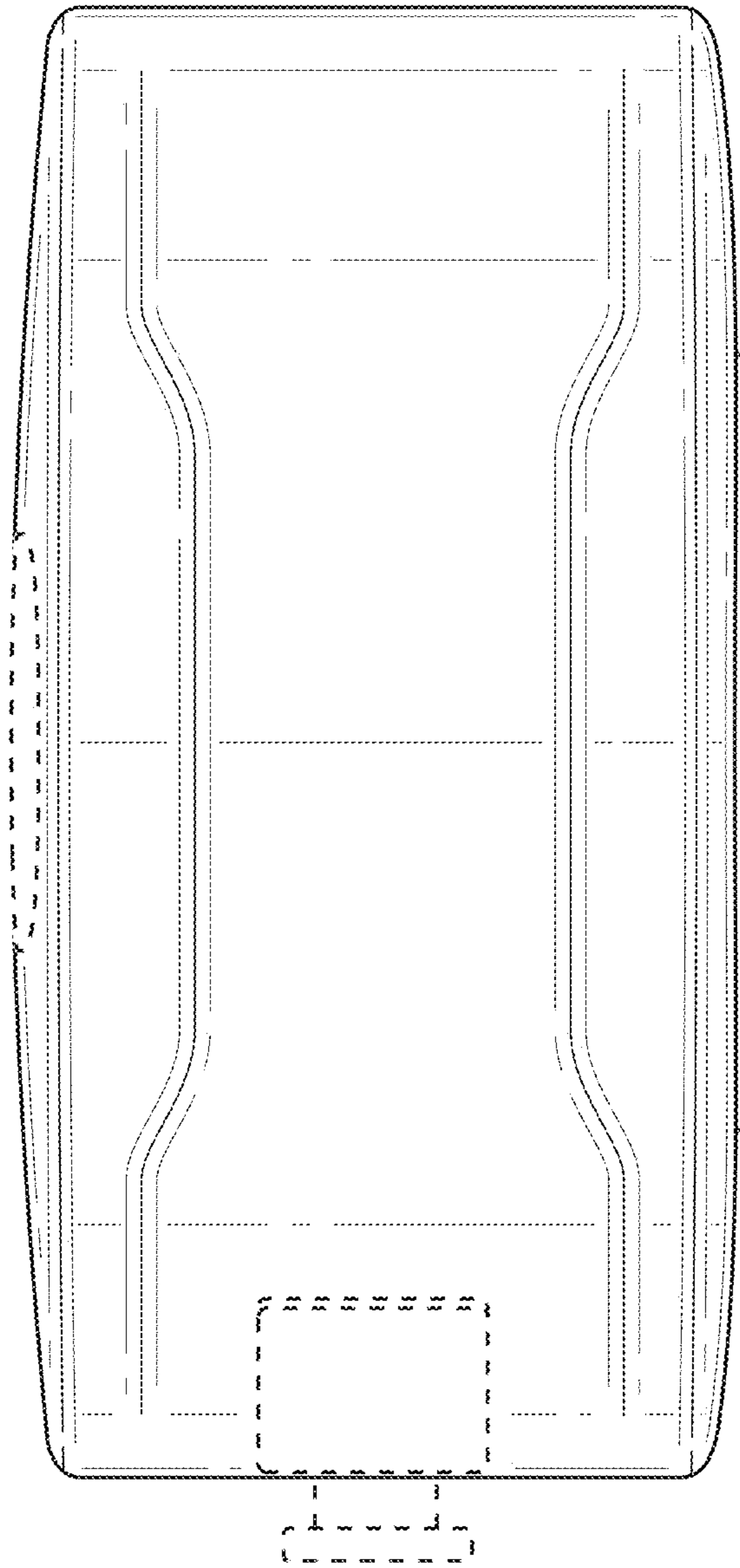


FIG. 4

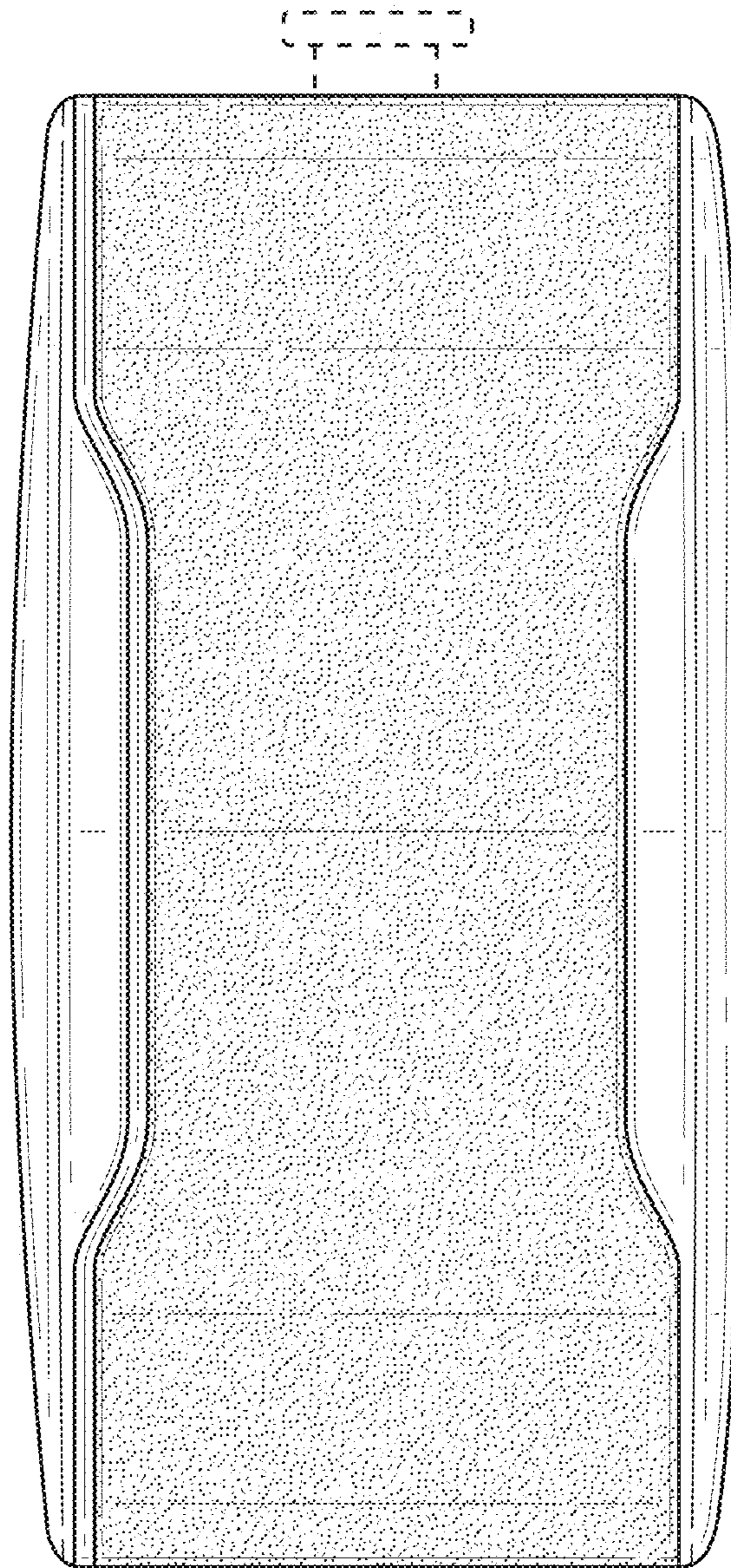


FIG. 5

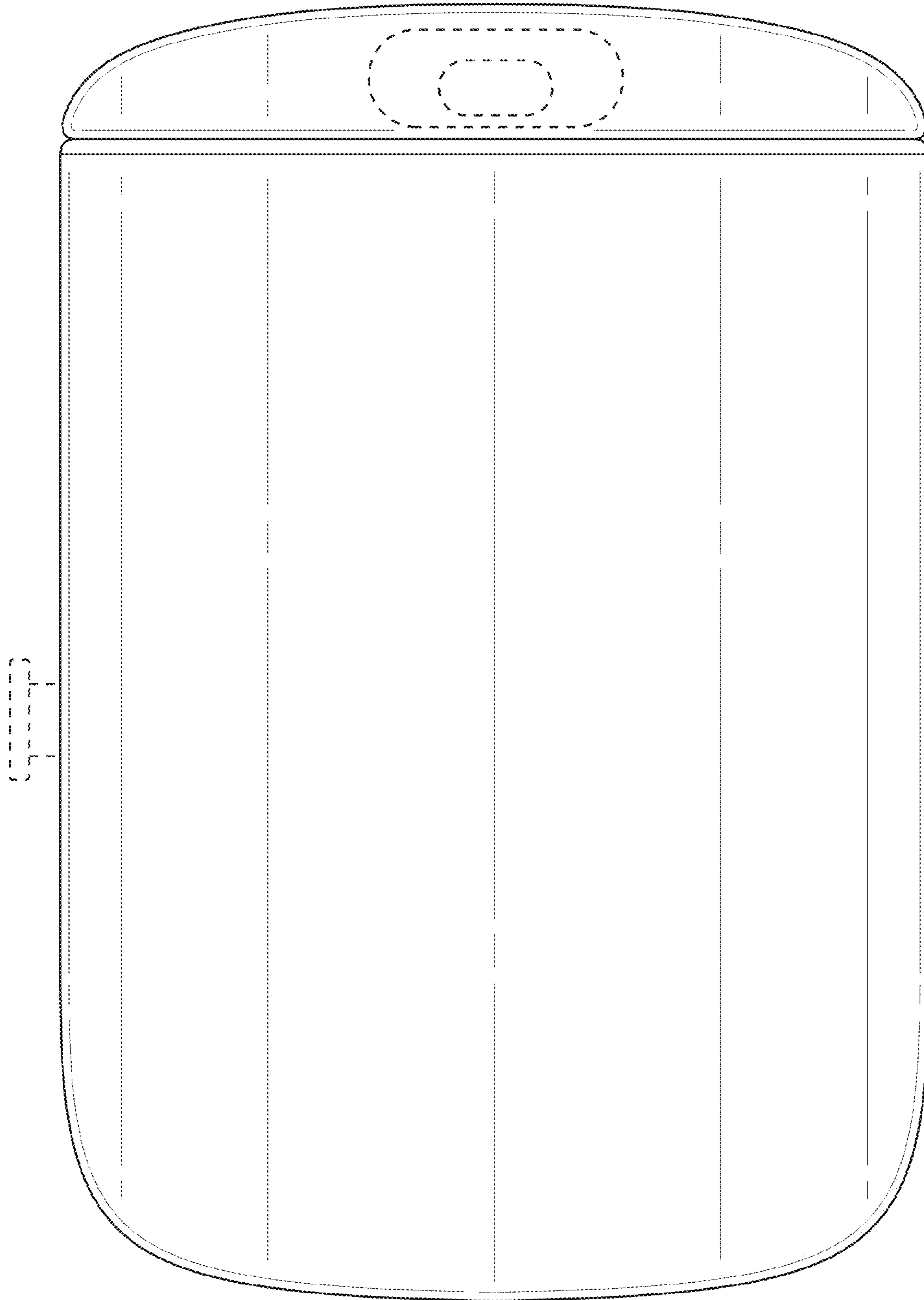


FIG. 6

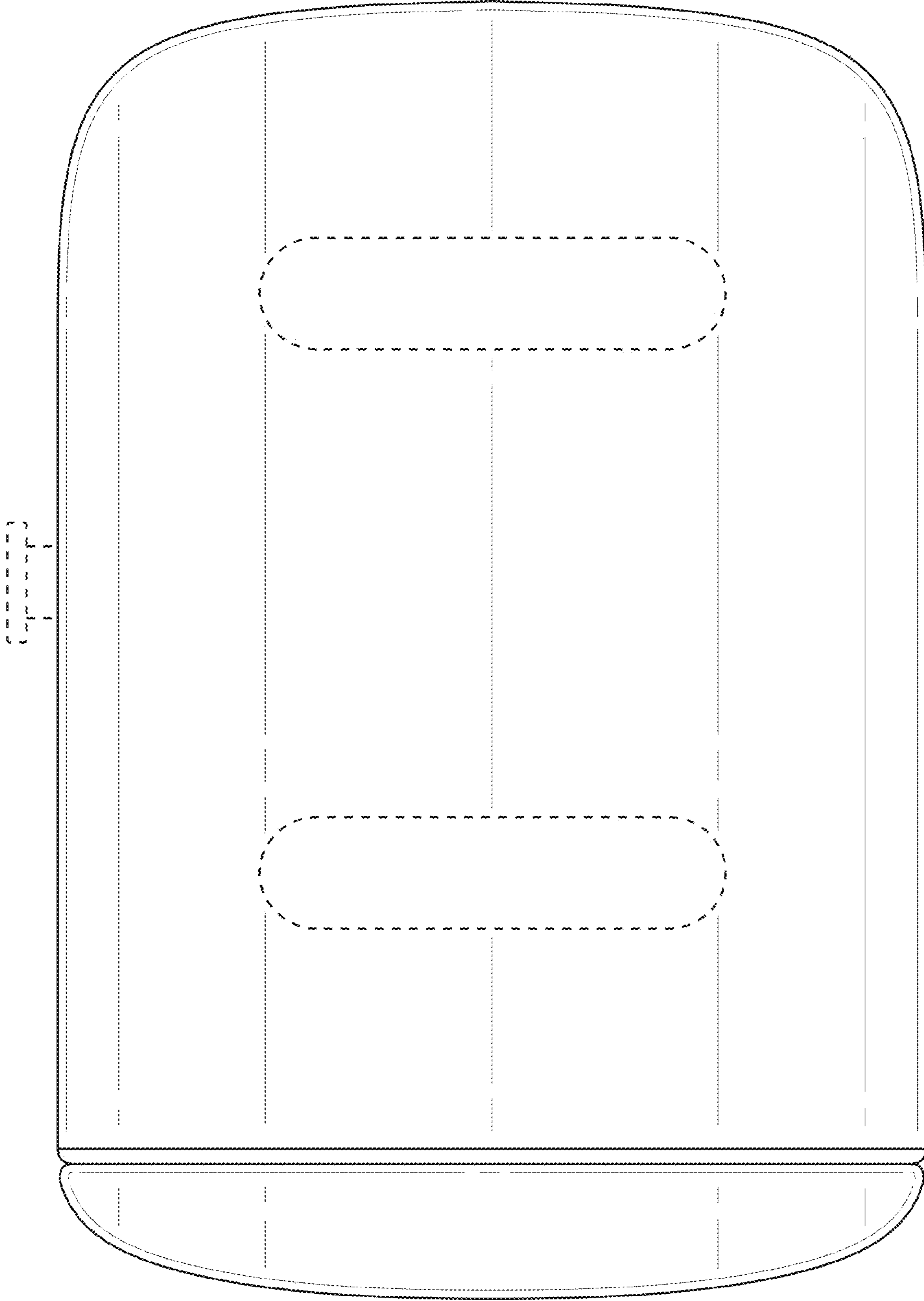


FIG. 7