



US00D987600S

(12) **United States Design Patent**
Lu

(10) **Patent No.:** **US D987,600 S**

(45) **Date of Patent:** **** May 30, 2023**

(54) **HEADSET**

(71) Applicant: **Dongguan Geshang Electronics Co., Ltd.**, Dongguan (CN)

(72) Inventor: **Qihao Lu**, Shantou (CN)

(73) Assignee: **Dongguan Geshang Electronics Co., Ltd.**, Dongguan (CN)

(**) Term: **15 Years**

(21) Appl. No.: **29/795,641**

(22) Filed: **Jun. 18, 2021**

(51) **LOC (14) Cl.** **14-01**

(52) **U.S. Cl.**
USPC **D14/205**

(58) **Field of Classification Search**
USPC D14/372, 205, 188, 192, 206; D29/112;
2/209; 381/380-381, 378-379; 455/90.3,
455/575.1, 569.1
CPC H04R 25/00; H04R 25/02; H04R 1/10;
H04R 1/1066; H04R 1/1016; H04R
5/033; H04R 5/0335; H04R 1/1091
See application file for complete search history.

(56) **References Cited**

U.S. PATENT DOCUMENTS

D367,272 S * 2/1996 Hood D14/405
D795,867 S * 8/2017 Huang D14/372

D941,803 S * 1/2022 He D14/206
D948,472 S * 4/2022 Godinez D14/205
D949,126 S * 4/2022 Shen D14/206
D949,127 S * 4/2022 Shen D14/206
D953,292 S * 5/2022 Zhang D14/206
D960,126 S * 8/2022 Mahaffy D14/206
D961,547 S * 8/2022 Li D14/206
D965,555 S * 10/2022 Chen D14/206
D967,797 S * 10/2022 Værum D14/206
D968,355 S * 11/2022 Wu D14/205
D971,877 S * 12/2022 Yang D14/206
D972,530 S * 12/2022 Ahovi D14/206
D973,631 S * 12/2022 Yook D14/206
D976,229 S * 1/2023 Xie D14/206
D976,231 S * 1/2023 Zhou D14/206

* cited by examiner

Primary Examiner — Austin Murphy

(57) **CLAIM**

The ornamental design for a headset, as shown and described.

DESCRIPTION

FIG. 1 is a front view of a headset;
FIG. 2 is a back view of the headset;
FIG. 3 is a right side view of the headset;
FIG. 4 is a left side view of the headset;
FIG. 5 is a top view of the headset;
FIG. 6 is a bottom view of the headset; and,
FIG. 7 is a perspective view of the headset.

1 Claim, 7 Drawing Sheets

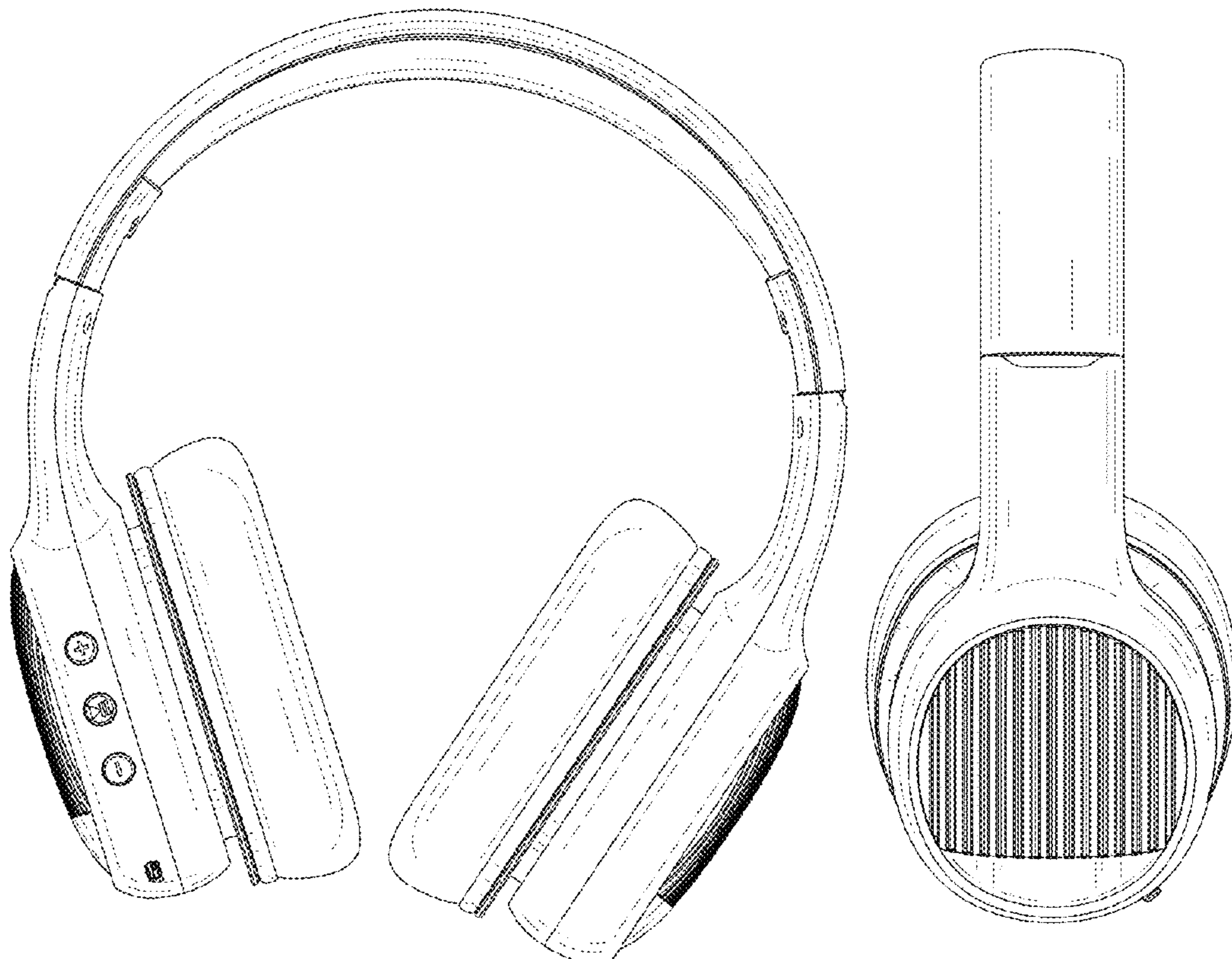




FIG 1



FIG 2

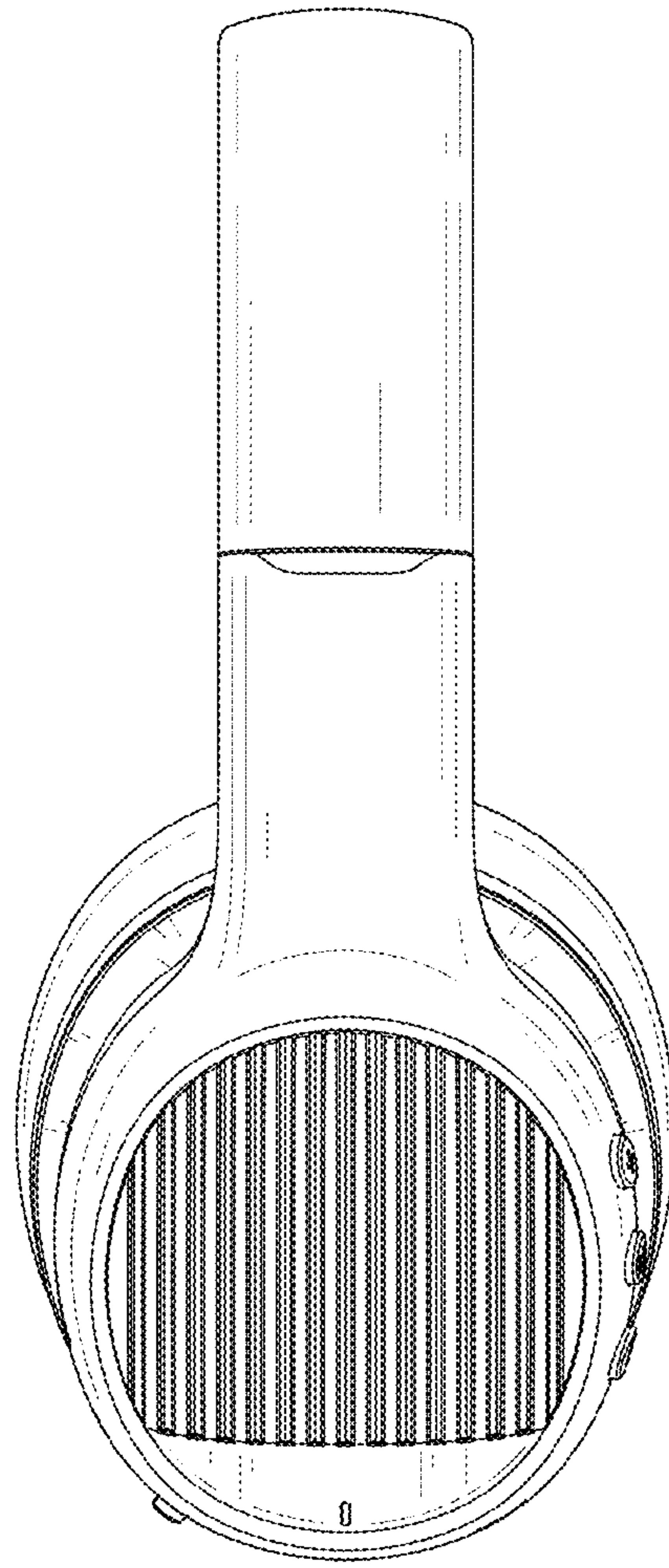


FIG 3

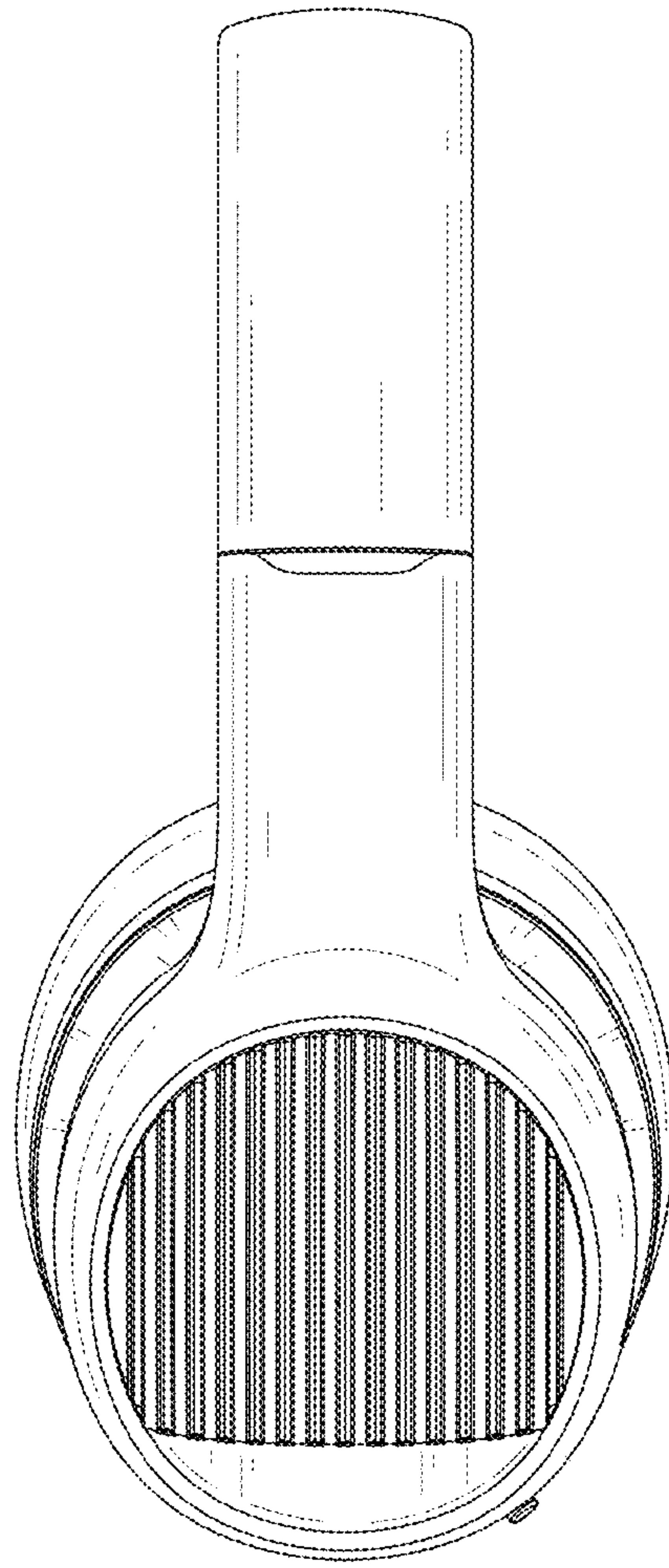


FIG 4

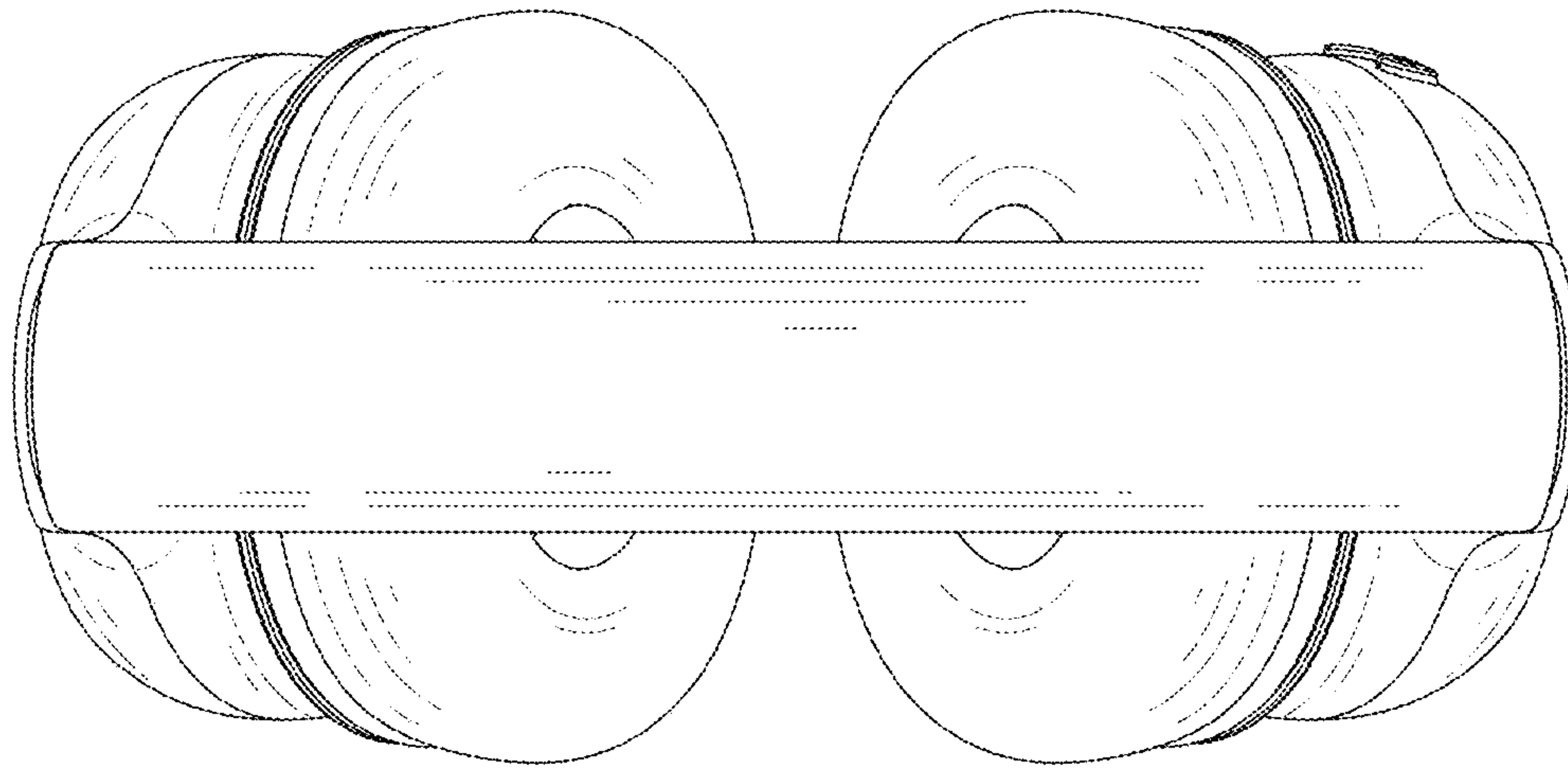


FIG 5

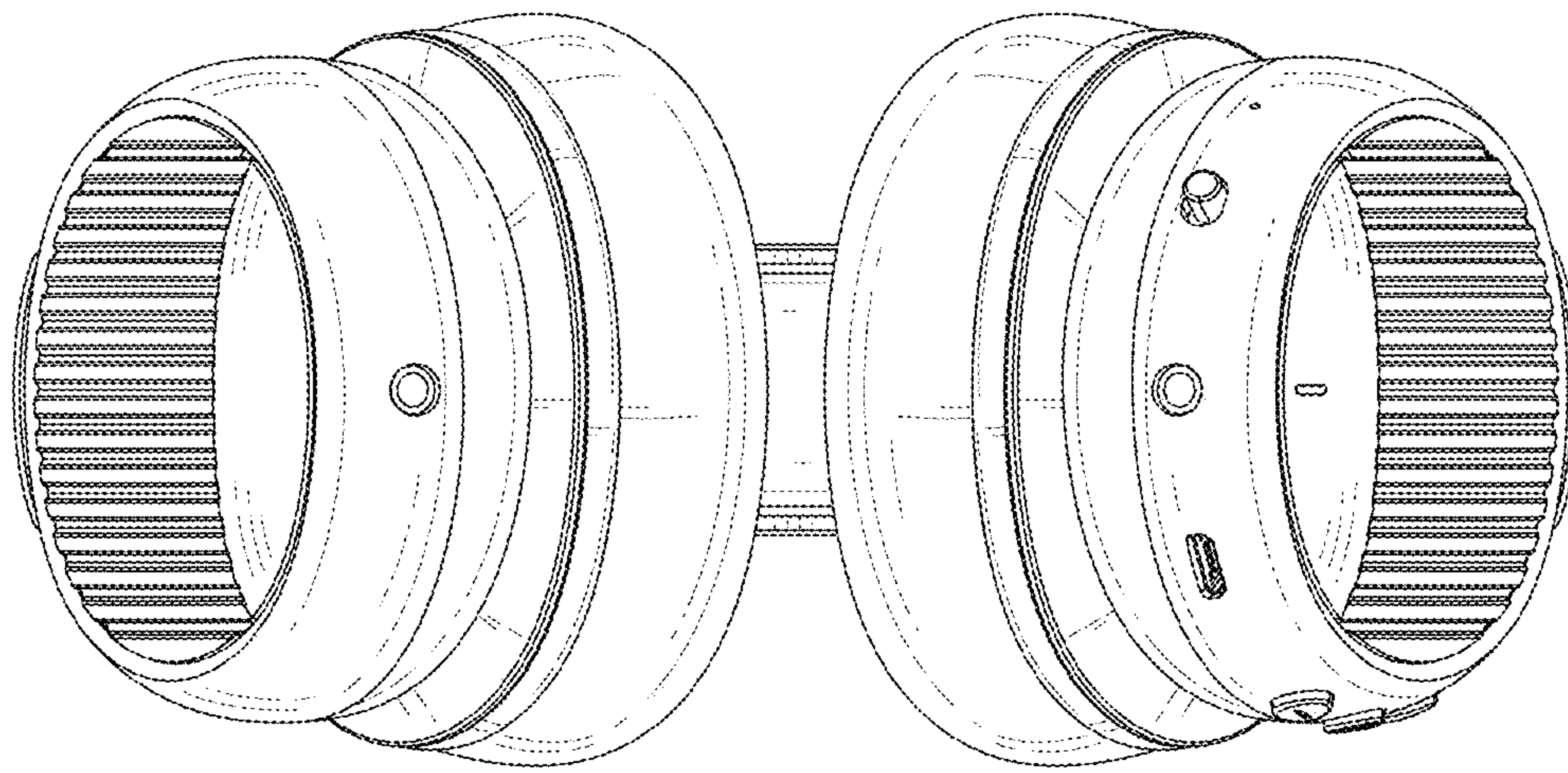


FIG 6

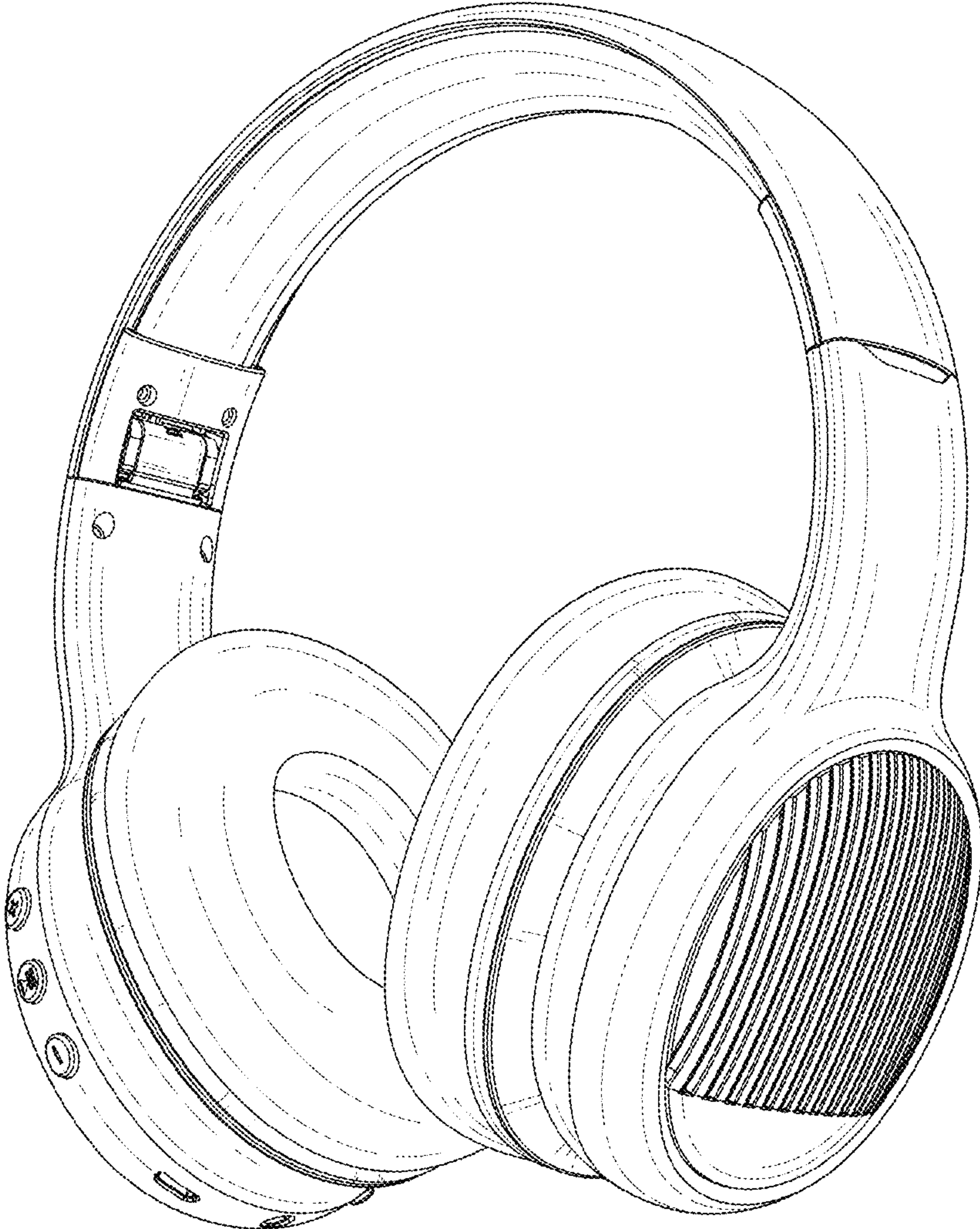


FIG 7