



US00D987598S

(12) **United States Design Patent**
Lin et al.

(10) **Patent No.:** **US D987,598 S**
(45) **Date of Patent:** **** May 30, 2023**

(54) **WIRELESS HEADPHONE**
(71) Applicant: **YEALINK (XIAMEN) NETWORK TECHNOLOGY CO., LTD.**, Fujian (CN)

(72) Inventors: **Canhong Lin**, Xiamen (CN);
Jiancheng Zhang, Xiamen (CN)

(73) Assignee: **YEALINK (XIAMEN) NETWORK TECHNOLOGY CO., LTD.**, Xiamen (CN)

(**) Term: **15 Years**

(21) Appl. No.: **29/774,717**

(22) Filed: **Mar. 18, 2021**

(30) **Foreign Application Priority Data**

Dec. 17, 2020 (CN) 202030779662.X

(51) **LOC (14) Cl.** **14-01**

(52) **U.S. Cl.**
USPC **D14/206**; D14/226

(58) **Field of Classification Search**
USPC D14/206, 205, 226, 225; D29/112;
2/209; 381/380-381, 374, 378
CPC H04R 25/00; H04R 1/1066; H04R 1/1016;
H04R 1/10; H04R 5/033; H04R 5/0335;
H04R 1/105; H04R 1/1083; H04R
1/1041; H04R 19/04

See application file for complete search history.

(56) **References Cited**

U.S. PATENT DOCUMENTS

2,437,049 A * 3/1948 Robert A61F 11/14
2/209
6,560,346 B2 * 5/2003 Ohta H04R 1/083
381/370
6,970,572 B2 * 11/2005 Murozaki H04M 1/05
381/381

D549,688 S * 8/2007 Suzuki D14/205
D588,098 S * 3/2009 Kurihara D14/205
D634,732 S * 3/2011 Kondo D14/205
8,295,529 B2 * 10/2012 Petersen H04R 1/083
381/374
D683,329 S * 5/2013 Hagelin D14/205
D696,644 S * 12/2013 Sejpka D14/205

(Continued)

FOREIGN PATENT DOCUMENTS

EM 008069306-0001 * 8/2020
GB 6214075 * 6/2022

Primary Examiner — Paula Allen Greene

(74) *Attorney, Agent, or Firm* — Ladas & Parry LLP

(57) **CLAIM**

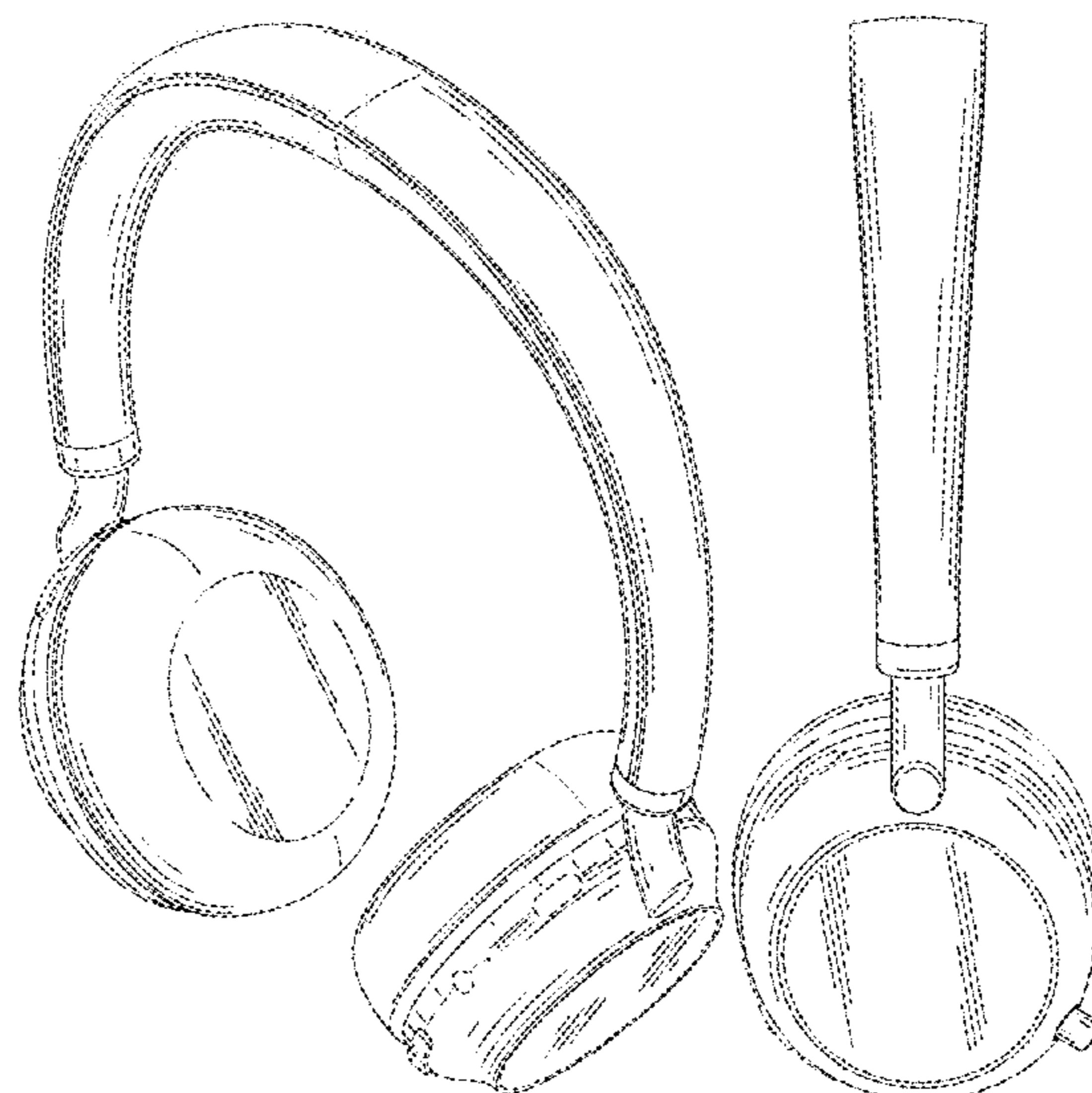
The ornamental design for a wireless headphone, as shown and described.

DESCRIPTION

FIG. 1 is a side perspective view of a wireless headphone showing the microphone in a retracted position; FIG. 2 is another side perspective view thereof; FIG. 3 is a front elevation view thereof; FIG. 4 is a rear elevation view thereof; FIG. 5 is a left side view thereof; FIG. 6 is a right side view thereof; FIG. 7 is a top view thereof; FIG. 8 is a bottom view thereof. FIG. 9 is a side perspective view of a wireless headphone in FIG. 1, showing the microphone in an extended position; and, FIG. 10 is another side perspective view of a wireless headphone in FIG. 1, showing the microphone in an extended position.

The broken lines to the exterior circular headphone rims and the headphone control buttons form no part of the claimed design.

1 Claim, 10 Drawing Sheets



(56)

References Cited

U.S. PATENT DOCUMENTS

D711,850 S * 8/2014 Ang H04R 1/1066
 D14/205
 D722,998 S * 2/2015 Sancho D14/205
 D724,561 S * 3/2015 Ko D14/205
 D727,289 S * 4/2015 Czaniecki D14/205
 9,031,254 B2 * 5/2015 Heise H04R 1/1066
 381/74
 D739,842 S * 9/2015 Birger D14/205
 D757,680 S * 5/2016 Kelly D14/205
 D759,626 S * 6/2016 Wagner D14/205
 D763,223 S * 8/2016 Czaniecki D14/205
 9,426,554 B2 * 8/2016 Dai H04R 1/083
 D837,764 S * 1/2019 Xiao D14/205
 10,244,306 B1 * 3/2019 Ku H04R 3/02
 D847,778 S * 5/2019 Hardi D14/205
 D857,652 S * 8/2019 Wang D14/205
 D871,368 S * 12/2019 Saule D14/205
 D872,047 S * 1/2020 Luo D14/205
 D881,843 S * 4/2020 Hu D14/206
 10,616,677 B2 * 4/2020 Bozaglo H04R 1/1008

D888,010 S * 6/2020 Lindenberger D14/223
 D897,309 S * 9/2020 Cho D14/205
 D906,282 S * 12/2020 Kelley D14/206
 D928,116 S * 8/2021 Su D14/206
 D936,033 S * 11/2021 Lu D14/205
 D937,805 S * 12/2021 Bellham D14/205
 D944,766 S * 3/2022 He D14/206
 D944,767 S * 3/2022 He D14/206
 D949,822 S * 4/2022 Yoshimura D14/205
 D951,907 S * 5/2022 Bellham D14/206
 D951,909 S * 5/2022 He D14/206
 D952,599 S * 5/2022 Bellham D14/206
 D956,013 S * 6/2022 Bellham D14/206
 D960,127 S * 8/2022 Ahovi D14/206
 D960,863 S * 8/2022 Morimoto D14/205
 D960,864 S * 8/2022 Ahovi D14/206
 D968,367 S * 11/2022 Lindof D14/206
 D972,530 S * 12/2022 Ahovi D14/206
 2014/0153766 A1 * 6/2014 Huang H04R 1/1066
 381/378
 2016/0080853 A1 * 3/2016 Chen H04R 1/1083
 381/74

* cited by examiner

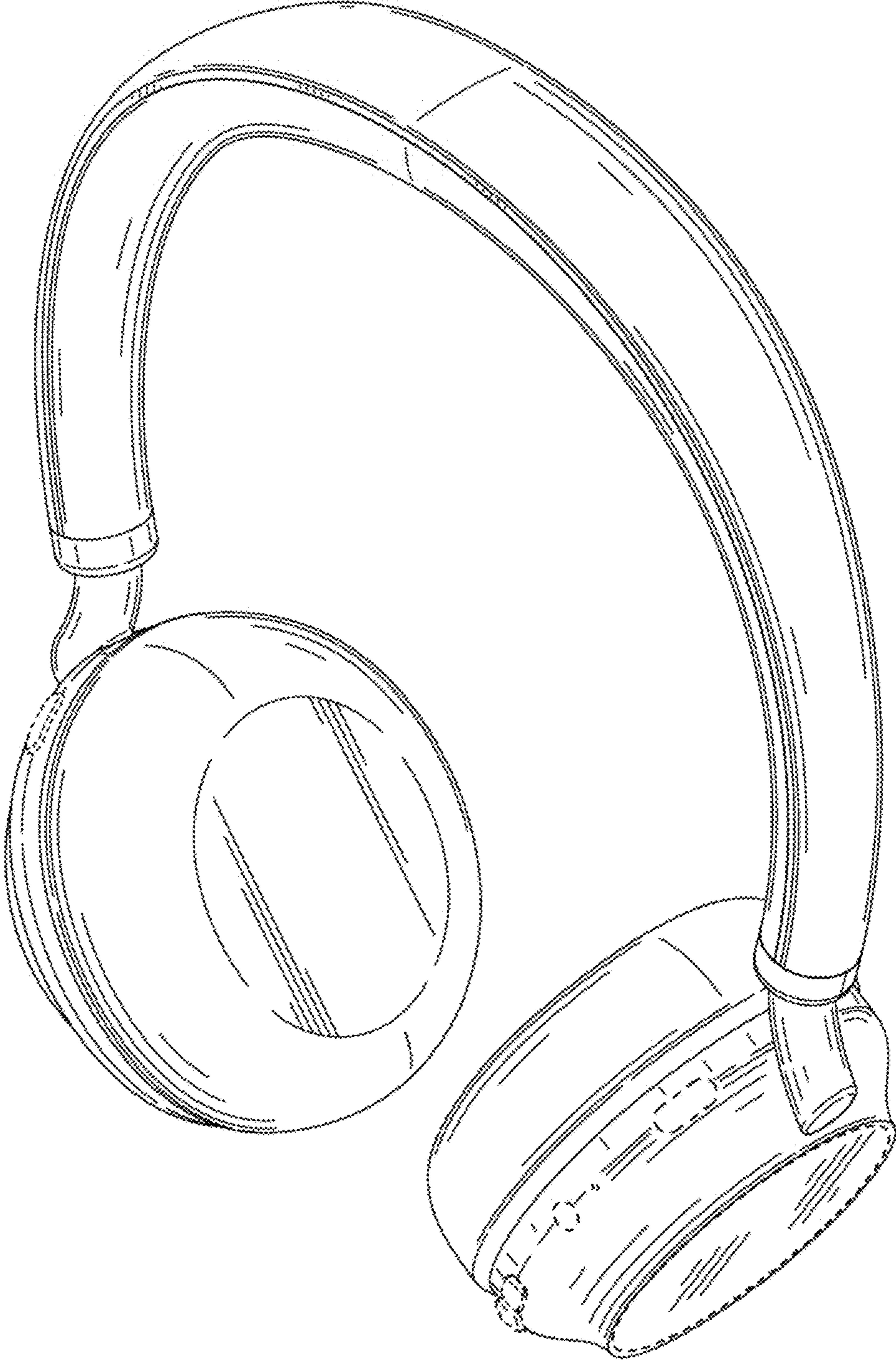


FIG. 1



FIG. 2



FIG. 3

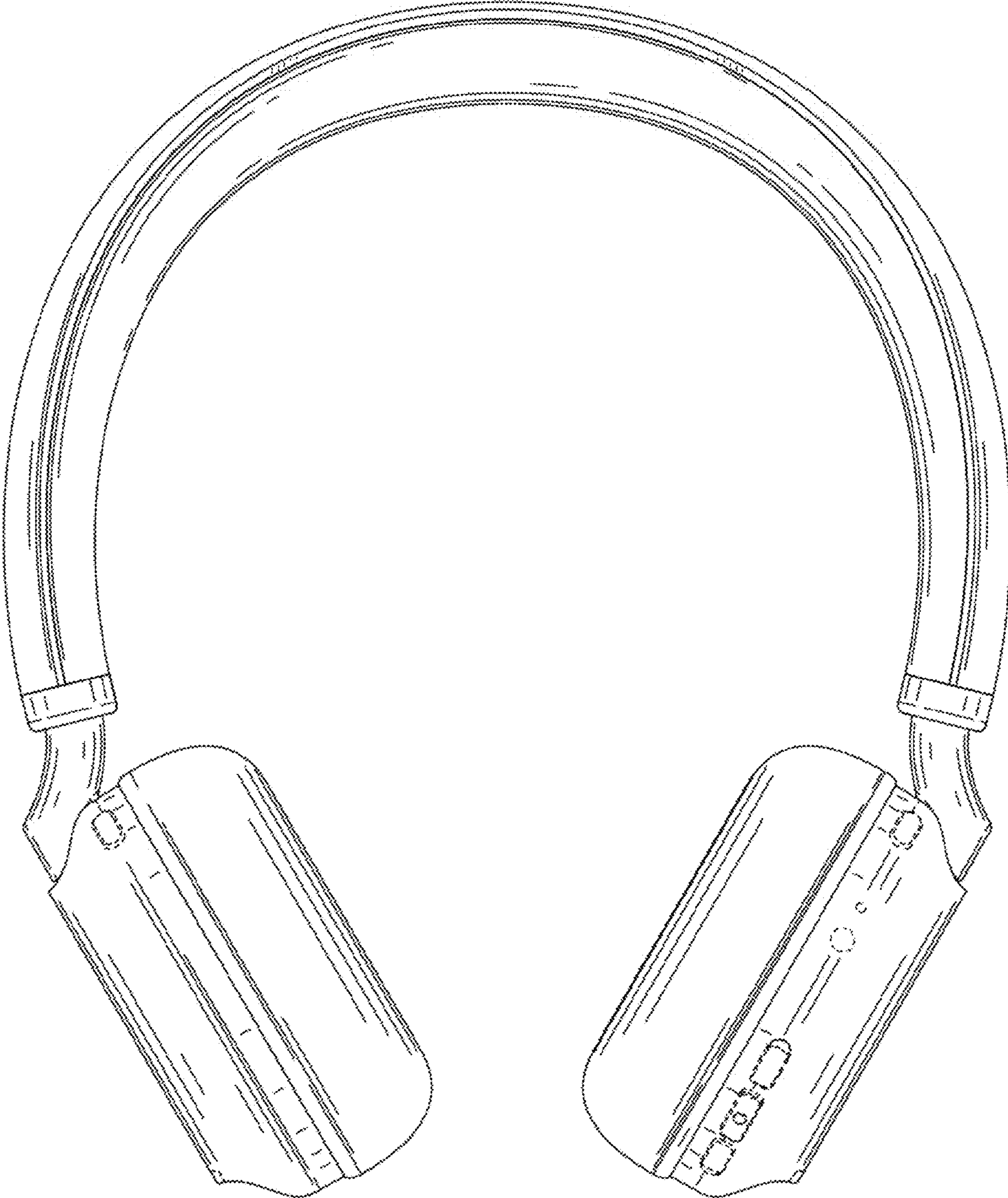


FIG. 4

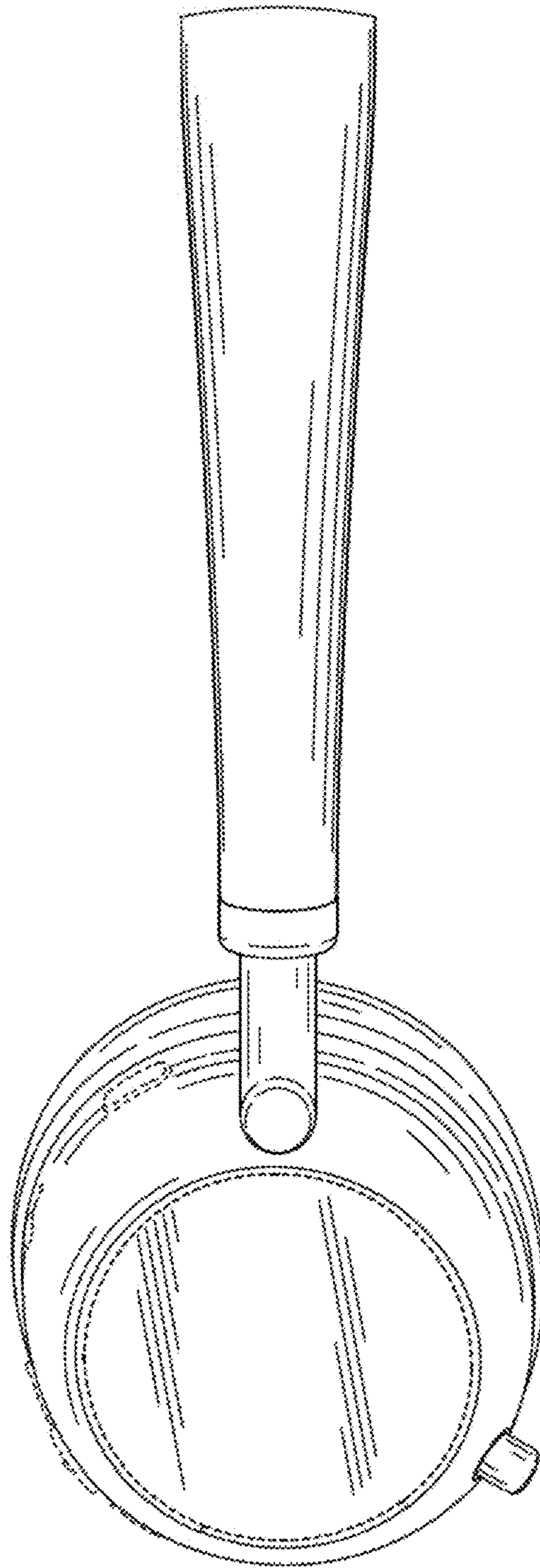


FIG. 5

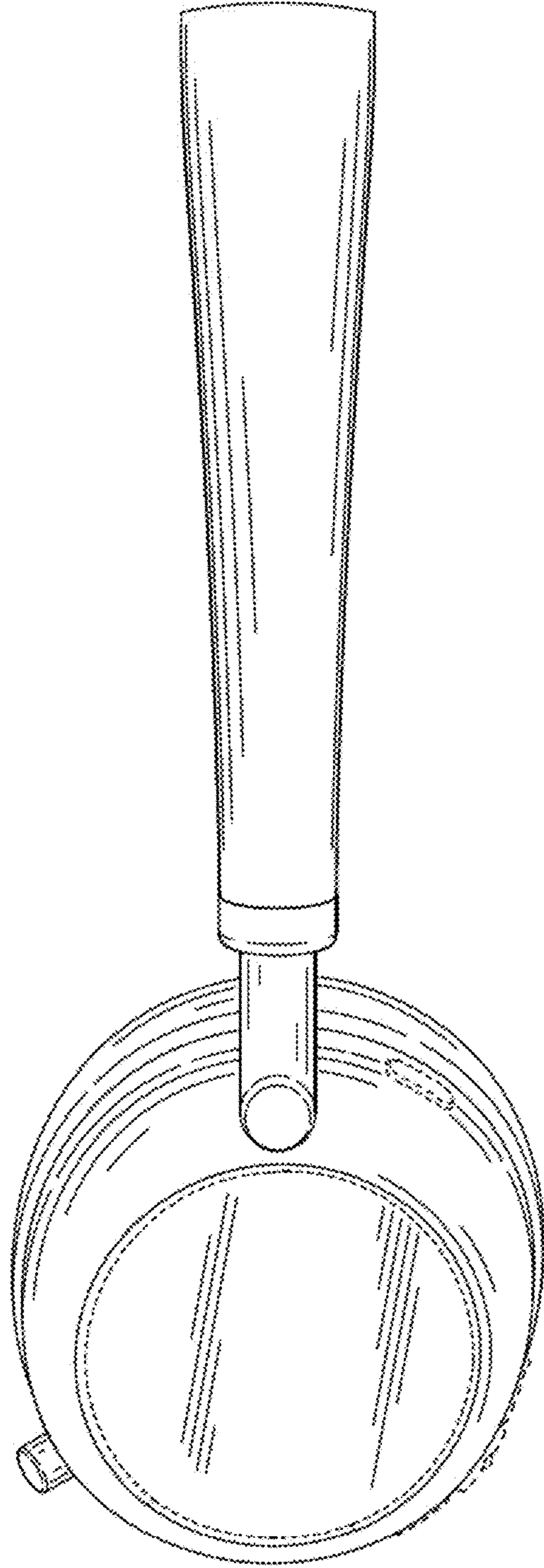


FIG. 6

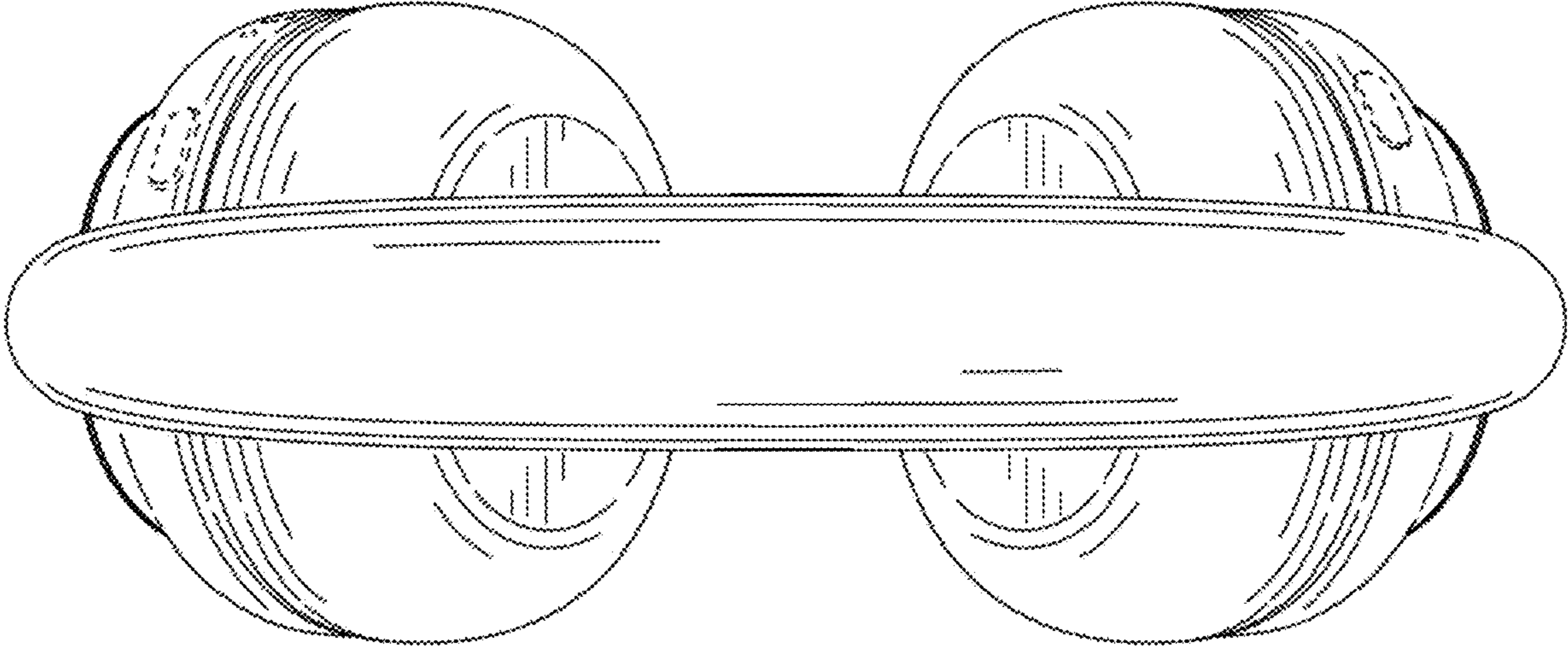


FIG. 7

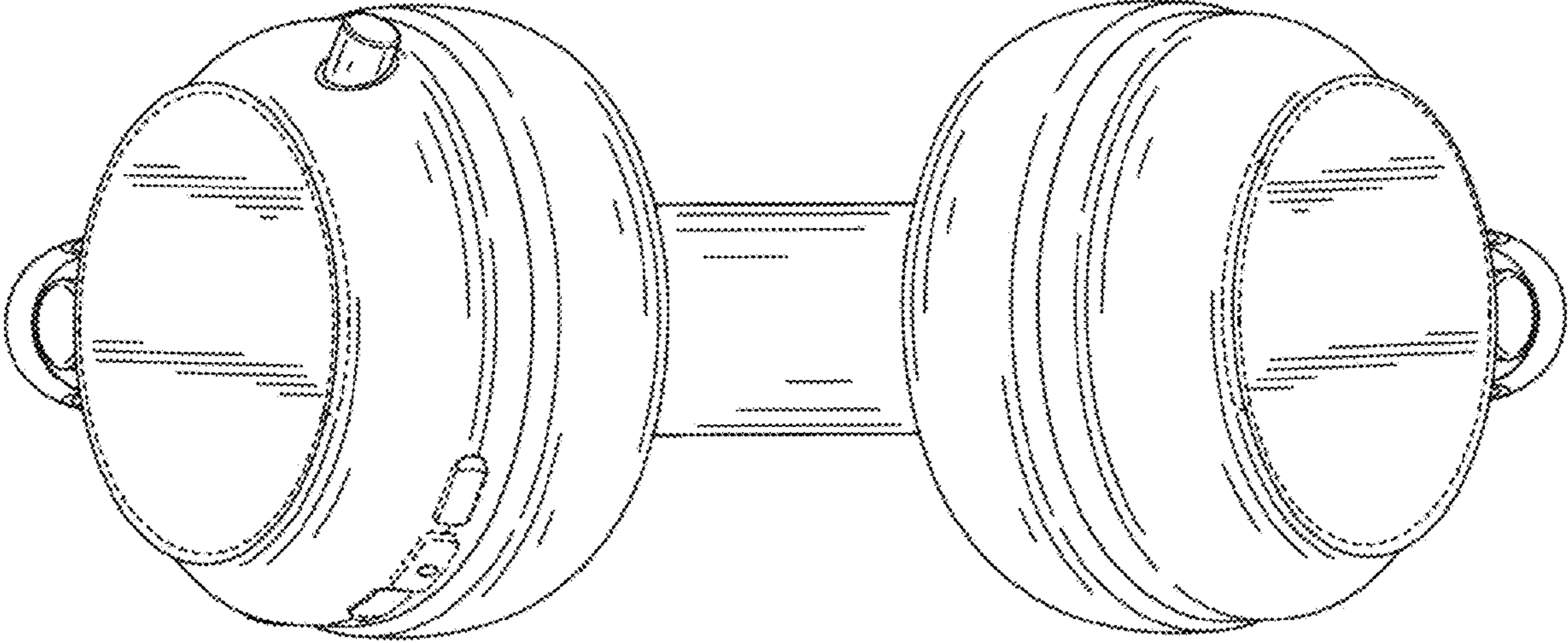


FIG. 8

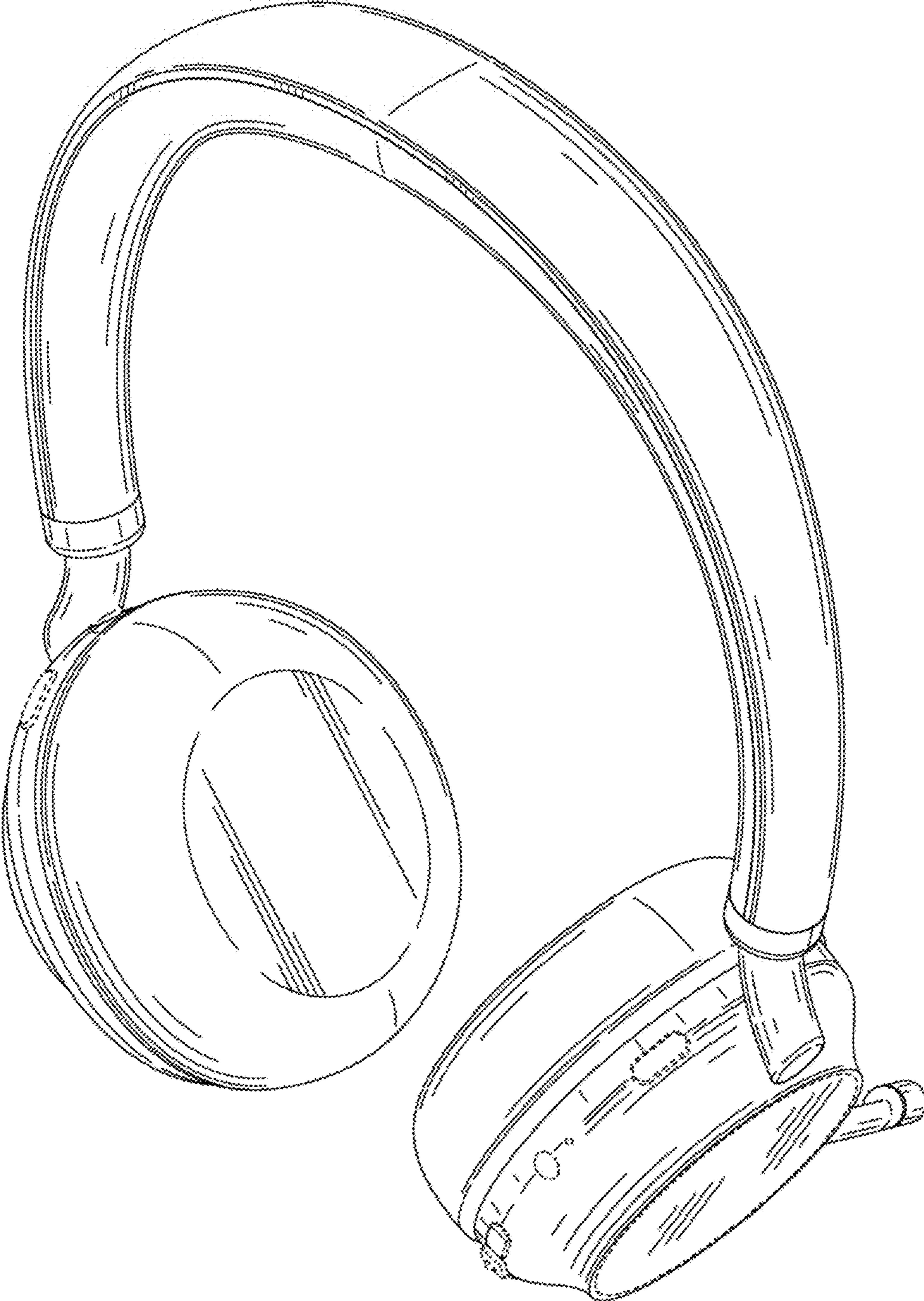


FIG. 9

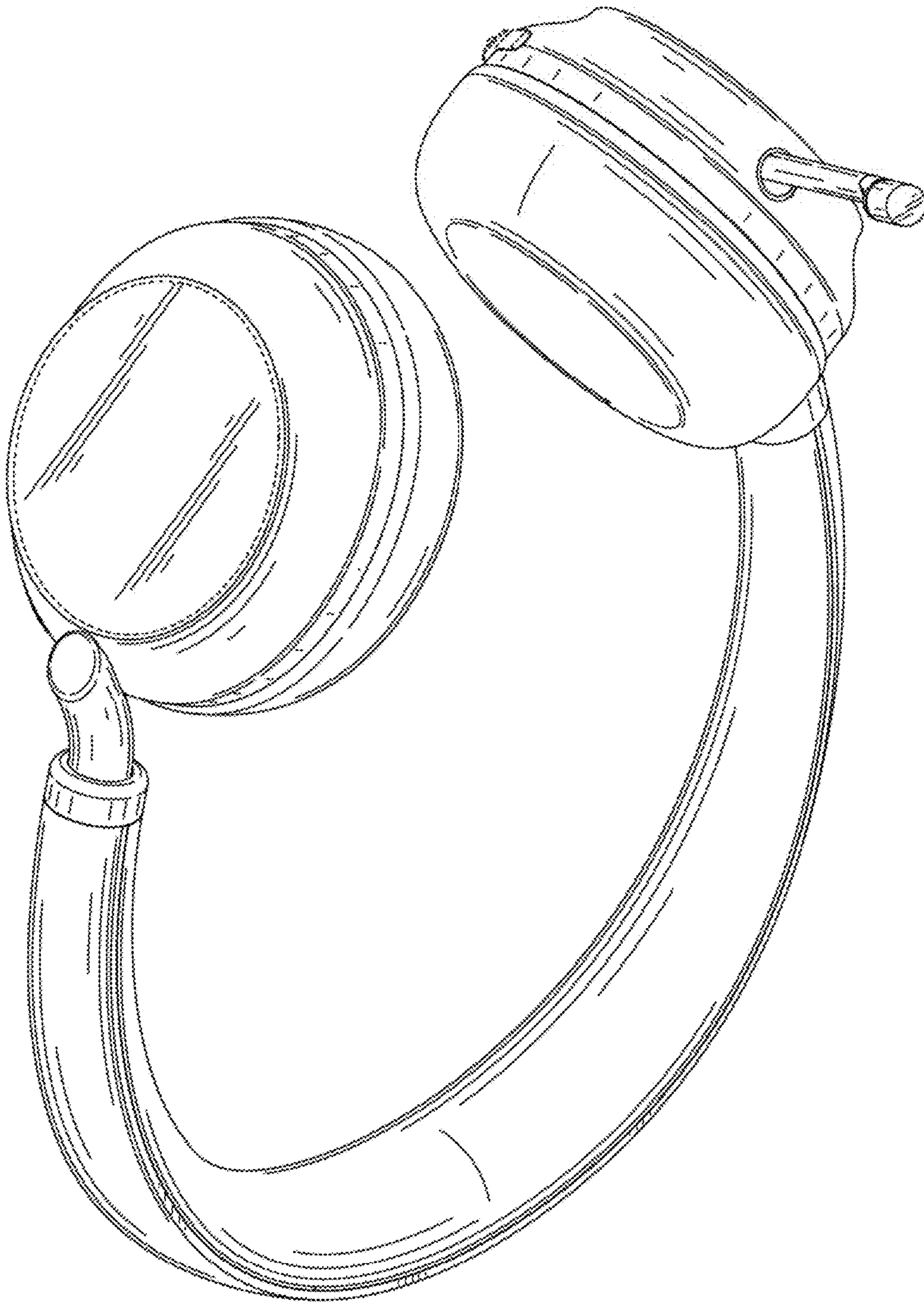


FIG. 10