



US00D987597S

(12) **United States Design Patent**
Lu et al.

(10) **Patent No.:** **US D987,597 S**
(45) **Date of Patent:** **** May 30, 2023**

(54) **WIRELESS SPEAKER**

D548,724 S 8/2007 Hakoda
D548,725 S 8/2007 Hakoda
D554,618 S 11/2007 Sogabe
(Continued)

(71) Applicant: **Amazon Technologies, Inc.**, Seattle,
WA (US)

(72) Inventors: **Wen-Yo Lu**, Pasadena, CA (US);
Matthew J. England, Santa Monica,
CA (US)

FOREIGN PATENT DOCUMENTS

CN 306367931 * 3/2021
CN 306422050 3/2021
(Continued)

(73) Assignee: **Amazon Technologies, Inc.**, Seattle,
WA (US)

OTHER PUBLICATIONS

(**) Term: **15 Years**

Amazon Echo Flex review, Aug. 20, 2020, [retrieved Jan. 12, 2023],
Retrieved from Internet, URL: <<https://www.techadvisor.com/article/720971/amazon-echo-flex-review-2.html>> (Year: 2020).*

(21) Appl. No.: **29/829,678**

(Continued)

(22) Filed: **Mar. 7, 2022**

Related U.S. Application Data

(62) Division of application No. 29/718,163, filed on Dec.
20, 2019, now Pat. No. Des. 945,979.

Primary Examiner — Messina L Smith

Assistant Examiner — Aram Kwon

(74) *Attorney, Agent, or Firm* — Lee & Hayes, P.C.

(51) **LOC (14) Cl.** **14-01**

(52) **U.S. Cl.**
USPC **D14/204**

(57) **CLAIM**

The ornamental design for a wireless speaker, as shown and
described.

(58) **Field of Classification Search**
USPC D14/155–159, 160–173, 187–188,
D14/189–198, 203.1–203.8, 204–216,
D14/217–222, 224–229, 251–253,
D14/257–258, 447–452, 457, 492, 496,
D14/498–506; D6/672–673, 675.1, 682
CPC H04R 1/02; H04R 1/021; H04R 1/025;
H04R 1/026; H04R 1/028; H04R 1/06;
H04R 1/105; H04R 1/323; H04R 1/403;
H04R 1/2803; H04R 1/2834
See application file for complete search history.

DESCRIPTION

FIG. 1 is a top, front, right-side perspective view of a
wireless speaker;
FIG. 2 is a bottom, front, left-side perspective view thereof;
FIG. 3 is a top, back, right-side perspective view thereof;
FIG. 4 is a front view thereof;
FIG. 5 is a back view thereof;
FIG. 6 is a left-side view thereof;
FIG. 7 is a right-side view thereof;
FIG. 8 is a top view thereof; and,
FIG. 9 is a bottom view thereof.

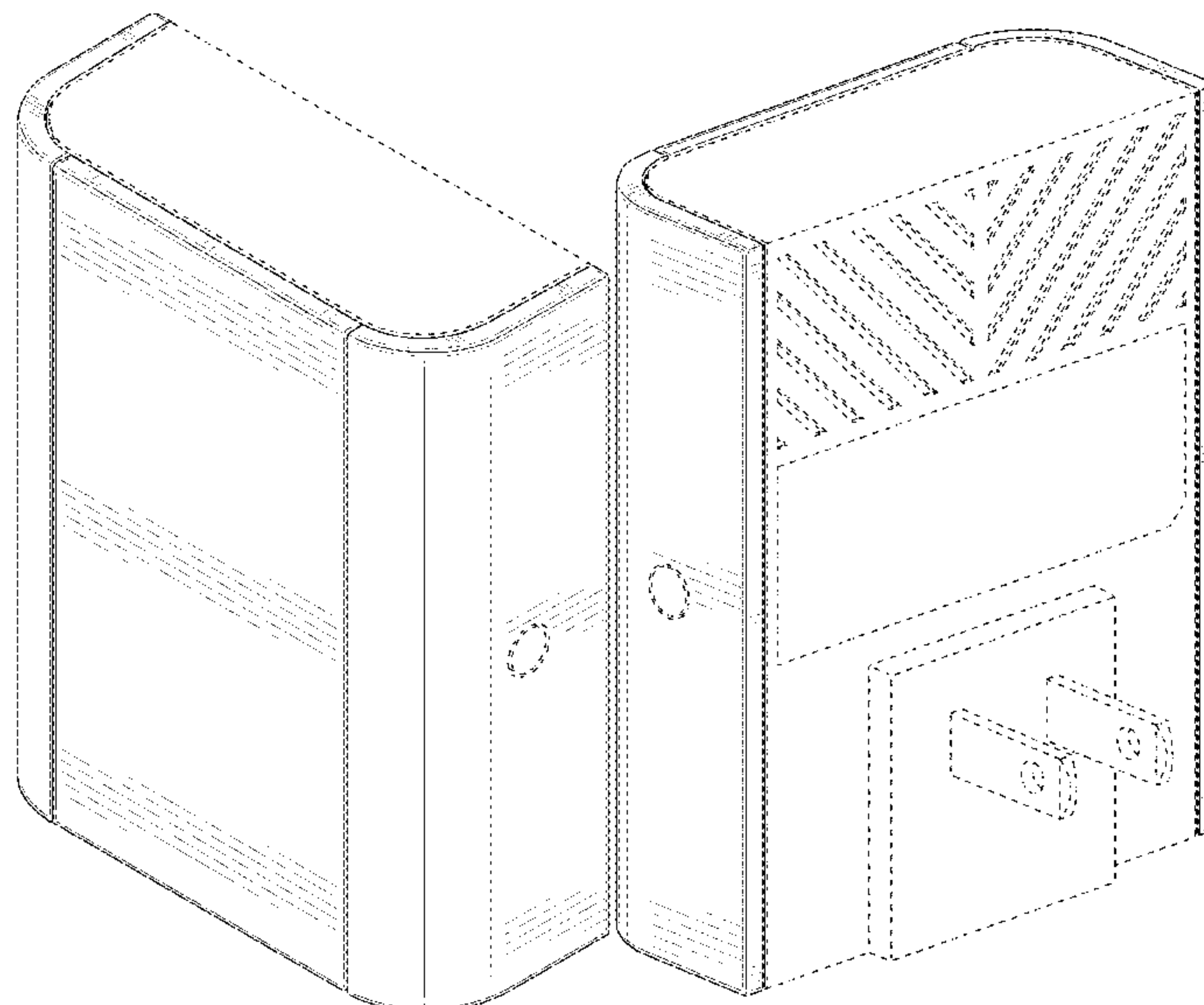
The dashed broken lines depict portions of the wireless
speaker that form no part of the claimed design.

(56) **References Cited**

U.S. PATENT DOCUMENTS

D521,447 S * 5/2006 Ono D13/103
D537,070 S 2/2007 Warden

1 Claim, 9 Drawing Sheets



(56)

References Cited

U.S. PATENT DOCUMENTS

D565,541 S 4/2008 Han et al.
 D565,544 S 4/2008 Han et al.
 D566,685 S * 4/2008 Koller D14/188
 D634,269 S 3/2011 Griffin, Jr.
 D695,717 S 12/2013 Carpenter et al.
 D719,862 S * 12/2014 Fiedler D10/106.95
 D726,179 S * 4/2015 Orthey D14/420
 D728,477 S 5/2015 Meyer
 D737,758 S 9/2015 Takeshita et al.
 D800,695 S * 10/2017 Sugiura D14/210
 D839,853 S * 2/2019 Garrett D14/215
 10,304,296 B2 5/2019 Tso
 D854,958 S * 7/2019 Siminoff D10/118.2
 D856,838 S * 8/2019 Siminoff D10/118.2
 D860,176 S * 9/2019 Siminoff D14/240
 D866,379 S * 11/2019 Siminoff D10/118.2
 D866,380 S * 11/2019 Siminoff D10/118.2
 D866,381 S * 11/2019 Siminoff D10/118.2
 10,499,011 B2 12/2019 Siminoff et al.
 D889,301 S * 7/2020 Siminoff D10/118.2
 D892,114 S * 8/2020 Siminoff D14/383
 D901,471 S * 11/2020 Siminoff D14/240
 D902,925 S 11/2020 Li et al.
 D924,135 S 7/2021 England et al.
 D926,066 S * 7/2021 England D10/118.2
 D933,039 S 10/2021 Johnson
 D937,277 S * 11/2021 Recker D14/443
 D942,451 S * 2/2022 Lu D14/383
 D945,979 S * 3/2022 Lu D14/204
 D957,280 S * 7/2022 England D10/118.2
 D960,122 S * 8/2022 Lu D14/204
 D968,405 S * 11/2022 Lu D14/383
 2021/0099676 A1 * 4/2021 England H04N 23/90

FOREIGN PATENT DOCUMENTS

JP 2020011399 A 1/2020
 JP 2020011400 A 1/2020
 JP 2020011401 A 1/2020
 JP 2020011402 A 1/2020
 JP 2020011403 A 1/2020
 JP 2020011537 A 1/2020
 JP 2020011538 A 1/2020
 JP 2020011539 A 1/2020
 JP 2020011540 A 1/2020
 JP 2020011541 A 1/2020
 JP D1680869 3/2021
 JP D1680870 * 3/2021
 JP D1680917 3/2021
 JP D1680918 3/2021

OTHER PUBLICATIONS

The compact Echo Flex, Aug. 17, 2020, [retrieved Jan. 12, 2023], Retrieved from Internet, URL: <<https://www.cnn.com/cnn-underscored/reviews/amazon-echo-flex>> (Year: 2020).*

Amazon's Echo Flex is a smart speaker, Dec. 9, 2019, [retrieved Jan. 12, 2023], Retrieved from Internet, URL: <<https://www.theverge.com/2019/12/9/21001146/amazon-echo-flex-alexa-smart-speaker-review-price-specs-features>> (Year: 2019).*

Echo Flex Review: A \$25 plug-it-in Alexa speaker, Dec. 7, 2019, [retrieved Jan. 12, 2023], Retrieved from Internet, URL: <<https://www.digitaltrends.com/home/echo-flex-review/>> (Year: 2019).*

Chinese Office Action dated Sep. 10, 2020 for Chinese Patent Application No. 202030306294.7, a counterpart of the U.S. Appl. No. 29/718,163, 1 page.

Japanese Office Action dated Aug. 25, 2020 for Japanese Design Application No. 2020-011537, a counterpart foreign application of the Design U.S. Appl. No. 29/718,163, 2 pages.

Japanese Office Action dated Aug. 25, 2020 for Japanese Design Application No. 2020-011538, a counterpart foreign application of the Design U.S. Appl. No. 29/718,163, 2 pages.

Japanese Office Action dated Aug. 25, 2020 for Japanese Design Application No. 2020-011539, a counterpart foreign application of the Design U.S. Appl. No. 29/718,163, 2 pages.

Japanese Office Action dated Aug. 25, 2020 for Japanese Design Application No. 2020-011540, a counterpart foreign application of the Design U.S. Appl. No. 29/718,163, 2 pages.

Japanese Office Action dated Aug. 25, 2020 for Japanese Design Application No. 2020-011541, a counterpart foreign application of the Design U.S. Appl. No. 29/718,163, 2 pages.

Japanese Office Action dated Aug. 25, 2020 for Japanese Design Application No. 2020-011399, a counterpart foreign application of the Design U.S. Appl. No. 29/718,169, 2 pages.

Japanese Office Action dated Aug. 25, 2020 for Japanese Design Application No. 2020-011400, a counterpart foreign application of the Design U.S. Appl. No. 29/718,169, 2 pages.

Japanese Office Action dated Aug. 25, 2020 for Japanese Design Application No. 2020-011401, a counterpart foreign application of the Design U.S. Appl. No. 29/718,169, 2 pages.

Japanese Office Action dated Aug. 25, 2020 for Japanese Design Application No. 2020-011402, a counterpart foreign application of the Design U.S. Appl. No. 29/718,169, 2 pages.

Japanese Office Action dated Aug. 25, 2020 for Japanese Design Application No. 2020-011403, a counterpart foreign application of the Design U.S. Appl. No. 29/718,169, 2 pages.

Mims, "Amazon and Apple Built Vast Wireless Networks Using Your Devices. Here's How They Work." retrieved on Jun. 1, 2021, at <https://www.wsj.com/articles/amazon-apple-wireless-networks-sidewalk-find-my-11620397704>, Wall Street Journal, May 7, 2021, 9 pages.

Office Action for U.S. Appl. No. 29/718,169, dated Jan. 7, 2022, Lu, "Wireless Speaker and Range Extender Device", 7 pages.

Office Action for U.S. Appl. No. 29/718,169, dated Jun. 10, 2021, Lu, "Wireless Speaker and Range Extender Device", 10 pages.

Office Action for U.S. Appl. No. 29/718,163, dated Jun. 24, 2021, Lu, "Wireless Speaker", 8 pages.

Seifert, "Amazon's Echo Flex is a smart speaker for very specific needs." retrieved Jun. 1, 2021, <https://www.theverge.com/2019/12/9/21001146/amazon-echo-flex-alexa-smart-speaker-review-price-spec-features>, The Verge, Dec. 9, 2019, 9 pages.

* cited by examiner

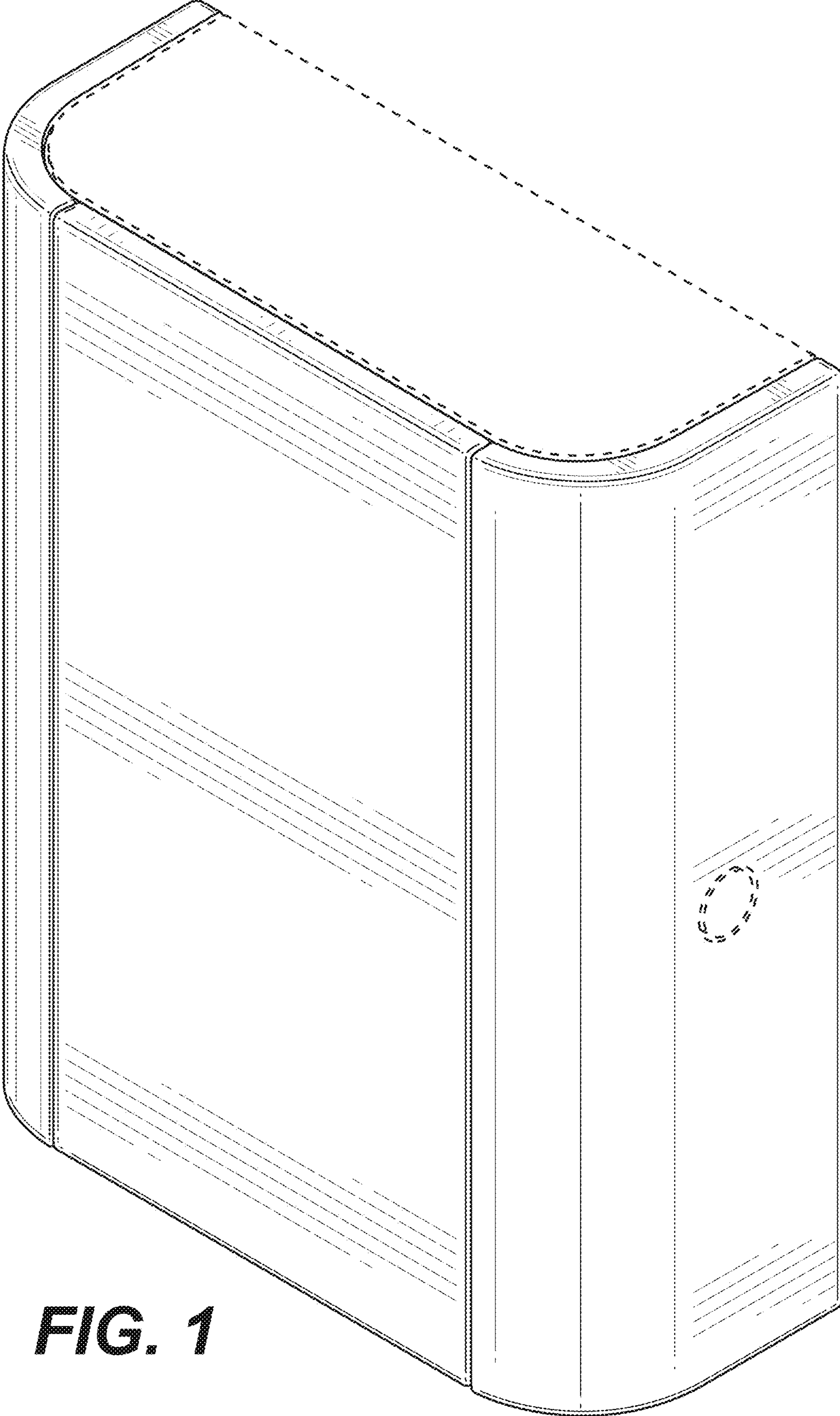


FIG. 1

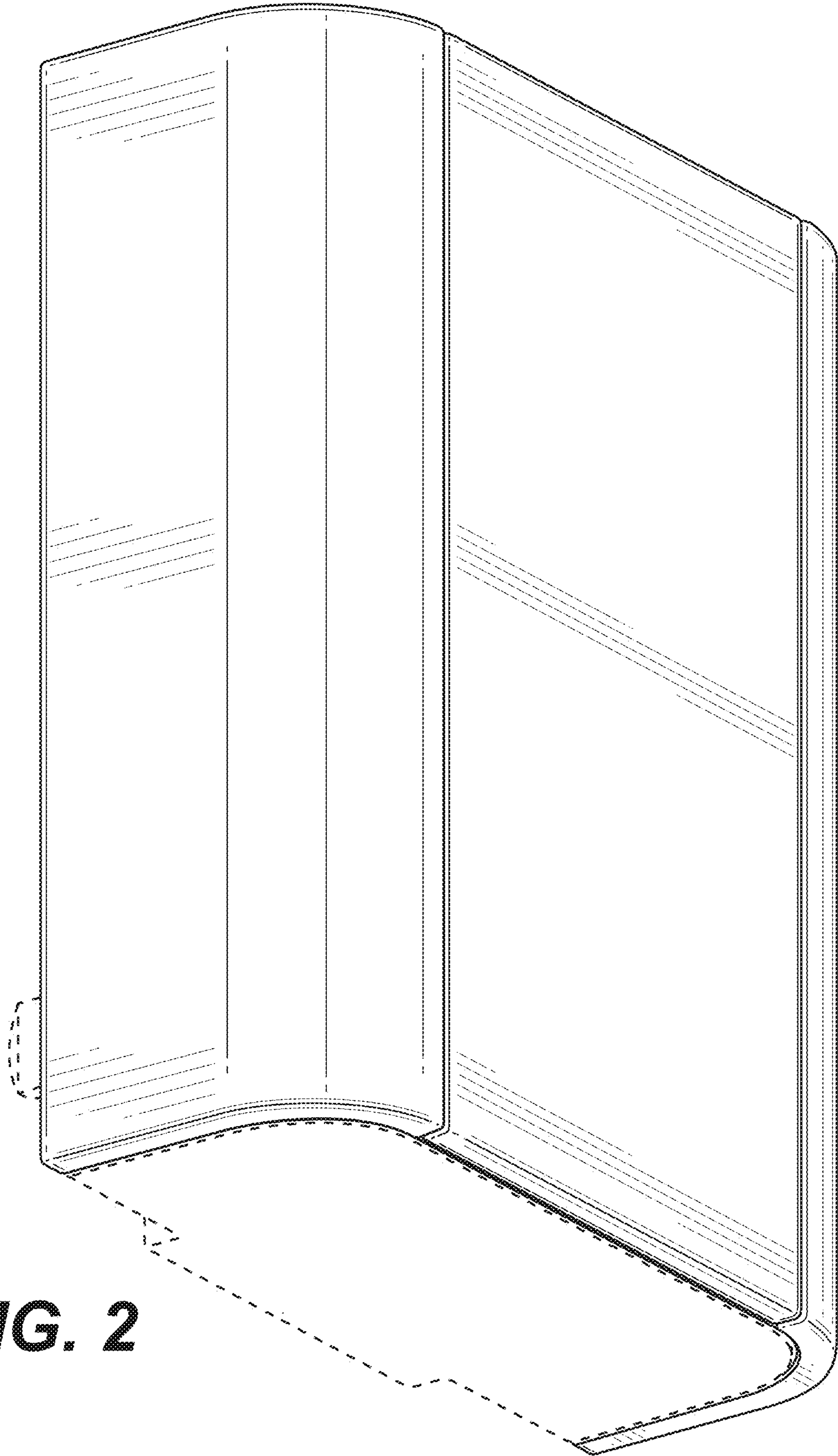


FIG. 2

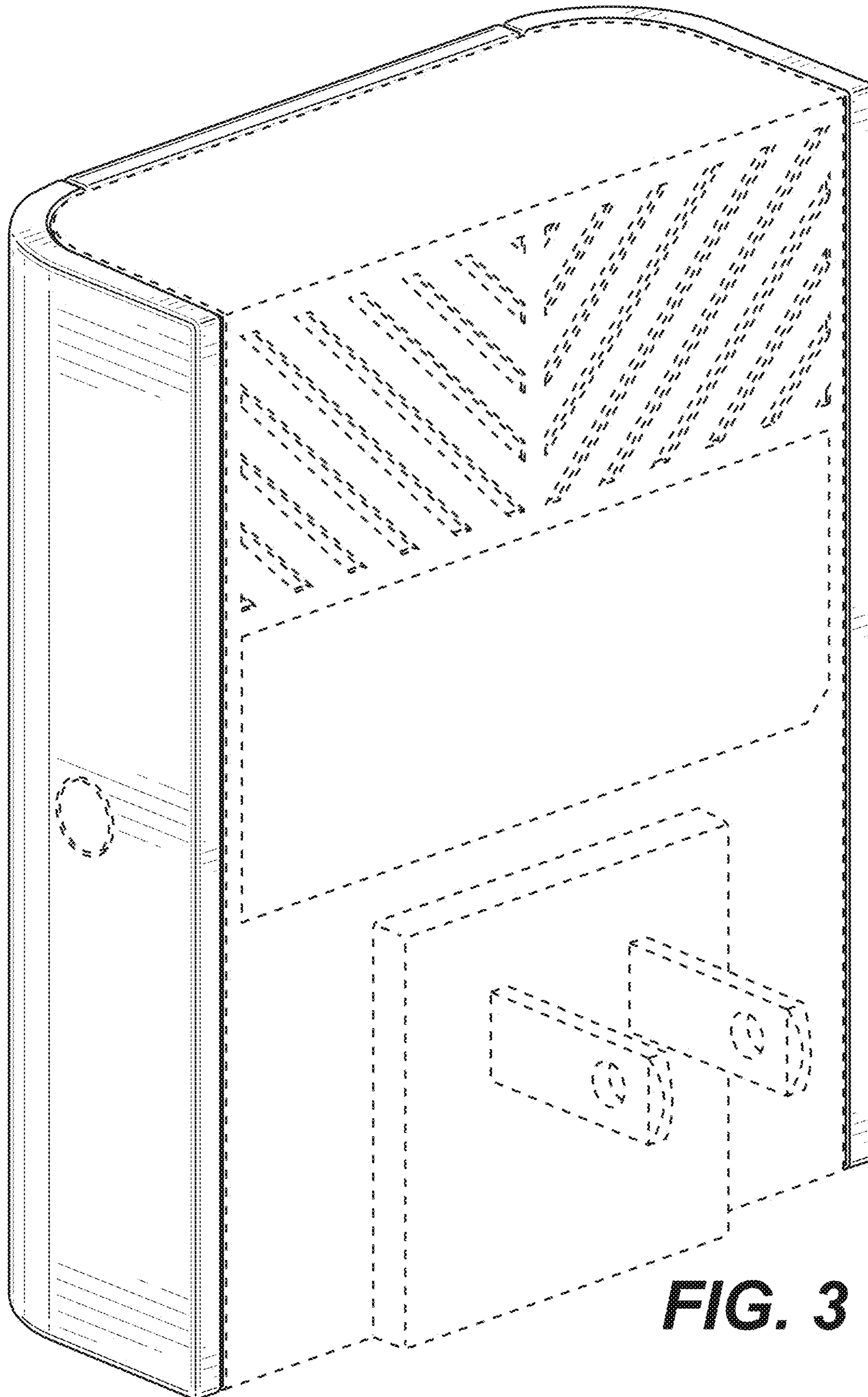


FIG. 3

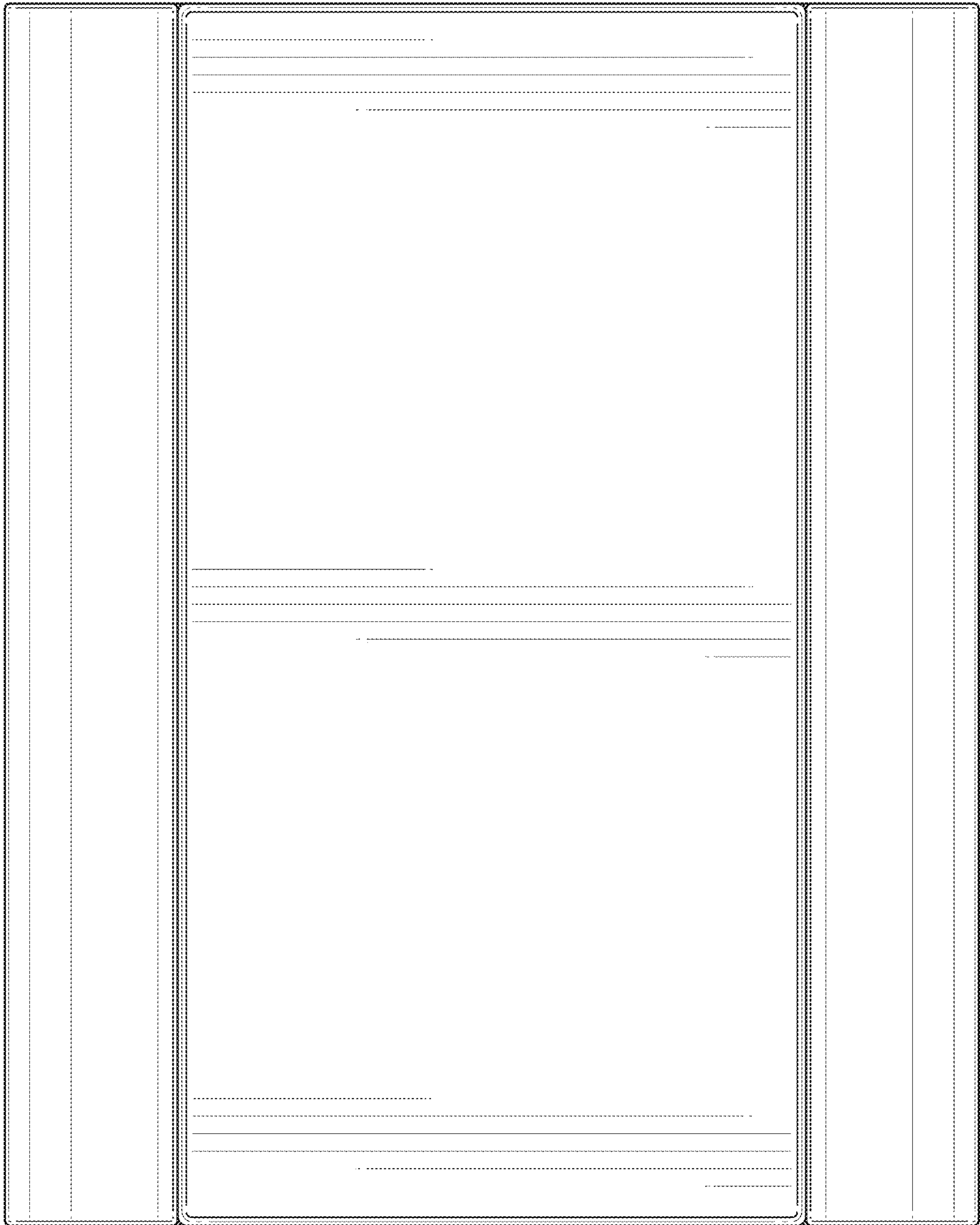


FIG. 4

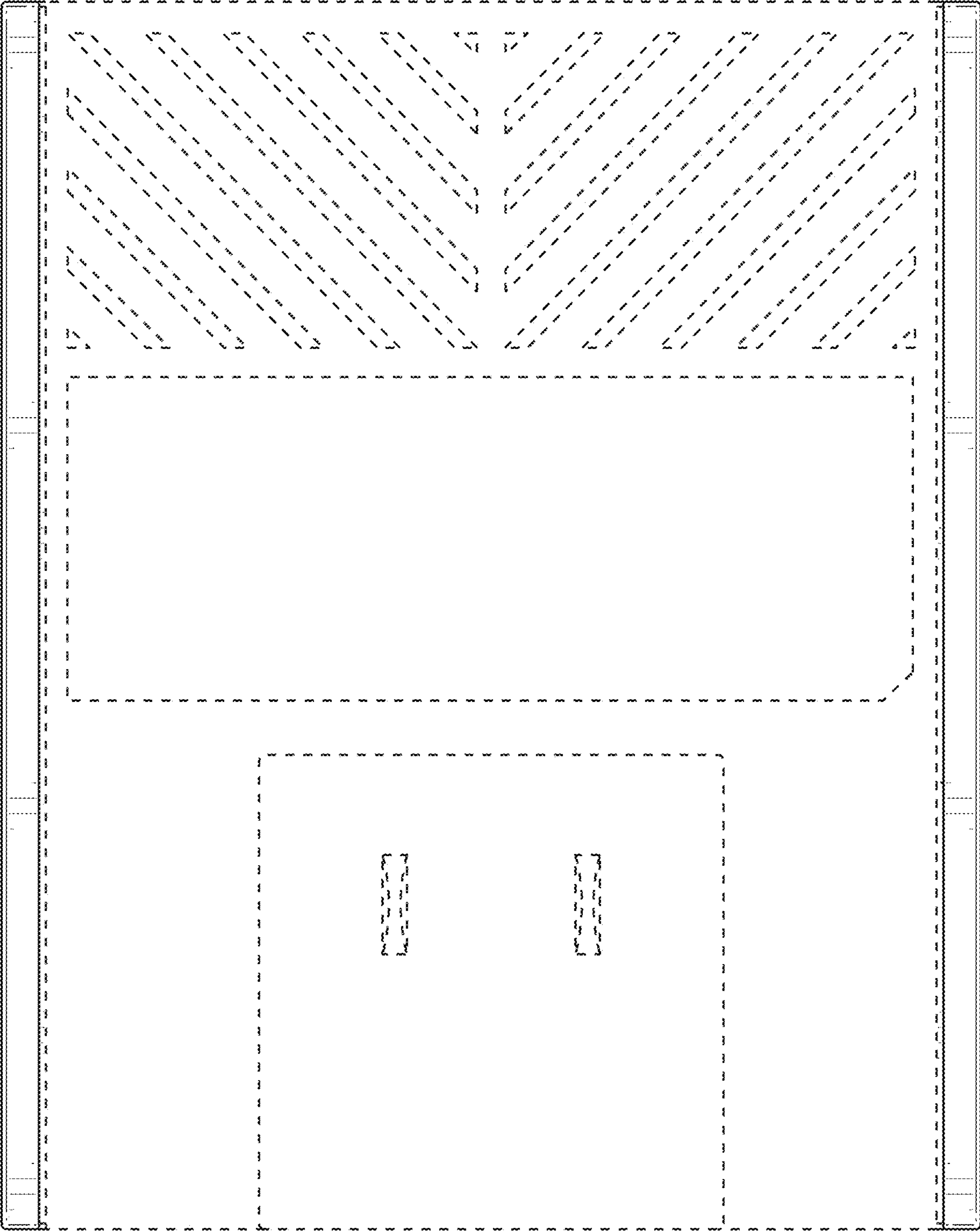


FIG. 5

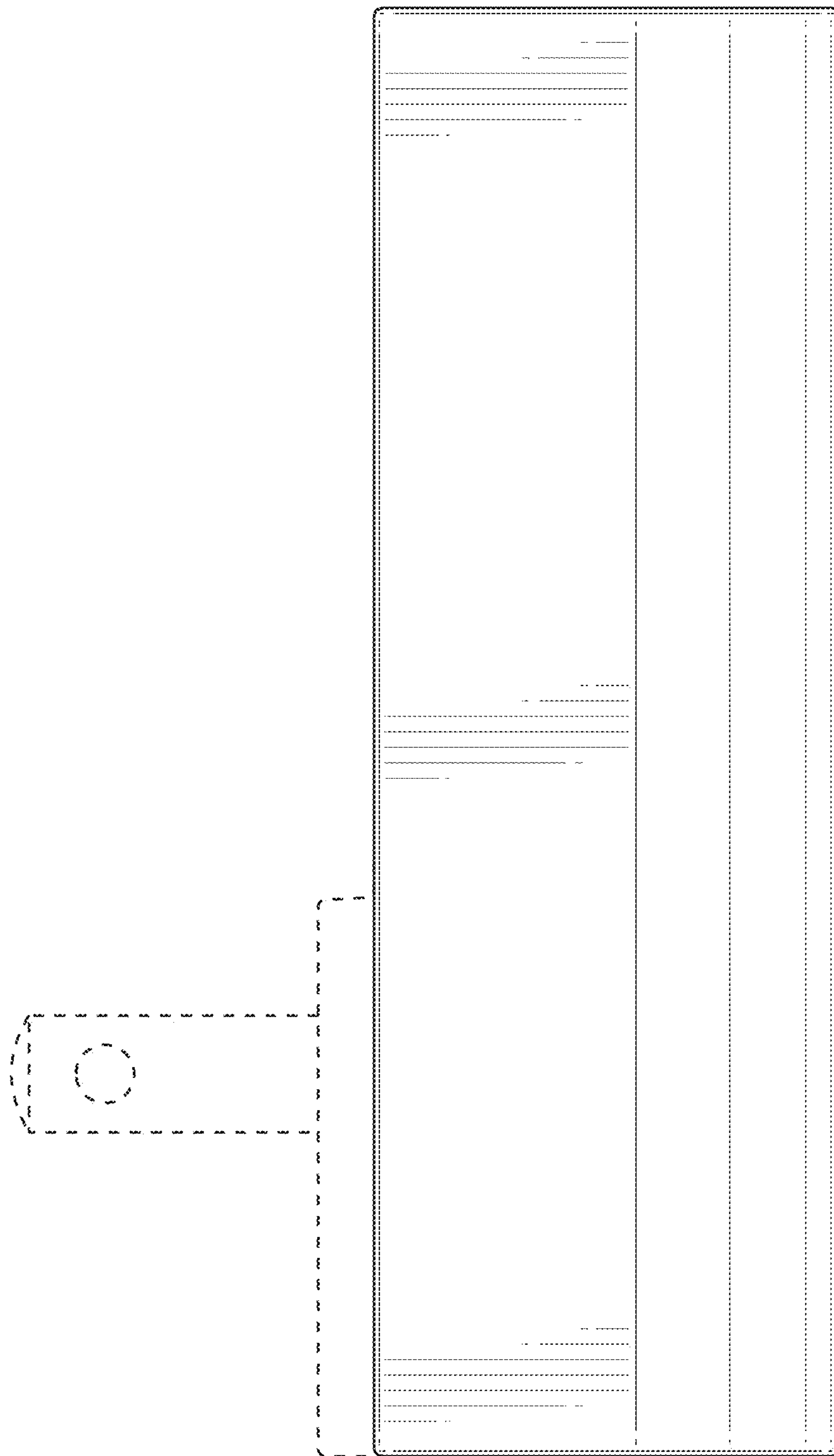


FIG. 6

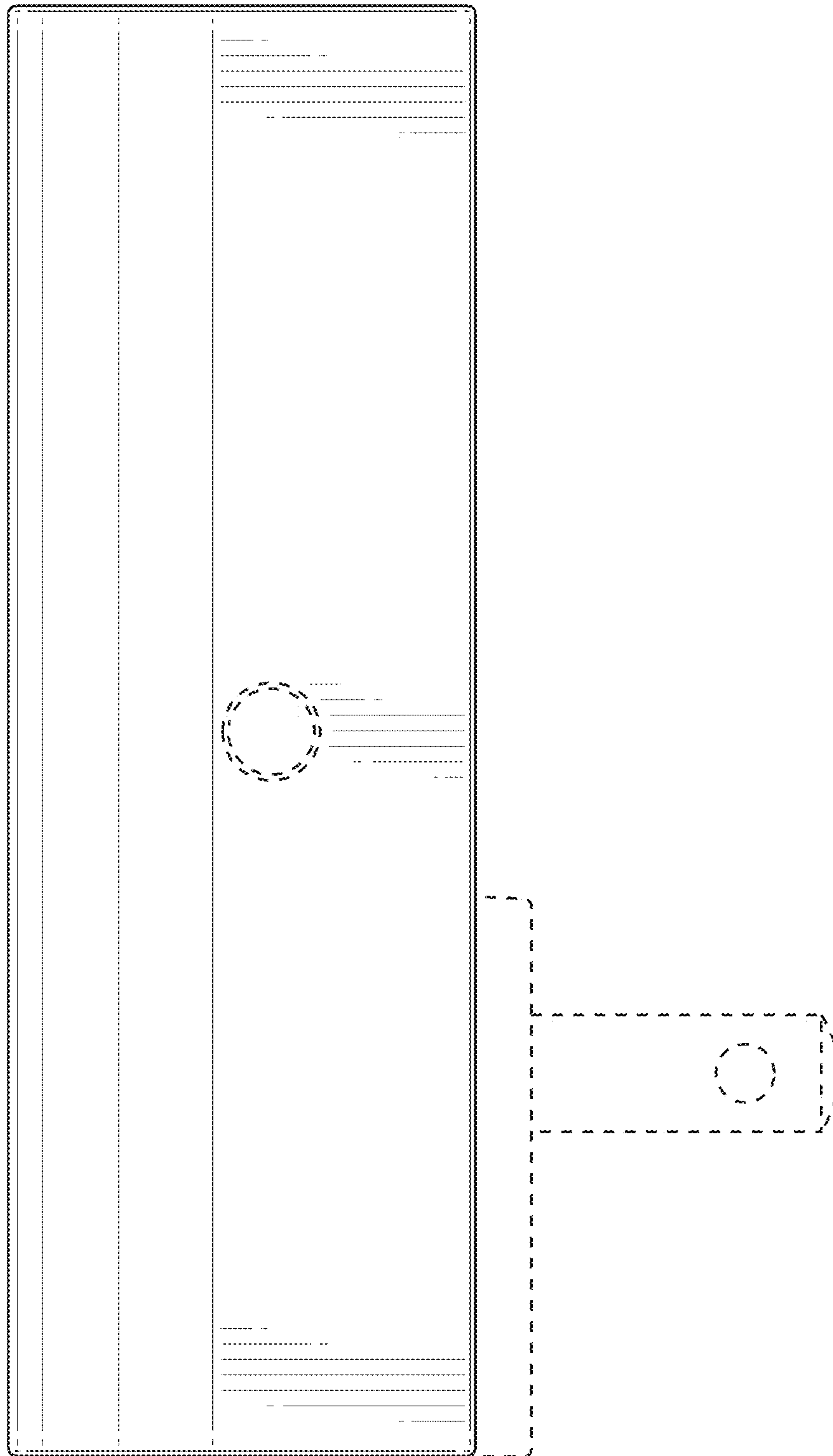


FIG. 7

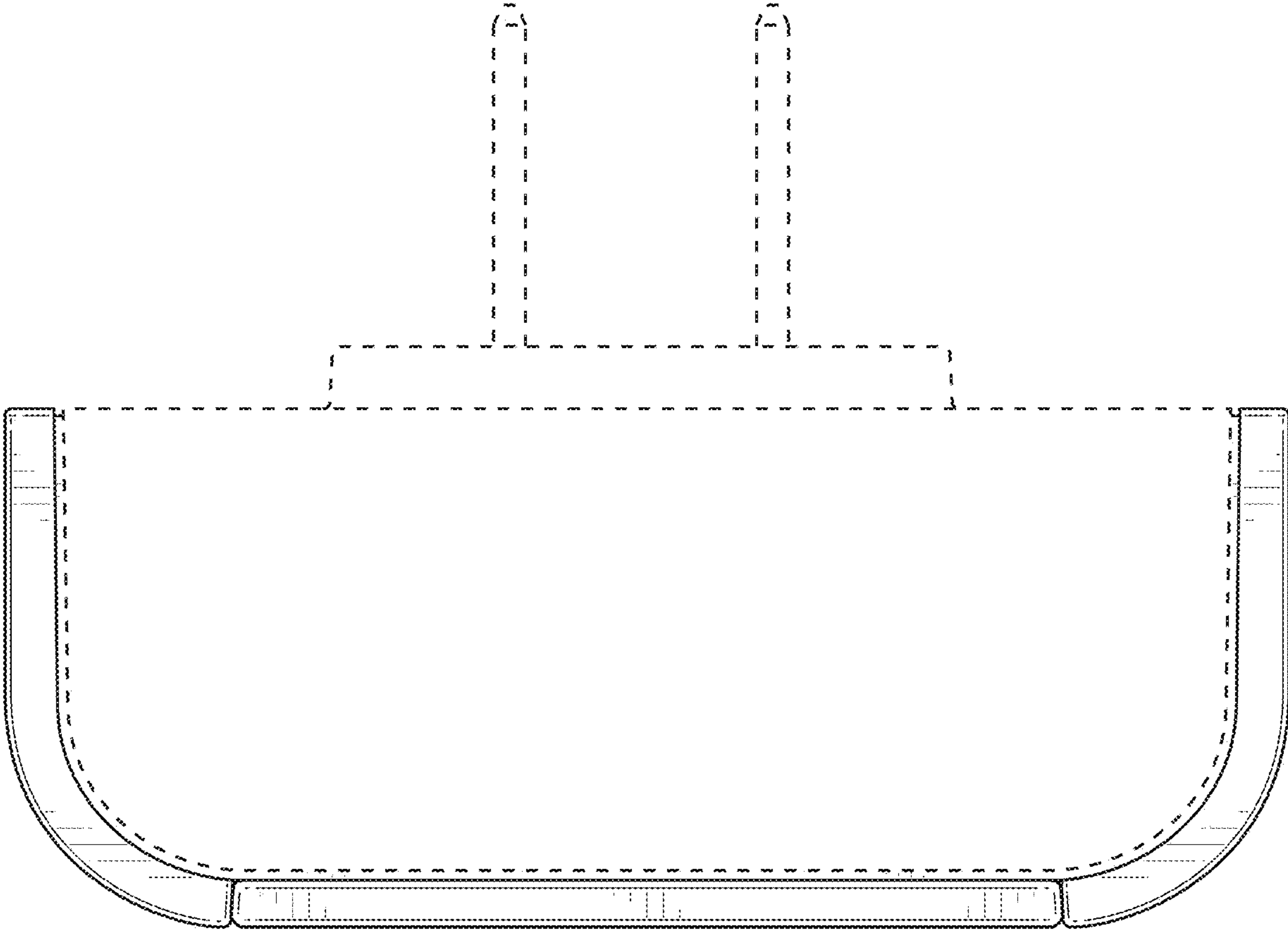


FIG. 8

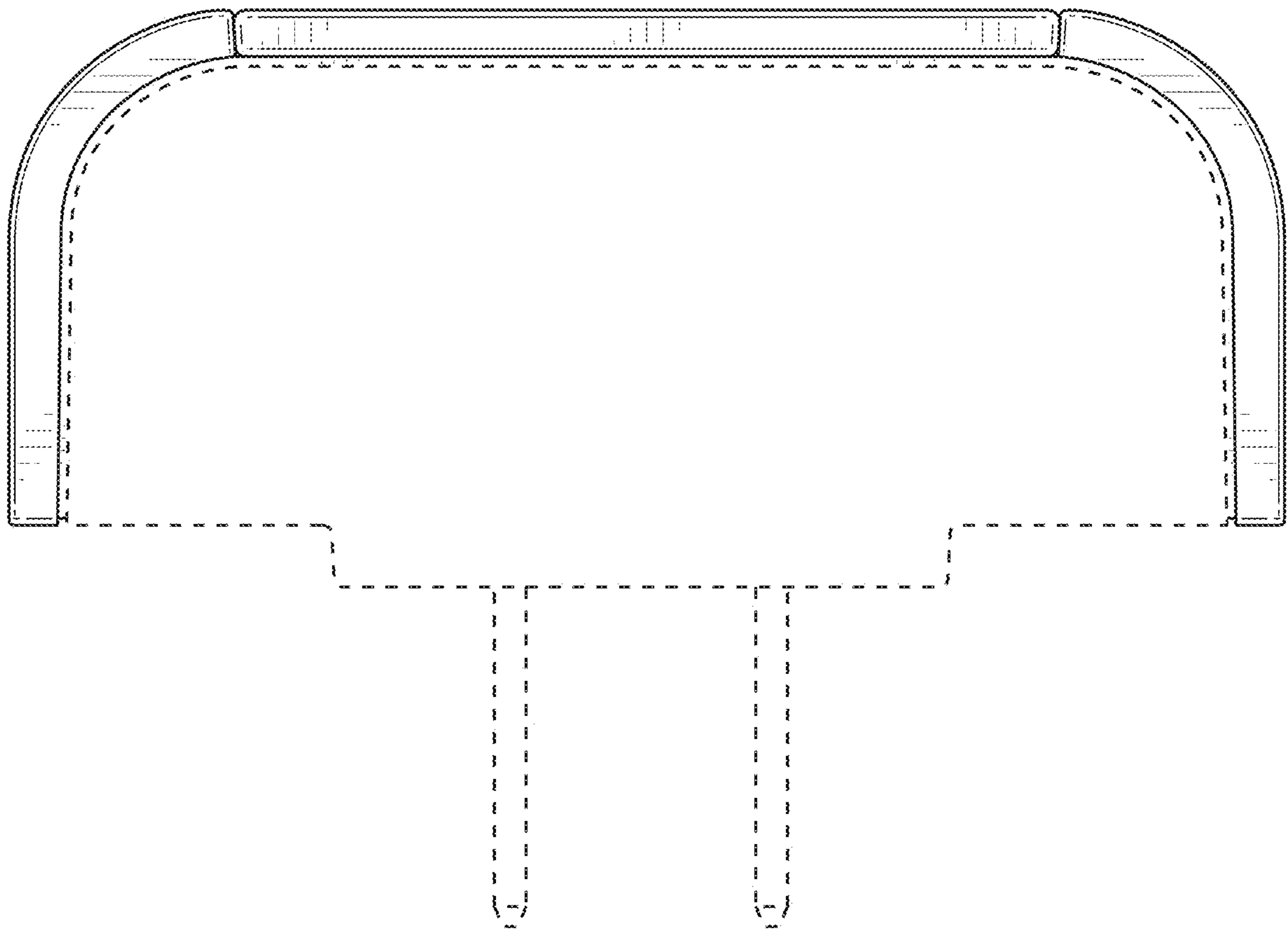


FIG. 9